

SUZOHAPP

Product Specifications

NANE: RF Controller (Aluminum version)

MODEL: QL0064-1



Summarization

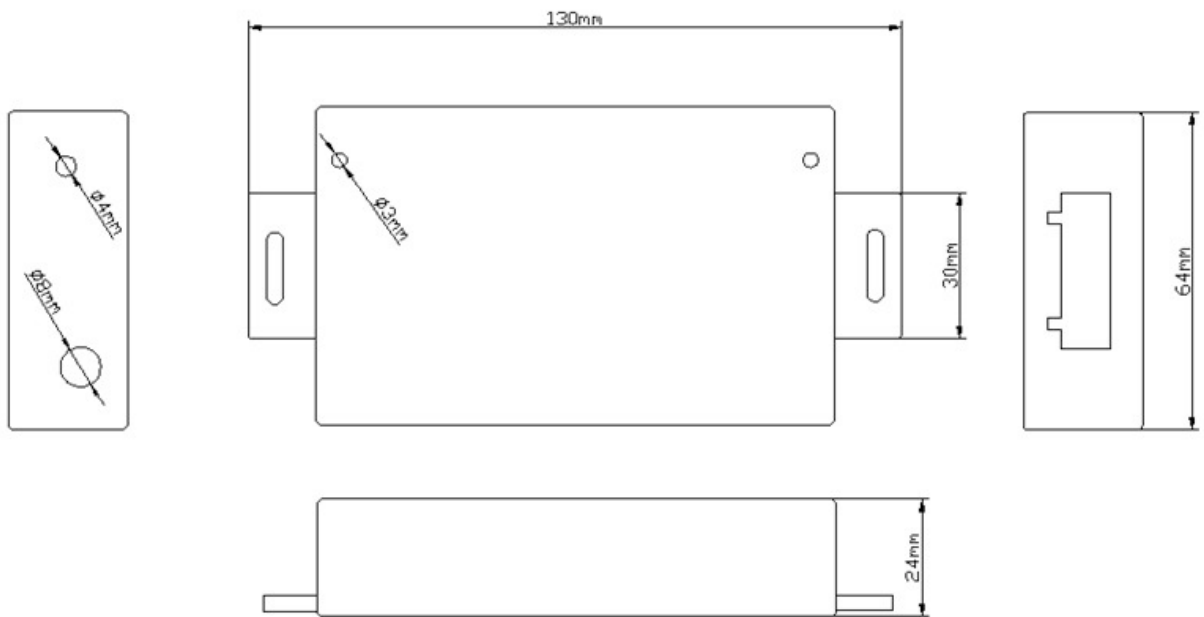
RF controller adopts the advanced micro control unit, it is used for controlling a variety of lamp whose source of light is LED. For instance, point source of light, flexible light strip, wall washer lamp, glass curtain wall light and so on; At the same time, it has many advantages such as convenient to connect, simplicity to use and others. According to actual need of customers, it can carry out jumpy changing, gradual changing, stroboflash and other effects of change.

Technical parameters

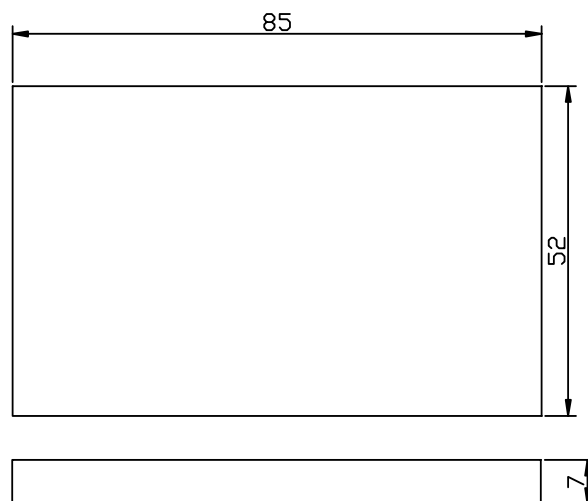
- Working temperature: -20-60 °C
- Supply voltage: DC5V, 12V-24V <optional> (for orders specify voltage)
- Output: 3 channels
- Transmission/receiving frequency: 433MHz
- Controller dimension: L128 X W64 X H24 mm
- Remote control dimension: L85 X W52 X H7 mm
- Packing size: L145 X W95 X H50mm
- Net weight: 165g

- Gross weight: 205g
- Static power consumption: <1 W
- Output current: <4 A (each channel)
- Output power: 5 V: <60W, 12V: <144W, 24V: <288W

Controller External Dimension:



Remote Control External Dimension:



Interface Specifications

Power input interface (the first way):



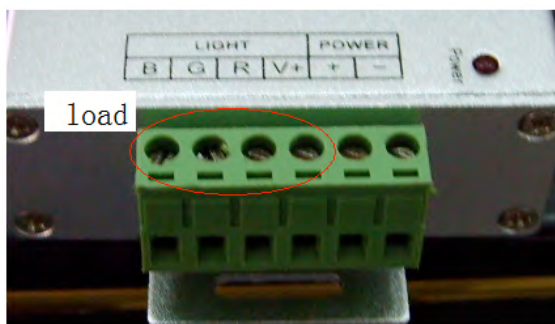
Adopt conventional DC power Transposon as power input interface, and equip with plug-DC

Power input interface (the second way):



Adopt male and female connector with screw.

Load output interface:



Adopt male and female connector with screw.

Direction for use

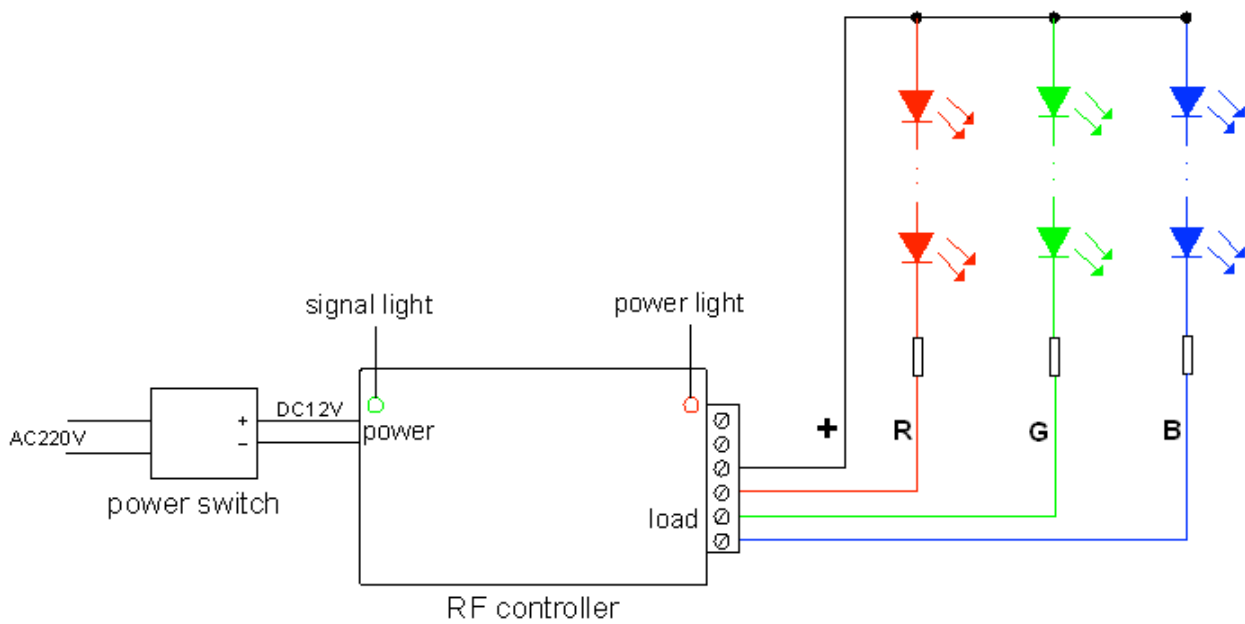
1. Connect the load wire at first, following by the power wire; **Please ensure short circuit can not occur between connecting wire before you turn on the power;**
2. Standard change functions are as follows:

Button	Button description	remarks
	ON/OFF	you could turn on or turn off the output of controller
	Play/Stop	Play or stop led changing, easy to observe led static effect
	Brightness increase	the brightness series will add once you press it
	Brightness decrease	The brightness series will reduce once you press it
RED	Static red	Brightness is adjustable,Speed is unadjustable.
GREEN	Static Green	
BLUE	Static Blue	
WHITE	Static white	
ORANGE	Static Orange	
YELLOW	Static Yellow	
CYAN	Static cyan	
PURPLE	Static Pink	

AUTO	Automation	Moving all the modles automationly
JUMP3	3 Color step change	Speed and brightness are adjustable
FADE3	3 Color fade change	Speed is adjustable,brightness is unadjustable
SPEED+	Speed increase	The speed will add once when you press it.
FLASH	Seven colors flash frequency	Speed and brightness are adjustable
JUMP7	7 Color step change	
FADE7	7 Color fade change	Speed is adjustable,brightness is unadjustable
SPEED-	Speed decrease	The speed series will reduce once when you press it

Typical Applications

Applications one :



Applications two :

