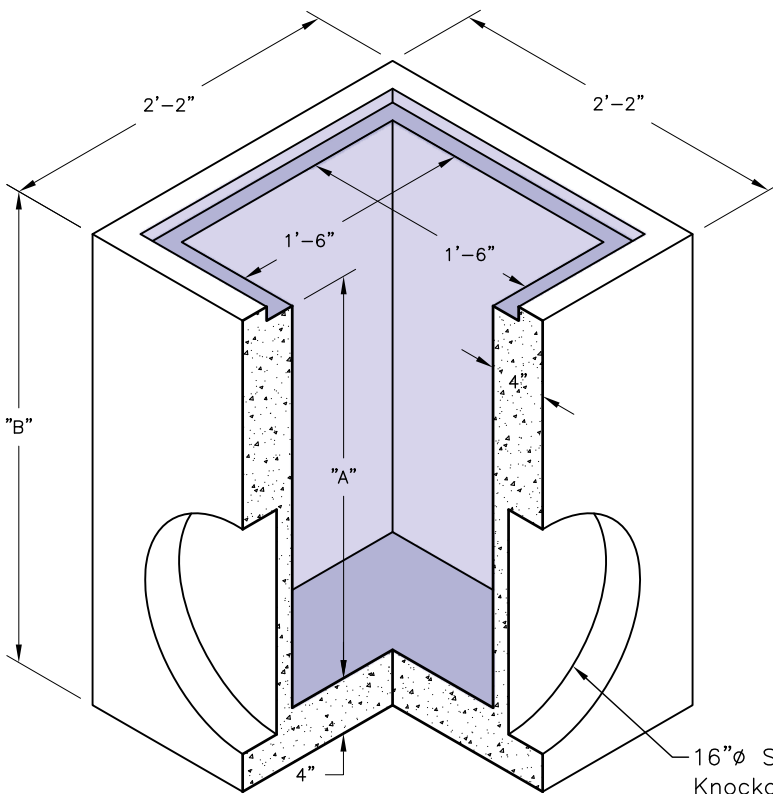

GENERAL NOTES:

1. Different Height of Extensions and Bodies are Available by Request.
2. Frames and Covers Also Available.
3. Frames may be Cast in Extension or Body.

Roof Slab

Weight - 225 Lbs.
Item# - 1207700


SPECIFICATIONS:

1. Concrete has a design strength of 5000 PSI at 28 days.
2. Steel reinforcement: ASTM A-615 Grade 60 or ASTM A-497 Welded wire fabric.
3. Loading: Designed for H20 Loading.
4. C.I. Castings: ASTM A-48, Class 30/35.

Body

Weight - See Table
Item# - See Table

Body			
A	B	Weight	Item#
12"	16"	600 Lbs.	1201440
18"	22"	775 Lbs.	1201480
24"	28"	975 Lbs.	1201520
30"	34"	1150 Lbs.	1201580
36"	40"	1325 Lbs.	1201660

16"Ø Standard
Knockout (Typical)