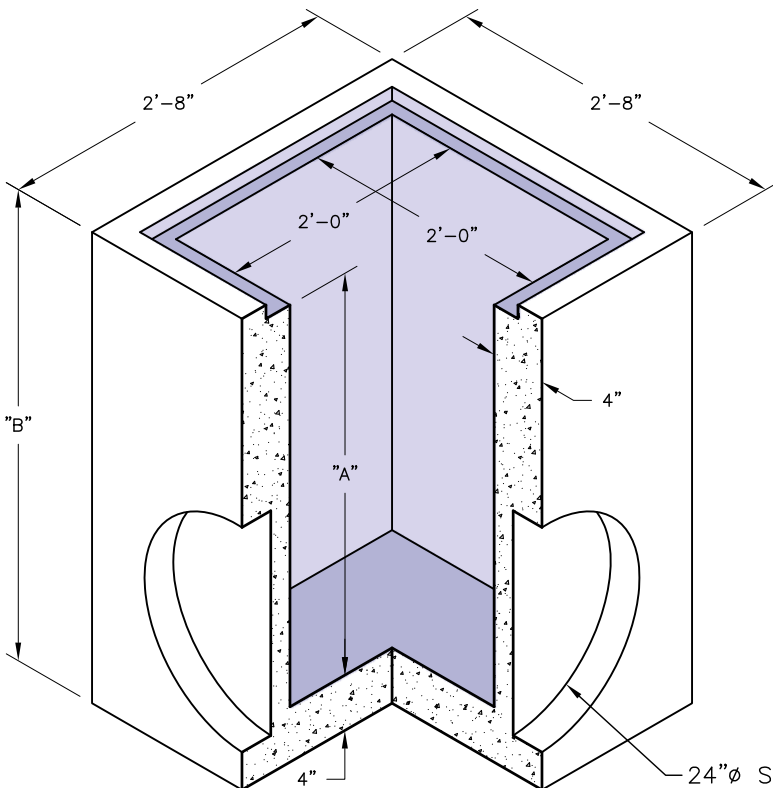

GENERAL NOTES:

1. Different Height of Extensions and Bodies are Available by Request.
2. Frame and Cover Also Available.

Roof Slab

Weight - 275 Lbs.
Item# - 1202340


SPECIFICATIONS:

1. Concrete has a design strength of 5000 PSI at 28 days.
2. Steel reinforcement: ASTM A-615 Grade 60 or ASTM A-497 Welded wire fabric.
3. Loading: Designed for H20 Loading.
4. C.I. Castings: ASTM A-48, Class 30/35.

Body

Weight - See Table
Item# - See Table

Body			
A	B	Weight	Item#
24"	28"	825 Lbs.	1202560
30"	34"	1050 Lbs.	1202640
36"	40"	1300 Lbs.	1202700
42"	46"	1525 Lbs.	1202780
48"	52"	1750 Lbs.	1202800