

Roof Slab

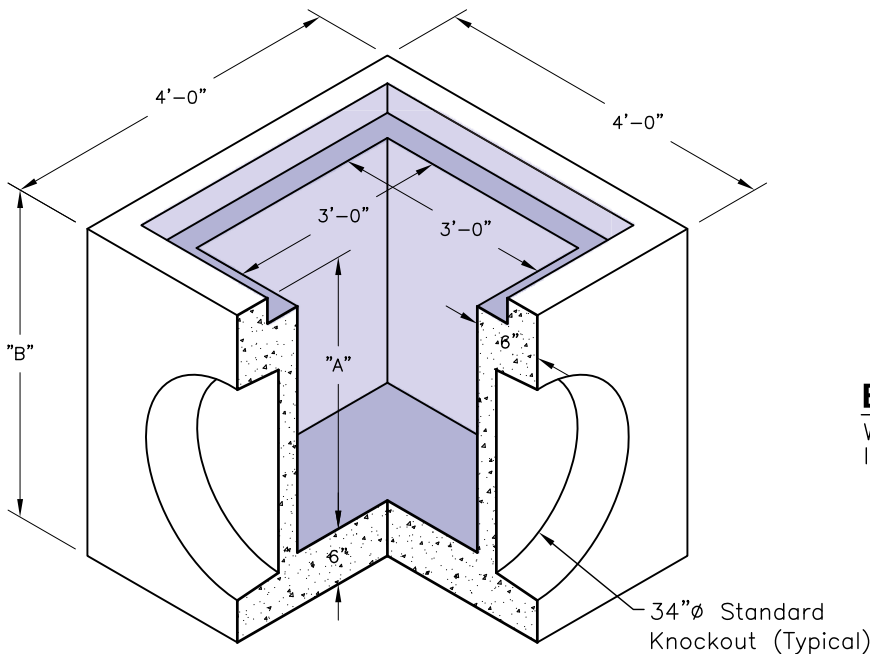
Weight - 975 Lbs.
 Item# - 1041220

GENERAL NOTES:

1. Different Height of Extensions and Bodies are Available by Request.
2. Frame and Cover Also Available.

SPECIFICATIONS:

1. Concrete has a design strength of 5000 PSI at 28 days.
2. Steel reinforcement: ASTM A-615 Grade 60 or ASTM A-497 Welded wire fabric.
3. Loading: Designed for H20 Loading.
4. C.I. Castings: ASTM A-48, Class 30/35.



Body

Weight - See Table
 Item# - See Table

Body			
A	B	Weight	Item#
12"	18"	2250 Lbs.	1203520
18"	24"	2775 Lbs.	1203560
24"	30"	3300 Lbs.	1203660
30"	36"	3825 Lbs.	1203740
36"	42"	4350 Lbs.	1203780
42"	48"	4875 Lbs.	1203880
48"	54"	5400 Lbs.	1203960