

**GENERAL NOTES:**

1. Different Height of Extensions and Bodies are Available by Request.
2. Specific Cast Iron Ring and Cover by request, Cast-in or Loose.

**Roof Slab**

Weight - 3450 Lbs.  
Item# - 1208280

**SPECIFICATIONS:**

1. Concrete has a design strength of 5000 PSI at 28 days.
2. Steel reinforcement: ASTM A-615 Grade 60 or ASTM A-497 Welded wire fabric.
3. Loading: Designed for H2O Loading.
4. C.I. Castings: ASTM A-48, Class 30/35.

**Extension**

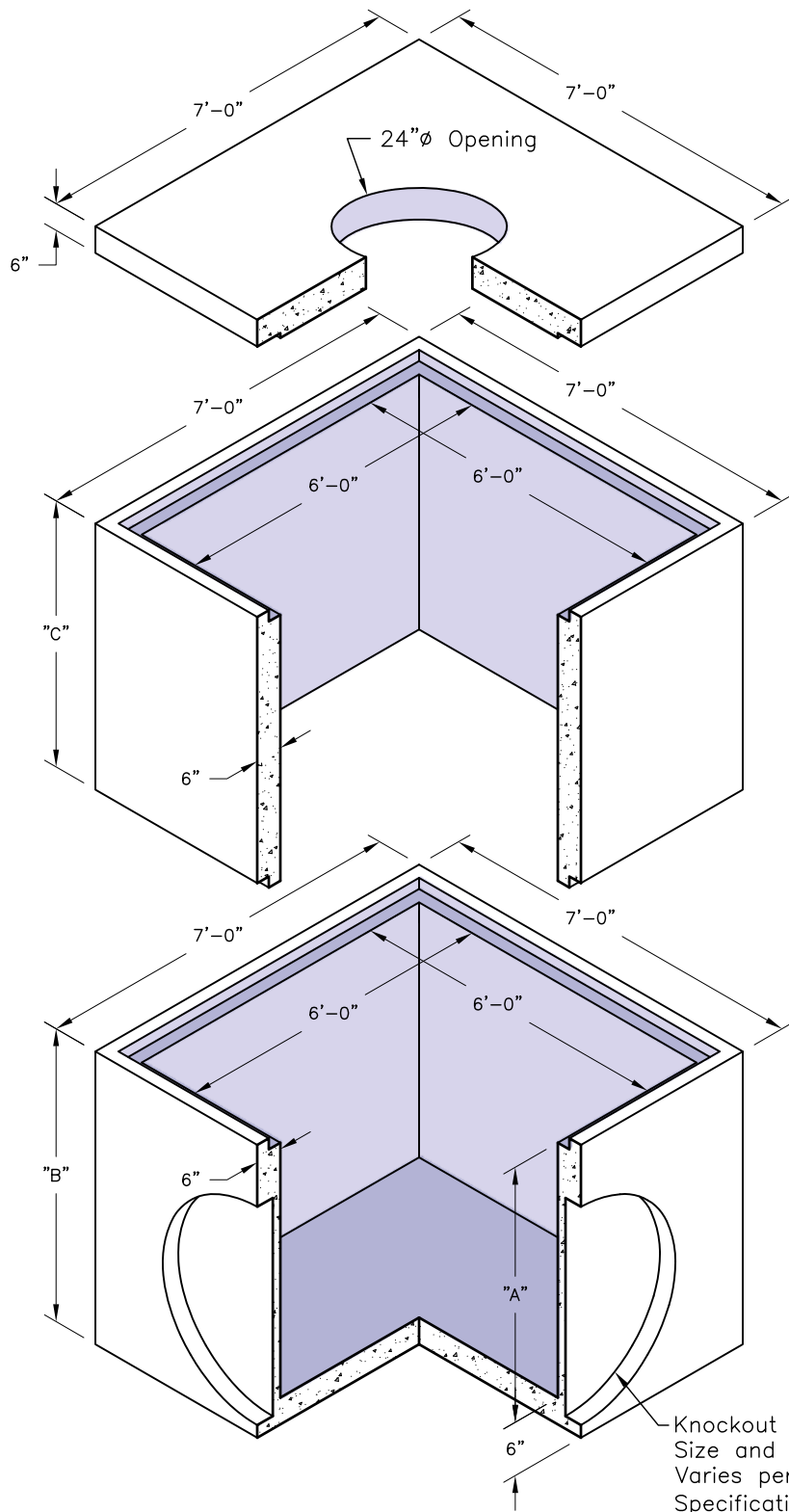
Weight - See Table  
Item# - See Table

Extension		
C	Weight	Item#
24"	3900 Lbs.	1205980
36"	5850 Lbs.	1206040
48"	7800 Lbs.	1206120
54"	8775 Lbs.	1206140
60"	9750 Lbs.	1206200
66"	10,725 Lbs.	1206230
72"	11,700 Lbs.	1206240

**Body**

Weight - See Table  
Item# - See Table

Body			
A	B	Weight	Item#
36"	42"	9525 Lbs.	1206020
42"	48"	10,500 Lbs.	1206080
48"	54"	11,475 Lbs.	1206100
54"	60"	12,450 Lbs.	1206180
60"	66"	13,425 Lbs.	1206190
66"	72"	14,400 Lbs.	1206220
72"	78"	15,375 Lbs.	1206225



Knockout  
Size and Location  
Varies per Customer  
Specifications (Typical)