



(12) **United States Design Patent**
Stepanov et al.

(10) **Patent No.:** **US D997,833 S**
(45) **Date of Patent:** **** Sep. 5, 2023**

(54) **REMOVABLE SUPPORT MOUNT**

OTHER PUBLICATIONS

(71) Applicant: **Cypress Overland LLC**, Alameda, CA (US)

Bulletpoint Dash Mount Cell Phone Holder Compatible with iPhone and Android Smartphones, available in Amazon.com, date first available Apr. 28, 2022 [online], [site visited Jul. 7, 2022], Available from the internet URL: https://www.amazon.com/Bulletpoint-Holder-Compatible-Android-Smartphones/dp/B09Z4TKDG4/ref=sr_1_137?c.*

(72) Inventors: **Dmitri Stepanov**, Alameda, CA (US);
Matthew Campbell Greaves, Oxley (AU);
Aliaksandra Birukova, Alameda, CA (US)

(Continued)

(73) Assignee: **Cypress Overland LLC**, San Francisco, CA (US)

Primary Examiner — Darlington Ly
Assistant Examiner — D. Ryan Tisdale
(74) *Attorney, Agent, or Firm* — Fitch, Even, Tabin & Flannery LLP

(**) Term: **15 Years**

(21) Appl. No.: **29/756,699**

(57) **CLAIM**

(22) Filed: **Oct. 30, 2020**

We claim the ornamental design for a removable support mount, as shown and described.

(51) **LOC (14) Cl.** **12-16**

(52) **U.S. Cl.** **D12/223**

(58) **Field of Classification Search**
USPC D12/190, 223, 415; D14/217; D8/71, D8/349

CPC B60R 11/00; B60R 11/02; B60R 11/0241; B60R 2011/0008; B60R 2011/0059; B60R 2011/0071; B60R 2011/0075; B60R 2011/0089; B60R 2011/0276; F16B 2/065; H02J 7/0044

See application file for complete search history.

DESCRIPTION

FIG. 1 is a top perspective view of a removable support mount in accordance with our new design;
FIG. 2 is a bottom perspective view of the removable support mount of FIG. 1;
FIG. 3 is a top view of the removable support mount of FIGS. 1-2;
FIG. 4 is a bottom view of the removable support mount of FIGS. 1-3;
FIG. 5 is a left-side elevation view of the removable support mount of FIGS. 1-4;
FIG. 6 is a right-side elevation view of the removable support mount of FIGS. 1-5;
FIG. 7 is a front elevation view of the removable support mount of FIGS. 1-6; and
FIG. 8 is a rear elevation view of the removable support mount of FIGS. 1-7.

The broken lines in the drawings illustrate portions of the removable support mount that form no part of the claimed design.

(56) **References Cited**

U.S. PATENT DOCUMENTS

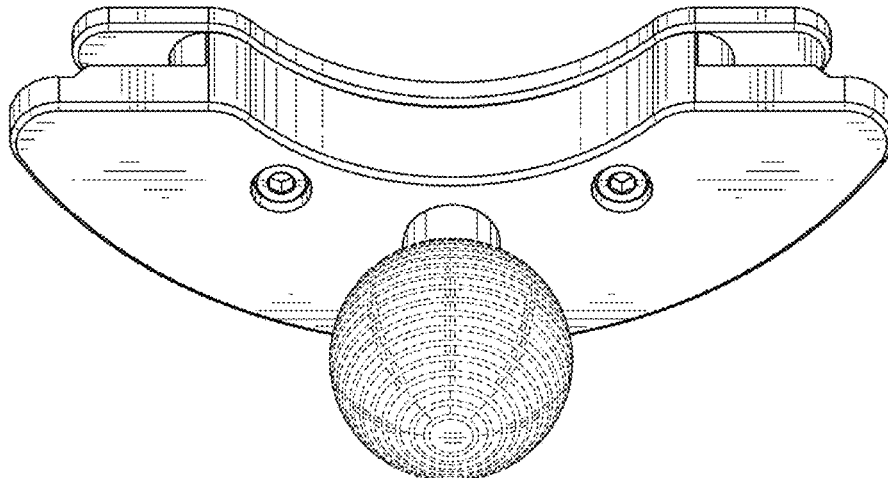
3,944,178	A	3/1976	Greenwood	
4,846,382	A	7/1989	Foultner	
D322,259	S *	12/1991	Quandt	D15/135
5,187,744	A	2/1993	Richter	
5,193,768	A	3/1993	Mita	
5,555,302	A	9/1996	Wang	

(Continued)

FOREIGN PATENT DOCUMENTS

EP 2209289 7/2010

1 Claim, 7 Drawing Sheets



(56)

References Cited

U.S. PATENT DOCUMENTS

D374,596 S * 10/1996 Delchev D14/217
 5,576,687 A 11/1996 Blank
 5,790,661 A 8/1998 Patterson
 D507,475 S * 7/2005 Phillips D8/349
 6,932,309 B1 8/2005 Corey
 D571,278 S * 6/2008 Carnevali D12/223
 7,403,613 B2 7/2008 Liou
 8,061,670 B1 11/2011 White
 8,201,800 B2 6/2012 Filipiak
 8,481,916 B2 7/2013 Heslin
 8,770,539 B1 7/2014 Hsu
 8,857,687 B1 10/2014 An
 9,081,256 B2 7/2015 Dering
 9,283,898 B2 3/2016 Azadi
 9,452,714 B2 9/2016 Emslie
 9,475,531 B2 10/2016 Rawlings
 D779,921 S * 2/2017 Del Rossa D8/349
 D790,436 S * 6/2017 Du D12/415
 9,701,256 B2 7/2017 Haymond
 9,828,073 B1 * 11/2017 Cifers, III B60R 11/00
 10,155,482 B2 12/2018 Corso
 D838,567 S * 1/2019 Boltryk D8/71
 D851,068 S * 6/2019 Ulloa D14/217
 10,315,585 B2 6/2019 Minn
 10,351,037 B2 7/2019 Cancado

10,363,882 B2 7/2019 Miyazaki
 D872,559 S * 1/2020 Harms D8/349
 10,605,287 B2 3/2020 DeCosta
 D897,821 S * 10/2020 Harms D8/349
 2002/0182003 A1 * 12/2002 Hardtke F16B 2/065
 403/388
 2008/0203263 A1 * 8/2008 Carnevali F16M 13/022
 29/527.1
 2009/0108152 A1 4/2009 Carnevali
 2016/0347257 A1 12/2016 Buchanan
 2018/0043840 A1 2/2018 Minn
 2022/0017021 A1 * 1/2022 Stener B60R 11/0258
 2022/0073009 A1 * 3/2022 Wang B60R 11/0241

OTHER PUBLICATIONS

Torras Air Vent Clip for Car Mount, Twist-Lock Anti-Shake Vent Grip Universal for Most Car Phone Mount Holders, available in Amazon.com, date first available Oct. 7, 2019 [online], [site visited Jul. 7, 2022], Available from the internet URL: <https://www.amazon.com/TORRAS-Twist-Lock-Anti-Shake-Universal-Holders/dp/B07>.
 Offroam, Air Vent AMPS Mount Base—Jeep Wrangler JL / Gladiator, <https://getoffroam.com/collections/jeep-products/products/jeep-wrangler-jl-gladiator-offroam-clamp-amps-mount> (2021).

* cited by examiner

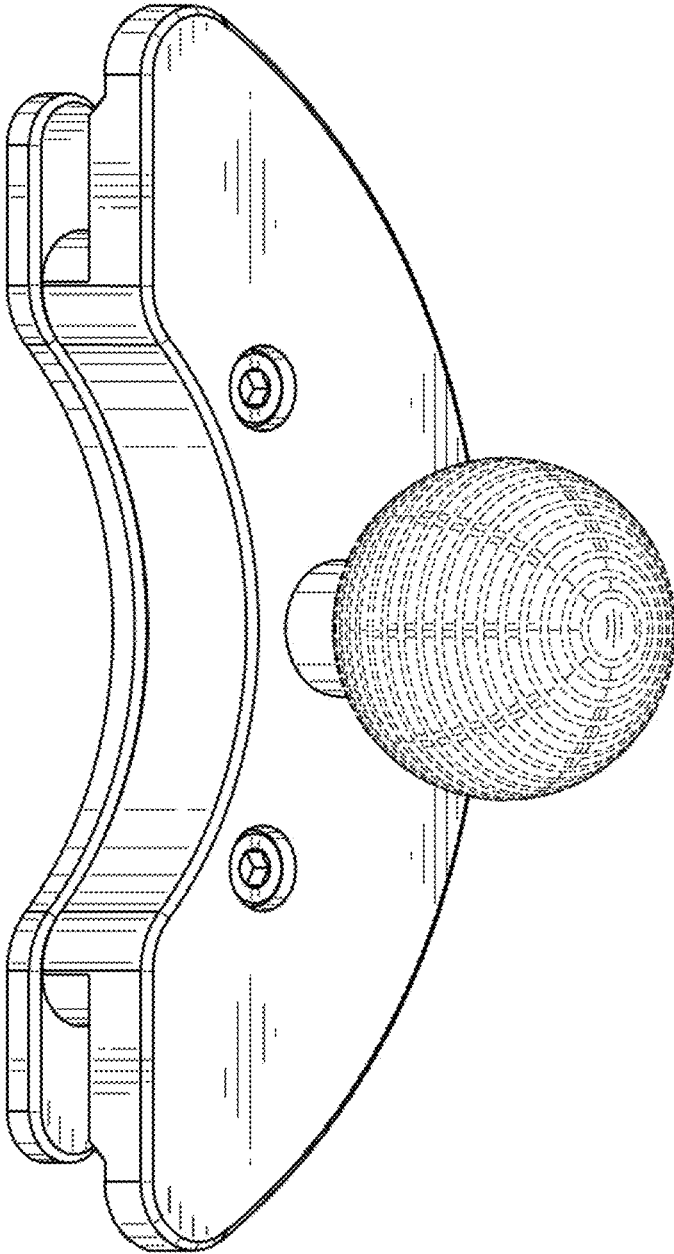


FIG. 1

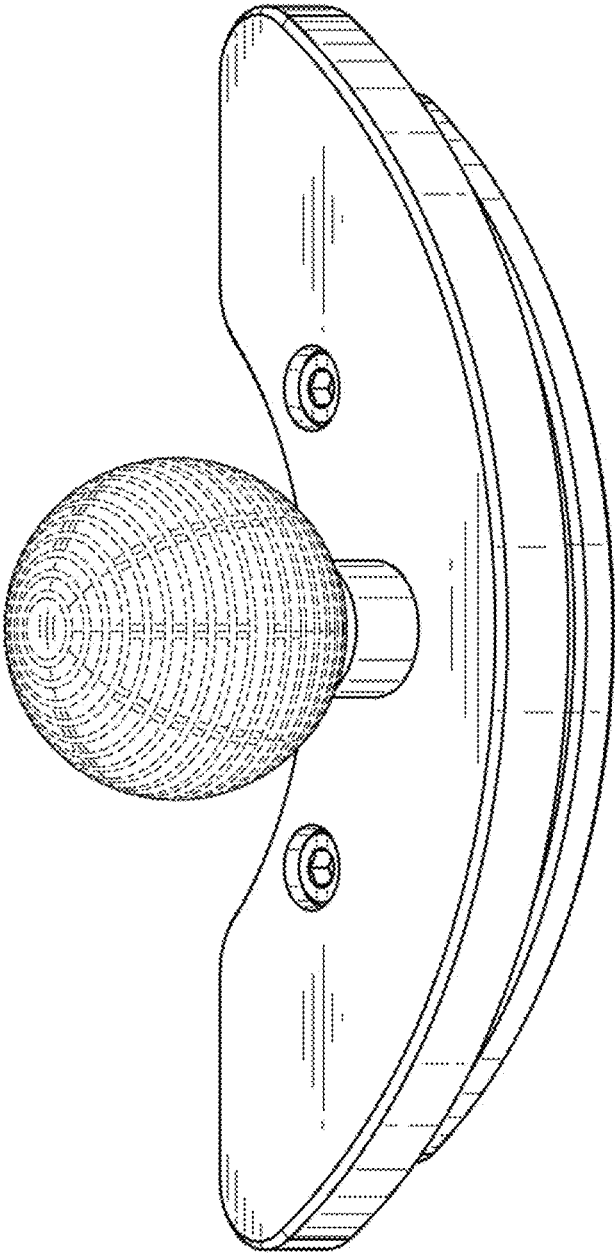


FIG. 2

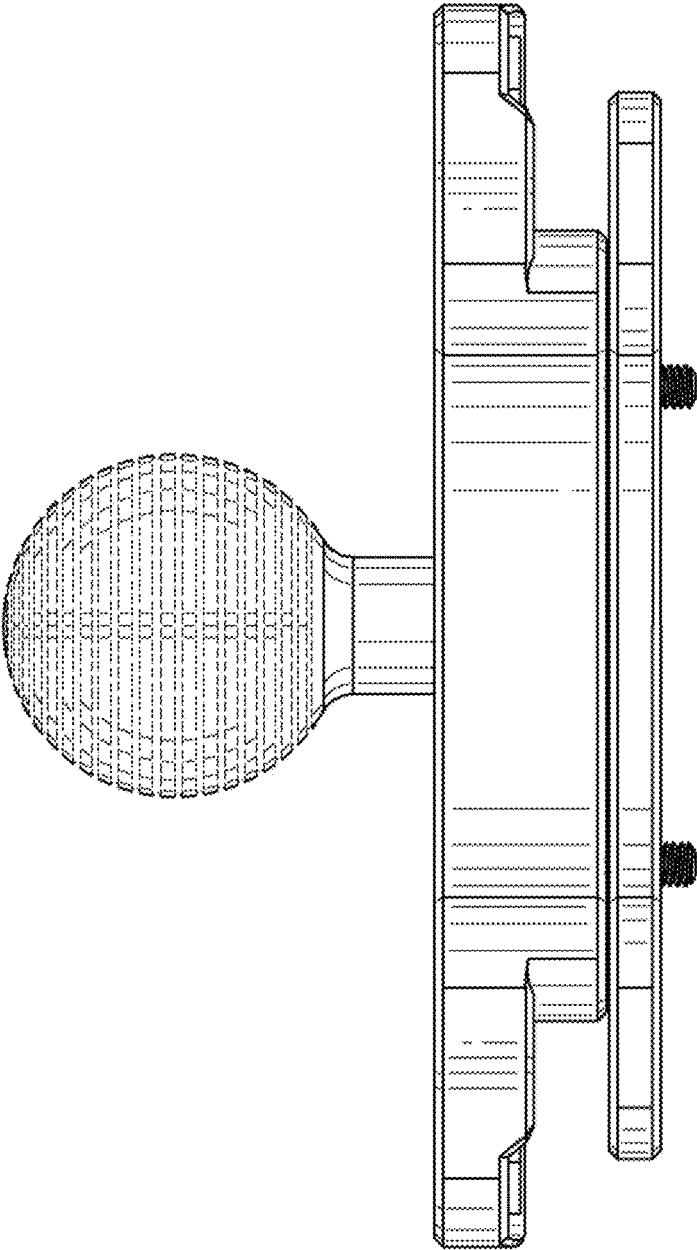


FIG. 3

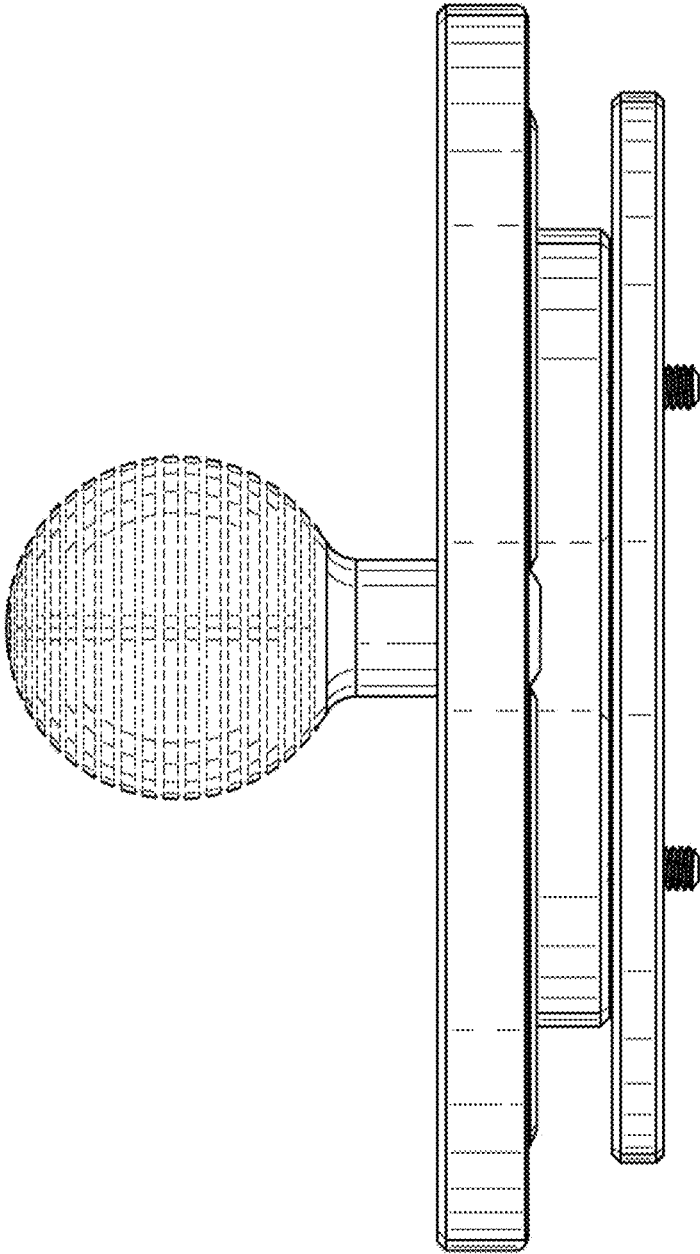


FIG. 4

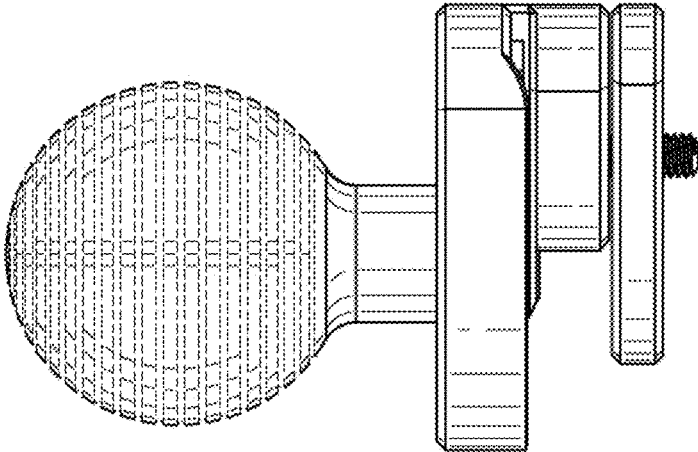


FIG. 5

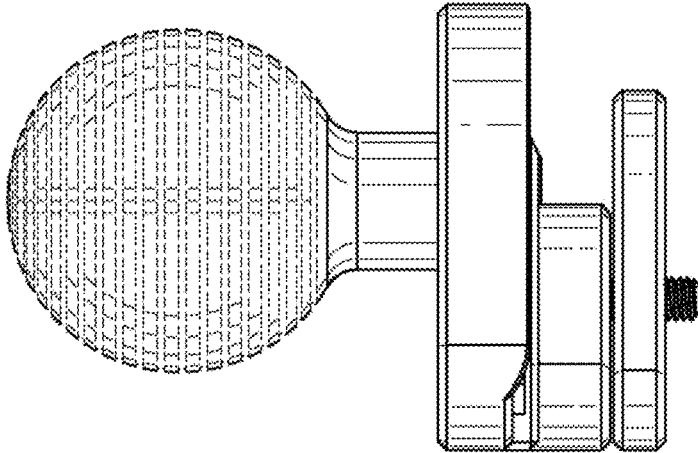


FIG. 6

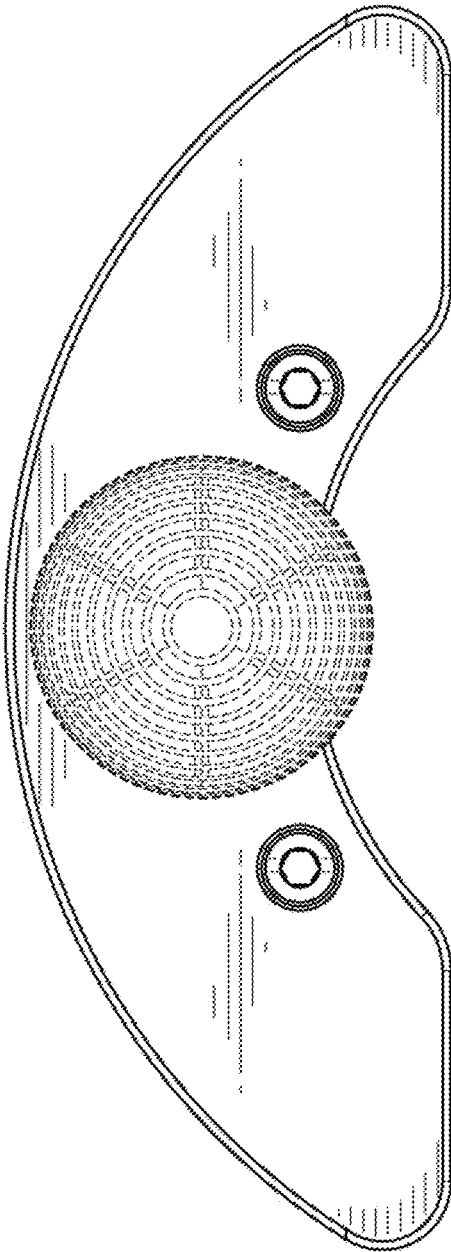


FIG. 7

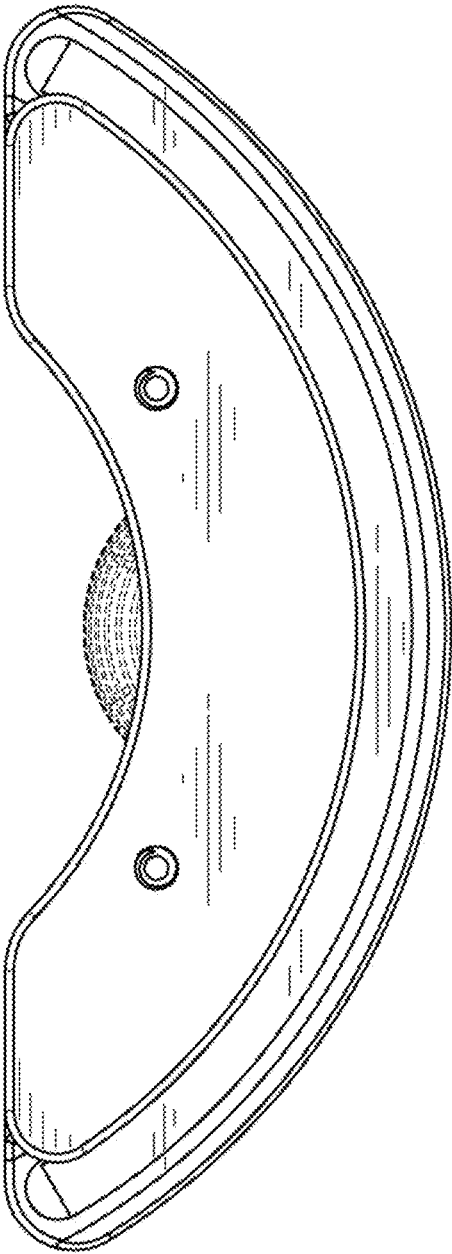


FIG. 8