



US00D572969S

(12) **United States Design Patent**
Beyeler

(10) **Patent No.:** **US D572,969 S**

(45) **Date of Patent:** **** Jul. 15, 2008**

(54) **COOKING POT**

(75) Inventor: **Philipp Beyeler**, Bern (CH)

(73) Assignee: **Kuhn Rikon AG**, Tosstal (CH)

(**) Term: **14 Years**

(21) Appl. No.: **29/252,715**

(22) Filed: **Jan. 26, 2006**

(30) **Foreign Application Priority Data**

Sep. 13, 2005 (CH) 132114

(51) **LOC (8) Cl.** **07-02**

(52) **U.S. Cl.** **D7/360**

(58) **Field of Classification Search** D7/323,
D7/354, 356-360, 392.1, 538, 542, 545;
99/324, 326, 339, 357; 126/19 R, 20, 275 R,
126/275 E, 369, 377; 219/620-622, 385,
219/386; 220/573.1-574

See application file for complete search history.

(56) **References Cited**

U.S. PATENT DOCUMENTS

D374,373 S *	10/1996	Ito	D7/360
D386,354 S *	11/1997	Hoekstra	D7/360
D427,483 S *	7/2000	Geelen et al.	D7/360
D439,104 S *	3/2001	Thakur	D7/360
D463,201 S *	9/2002	Mendelson et al.	D7/358
D465,126 S *	11/2002	Mendelson et al.	D7/358
D471,757 S *	3/2003	Kitamura et al.	D7/360
D491,011 S *	6/2004	Park	D7/358
D495,559 S *	9/2004	Vidal	D7/538

D521,312 S *	5/2006	Pukall et al.	D7/360
D532,250 S *	11/2006	Roussard	D7/358
D534,031 S *	12/2006	Roussard	D7/358

* cited by examiner

Primary Examiner—Caron D. Veynar

Assistant Examiner—Ricky Pham

(74) *Attorney, Agent, or Firm*—Wood, Phillips, Katz, Clark & Mortimer

(57) **CLAIM**

The ornamental design for a cooking pot, as shown and described.

DESCRIPTION

FIG. 1 is a drawing showing a perspective view of the cooking pot of our new design;

FIG. 2 is a drawing showing a top view of the design shown in FIG. 1;

FIG. 3 is a drawing showing a perspective view of the outer bowl of the cooking pot design shown in FIG. 1, shown separately for ease of illustration;

FIG. 4 is a drawing showing a side view of the part shown in FIG. 3;

FIG. 5 is a drawing showing a top view of the part shown in FIG. 3;

FIG. 6 is a drawing showing a side view of the part shown in FIG. 5; and,

FIG. 7 is a drawing showing a perspective view of the part shown in FIG. 6.

1 Claim, 4 Drawing Sheets

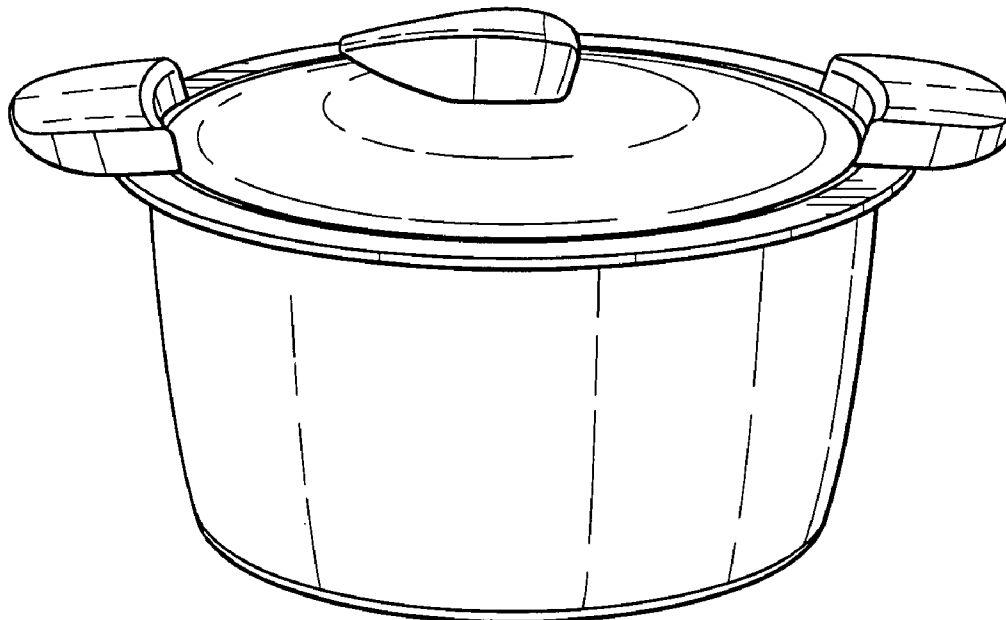


Fig. 1

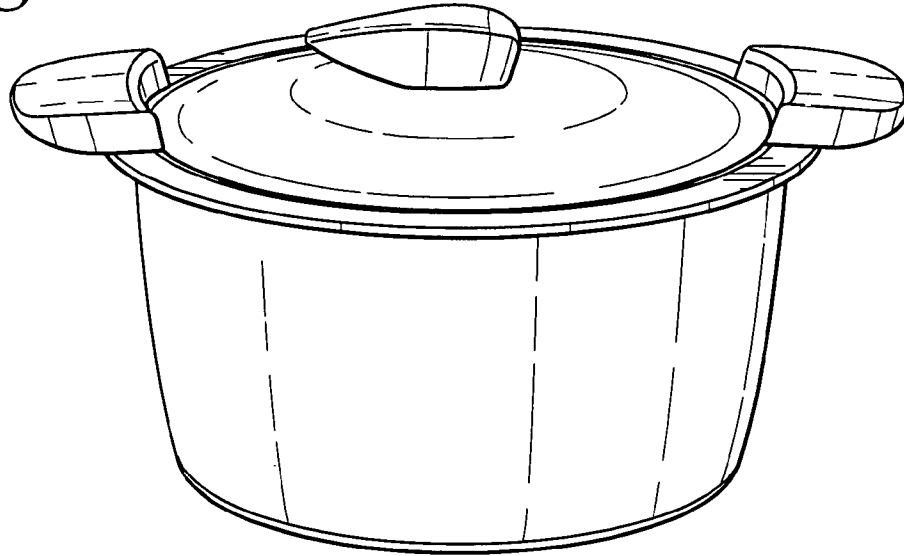


Fig. 2

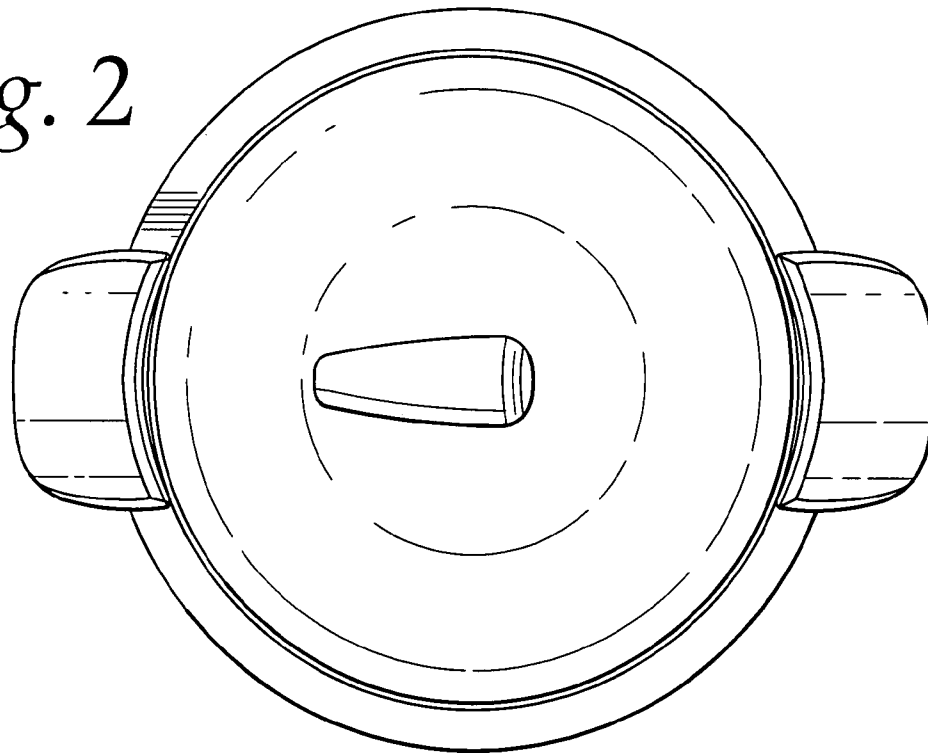


Fig. 3

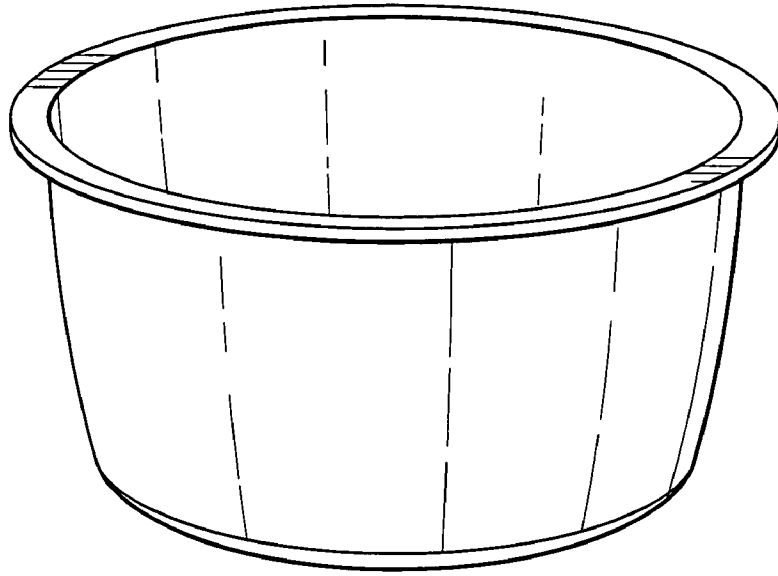


Fig. 4

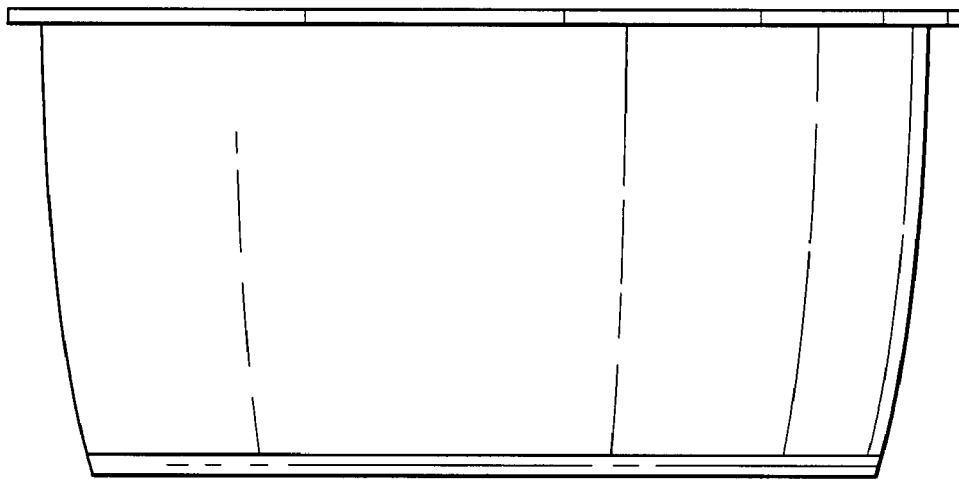


Fig. 5

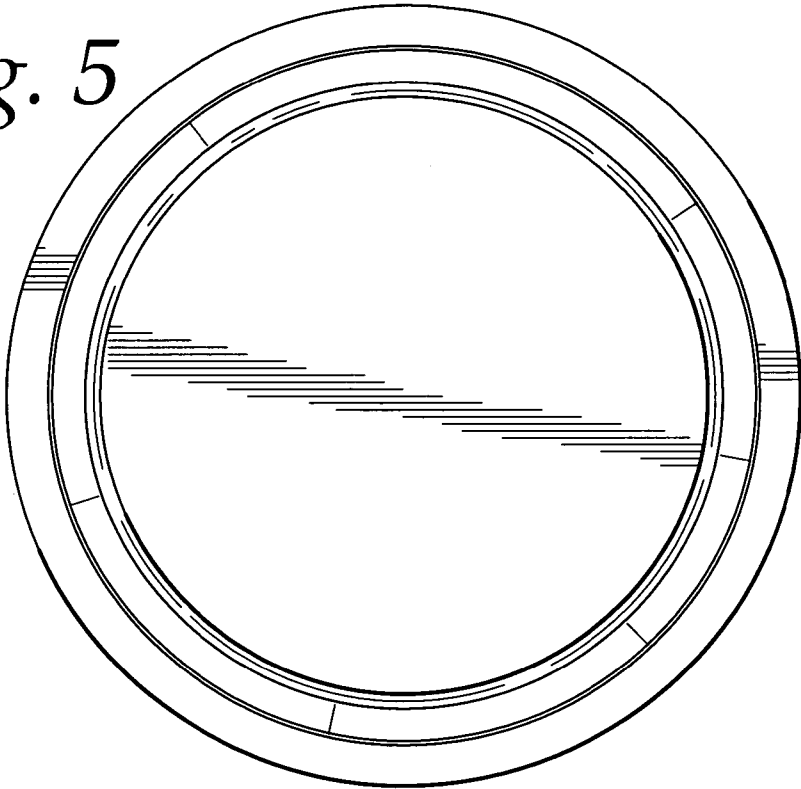


Fig. 6

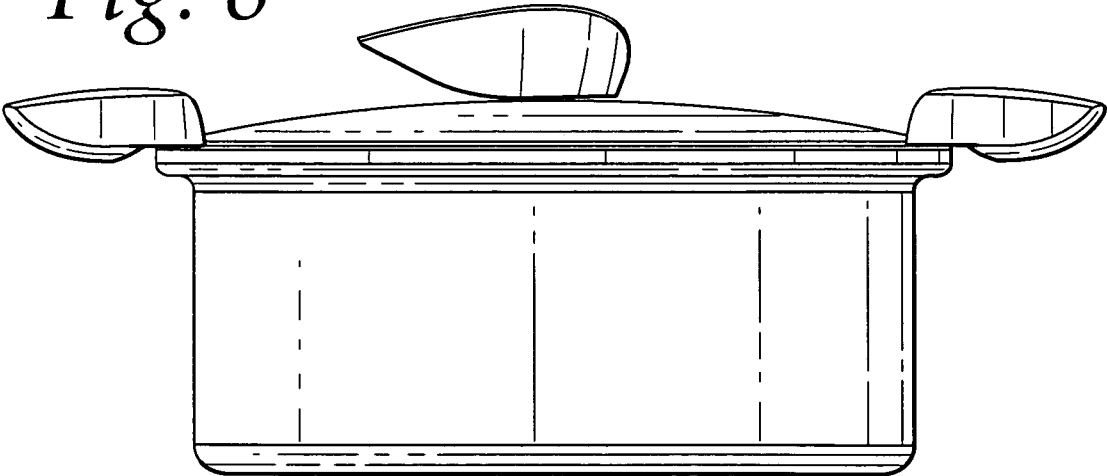


Fig. 7

