

**NOTES; UNLESS OTHERWISE SPECIFIED:**

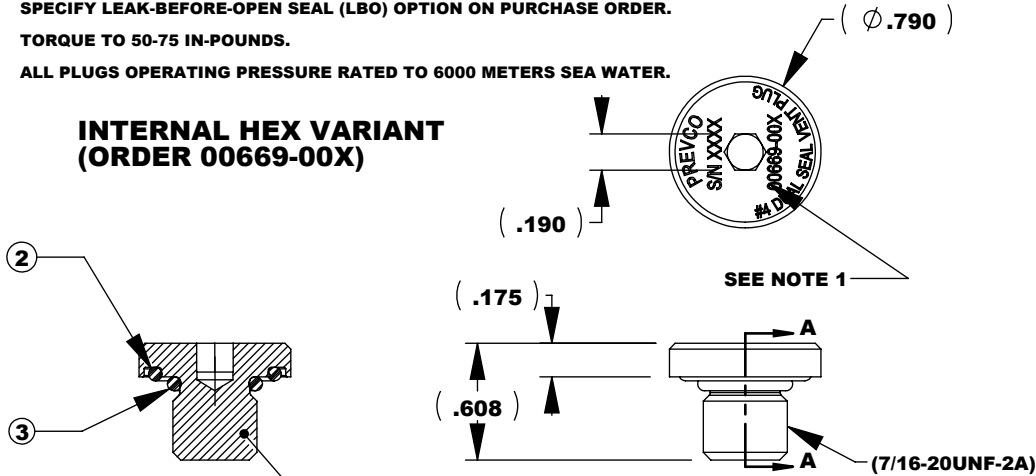
- MATERIAL, INTERNAL HEX HEAD VARIANT:**  
 00669-001, FOR STAINLESS STEEL, TYPE 316 PER QQ-S-763, MAKE FROM 00448-001  
 00669-002, FOR TITANIUM, GRADE 5, ASTM-B-348, MAKE FROM 00448-002  
 00669-003, FOR MONEL K-500, MAKE FROM 00448-003  
 00669-004, FOR COPPER BERYLLIUM, MAKE FROM 00448-004  
 00669-005, FOR ALUMINUM ALLOY 6061-T6, MAKE FROM 00448-005  
 00669-006, FOR INCONEL 625, MAKE FROM 00448-006

- MATERIAL, EXTERNAL HEX HEAD VARIANT: ( SPECIAL ORDER ONLY )**  
 00669-101, FOR STAINLESS STEEL, TYPE 316 PER QQ-S-763, MAKE FROM 01298-001  
 00669-102, FOR TITANIUM, GRADE 5, ASTM-B-348, MAKE FROM 01298-002  
 00669-103, FOR MONEL K-500, MAKE FROM 01298-003  
 00669-104, FOR COPPER BERYLLIUM, MAKE FROM 01298-004  
 00669-105, FOR ALUMINUM ALLOY 6061-T6, MAKE FROM 01298-005  
 00669-106, FOR INCONEL 625, MAKE FROM 01298-006

- FINISH:**  
 STAINLESS STEEL : PASSIVATE PER QQ-P-35, TYPE VI.  
 ALL OTHERS: NONE.
- SPECIFY LEAK-BEFORE-OPEN SEAL (LBO) OPTION ON PURCHASE ORDER.**
- TORQUE TO 50-75 IN-POUNDS.**
- ALL PLUGS OPERATING PRESSURE RATED TO 6000 METERS SEA WATER.**

REV.	DESCRIPTION	DATE	APP.
F	REVISE TO SOLIDWORKS	6/5/07	
G	REDRAWN TO ADD EXT HEX VARIANT	8-12-08	JAN
H	ADDED INFC (SHT 2)	10-21-08	JAN
J	ADDED INCONEL OPTION	10/6/10	JAN
K	CHANGE INCONEL DASH NO.	10/22/10	JAN
L	ADD TORQUE REQMT	0/30/10	JAN
M	ADDED NOTE 5	11/27/12	JAN
N	SHT 2: Ø.300 WAS Ø.187	10/3/2016	BD

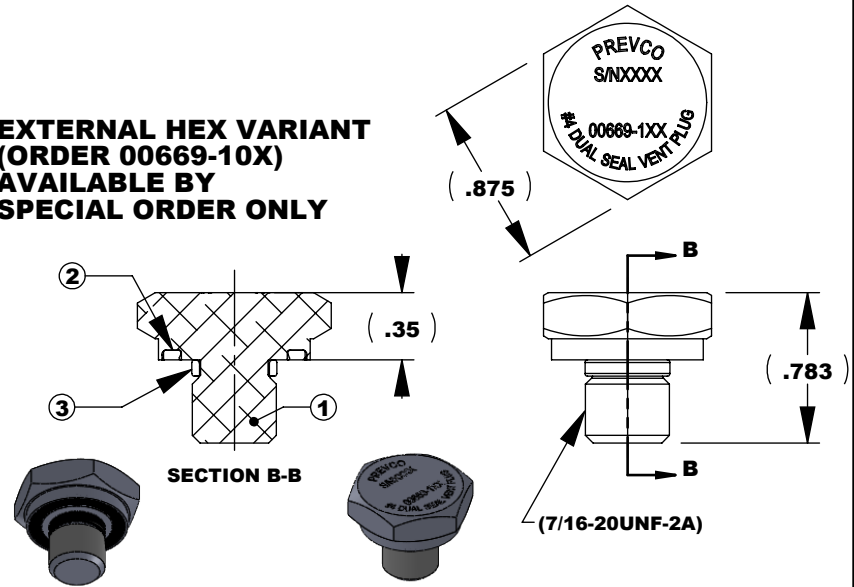
**INTERNAL HEX VARIANT  
(ORDER 00669-00X)**



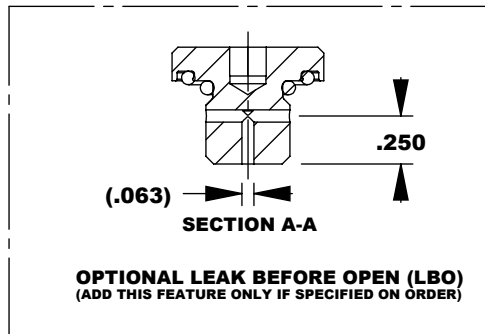
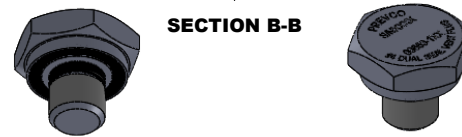
SECTION A-A



**EXTERNAL HEX VARIANT  
(ORDER 00669-10X)  
AVAILABLE BY  
SPECIAL ORDER ONLY**



SECTION B-B



OPTIONAL LEAK BEFORE OPEN (LBO)  
(ADD THIS FEATURE ONLY IF SPECIFIED ON ORDER)

**BOM Table**

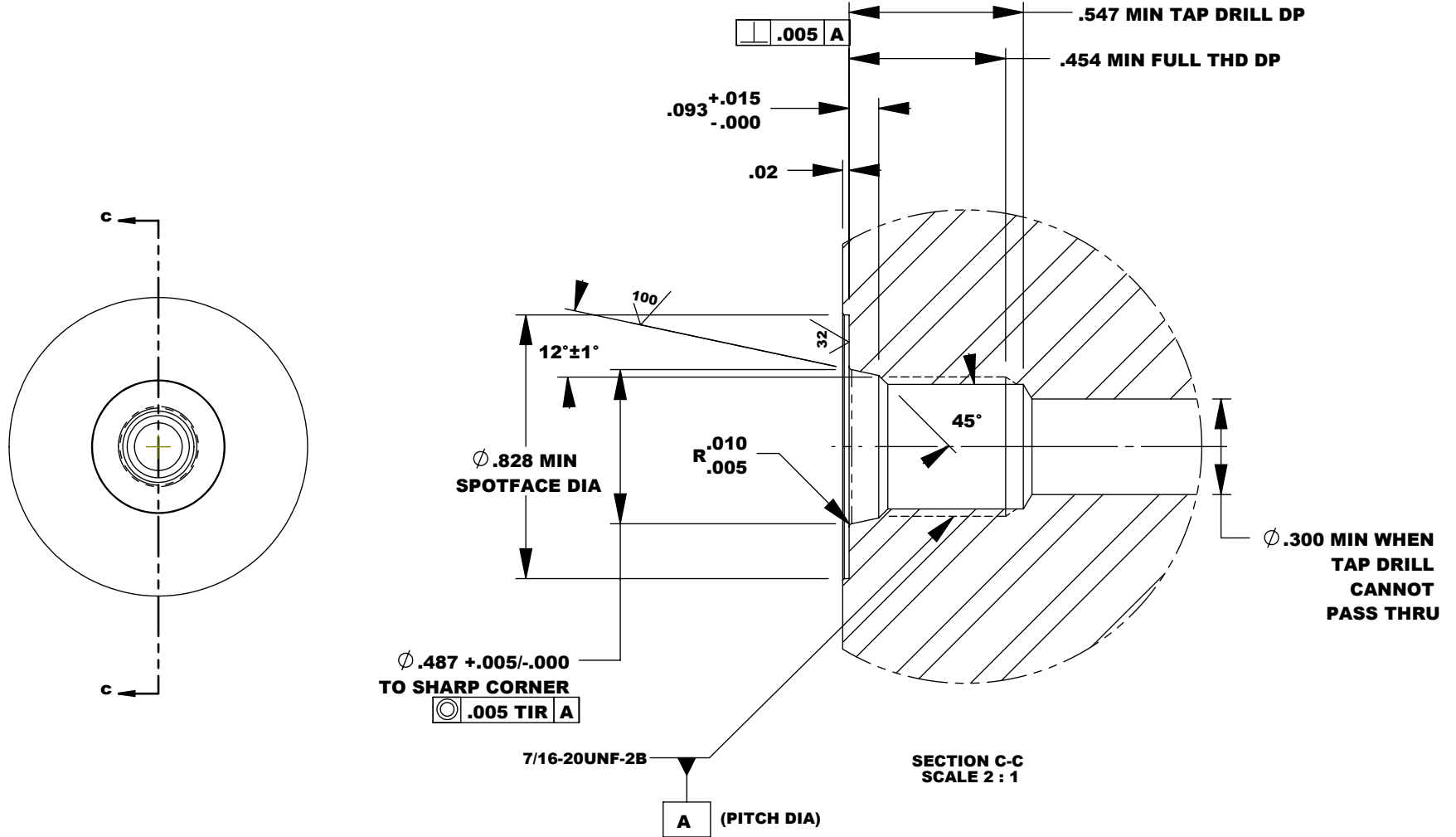
ITEM NO.	PART NUMBER	DESCRIPTION	00669-001/QTY.
1	COMMERCIAL GRADE	PREVCO Dual Seal No. 4 Plug	1
2	03010-001	O-ring, Plug Face, 2-015, 90 Duro	1
3	5015	O-ring, Plug Corner Seal, 3-904, 90 Duro	1

**Proprietary Note:** All data and information contained or disclosed by this document is confidential and proprietary information of Prevco Subsea LLC and all rights therein are expressly reserved. By accepting this material the recipient agrees that the material and the information therein is held in confidence and in trust and will not be used, copied, reproduced in whole or in part, nor its contents revealed in any manner to others, except to meet the specific purpose for which it was delivered.

TOLERANCES UNLESS NOTED			
.X	.XX	.XXX	ANGLES
±.050	±.010	±.003	±.5°
CONCENTRICITY .004 TIR			
PRIMARY UNITS ARE INCHES			

CUSTOMER <b>PREVCO SUBSEA LLC</b>	
PROJECT <b>00669-000</b>	
ISSUED BY:	ISSUED DATE:

DESCRIPTION <b>DUAL SEAL VENT PORT (#4) - INTERFACE DRAWING</b>			
DRAWN BY:		CHECKED BY:	
DRAWN DATE: <b>6/5/07</b>		CHECKED DATE:	
SCALE: DO NOT SCALE	PAGE 1 OF 2	REV. <b>N</b>	



**#4 DUAL SEAL VENT PORT INSTALLATION INTERFACE**  
**#4 PORT IAW SAE J1926 AND MS16142**  
**USE SAE OR MS PORTING TOOL**  
**(PARKER TOOL #Y34732)**

<b>PROPRIETARY NOTE</b> All data and information contained or disclosed by this document is confidential and proprietary information of <b>PREVCO Subsea LLC</b> and all rights therein are expressly reserved. By accepting this material the recipient agrees that the material and the information therein is held in confidence and in trust and will not be used, copied, reproduced in whole or in part, nor its content revealed in any manner to others, except to meet the specific purpose for which it was delivered.	TOLERANCES UNLESS NOTED				CUSTOMER		DESCRIPTION				
	.X	.XX	.XXX	ANGLES	<b>PREVCO SUBSEA LLC</b>  PROJECT <b>00669-000</b>		<b>DUAL SEAL VENT PORT (#4) - INTERFACE DRAWING</b>  DRAWN BY: CHECKED BY: DRAWN DATE: <b>6/5/07</b> CHECKED DATE:				
	±.050	±.010	±.003	±.5°							
	CONCENTRICITY .004 TIR				ISSUED BY:		ISSUED DATE:		SCALE: DO NOT SCALE	PAGE 2 OF 2	REV. <b>N</b>
	PRIMARY UNITS ARE INCHES										