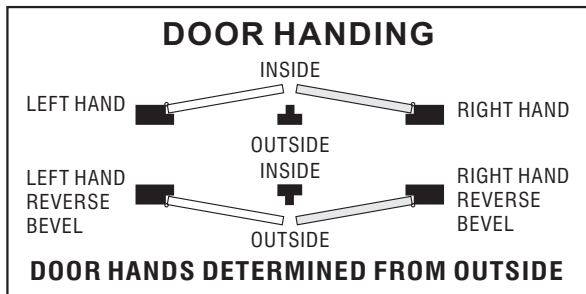
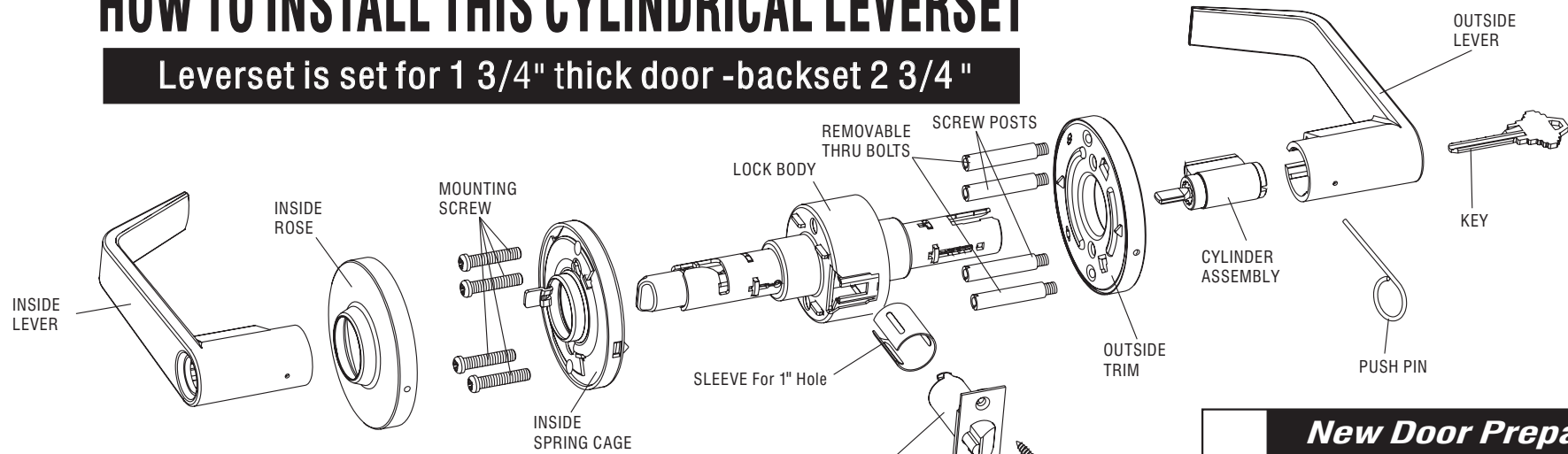


HOW TO INSTALL THIS CYLINDRICAL LEVERSET

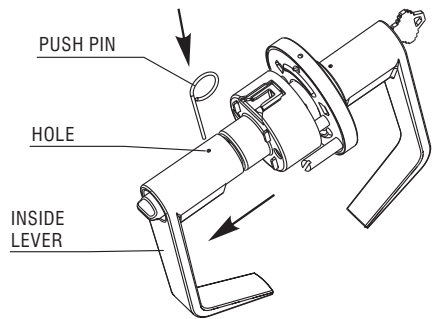
Leverset is set for 1 3/4" thick door -backset 2 3/4 "



New Door Preparation

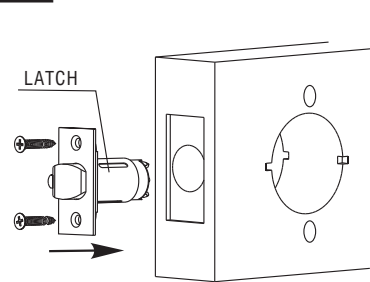
1. Fold template over edge of door and mark holes.
2. Drill a 2-1/8" hole.
3. Drill two 3/8" thru bolt holes through face of door. (only if the thru bolts are being used).
4. Drill a 1" hole in edge of door.
5. Cut 5/32" notches on 2-1/8" hole on both sides of door. (very important if not using thru bolts)
6. Mortise latch unit front
2-1/4" x 1-1/8" x 1/8" for 2-3/4" backset
or 2-1/4" x 1" x 1/8" for the optional 2-3/8" backset

1 DISASSEMBLE INSIDE LEVER

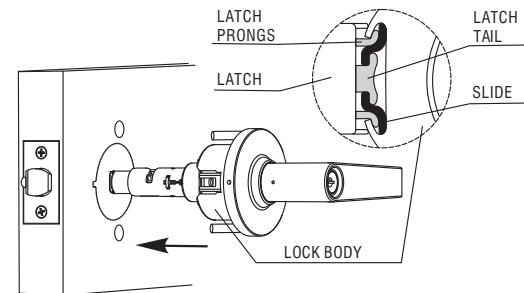


1A: Insert push pin into hole to depress catch and remove the lever.

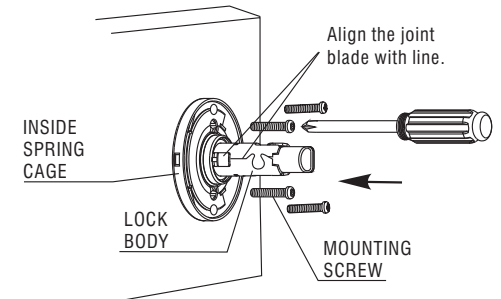
2 INSTALL LEVERSET TO DOOR



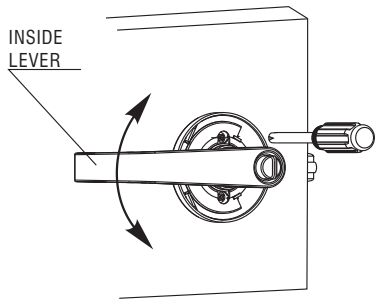
2A: Insert latchbolt and secure with combination screws.



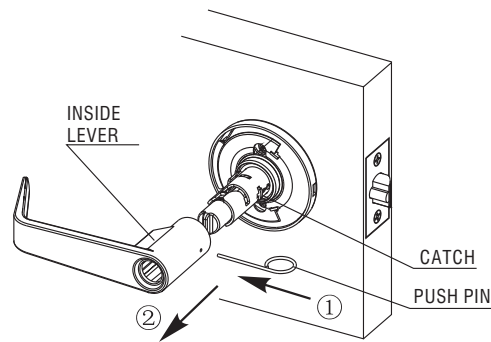
2B: Place lock body into position. Make sure that latch prongs engage chassis in housing, and slide engages latch tail.



2C: Install inside spring cage, Screws should be handtightened all the way down with a screwdriver.

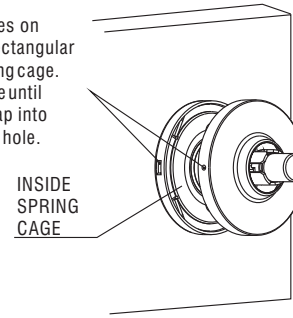


2D: Slide inside lever onto spindle and check to see if the rotation is smooth. Adjust the radial clearance between inside spring cage and inside lever if necessary.



2E: Remove inside lever using push pin.

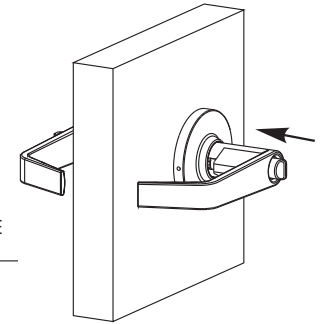
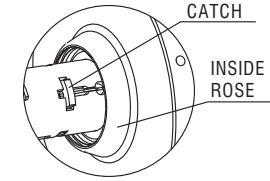
Align dimples on rose with rectangular hole in spring cage. Push in rose until dimples snap into rectangular hole.



2F: Install inside rose and make sure inside rose and inside spring cage are tightened.

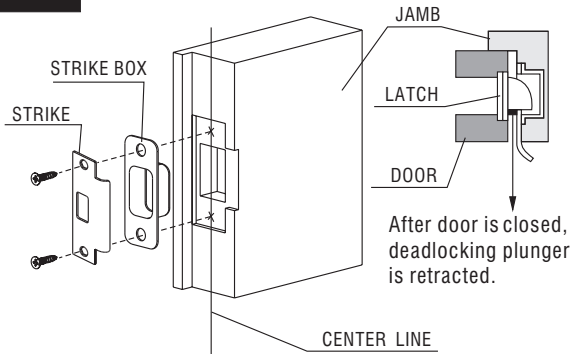
IMPORTANT

If the door is thicker than 2", the catch will be covered by inside rose, do not install inside lever and lock.

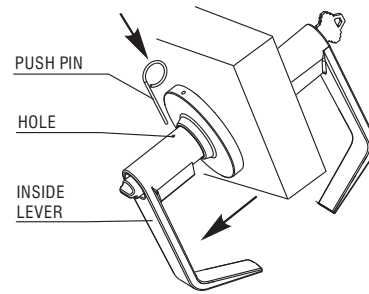


2G: Slide lever onto spindle. Push lever completely into place. (Pull on lever to make sure that catch is fully engaged).

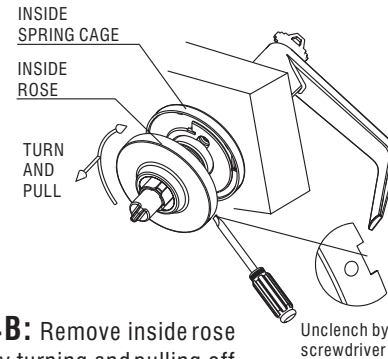
3 INSTALL STRIKE



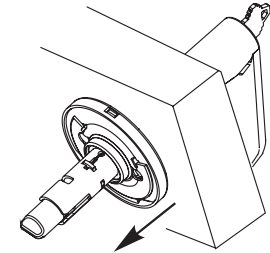
4 INSTRUCTIONS FOR REMOVING AN INSTALLED LOCK FROM THE DOOR



4A: Insert push pin into hole to depress catch and remove the lever.

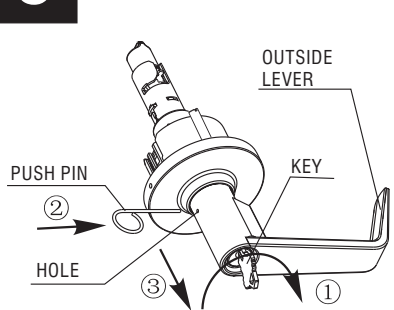


4B: Remove inside rose by turning and pulling off.

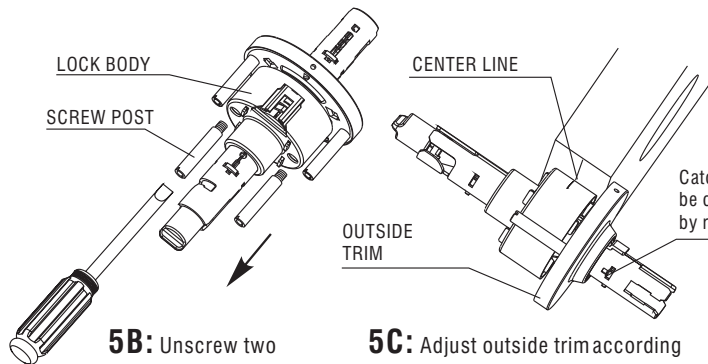


4C: Remove mounting screw with screwdriver and inside spring cage.

5 INSTRUCTIONS FOR ADJUSTING LOCK TO FIT DOOR THICKNESS OTHER THAN 1-3/4"

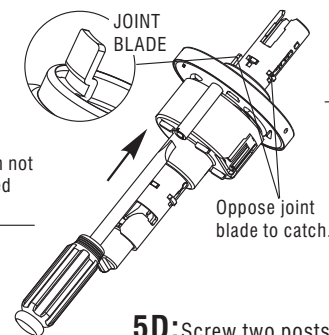


5A: Turn key 75° clockwise, insert push pin into hole in outside lever to depress catch. Remove the outside lever.

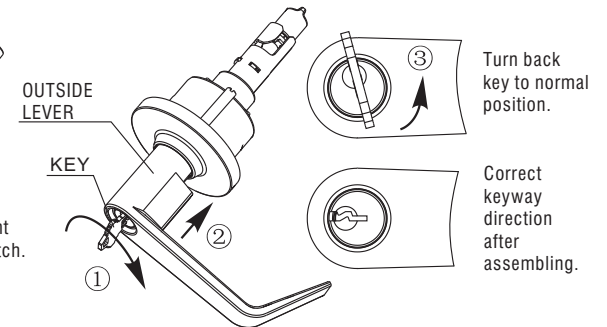


5B: Unscrew two screw posts in lock body by screwdriver.

5C: Adjust outside trim according to the door thickness, make sure the lock body at both sides is symmetrical.



5D: Screw two posts back in so they hold the outside rose tightly.



5E: Turn key approximately 80° clockwise and push the lever all the way onto the spindle and then turn key back to normal position.