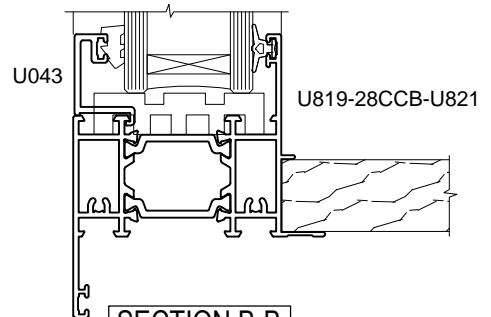
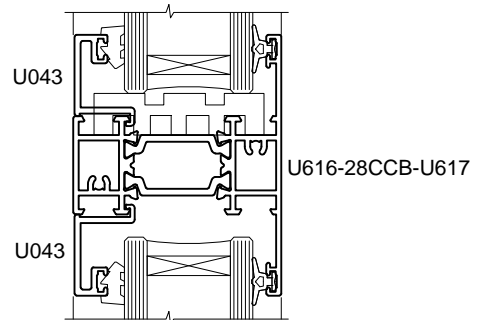
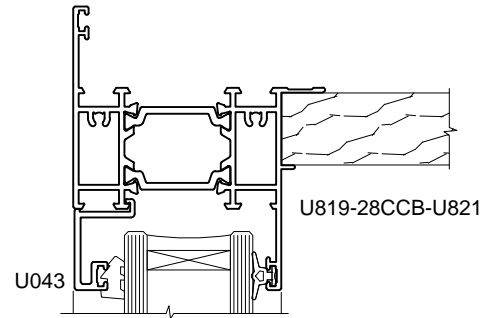


SECTION A-A



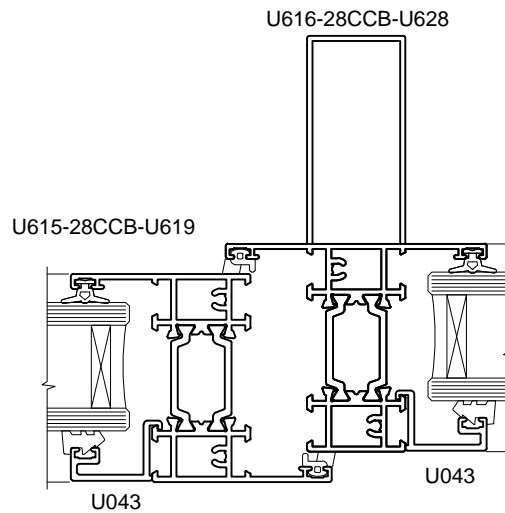
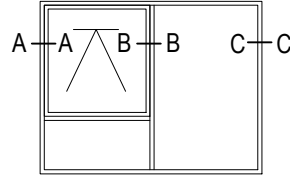
SECTION B-B

AWNING / CASEMENT WINDOW

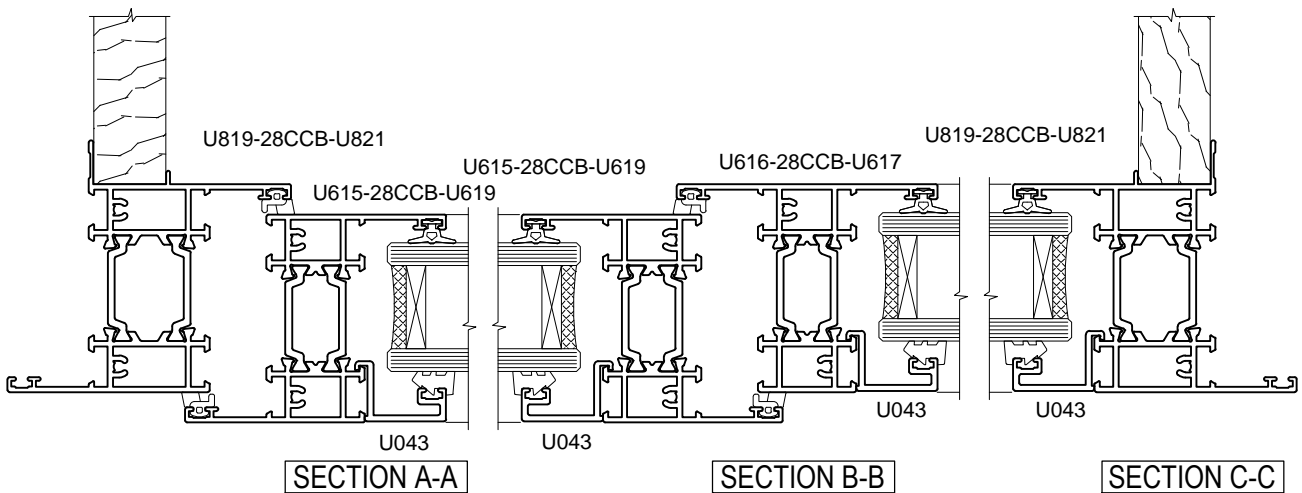
FAIRVIEW SYSTEMS LIMITED SPECIFIERS GUIDE 2014 © TECHNICAL SPECIFICATIONS & PROFILE DETAILS SUBJECT TO CHANGE WITHOUT NOTICE

THERMAL LINEAR TL55

DATE 05.11.2014	SCALE 1:2
REF. TL55.0001	



SECTION B-B

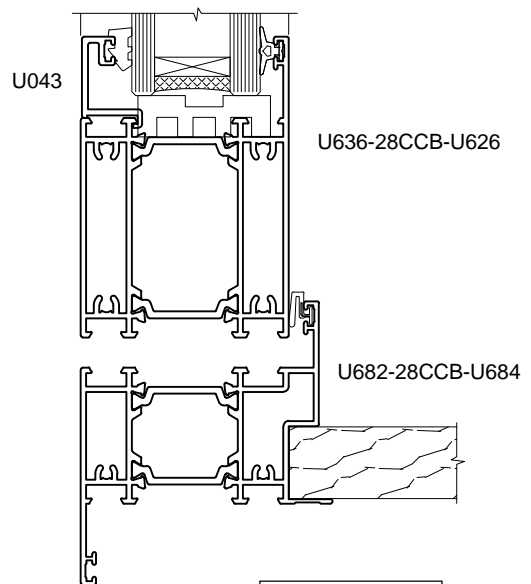
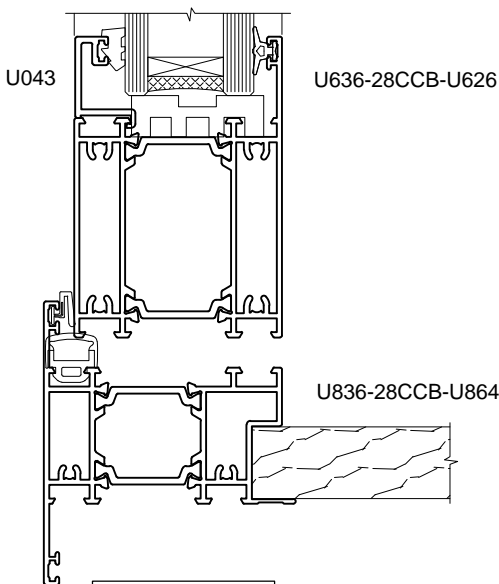
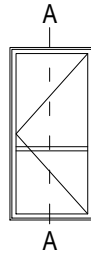
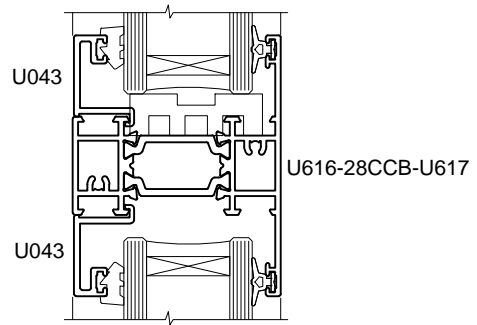
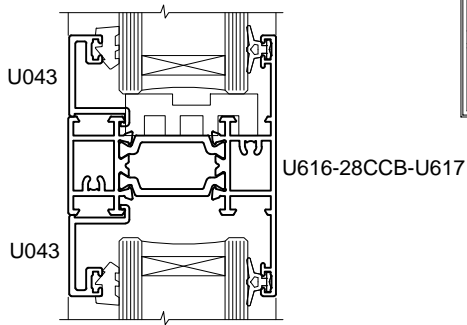
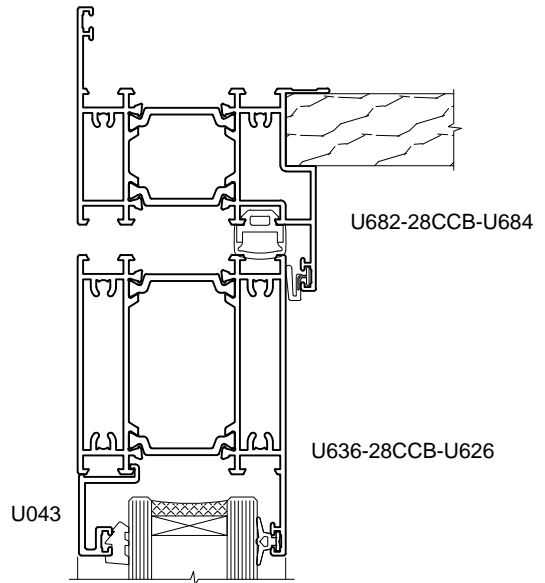
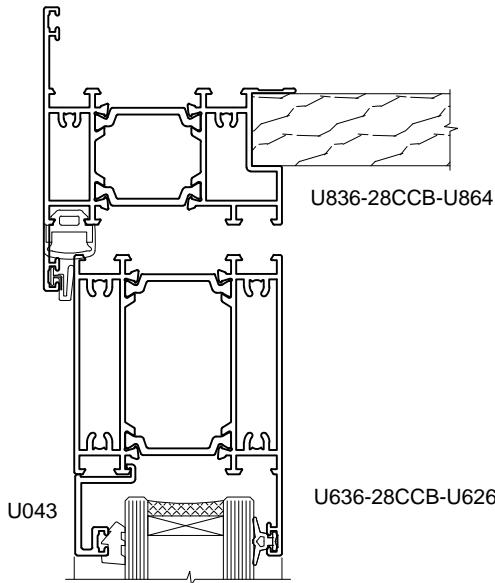


AWNING / CASEMENT WINDOW

FAIRVIEW SYSTEMS LIMITED SPECIFIERS GUIDE 2014 © TECHNICAL SPECIFICATIONS & PROFILE DETAILS SUBJECT TO CHANGE WITHOUT NOTICE

THERMAL LINEAR TL55

DATE 05.11.2014	SCALE 1:2
REF. TL55.0002	



SECTION A-A

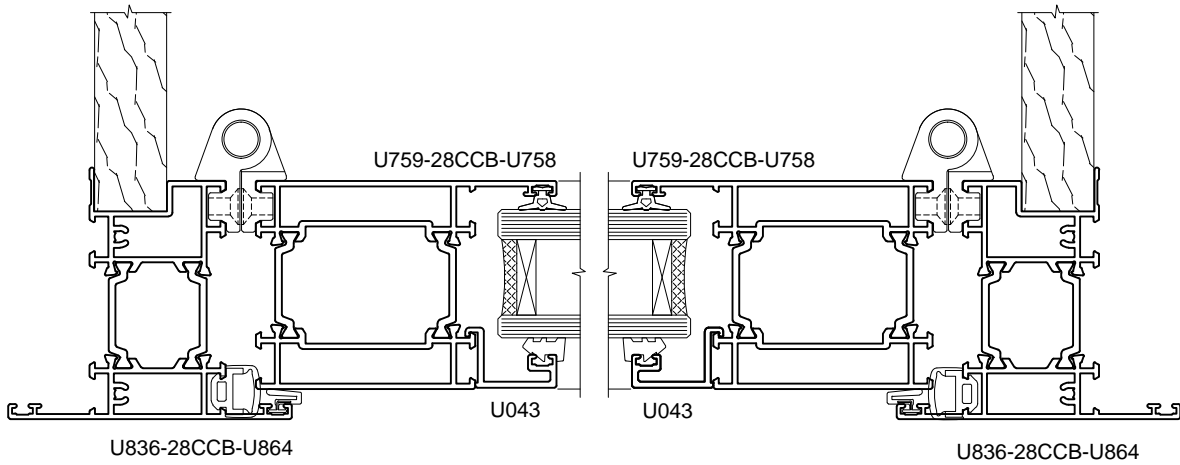
SECTION A-A

HINGED DOOR

FAIRVIEW SYSTEMS LIMITED SPECIFIERS GUIDE 2014 © TECHNICAL SPECIFICATIONS & PROFILE DETAILS SUBJECT TO CHANGE WITHOUT NOTICE

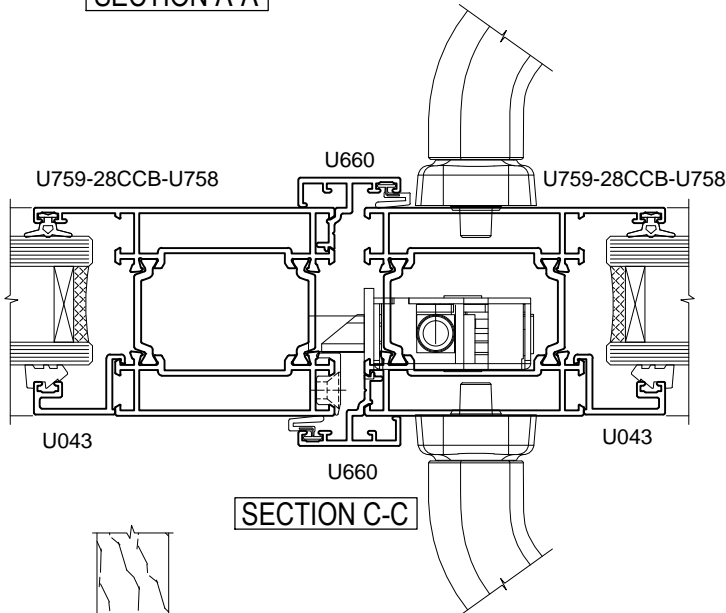
THERMAL LINEAR TL55

DATE 05.11.2014	SCALE 1:2
REF. TL55.0011	

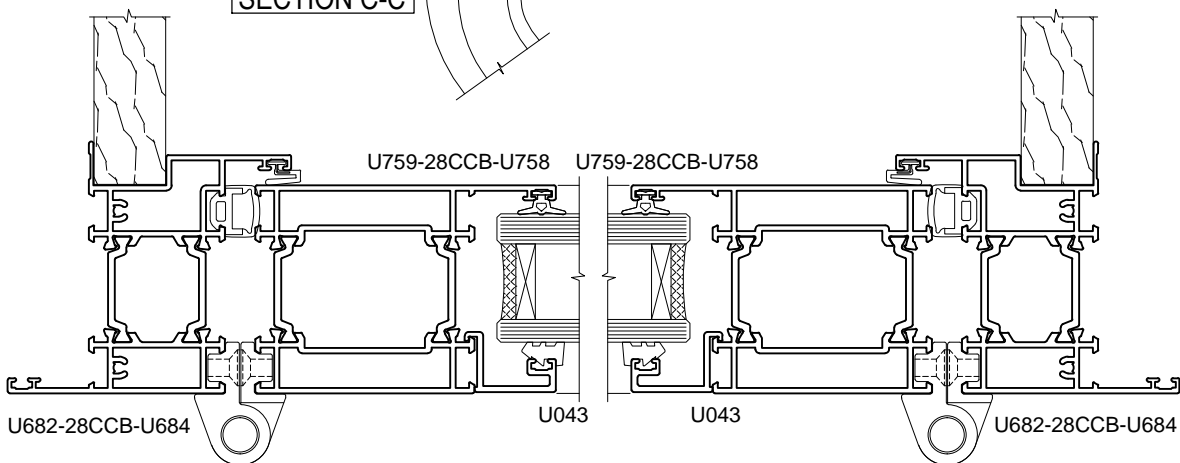
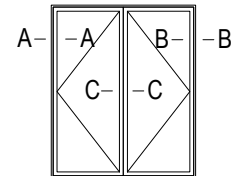


SECTION A-A

SECTION B-B



SECTION C-C



SECTION A-A

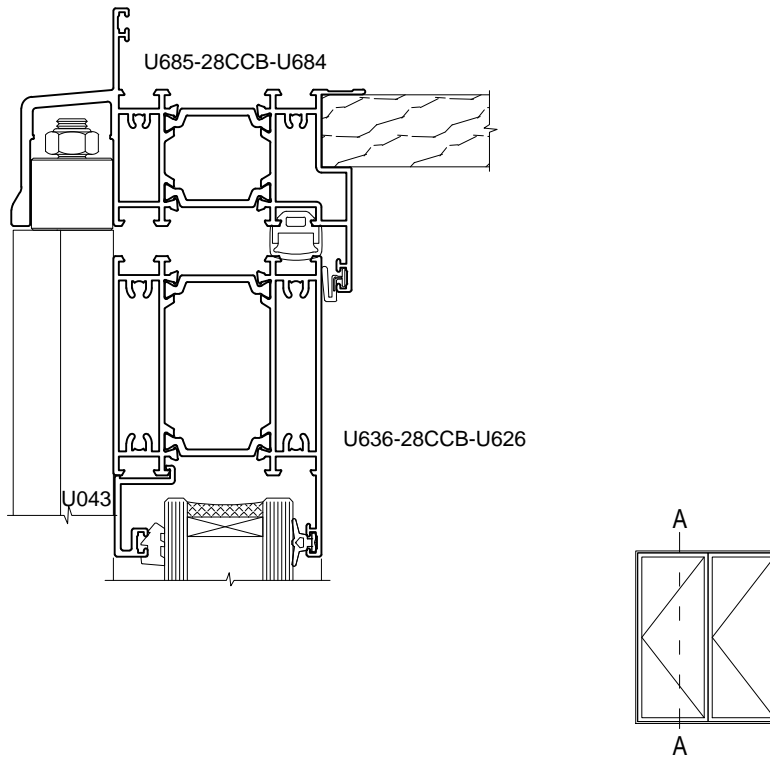
SECTION B-B

HINGED DOOR

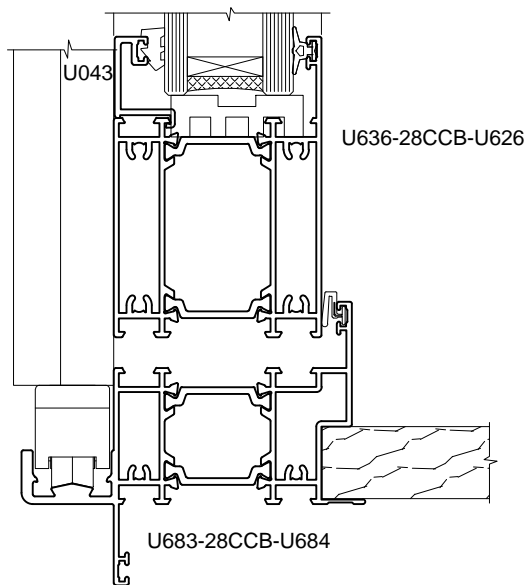
FAIRVIEW SYSTEMS LIMITED SPECIFIERS GUIDE 2014 © TECHNICAL SPECIFICATIONS & PROFILE DETAILS SUBJECT TO CHANGE WITHOUT NOTICE

THERMAL LINEAR TL55

DATE 05.11.2014	SCALE 1:2
REF. TL55.0012	



SECTION A-A

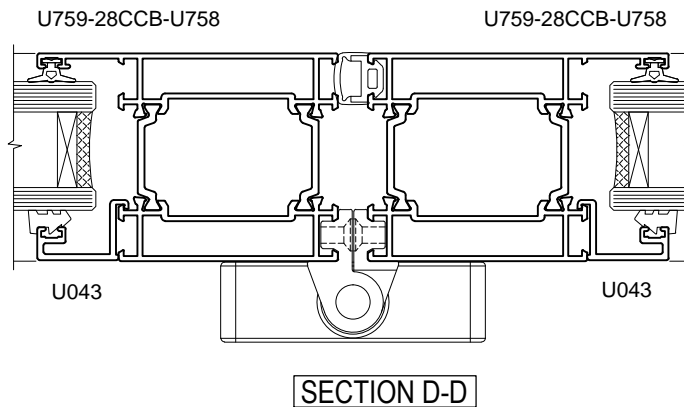
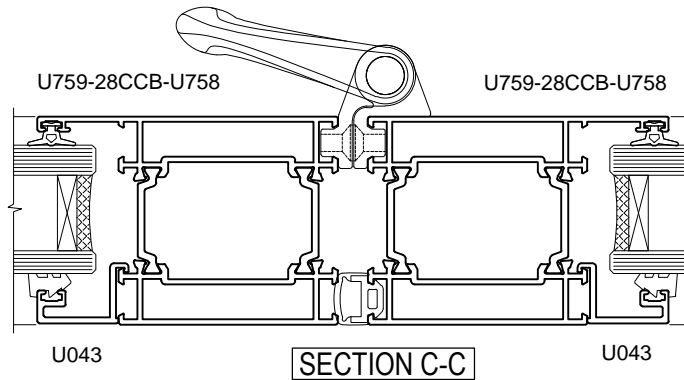
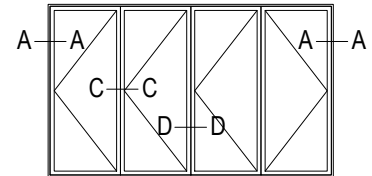
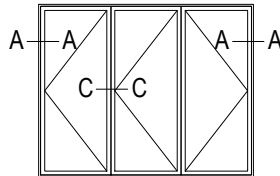
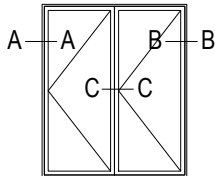
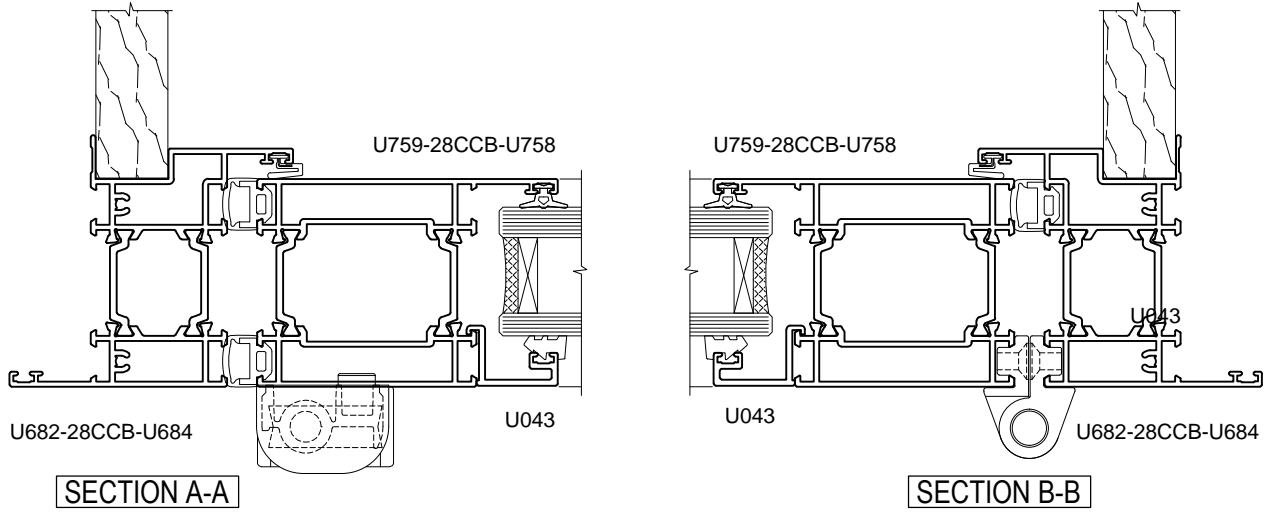


BOTTOM ROLLING BI-FOLD DOOR

FAIRVIEW SYSTEMS LIMITED SPECIFIERS GUIDE 2014 © TECHNICAL SPECIFICATIONS & PROFILE DETAILS SUBJECT TO CHANGE WITHOUT NOTICE

THERMAL LINEAR TL55

DATE 05.11.2014	SCALE 1:2
REF. TL55.0021	

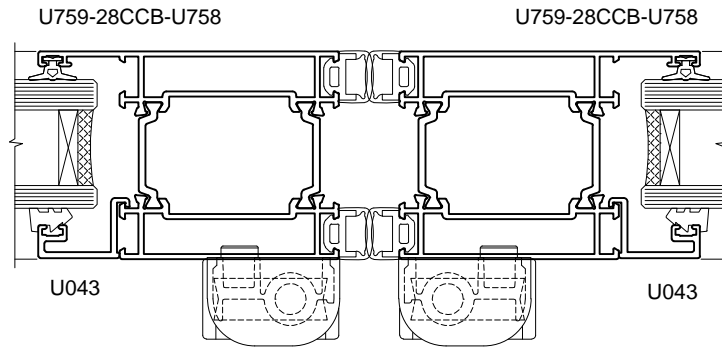


BOTTOM ROLLING BI-FOLD DOOR

FAIRVIEW SYSTEMS LIMITED SPECIFIERS GUIDE 2014 © TECHNICAL SPECIFICATIONS & PROFILE DETAILS SUBJECT TO CHANGE WITHOUT NOTICE

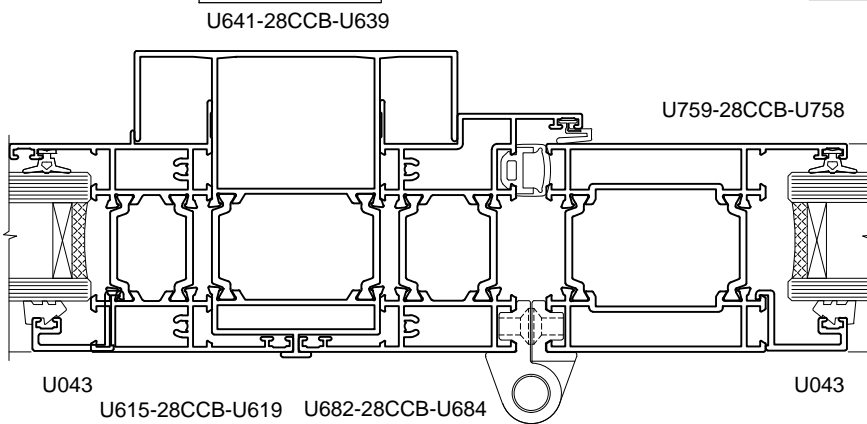
THERMAL LINEAR TL55

DATE 05.11.2014	SCALE 1:2
REF. TL55.0022	

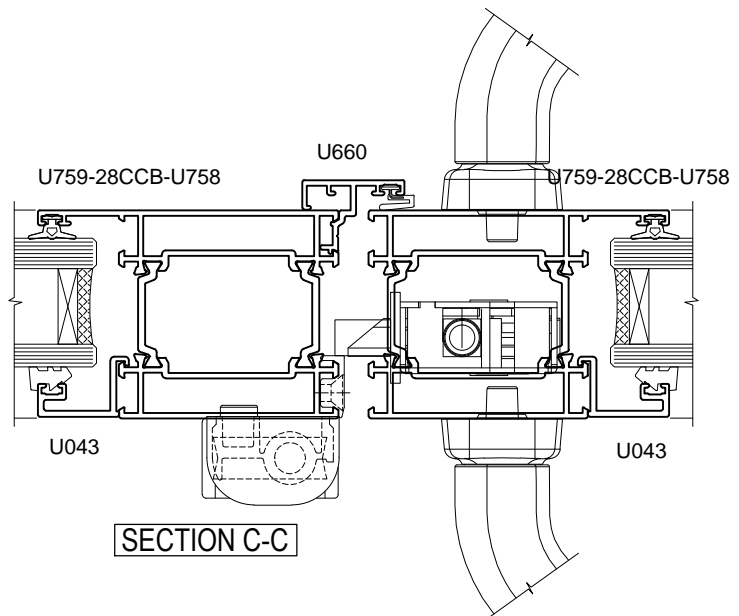
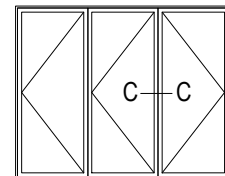
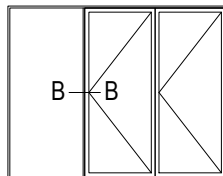
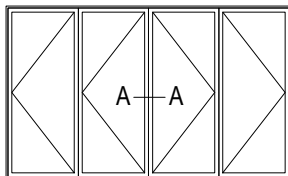


SECTION A-A

SECTION B-B



U615-28CCB-U619 U682-28CCB-U684



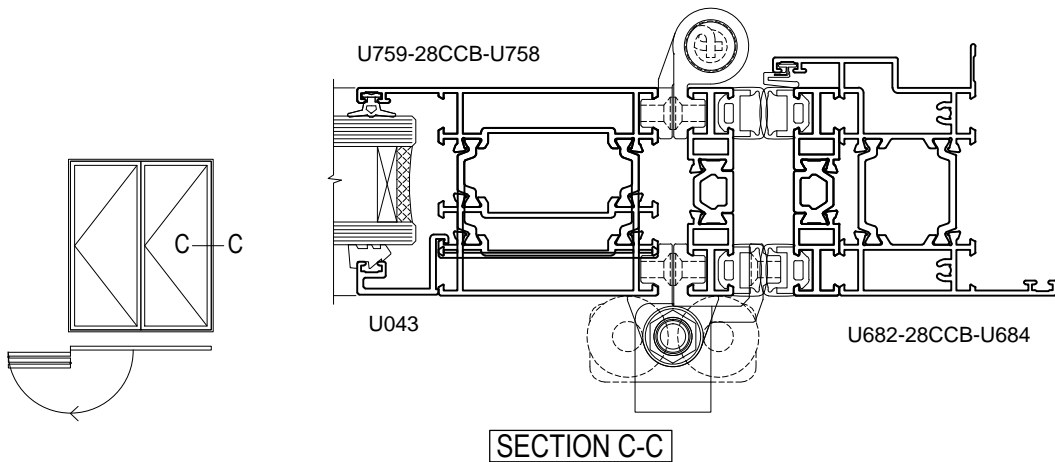
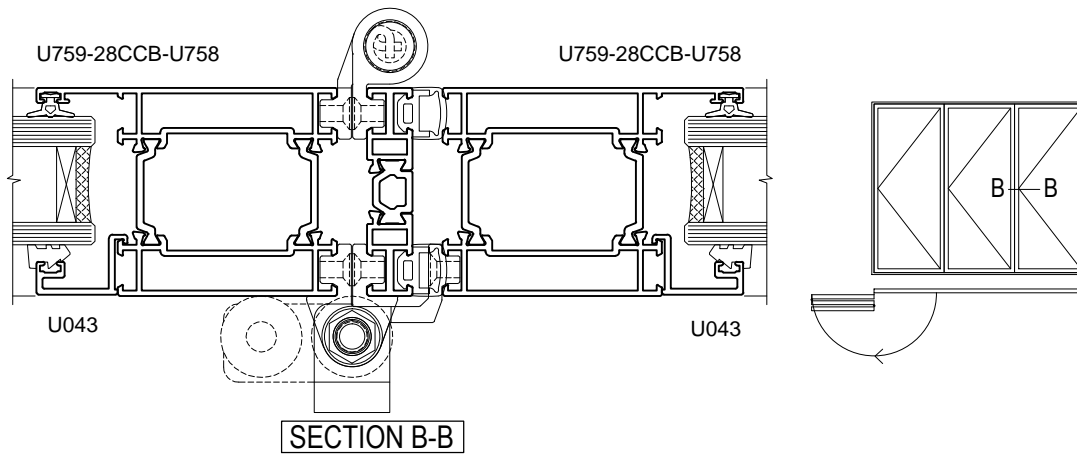
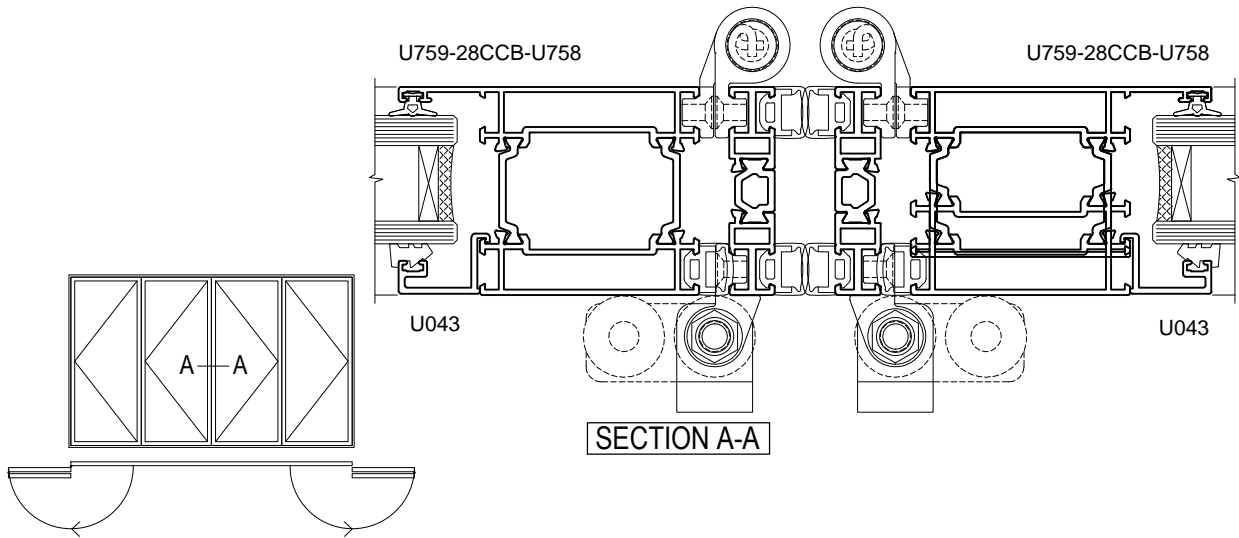
SECTION C-C

BOTTOM ROLLING BI-FOLD DOOR

FAIRVIEW SYSTEMS LIMITED SPECIFIERS GUIDE 2014 © TECHNICAL SPECIFICATIONS & PROFILE DETAILS SUBJECT TO CHANGE WITHOUT NOTICE

THERMAL LINEAR TL55

DATE 05.11.2014	SCALE 1:2
REF. TL55.0023	



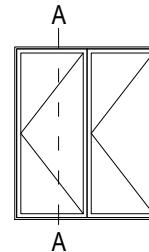
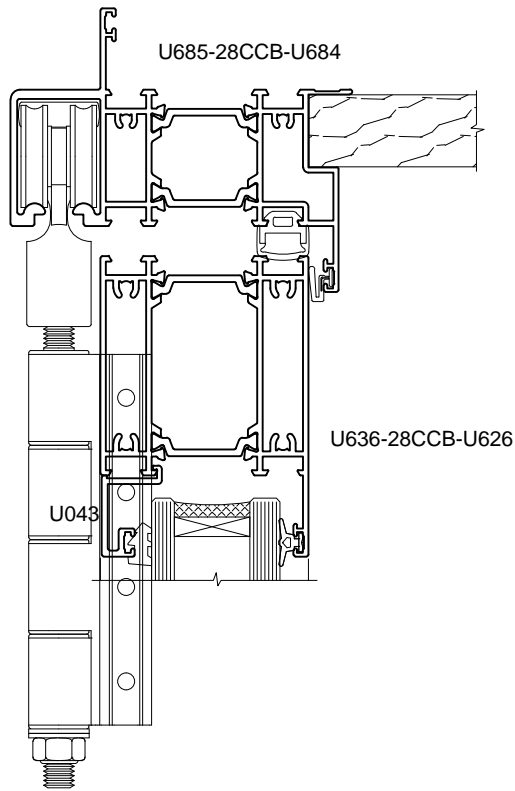
FREEFOLD

BOTTOM ROLLING BI-FOLD DOOR

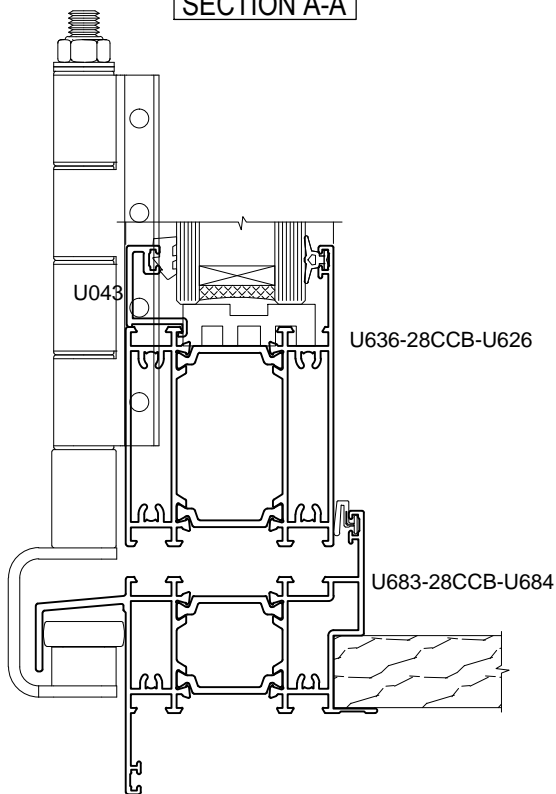
FAIRVIEW SYSTEMS LIMITED SPECIFIERS GUIDE 2014 © TECHNICAL SPECIFICATIONS & PROFILE DETAILS SUBJECT TO CHANGE WITHOUT NOTICE

THERMAL LINEAR TL55

DATE 05.11.2014	SCALE 1:2
REF. TL55.0024	



SECTION A-A

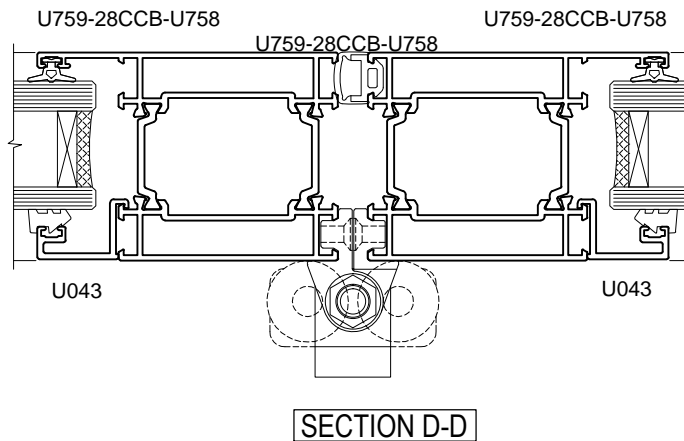
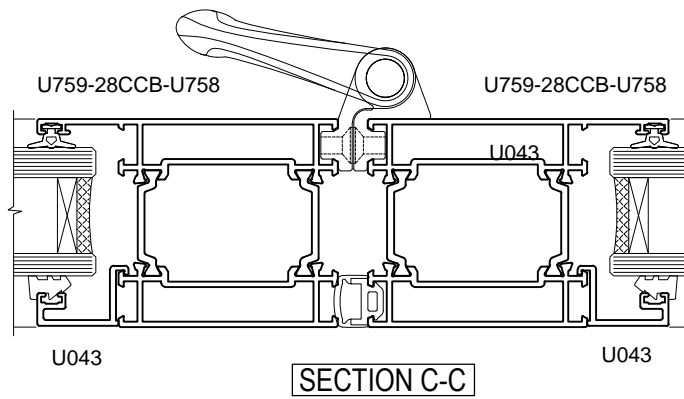
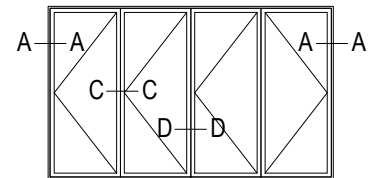
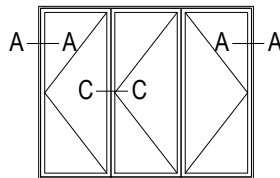
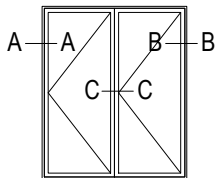
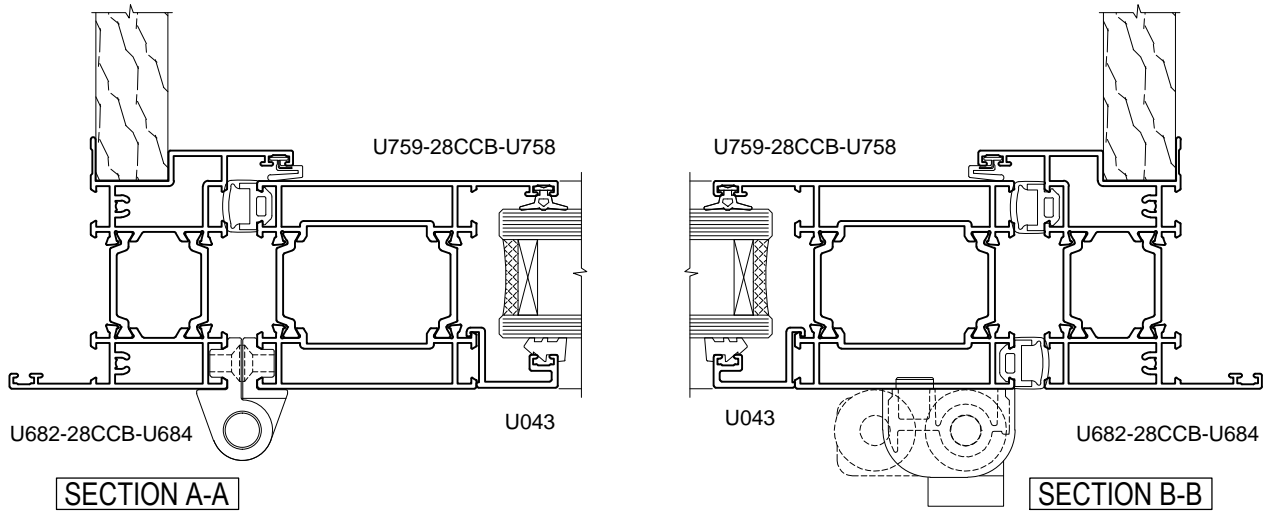


TOP HUNG BI-FOLD DOOR

FAIRVIEW SYSTEMS LIMITED SPECIFIERS GUIDE 2014 © TECHNICAL SPECIFICATIONS & PROFILE DETAILS SUBJECT TO CHANGE WITHOUT NOTICE

THERMAL LINEAR TL55

DATE 05.11.2014	SCALE 1:2
REF. TL55.0031	

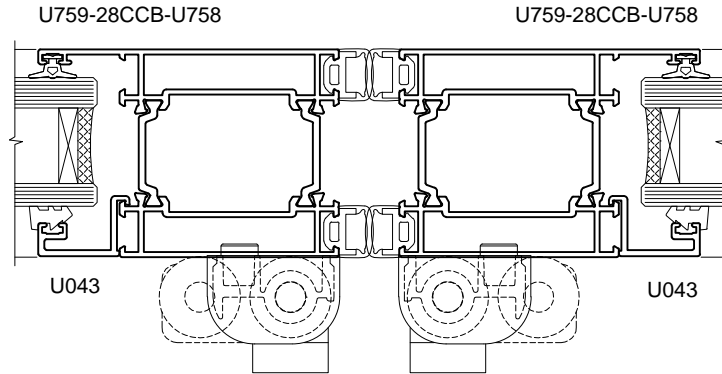


TOP HUNG BI-FOLD DOOR

FAIRVIEW SYSTEMS LIMITED SPECIFIERS GUIDE 2014 © TECHNICAL SPECIFICATIONS & PROFILE DETAILS SUBJECT TO CHANGE WITHOUT NOTICE

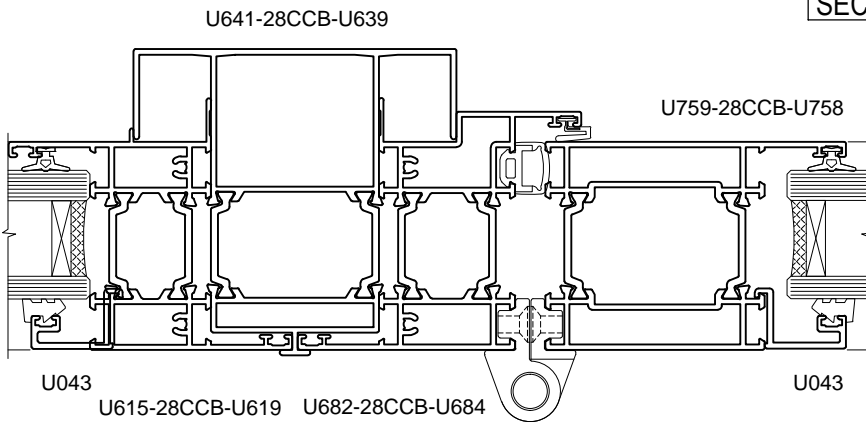
THERMAL LINEAR TL55

DATE 05.11.2014	SCALE 1:2
REF. TL55.0032	

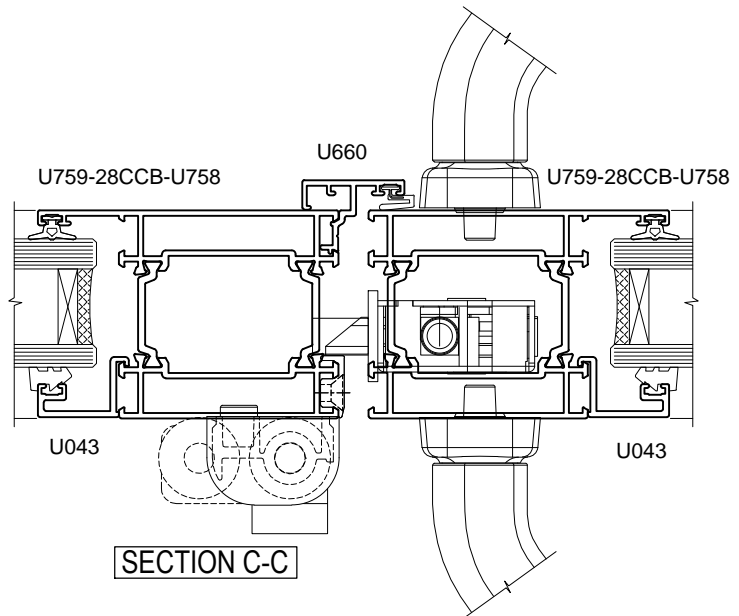
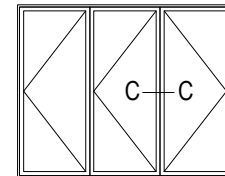
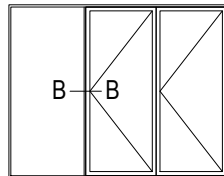
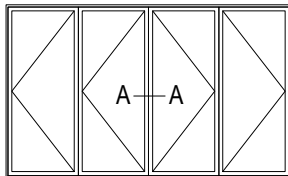


SECTION A-A

SECTION B-B



U615-28CCB-U619 U682-28CCB-U684



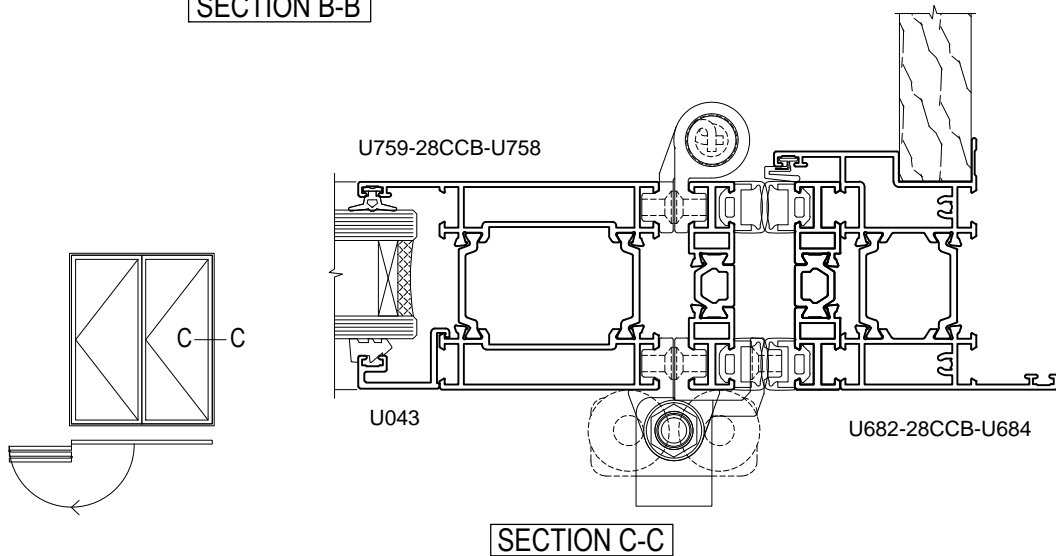
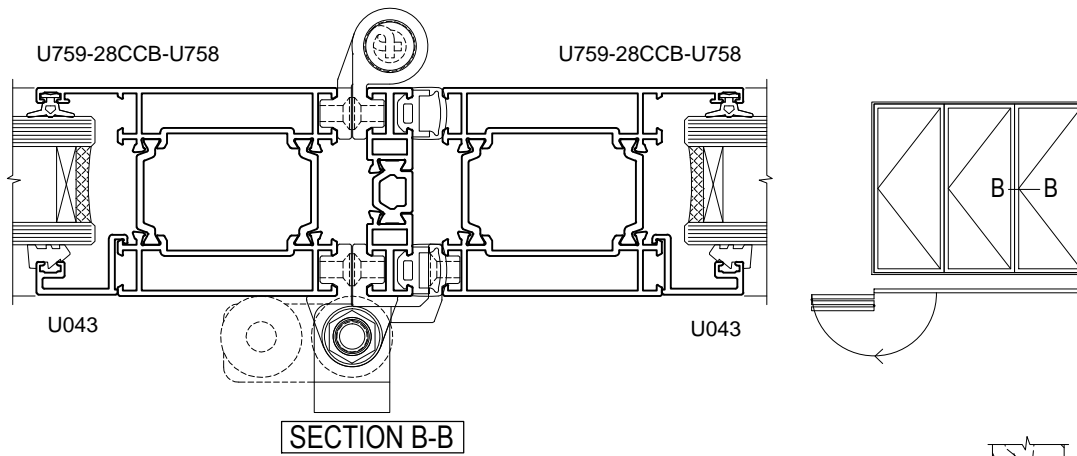
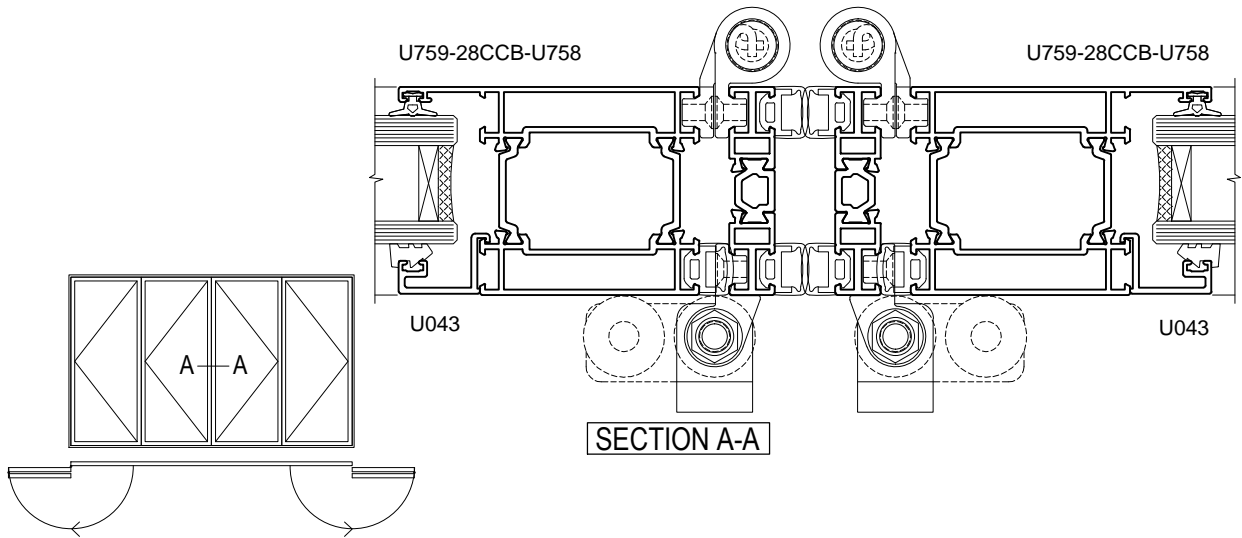
SECTION C-C

TOP HUNG BI-FOLD DOOR

FAIRVIEW SYSTEMS LIMITED SPECIFIERS GUIDE 2014 © TECHNICAL SPECIFICATIONS & PROFILE DETAILS SUBJECT TO CHANGE WITHOUT NOTICE

THERMAL LINEAR TL55

DATE 05.11.2014	SCALE 1:2
REF. TL55.0033	



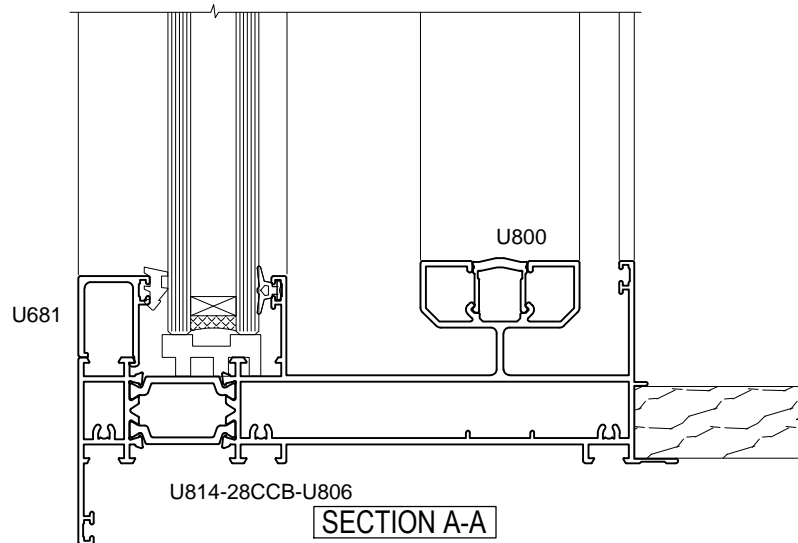
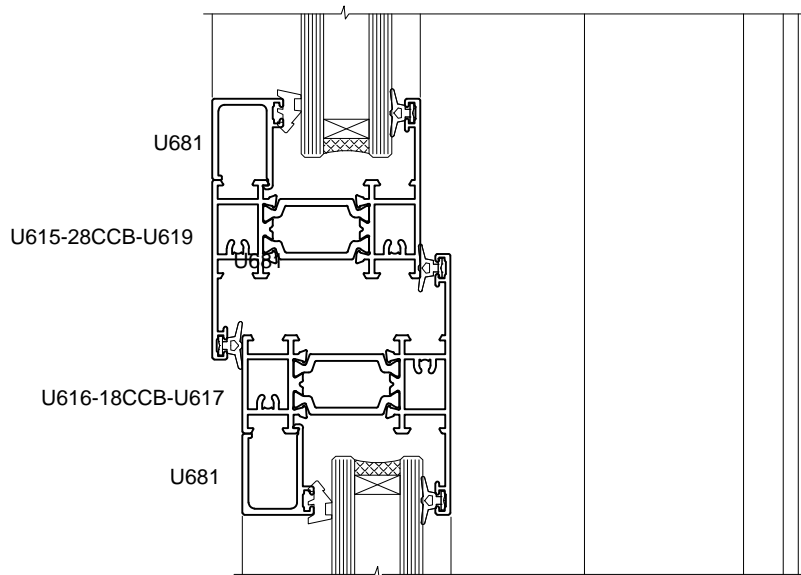
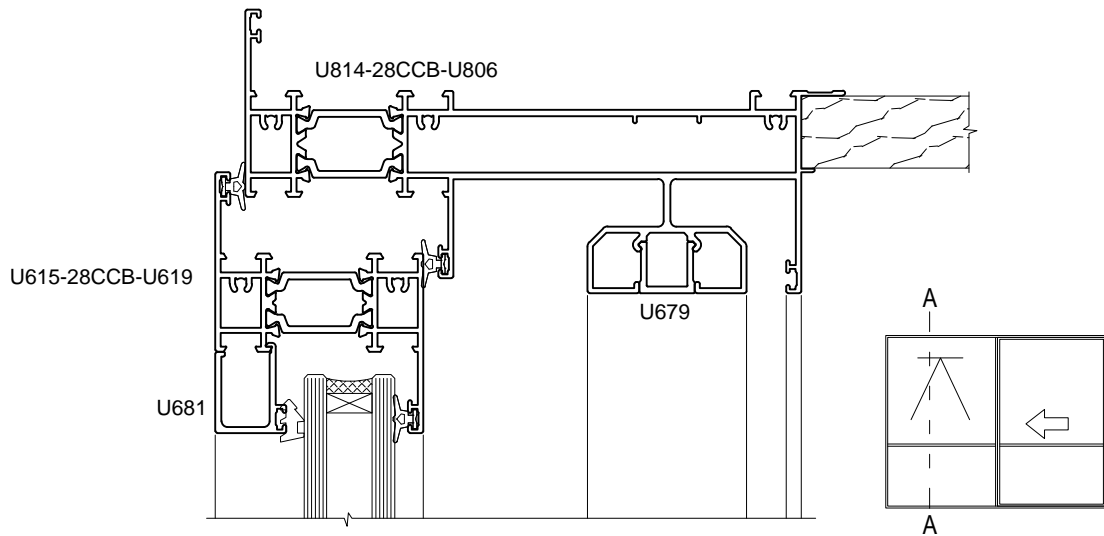
FREEFOLD

TOP HUNG BI-FOLD DOOR

FAIRVIEW SYSTEMS LIMITED SPECIFIERS GUIDE 2014 © TECHNICAL SPECIFICATIONS & PROFILE DETAILS SUBJECT TO CHANGE WITHOUT NOTICE

THERMAL LINEAR TL55

DATE 05.11.2014	SCALE 1:2
REF. TL55.0034	

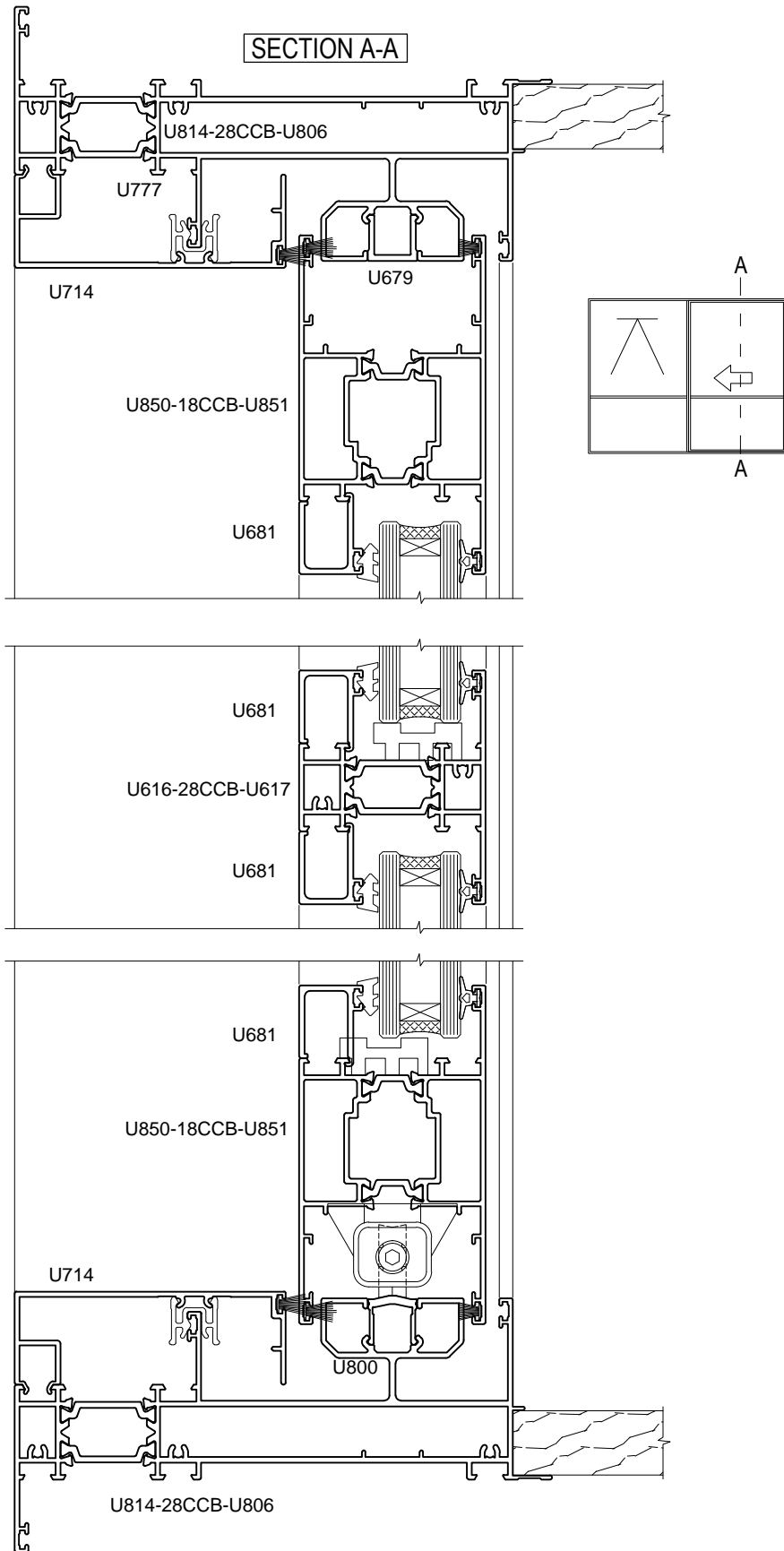


SLIDING DOOR

FAIRVIEW SYSTEMS LIMITED SPECIFIERS GUIDE 2014 © TECHNICAL SPECIFICATIONS & PROFILE DETAILS SUBJECT TO CHANGE WITHOUT NOTICE

THERMAL LINEAR TL55

DATE 05.11.2014	SCALE 1:2
REF. TL55.0041	

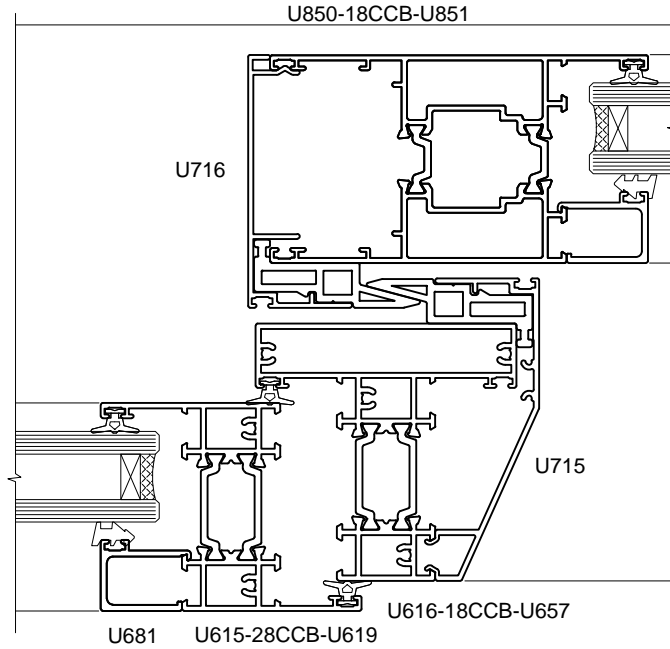
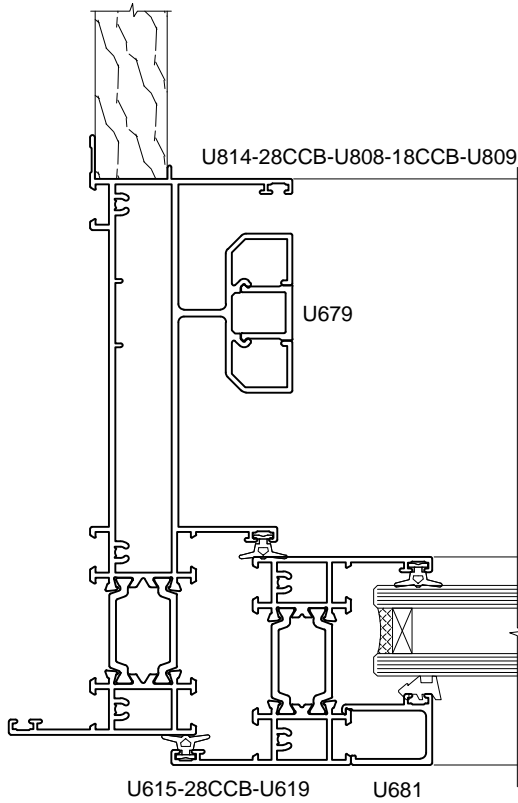


SLIDING DOOR

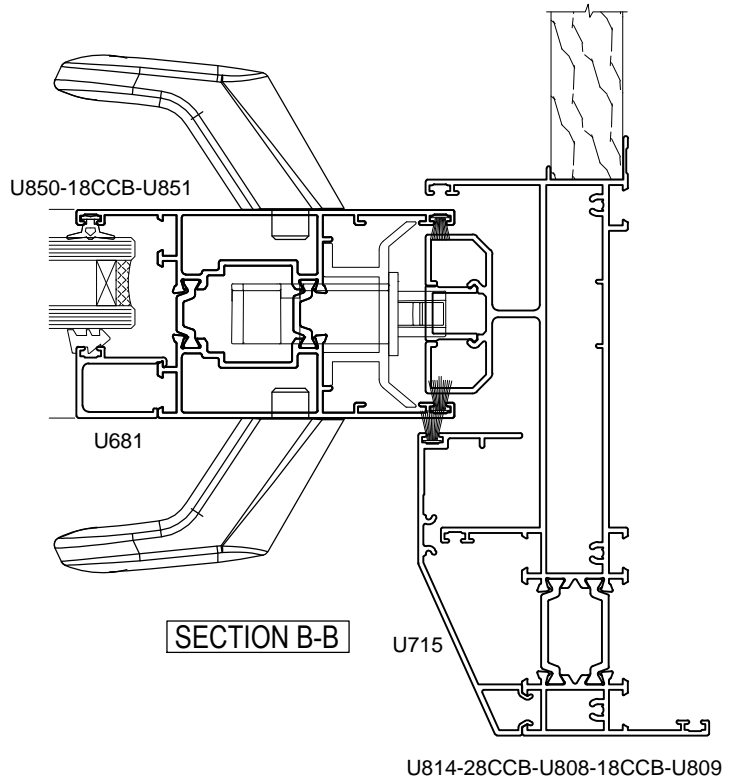
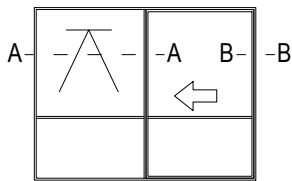
FAIRVIEW SYSTEMS LIMITED SPECIFIERS GUIDE 2014 © TECHNICAL SPECIFICATIONS & PROFILE DETAILS SUBJECT TO CHANGE WITHOUT NOTICE

THERMAL LINEAR TL55

DATE 05.11.2014	SCALE 1:2
REF. TL55.0042	



SECTION A-A



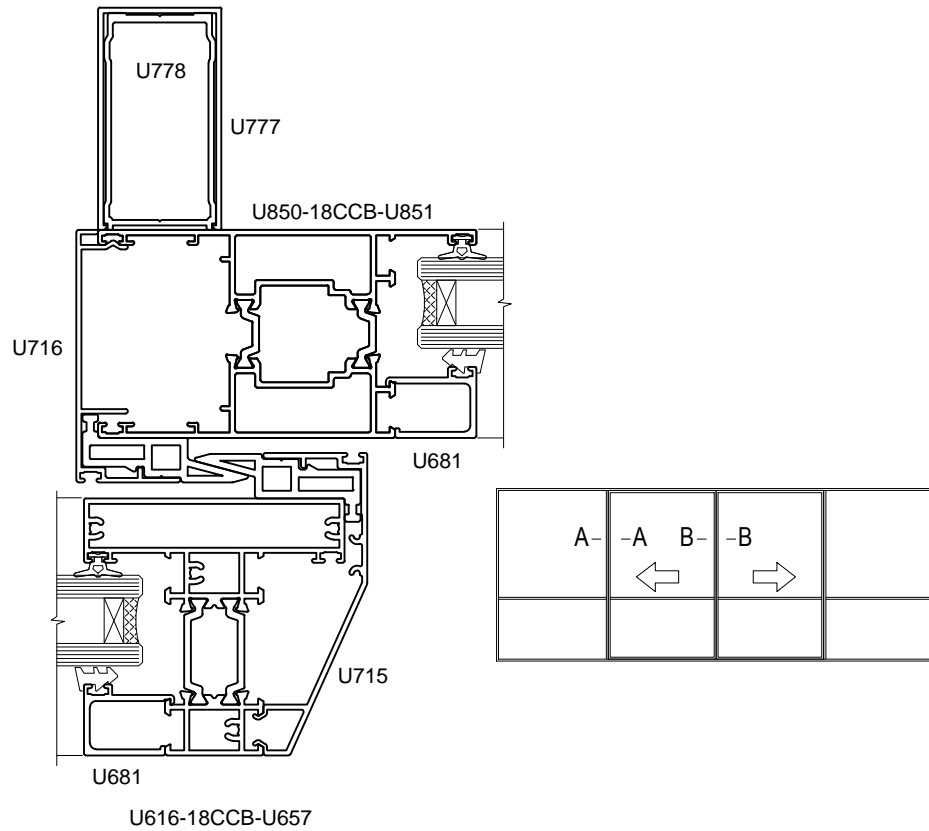
SECTION B-B

SLIDING DOOR

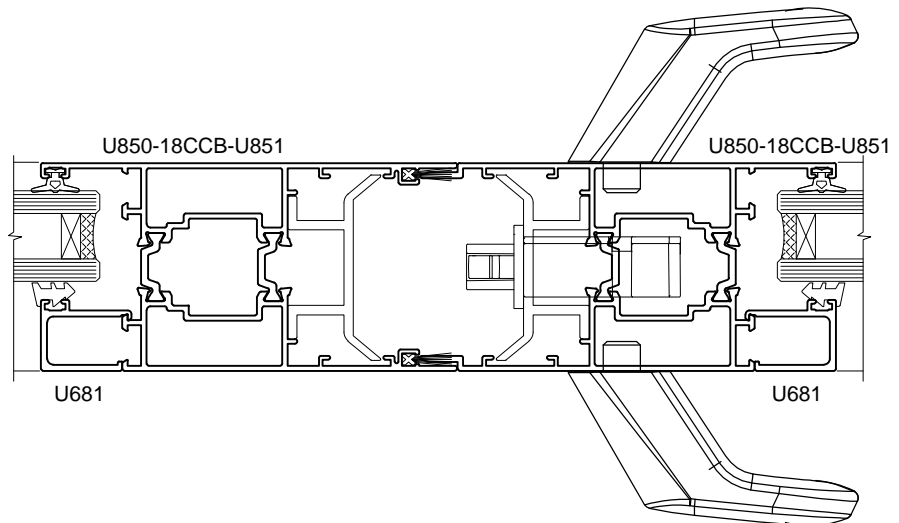
FAIRVIEW SYSTEMS LIMITED SPECIFIERS GUIDE 2014 © TECHNICAL SPECIFICATIONS & PROFILE DETAILS SUBJECT TO CHANGE WITHOUT NOTICE

THERMAL LINEAR TL55

DATE 05.11.2014	SCALE 1:2
REF. TL55.0043	



SECTION A-A



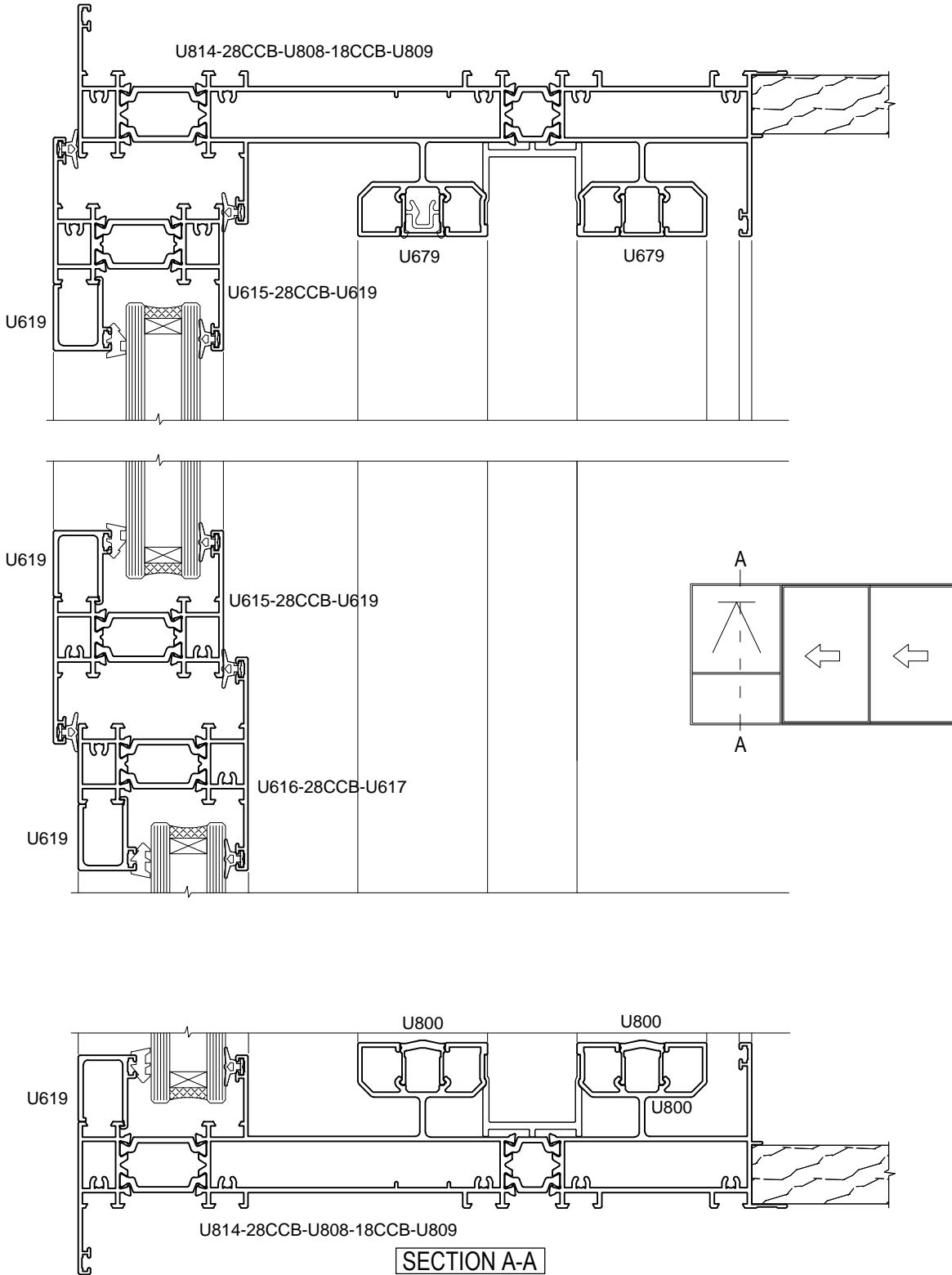
SECTION B-B

SLIDING DOOR

FAIRVIEW SYSTEMS LIMITED SPECIFIERS GUIDE 2014 © TECHNICAL SPECIFICATIONS & PROFILE DETAILS SUBJECT TO CHANGE WITHOUT NOTICE

THERMAL LINEAR TL55

DATE 05.11.2014	SCALE 1:2
REF. TL55.0044	

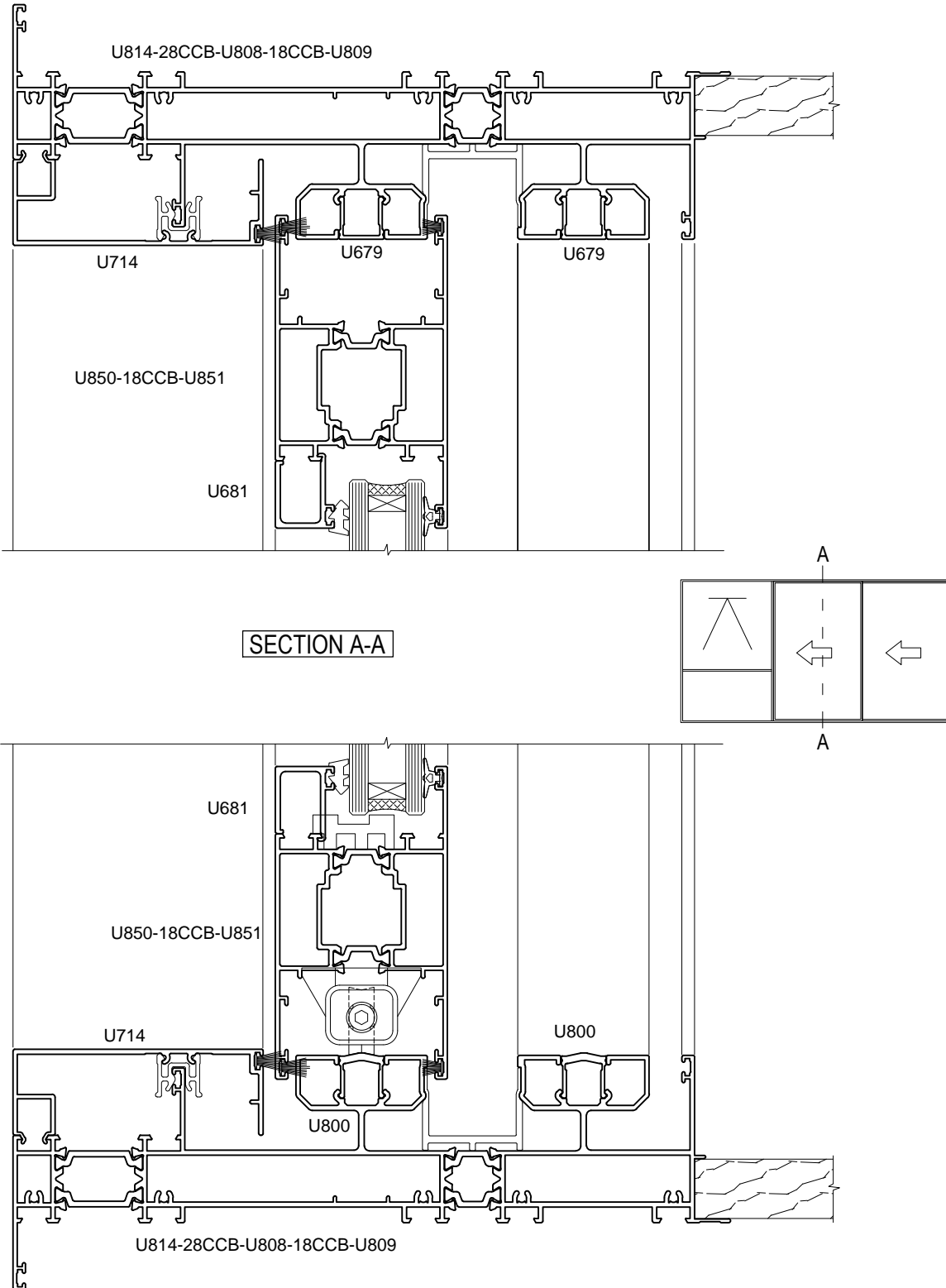


STACKING DOOR

FAIRVIEW SYSTEMS LIMITED SPECIFIERS GUIDE 2014 © TECHNICAL SPECIFICATIONS & PROFILE DETAILS SUBJECT TO CHANGE WITHOUT NOTICE

THERMAL LINEAR TL55

DATE 05.11.2014	SCALE 1:2
REF. TL55.0051	

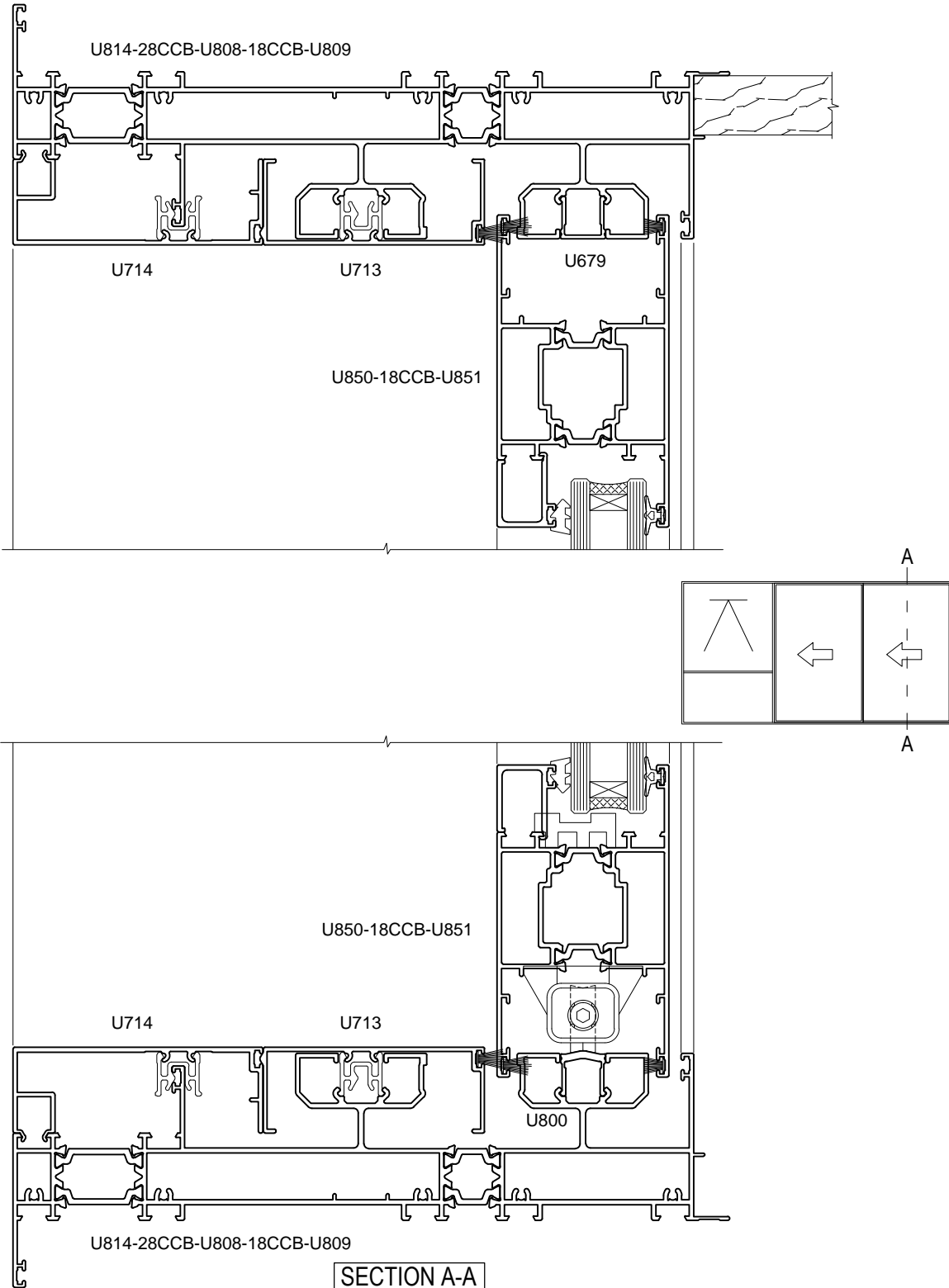


STACKING DOOR

FAIRVIEW SYSTEMS LIMITED SPECIFIERS GUIDE 2014 © TECHNICAL SPECIFICATIONS & PROFILE DETAILS SUBJECT TO CHANGE WITHOUT NOTICE

THERMAL LINEAR TL55

DATE 05.11.2014	SCALE 1:2
REF. TL55.0052	

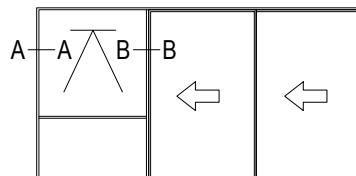
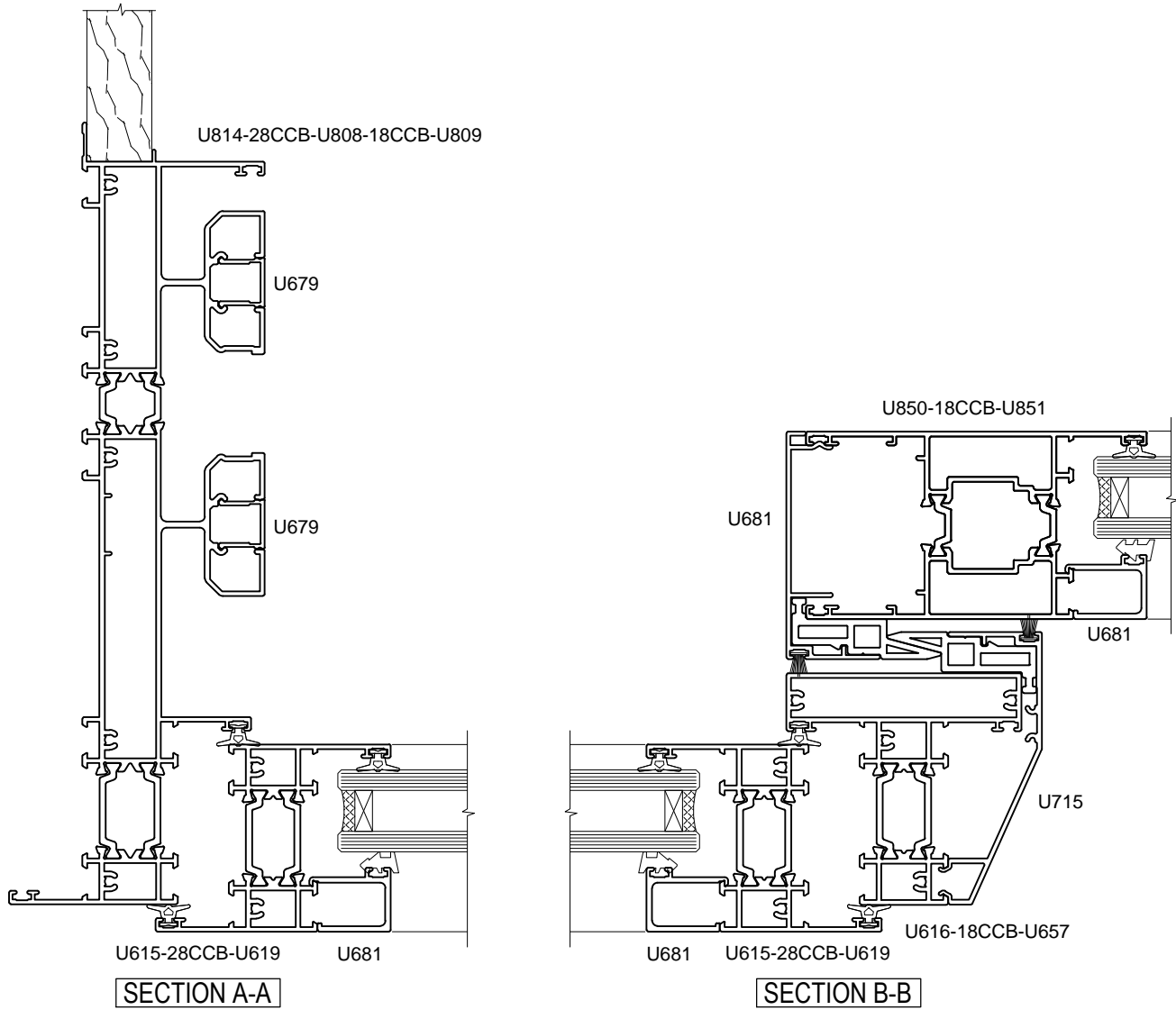


STACKING DOOR

FAIRVIEW SYSTEMS LIMITED SPECIFIERS GUIDE 2014 © TECHNICAL SPECIFICATIONS & PROFILE DETAILS SUBJECT TO CHANGE WITHOUT NOTICE

THERMAL LINEAR TL55

DATE 05.11.2014	SCALE 1:2
REF. TL55.0053	

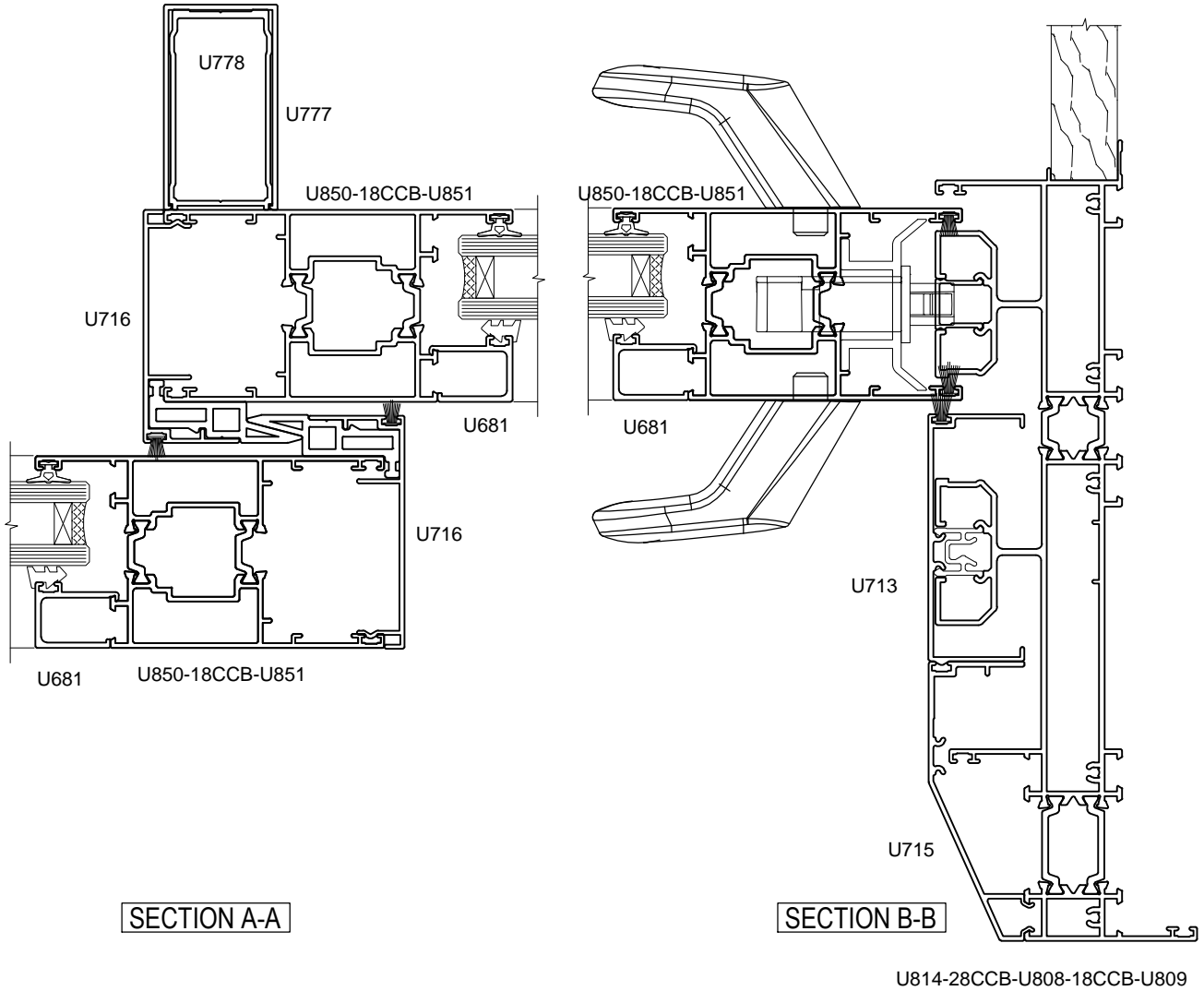


STACKING DOOR

FAIRVIEW SYSTEMS LIMITED SPECIFIERS GUIDE 2014 © TECHNICAL SPECIFICATIONS & PROFILE DETAILS SUBJECT TO CHANGE WITHOUT NOTICE

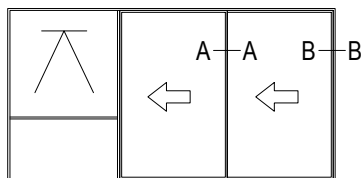
THERMAL LINEAR TL55

DATE 05.11.2014	SCALE 1:2
REF. TL55.0054	



SECTION A-A

SECTION B-B

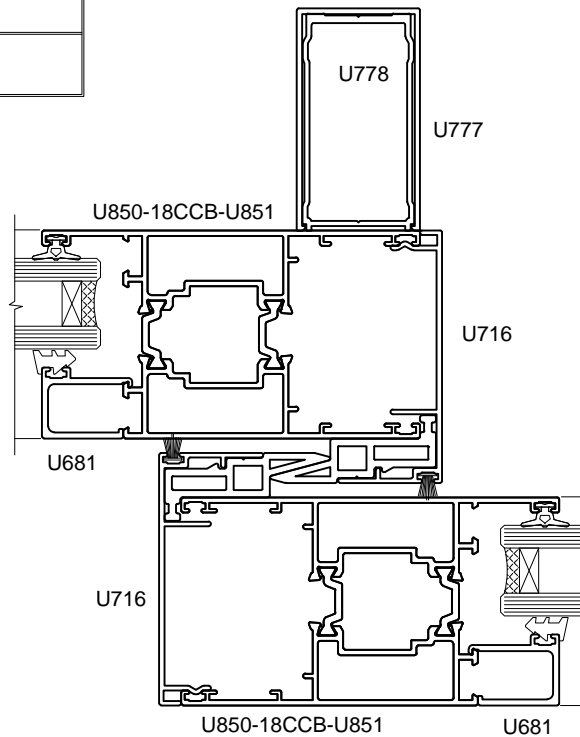
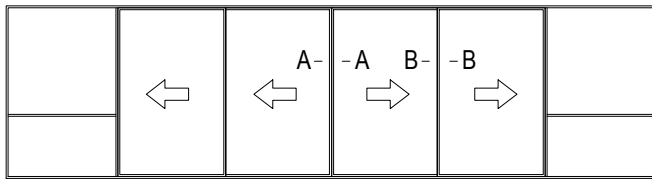
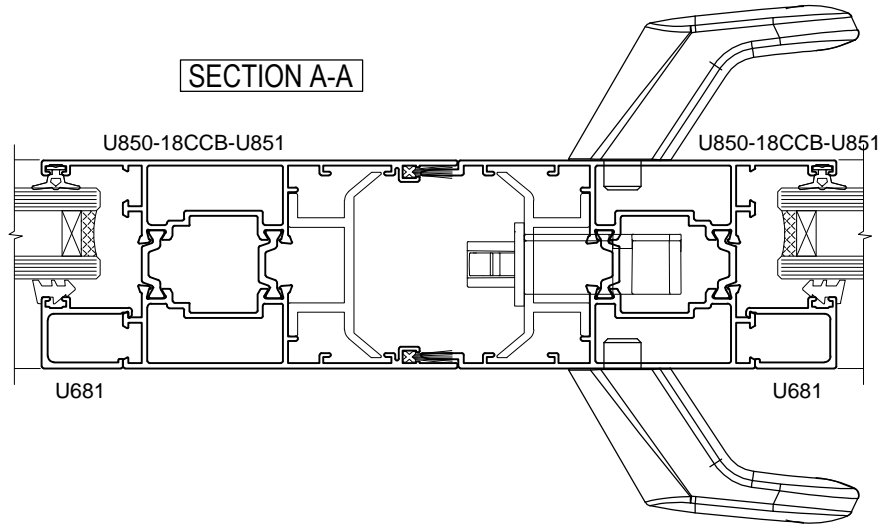


STACKING DOOR

FAIRVIEW SYSTEMS LIMITED SPECIFIERS GUIDE 2014 © TECHNICAL SPECIFICATIONS & PROFILE DETAILS SUBJECT TO CHANGE WITHOUT NOTICE

THERMAL LINEAR TL55

DATE 05.11.2014	SCALE 1:2
REF. TL55.0055	



STACKING DOOR

FAIRVIEW SYSTEMS LIMITED SPECIFIERS GUIDE 2014 © TECHNICAL SPECIFICATIONS & PROFILE DETAILS SUBJECT TO CHANGE WITHOUT NOTICE

THERMAL LINEAR TL55

DATE 05.11.2014	SCALE 1:2
REF. TL55.0056	