



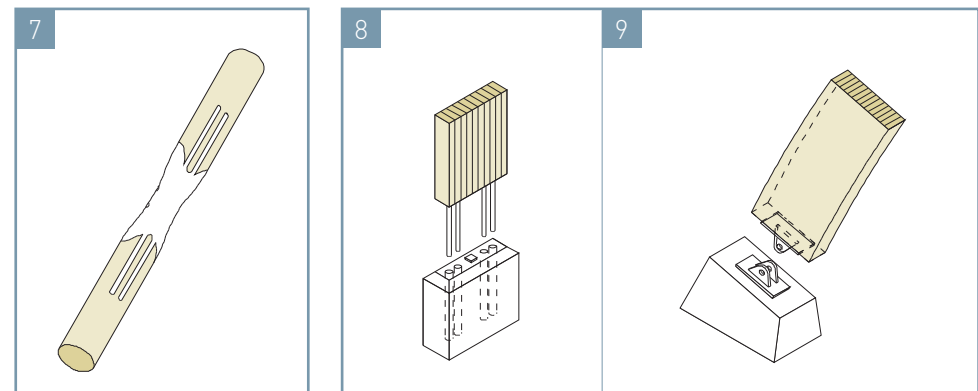
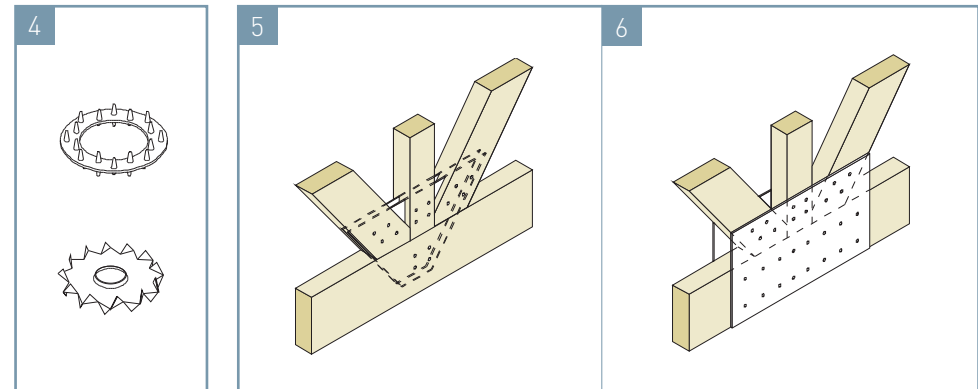
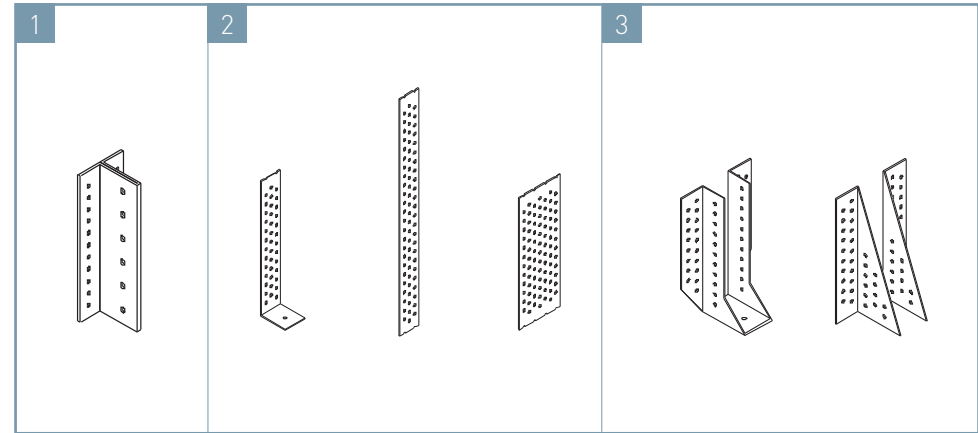
# Fabricated Joint Examples.



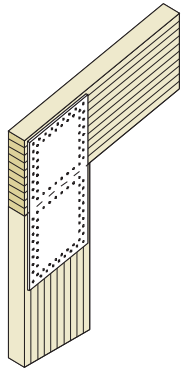
0800 832 452 // [info@techlam.co.nz](mailto:info@techlam.co.nz) // [techlam.co.nz](http://techlam.co.nz)

## Typical Structural Bracket Examples

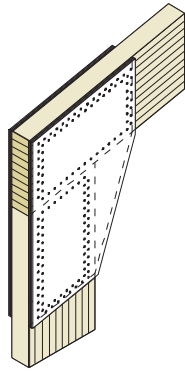
- 1 Metal Connectors - Beam Connectors
  - 2 Metal Connectors - Perforated Plates / Straps
  - 3 Metal Connectors - Joist Hangers
- 
- 4 Two-sided shear connectors
- 
- 5 Truss Joint - Internal Metal Gusset Plate
  - 6 Truss Joint - Side Gusset Plates
- 
- 7 IBM Travelling Pavilion Glued Custom Joint - Cast Aluminium Fingered Connector
- 
- 8 Foot Joint - Epoxied Bars
  - 9 Foot Joint - Exposed Pin Joint
- 
- 10 Knee Joint - Nailed Side Steel Plates
  - 11 Knee Joint - Nailed Plywood Gussets
  - 12 Knee Joint - Epoxied Rods & Steel Connector
  - 13 Knee Joint - Glued Cross Lap
  - 14 Knee Joint - Mechanically Fastened Cross Lap with Pressed-in Metal Dowels
  - 15 Knee Joint - Bolt Fixed Triangulated Brace
- 
- 16 Beam-Grid - Welded Joint Plate
  - 17 Deep Beam-Grid - Welded Joint Plate
  - 18 Beam-Column Joint - Epoxied Bars
  - 19 Beam-Column Joint - Steel Hanger with Central Web
- 
- 20 Prefabricated Connector - Tube Post Support
  - 21 Prefabricated Connector - Post Support U Bracket
  - 22 Prefabricated Connector - Rag Strap Post Support
  - 23 Prefabricated Connector - U Bracket
  - 24 Prefabricated Connector - L Bracket
  - 25 Prefabricated Connector - T Bracket
- 
- 26 Thorncrown Chapel Custom Joint - Roof Truss Joint - Screwed



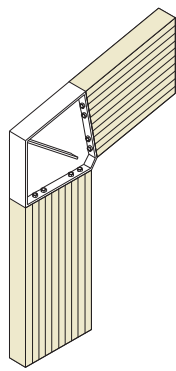
10



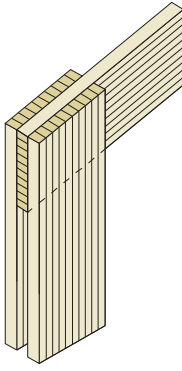
11



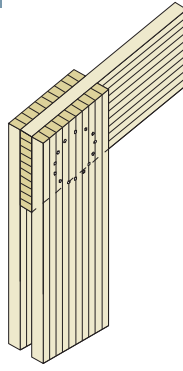
12



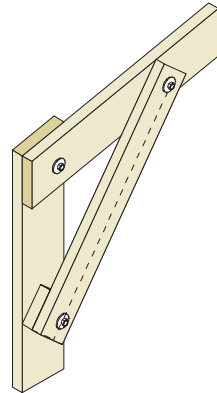
13



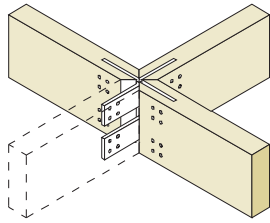
14



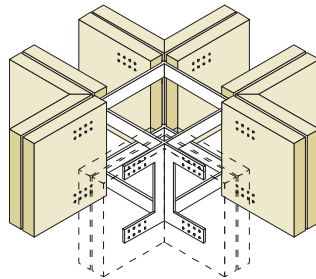
15



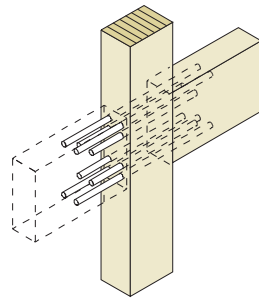
16



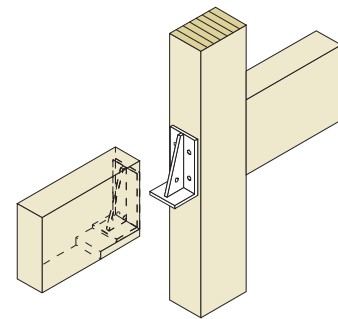
17



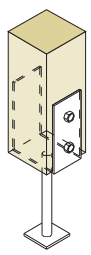
18



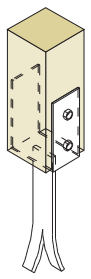
19



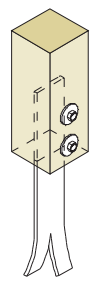
20



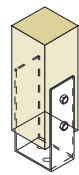
21



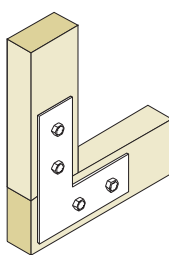
22



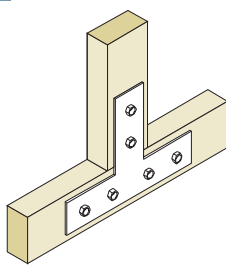
23



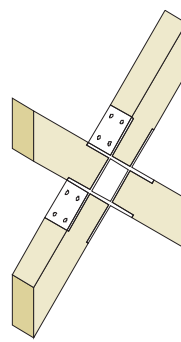
24



25



26





0800 832 452 // [info@techlam.co.nz](mailto:info@techlam.co.nz) // [techlam.co.nz](http://techlam.co.nz)