

## AWNING / CASEMENT WINDOW

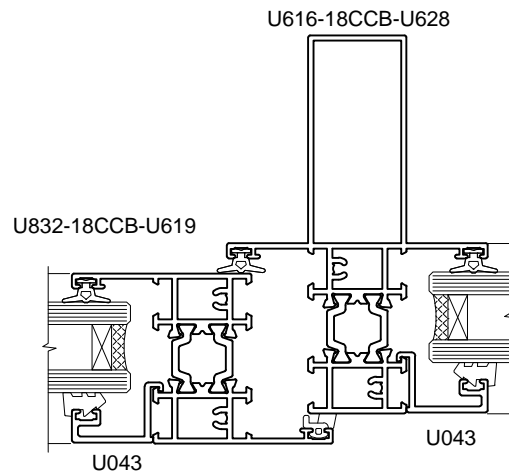
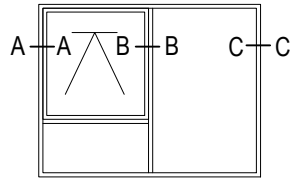
FAIRVIEW SYSTEMS LIMITED SPECIFIERS GUIDE 2014 © TECHNICAL SPECIFICATIONS & PROFILE DETAILS SUBJECT TO CHANGE WITHOUT NOTICE

**THERMAL LINEAR TL45**

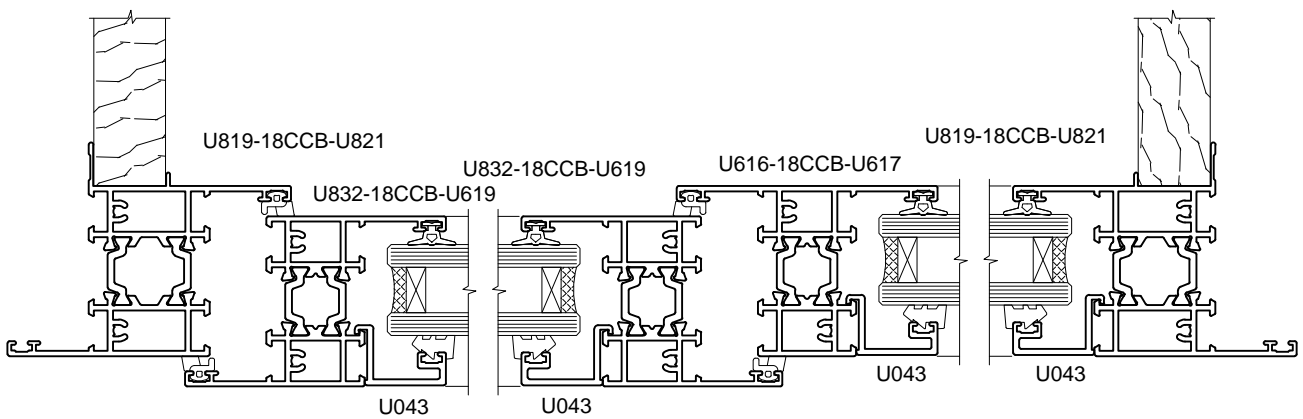
DATE  
05.11.2014

SCALE  
1:2

REF. TL45.0001



SECTION B-B



SECTION A-A

SECTION B-B

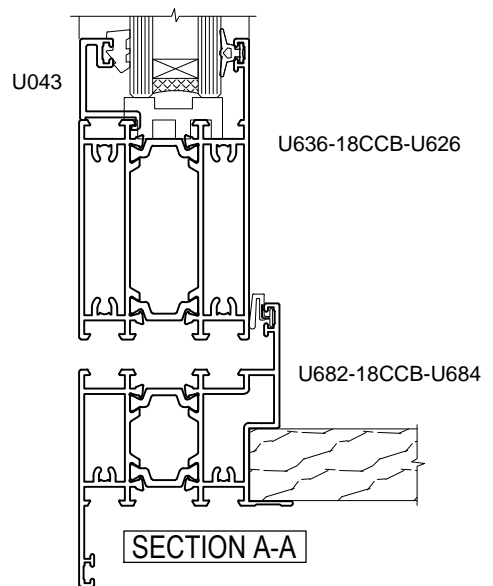
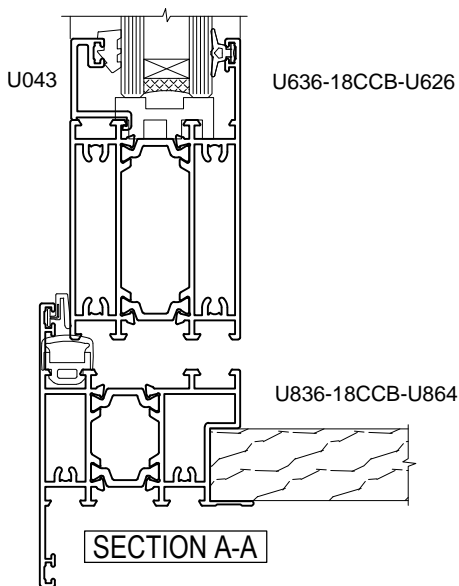
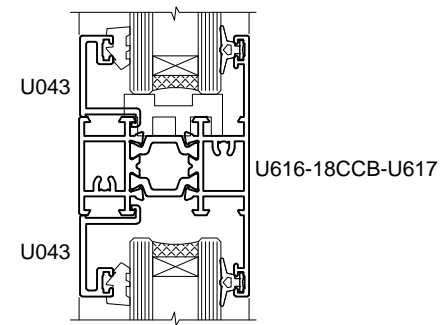
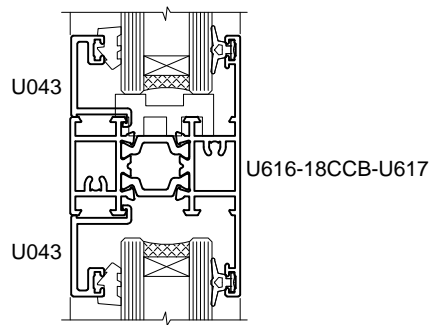
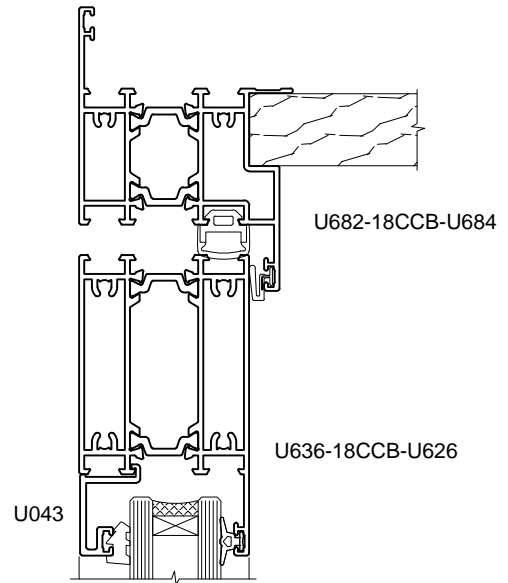
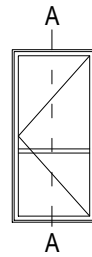
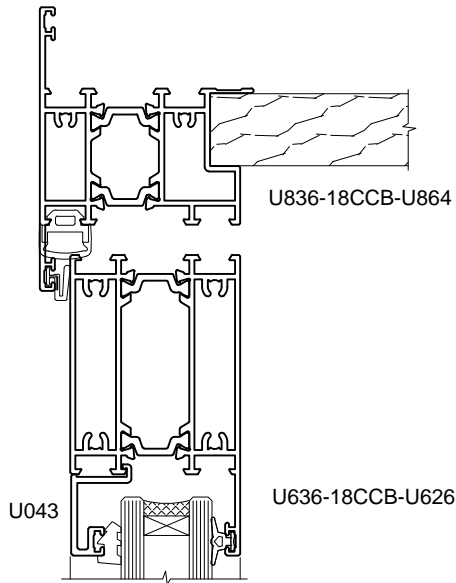
SECTION C-C

## AWNING / CASEMENT WINDOW

FAIRVIEW SYSTEMS LIMITED SPECIFIERS GUIDE 2014 © TECHNICAL SPECIFICATIONS & PROFILE DETAILS SUBJECT TO CHANGE WITHOUT NOTICE

**THERMAL LINEAR TL45**

DATE 05.11.2014	SCALE 1:2
REF. TL45.0002	

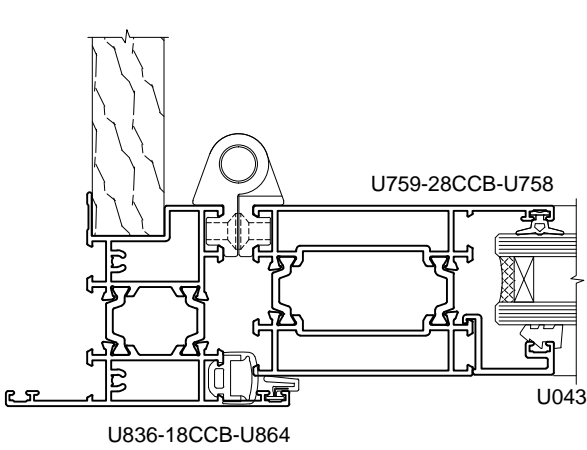


## HINGED DOOR

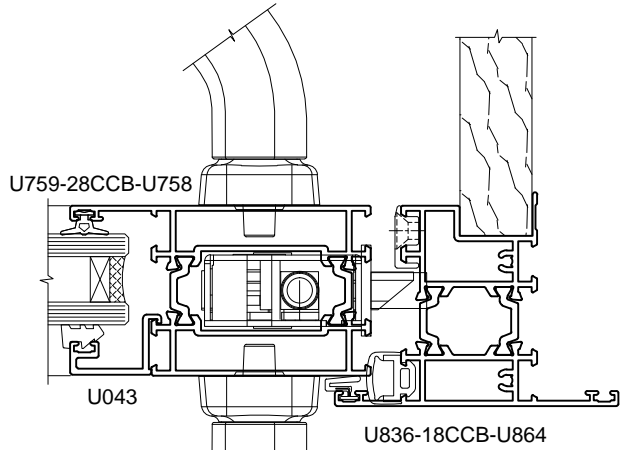
FAIRVIEW SYSTEMS LIMITED SPECIFIERS GUIDE 2014 © TECHNICAL SPECIFICATIONS & PROFILE DETAILS SUBJECT TO CHANGE WITHOUT NOTICE

### THERMAL LINEAR TL45

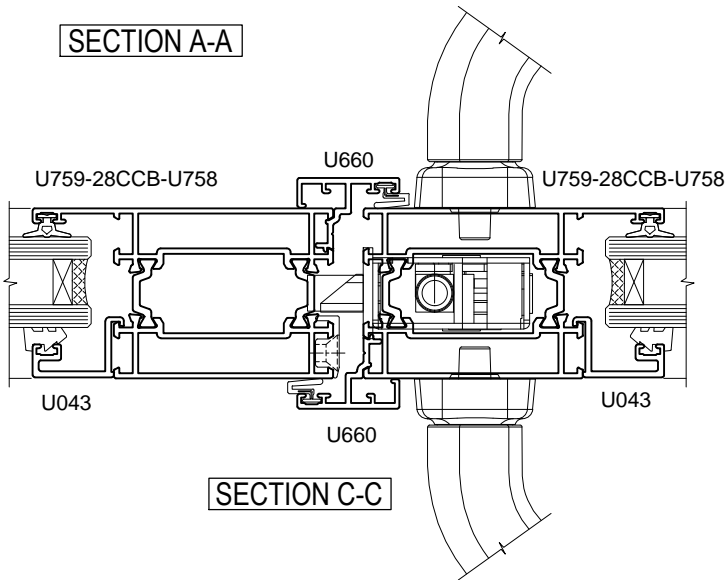
DATE 05.11.2014	SCALE 1:2
REF. TL45.0011	



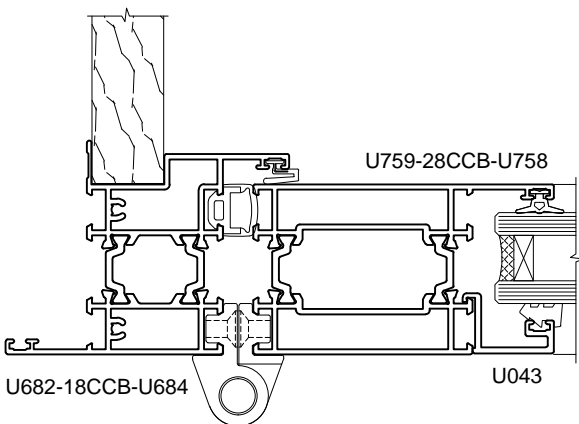
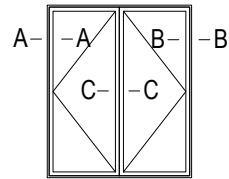
SECTION A-A



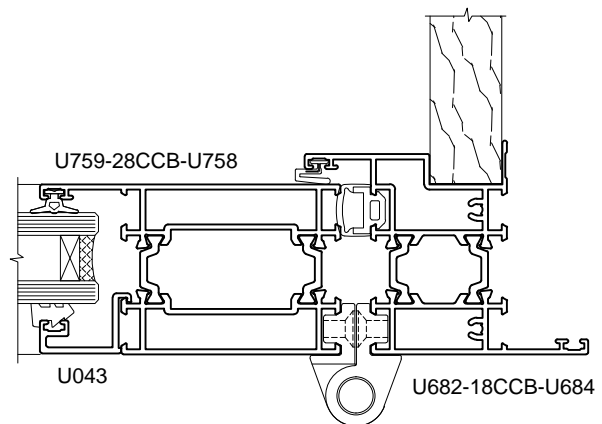
SECTION B-B



SECTION C-C



SECTION A-A



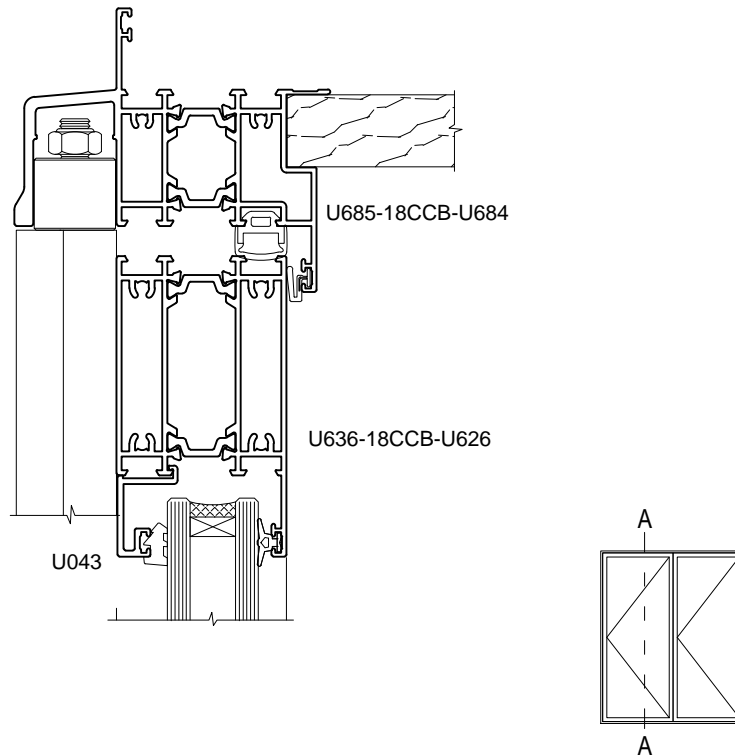
SECTION B-B

## HINGED DOOR

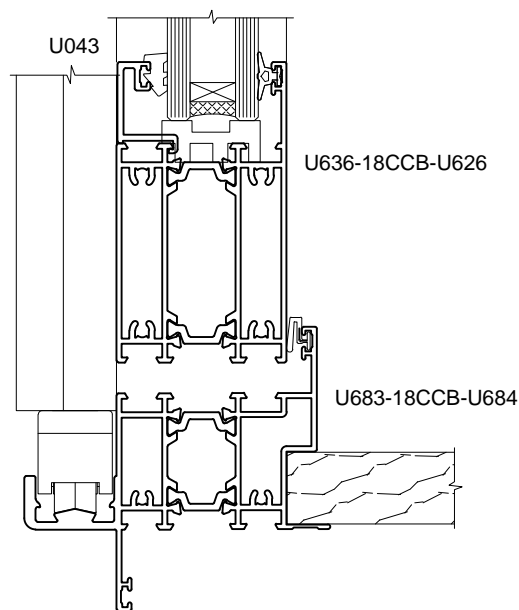
FAIRVIEW SYSTEMS LIMITED SPECIFIERS GUIDE 2014 © TECHNICAL SPECIFICATIONS & PROFILE DETAILS SUBJECT TO CHANGE WITHOUT NOTICE

### THERMAL LINEAR TL45

DATE 05.11.2014	SCALE 1:2
REF. TL45.0012	



SECTION A-A

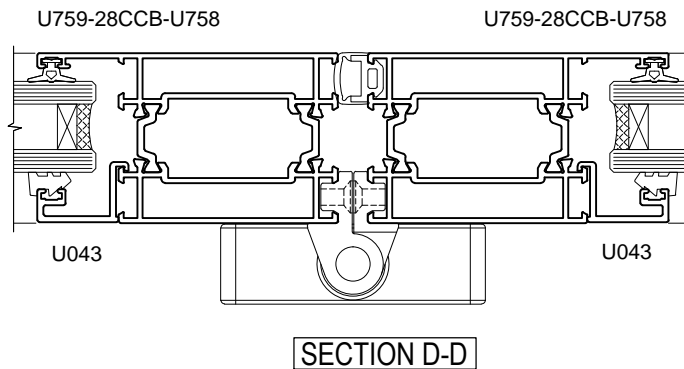
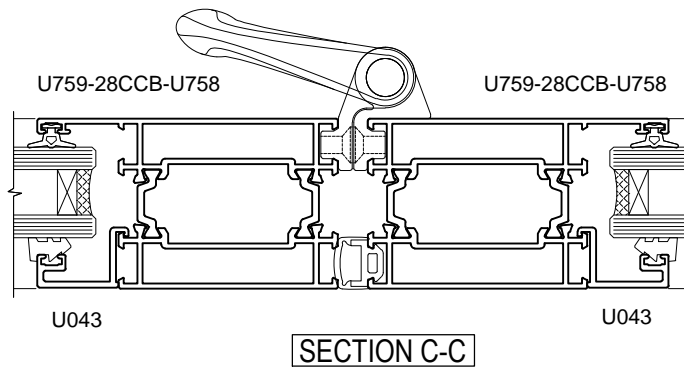
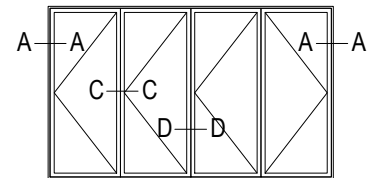
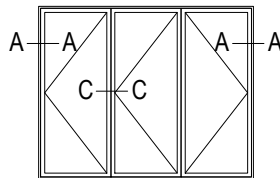
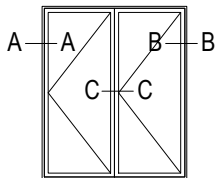
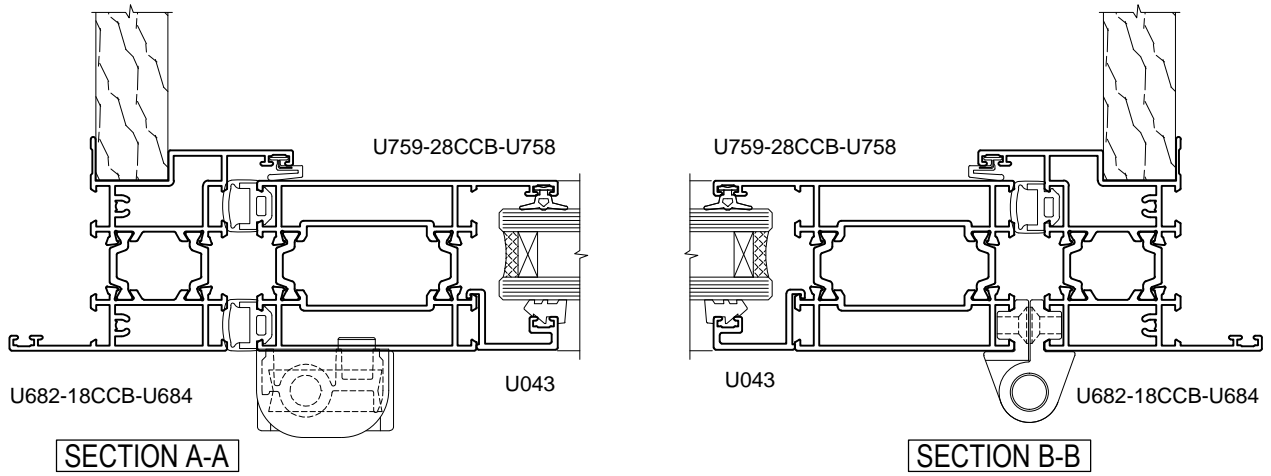


## BOTTOM ROLLING BI-FOLD DOOR

FAIRVIEW SYSTEMS LIMITED SPECIFIERS GUIDE 2014 © TECHNICAL SPECIFICATIONS & PROFILE DETAILS SUBJECT TO CHANGE WITHOUT NOTICE

**THERMAL LINEAR TL45**

DATE 05.11.2014	SCALE 1:2
REF. TL45.0021	

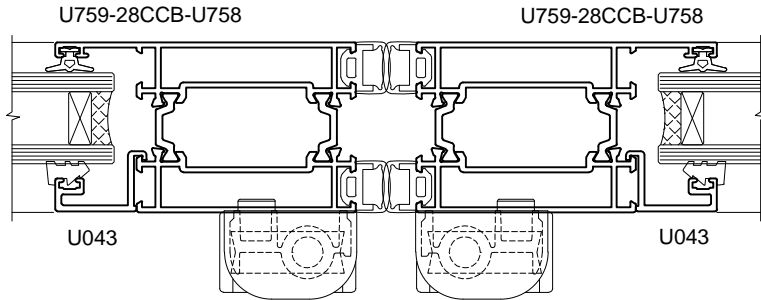


## BOTTOM ROLLING BI-FOLD DOOR

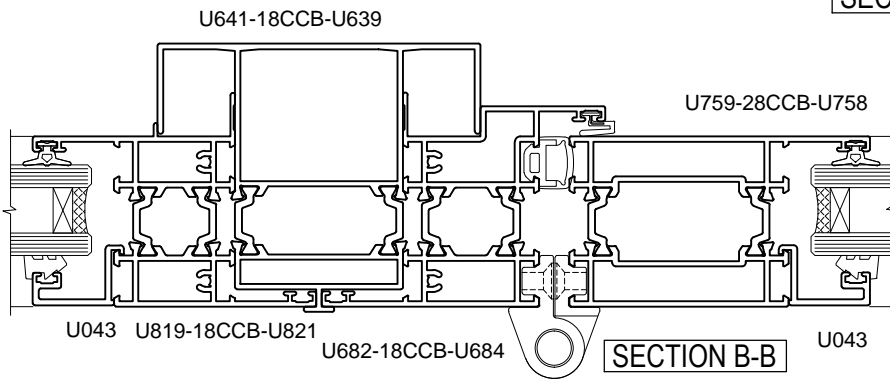
FAIRVIEW SYSTEMS LIMITED SPECIFIERS GUIDE 2014 © TECHNICAL SPECIFICATIONS & PROFILE DETAILS SUBJECT TO CHANGE WITHOUT NOTICE

### THERMAL LINEAR TL45

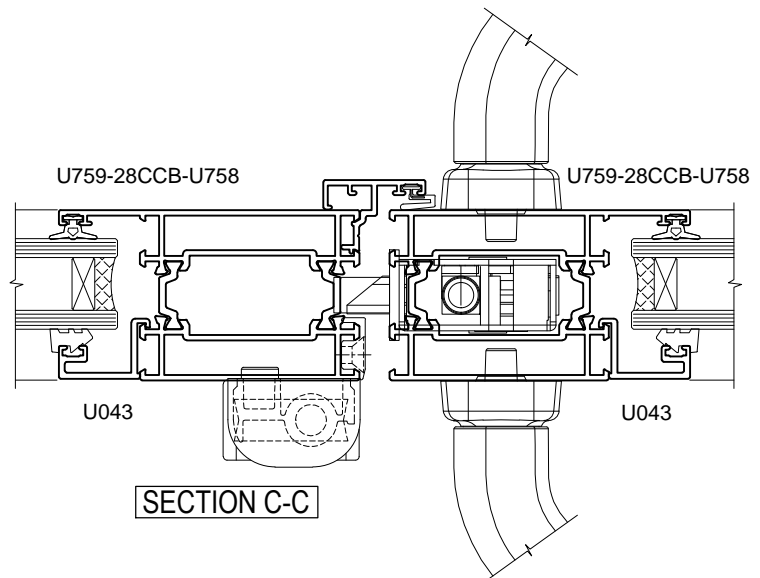
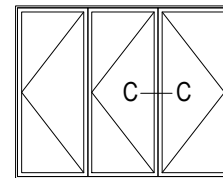
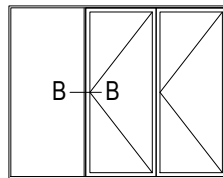
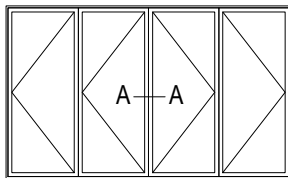
DATE 05.11.2014	SCALE 1:2
REF. TL45.0022	



**SECTION A-A**



**SECTION B-B**



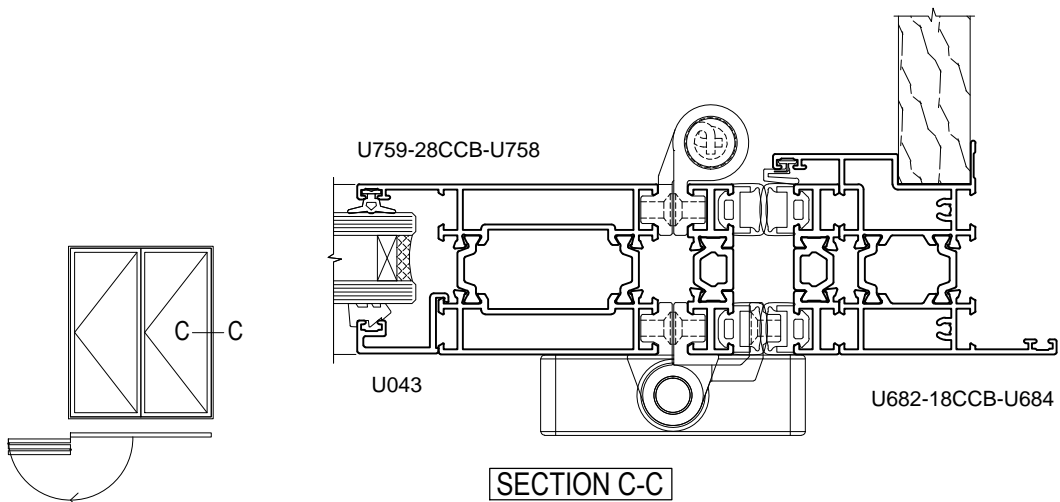
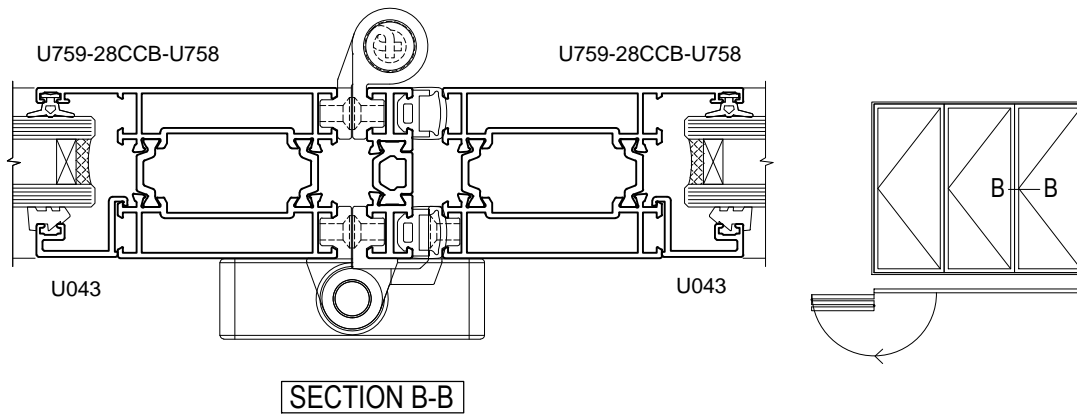
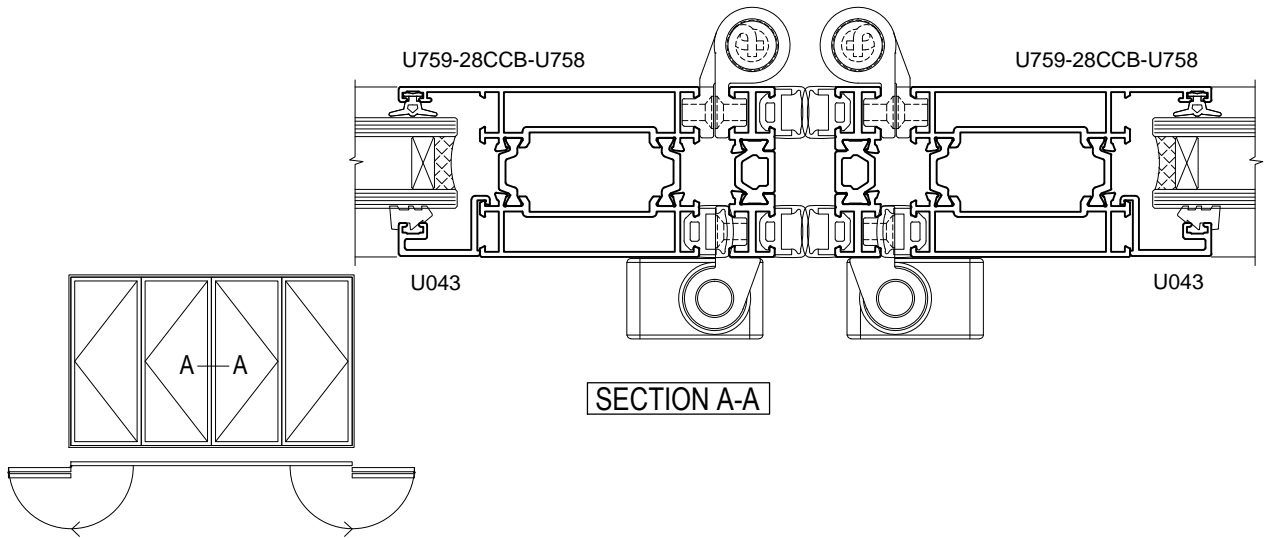
**SECTION C-C**

## BOTTOM ROLLING BI-FOLD DOOR

FAIRVIEW SYSTEMS LIMITED SPECIFIERS GUIDE 2014 © TECHNICAL SPECIFICATIONS & PROFILE DETAILS SUBJECT TO CHANGE WITHOUT NOTICE

**THERMAL LINEAR TL45**

DATE 05.11.2014	SCALE 1:2
REF. TL45.0023	



FREEFOLD

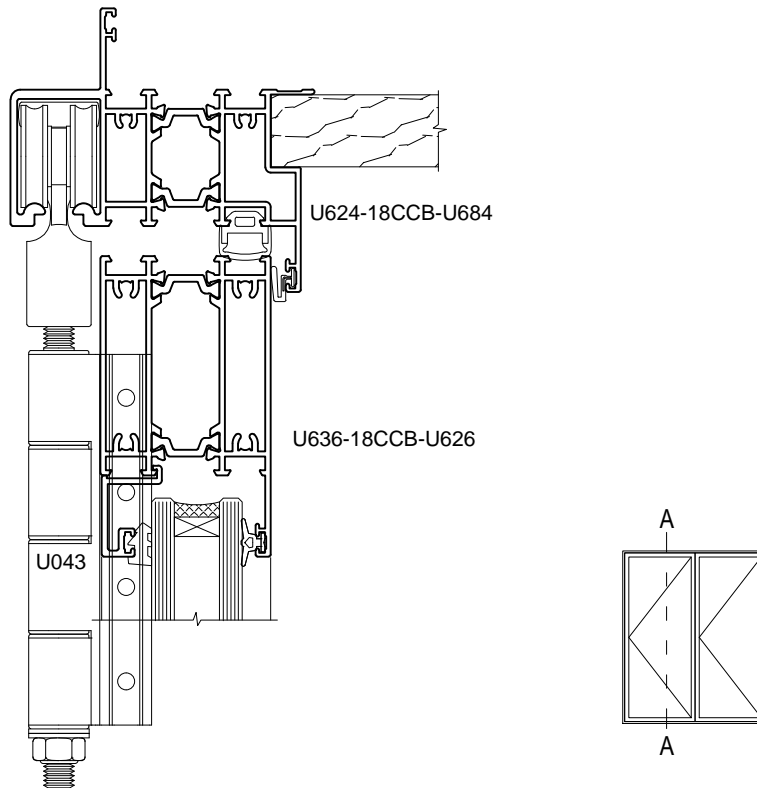
## BOTTOM ROLLING BI-FOLD DOOR

FAIRVIEW SYSTEMS LIMITED SPECIFIERS GUIDE 2014 © TECHNICAL SPECIFICATIONS & PROFILE DETAILS SUBJECT TO CHANGE WITHOUT NOTICE

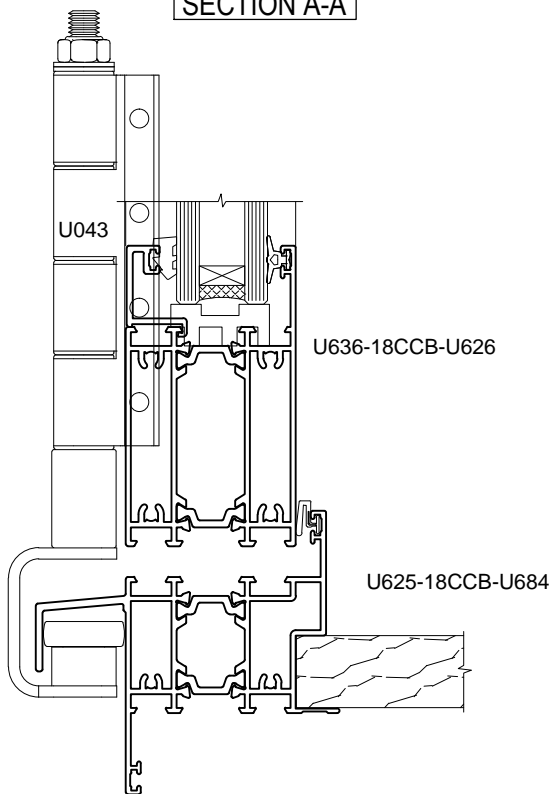
### THERMAL LINEAR TL45

DATE 05.11.2014	SCALE 1:2
REF. TL45.0024	





**SECTION A-A**

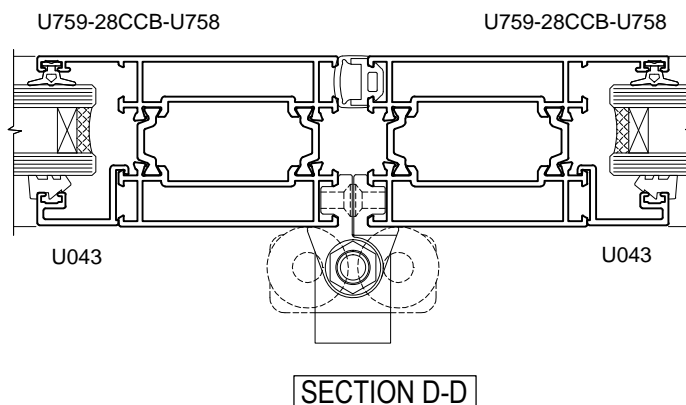
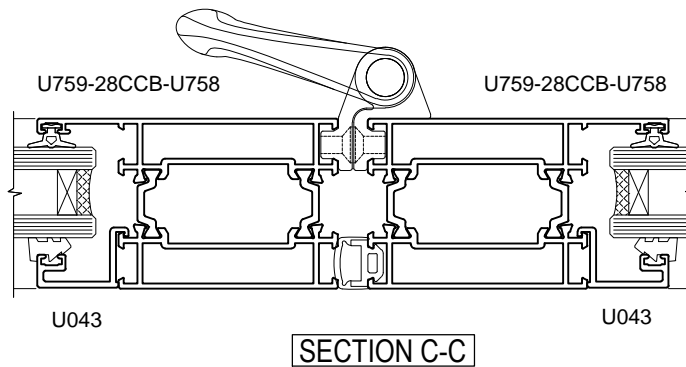
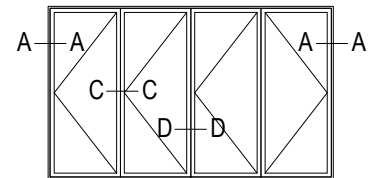
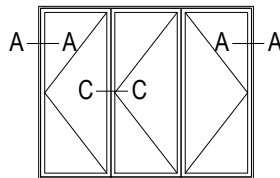
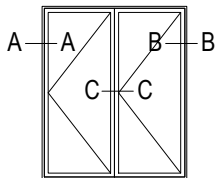
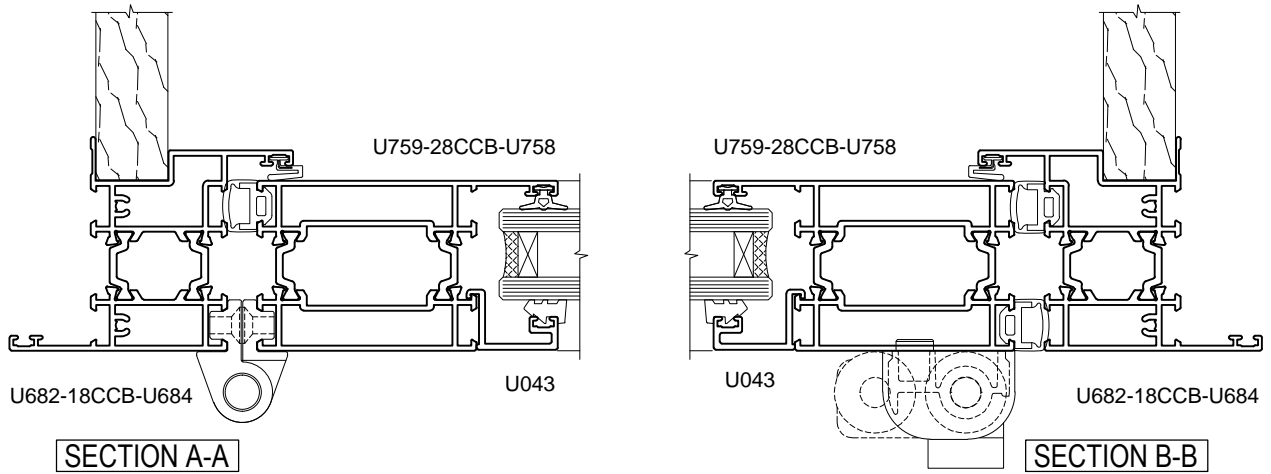


## TOP HUNG BI-FOLD DOOR

FAIRVIEW SYSTEMS LIMITED SPECIFIERS GUIDE 2014 © TECHNICAL SPECIFICATIONS & PROFILE DETAILS SUBJECT TO CHANGE WITHOUT NOTICE

### THERMAL LINEAR TL45

DATE 05.11.2014	SCALE 1:2
REF. TL45.0031	

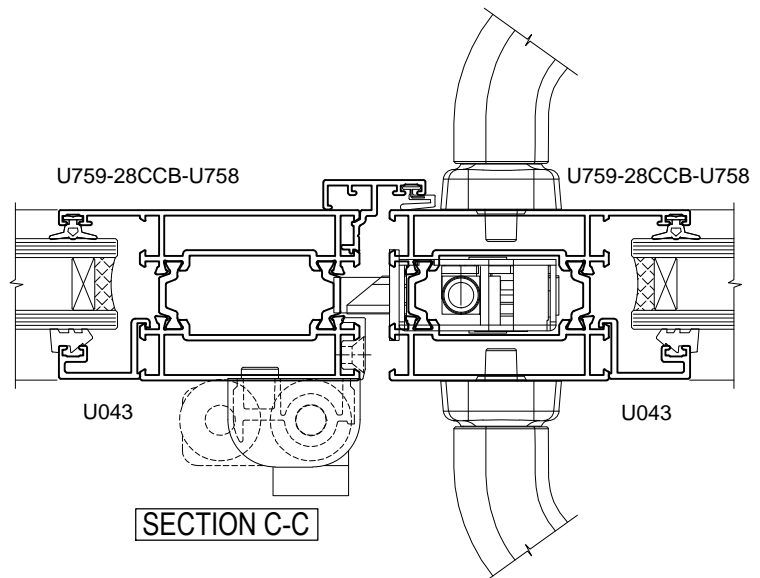
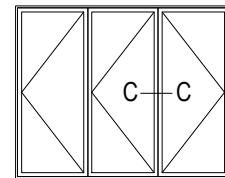
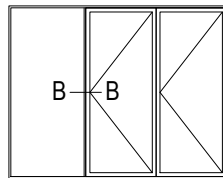
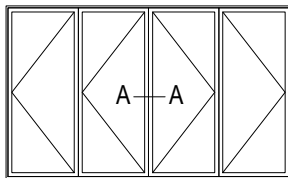
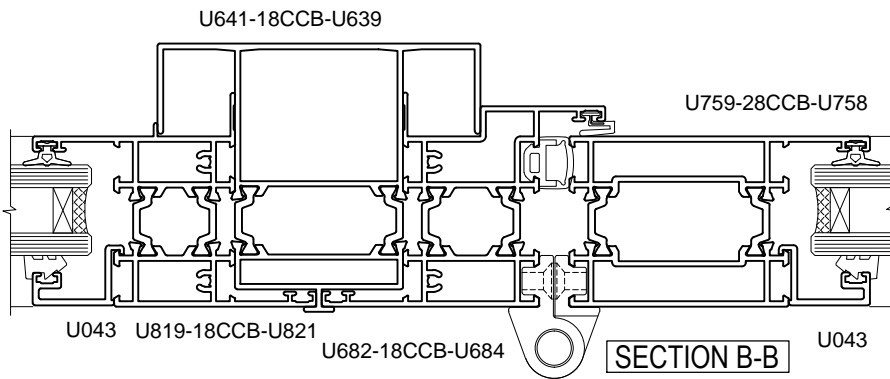
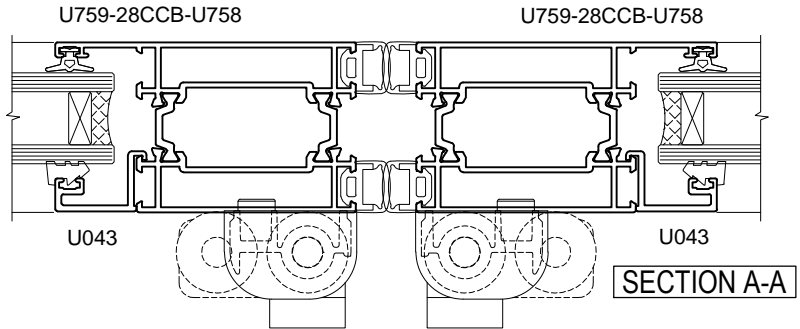


## TOP HUNG BI-FOLD DOOR

FAIRVIEW SYSTEMS LIMITED SPECIFIERS GUIDE 2014 © TECHNICAL SPECIFICATIONS & PROFILE DETAILS SUBJECT TO CHANGE WITHOUT NOTICE

### THERMAL LINEAR TL45

DATE 05.11.2014	SCALE 1:2
REF. TL45.0032	

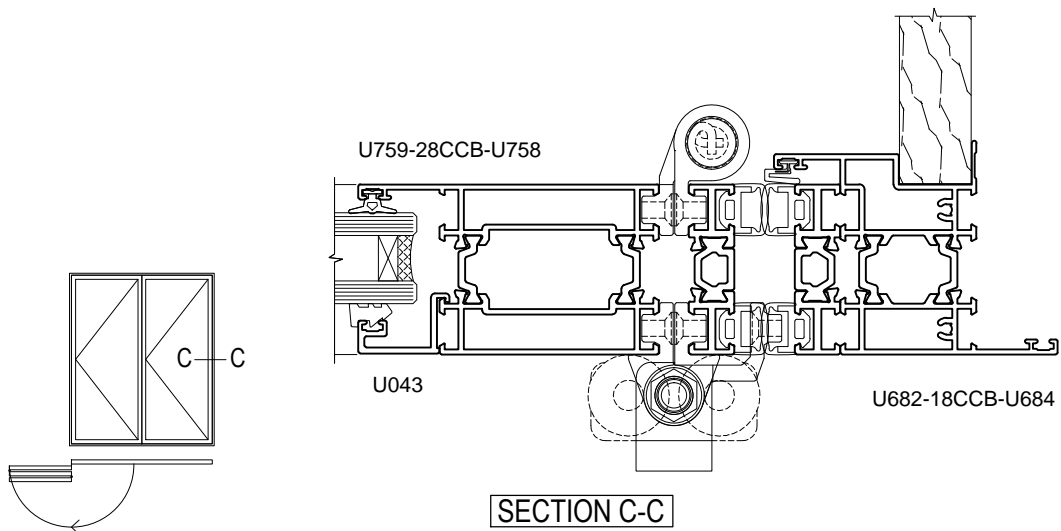
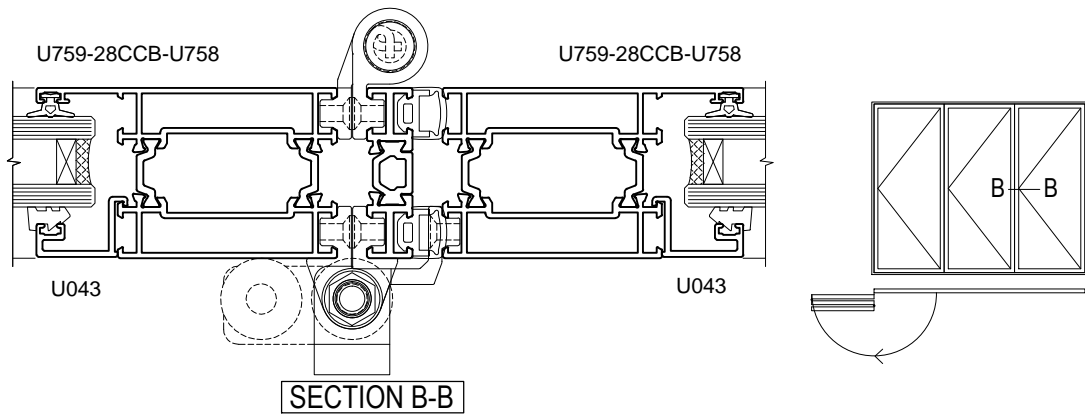
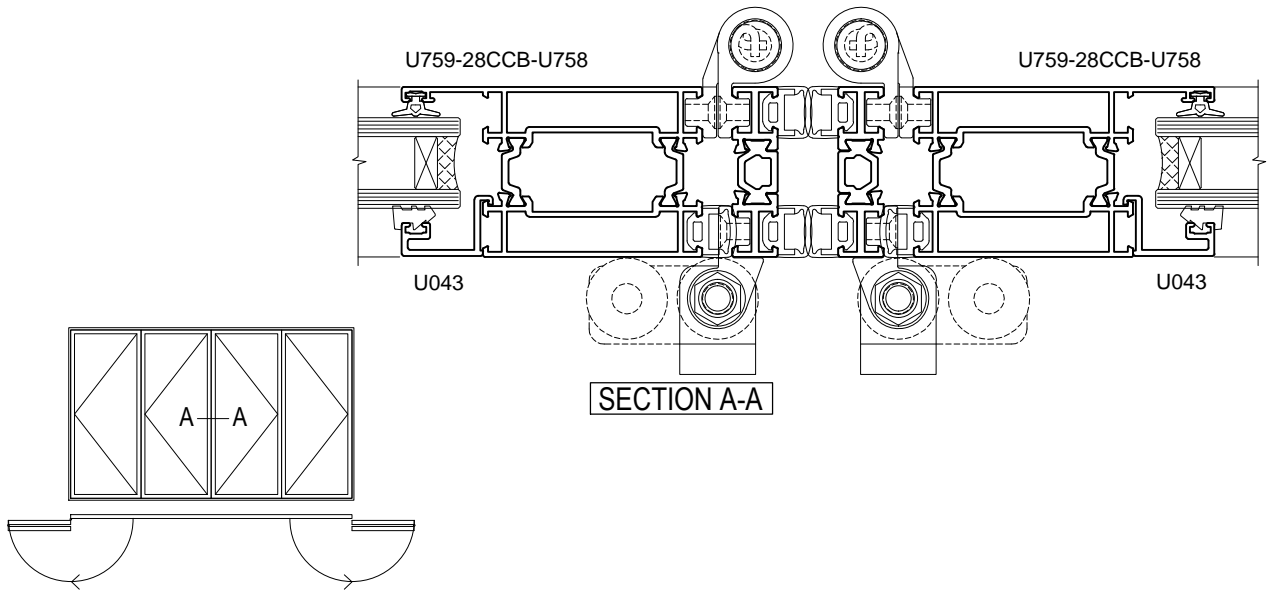


## TOP HUNG BI-FOLD DOOR

FAIRVIEW SYSTEMS LIMITED SPECIFIERS GUIDE 2014 © TECHNICAL SPECIFICATIONS & PROFILE DETAILS SUBJECT TO CHANGE WITHOUT NOTICE

### THERMAL LINEAR TL45

DATE 05.11.2014	SCALE 1:2
REF. TL45.0033	



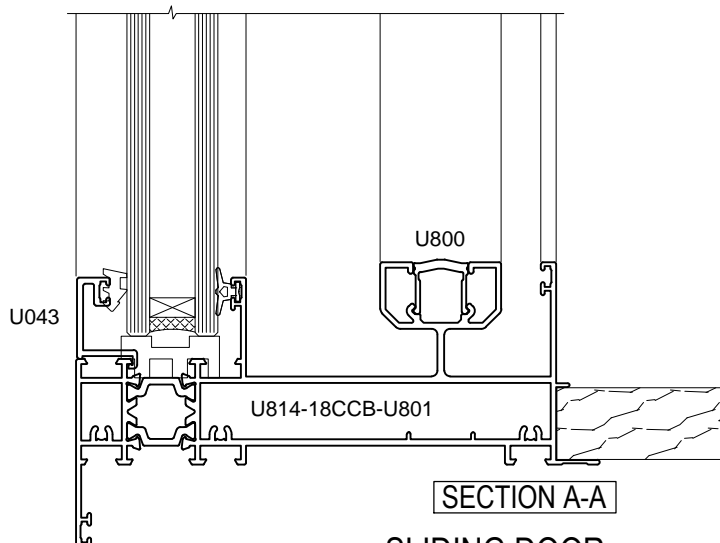
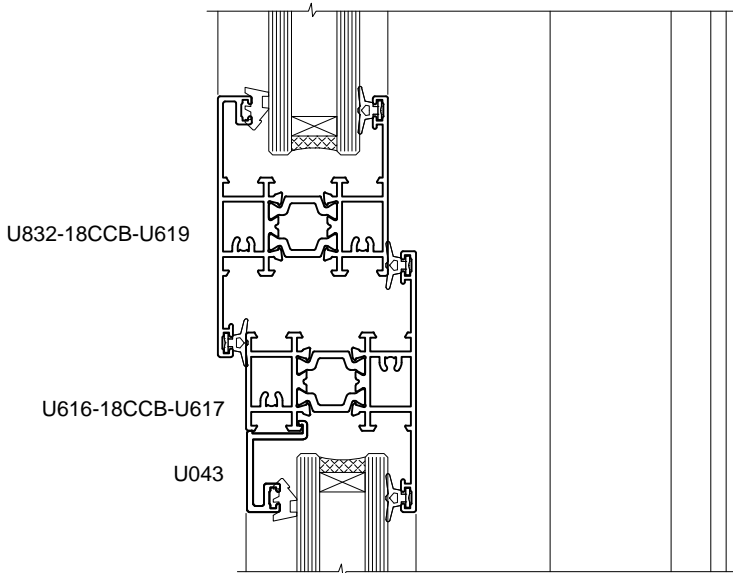
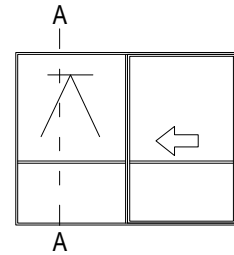
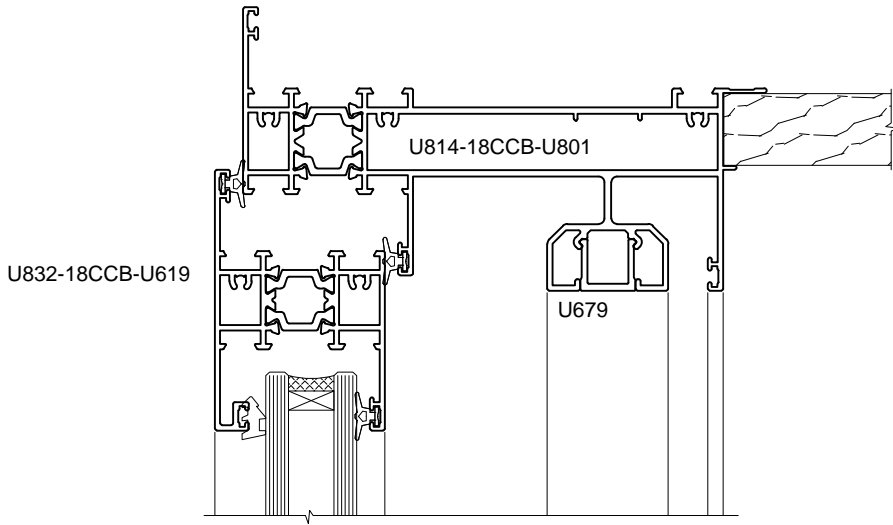
FREEFOLD

## TOP HUNG BI-FOLD DOOR

FAIRVIEW SYSTEMS LIMITED SPECIFIERS GUIDE 2014 © TECHNICAL SPECIFICATIONS & PROFILE DETAILS SUBJECT TO CHANGE WITHOUT NOTICE

### THERMAL LINEAR TL45

DATE 05.11.2014	SCALE 1:2
REF. TL45.0034	

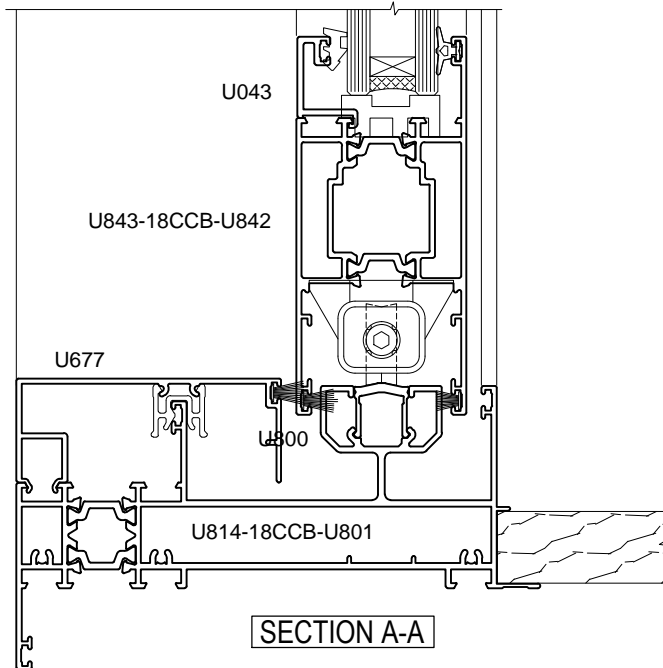
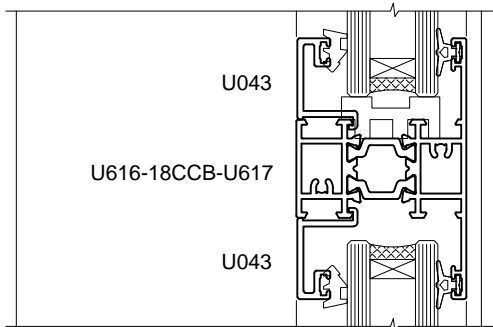
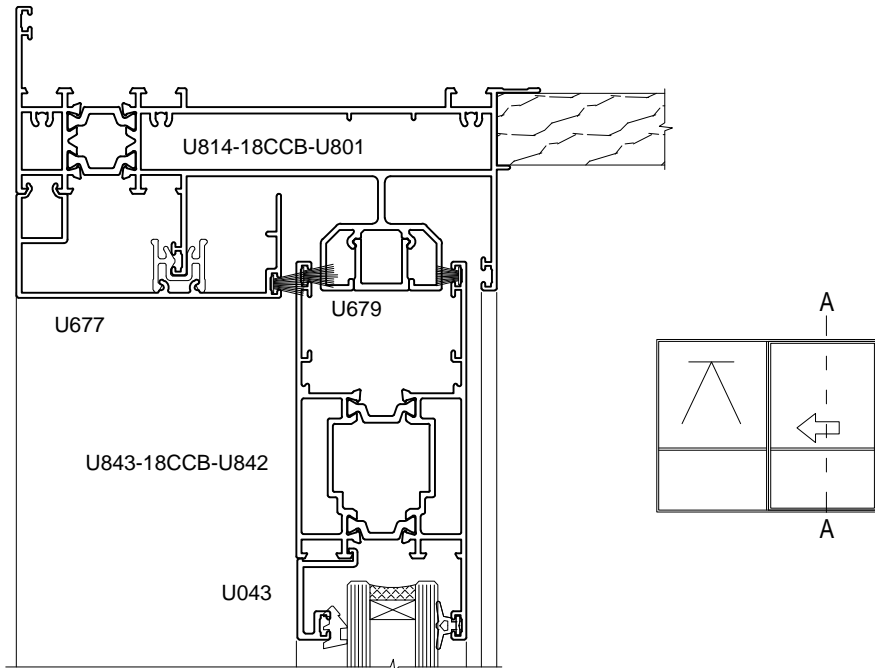


## SLIDING DOOR

FAIRVIEW SYSTEMS LIMITED SPECIFIERS GUIDE 2014 © TECHNICAL SPECIFICATIONS & PROFILE DETAILS SUBJECT TO CHANGE WITHOUT NOTICE

### THERMAL LINEAR TL45

DATE 05.11.2014	SCALE 1:2
REF. TL45.0041	

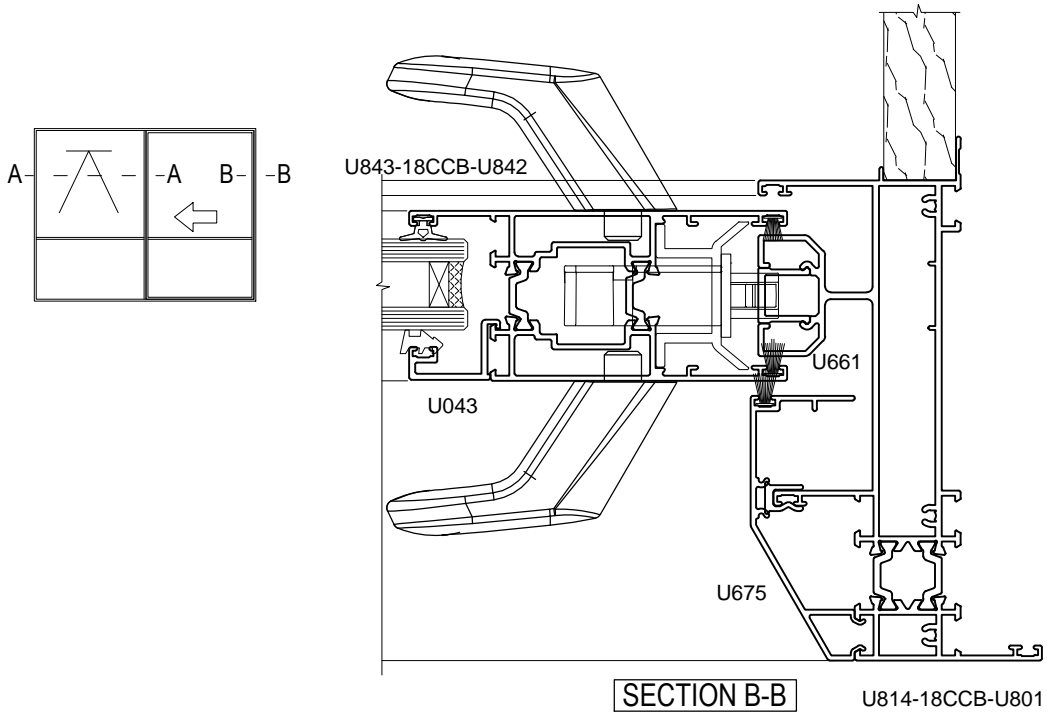
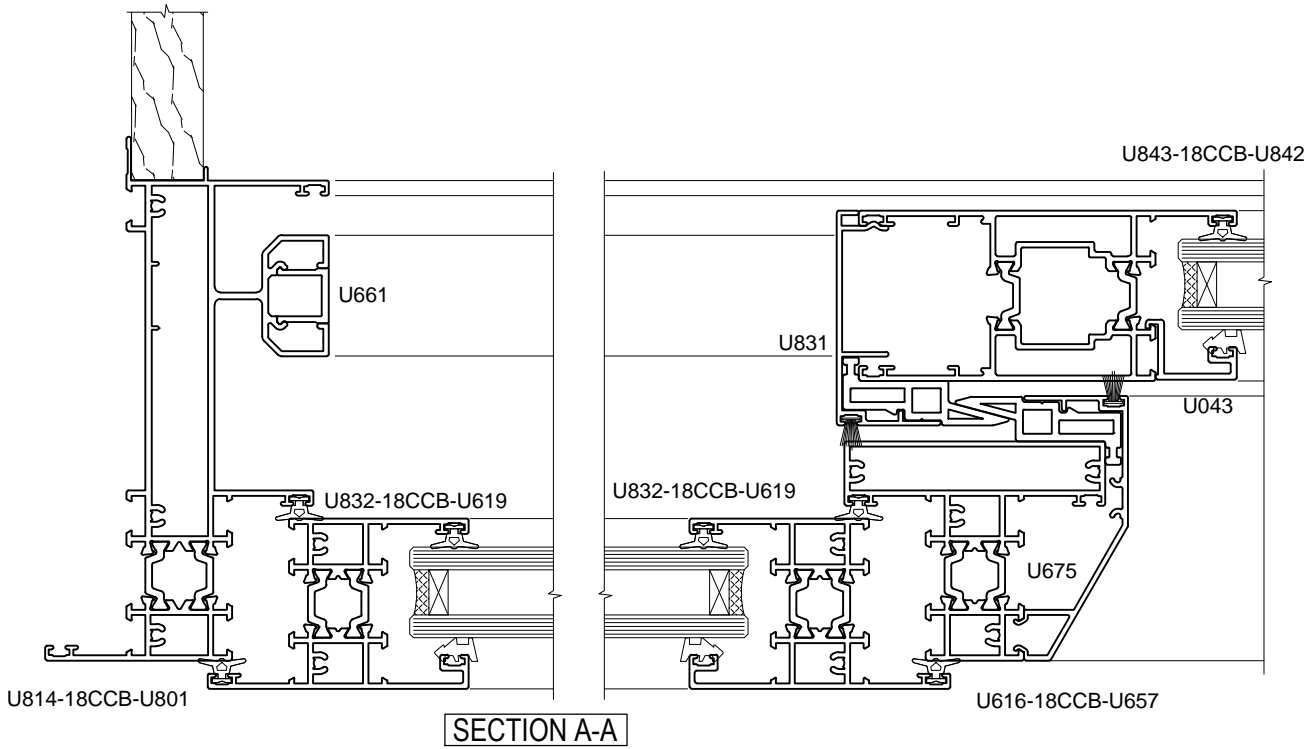


## SLIDING DOOR

FAIRVIEW SYSTEMS LIMITED SPECIFIERS GUIDE 2014 © TECHNICAL SPECIFICATIONS & PROFILE DETAILS SUBJECT TO CHANGE WITHOUT NOTICE

### THERMAL LINEAR TL45

DATE 05.11.2014	SCALE 1:2
REF. TL45.0042	

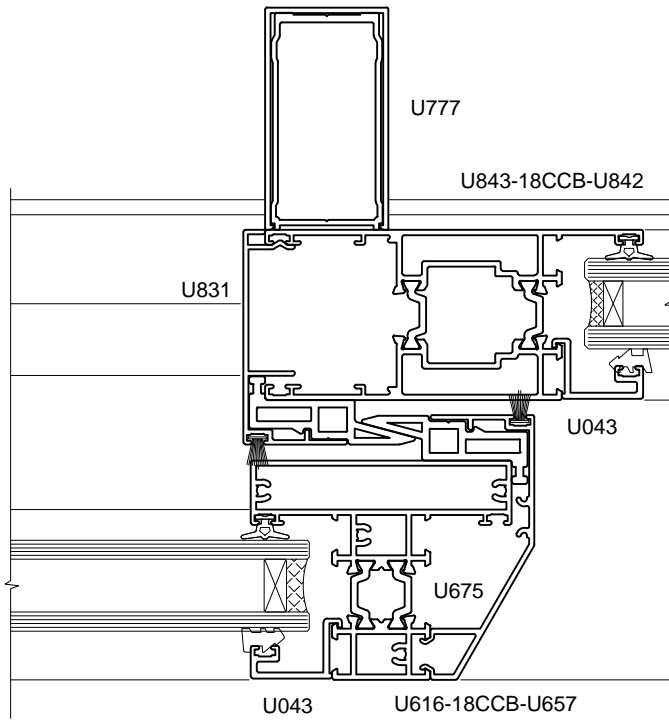


## SLIDING DOOR

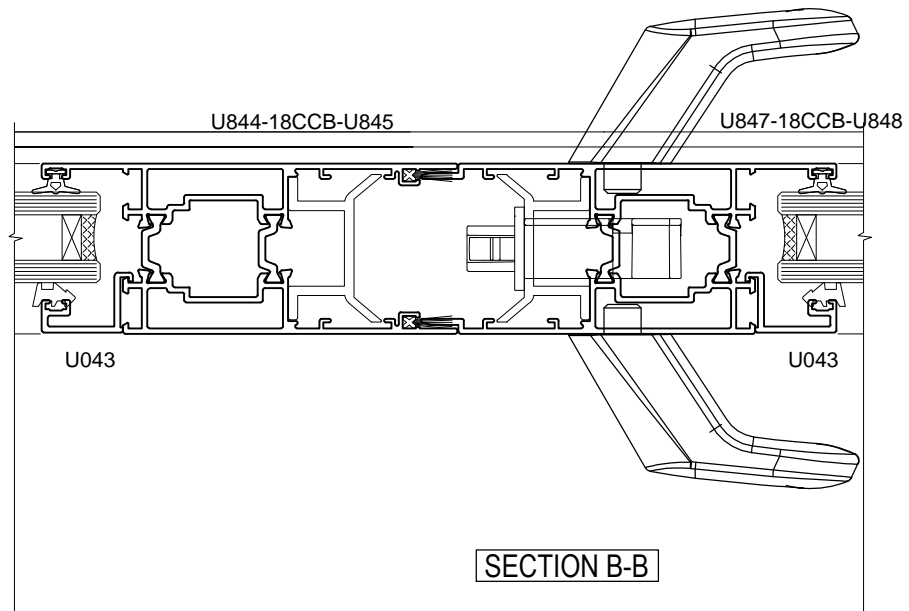
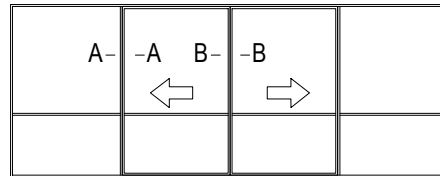
FAIRVIEW SYSTEMS LIMITED SPECIFIERS GUIDE 2014 © TECHNICAL SPECIFICATIONS & PROFILE DETAILS SUBJECT TO CHANGE WITHOUT NOTICE

### THERMAL LINEAR TL45

DATE 05.11.2014	SCALE 1:2
REF. TL45.0043	



**SECTION A-A**



**SECTION B-B**

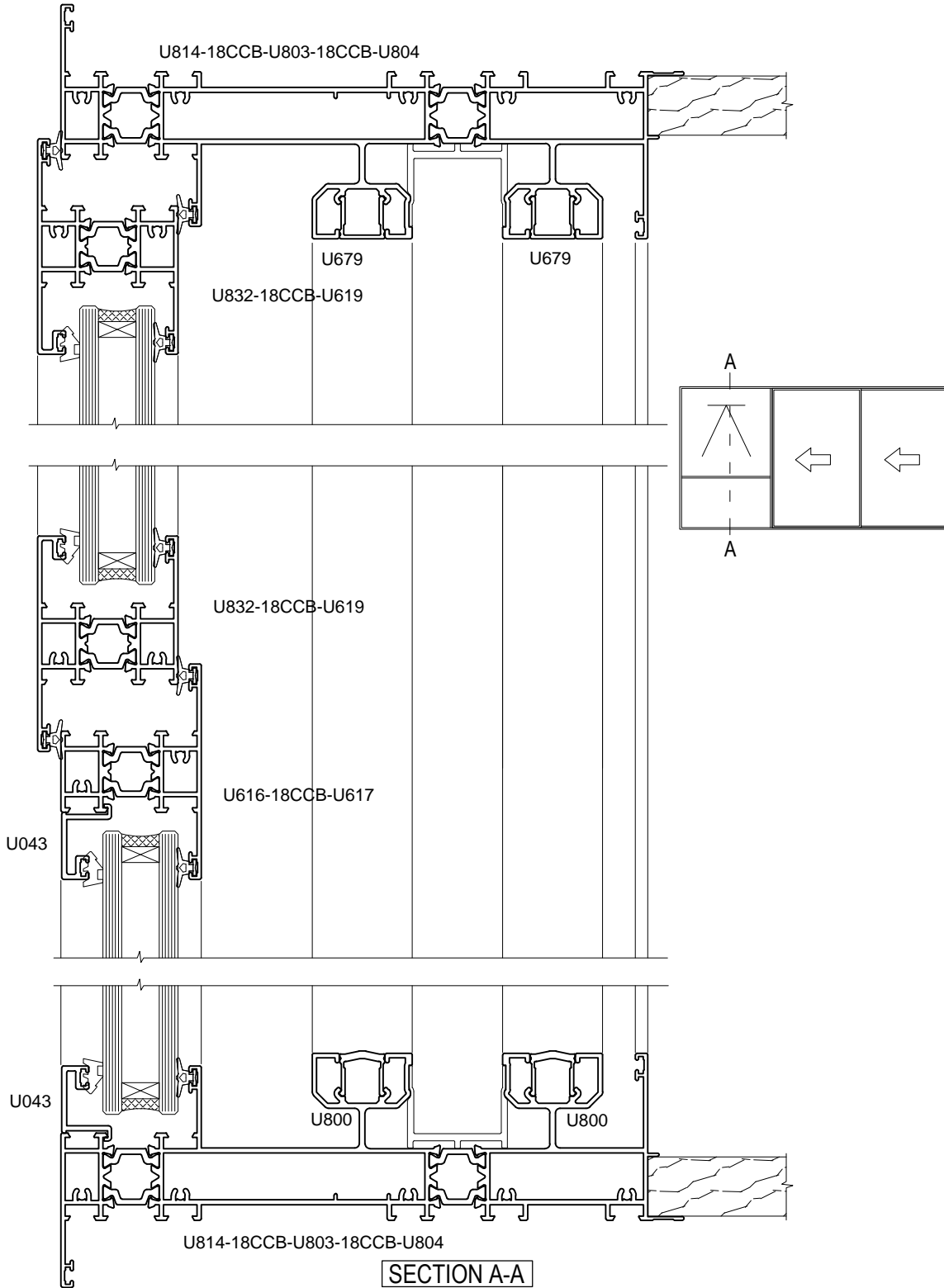
## SLIDING DOOR

FAIRVIEW SYSTEMS LIMITED SPECIFIERS GUIDE 2014 © TECHNICAL SPECIFICATIONS & PROFILE DETAILS SUBJECT TO CHANGE WITHOUT NOTICE

**THERMAL LINEAR TL45**

DATE 05.11.2014	SCALE 1:2
REF. TL45.0044	



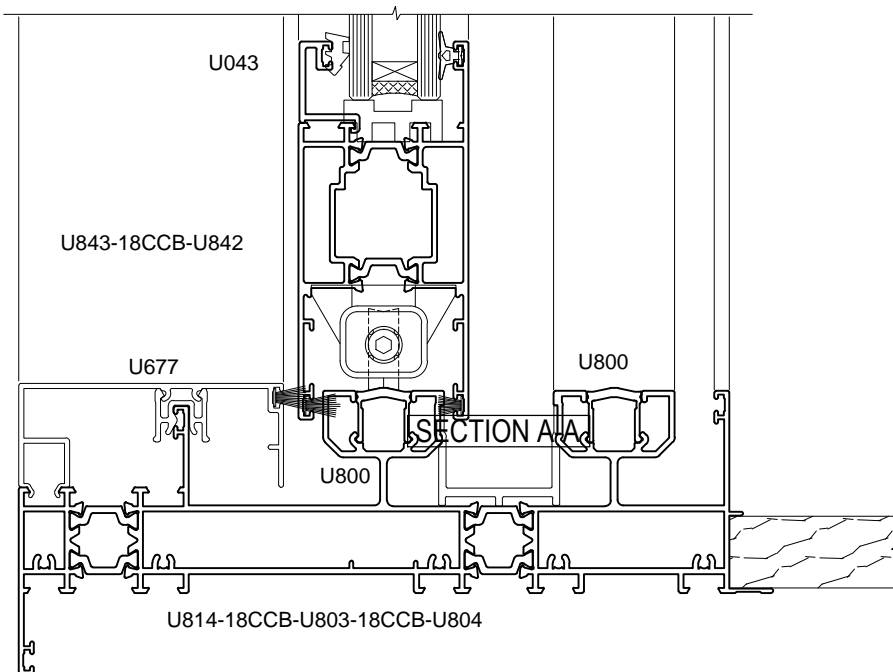
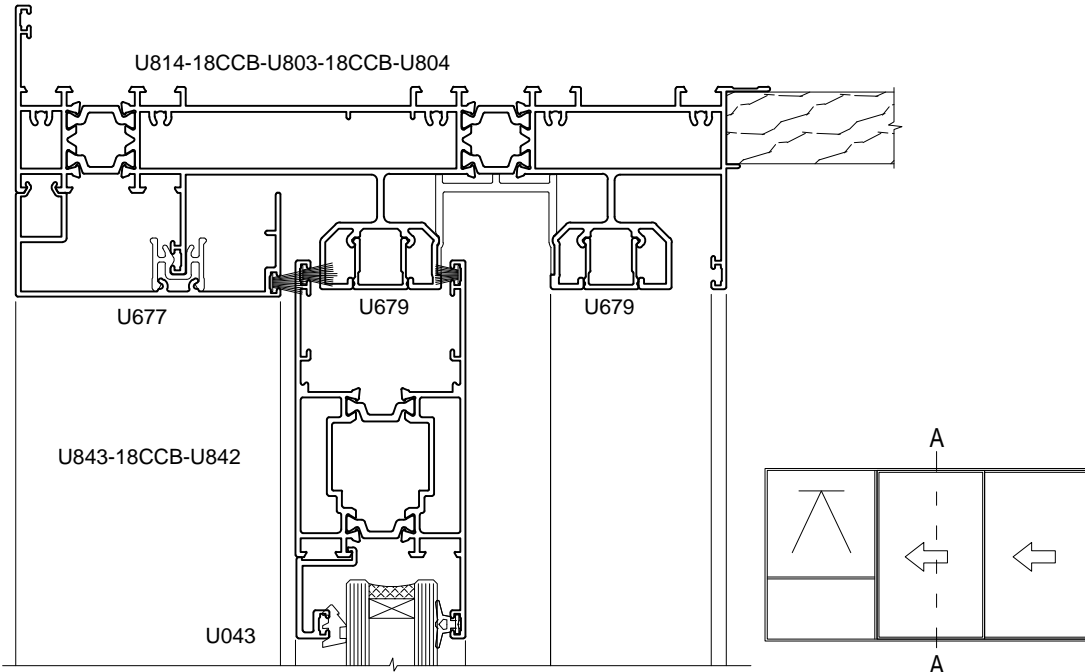


## STACKING DOOR

FAIRVIEW SYSTEMS LIMITED SPECIFIERS GUIDE 2014 © TECHNICAL SPECIFICATIONS & PROFILE DETAILS SUBJECT TO CHANGE WITHOUT NOTICE

### THERMAL LINEAR TL45

DATE 05.11.2014	SCALE 1:2
REF. TL45.0051	

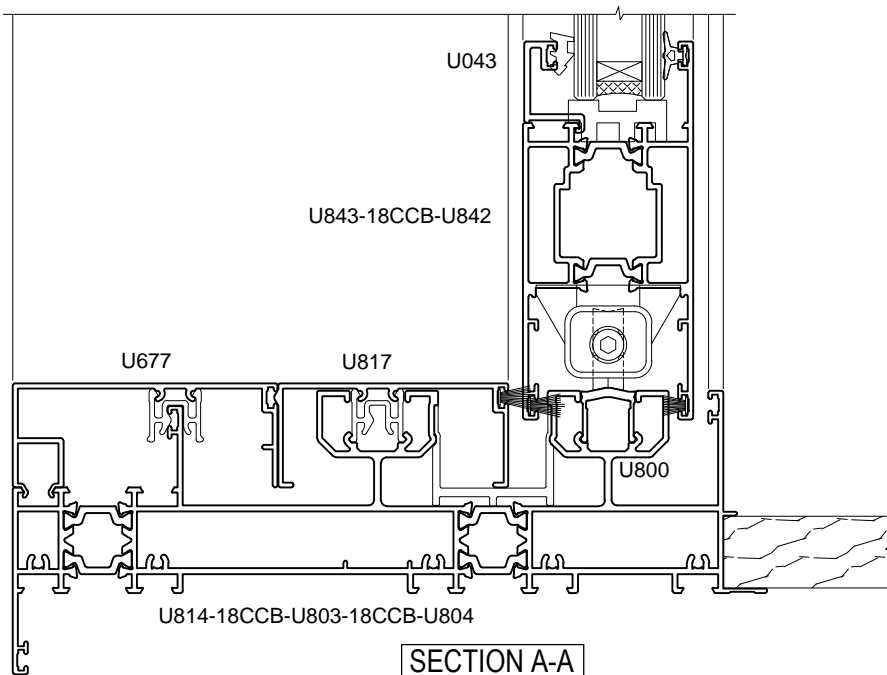
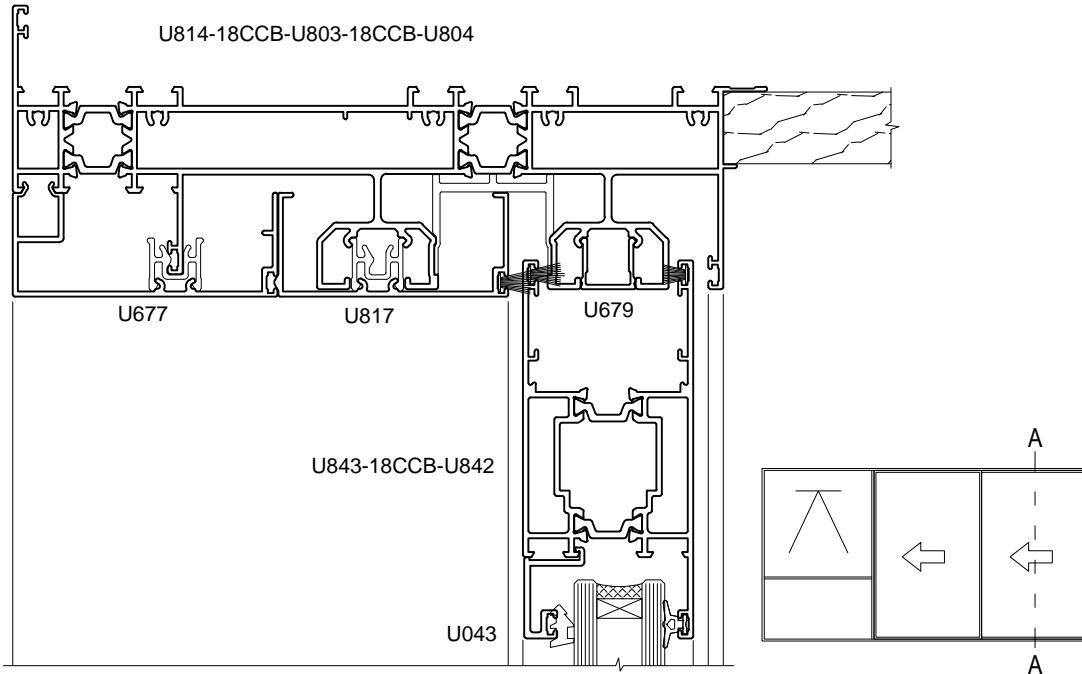


## STACKING DOOR

FAIRVIEW SYSTEMS LIMITED SPECIFIERS GUIDE 2014 © TECHNICAL SPECIFICATIONS & PROFILE DETAILS SUBJECT TO CHANGE WITHOUT NOTICE

### THERMAL LINEAR TL45

DATE 05.11.2014	SCALE 1:2
REF. TL45.0052	

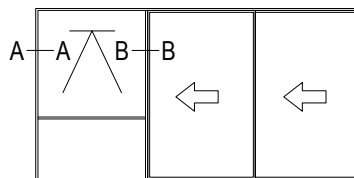
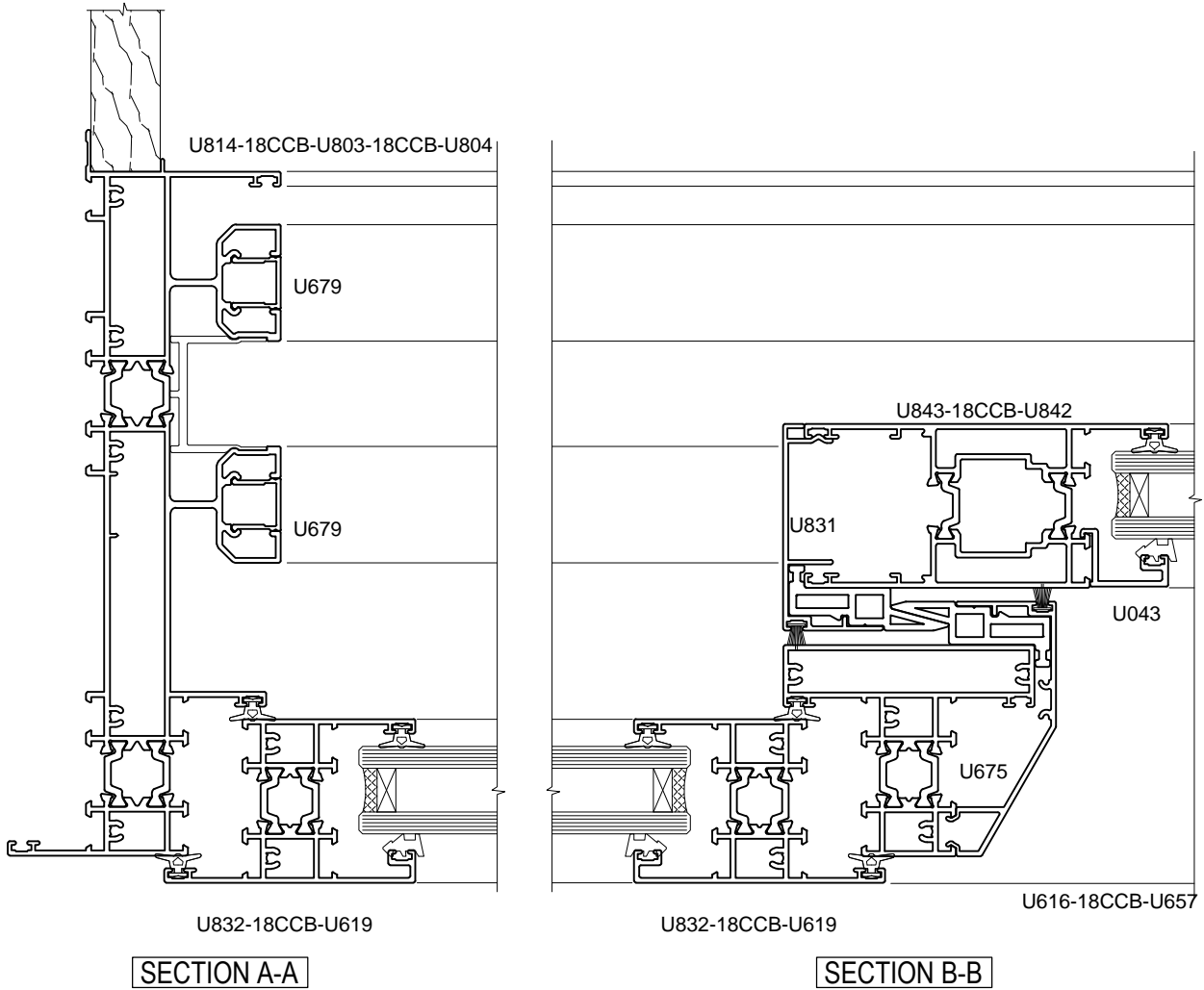


## STACKING DOOR

FAIRVIEW SYSTEMS LIMITED SPECIFIERS GUIDE 2014 © TECHNICAL SPECIFICATIONS & PROFILE DETAILS SUBJECT TO CHANGE WITHOUT NOTICE

### THERMAL LINEAR TL45

DATE 05.11.2014	SCALE 1:2
REF. TL45.0053	

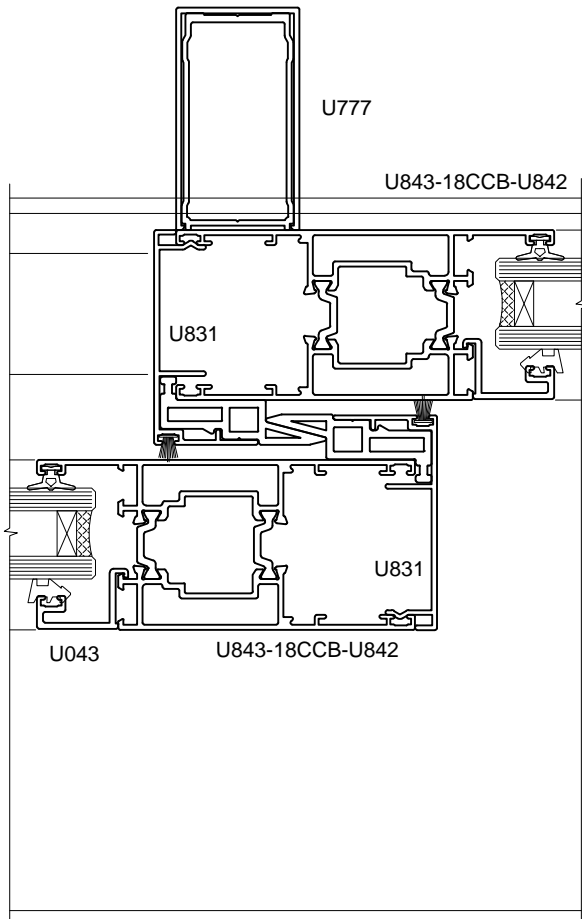


## STACKING DOOR

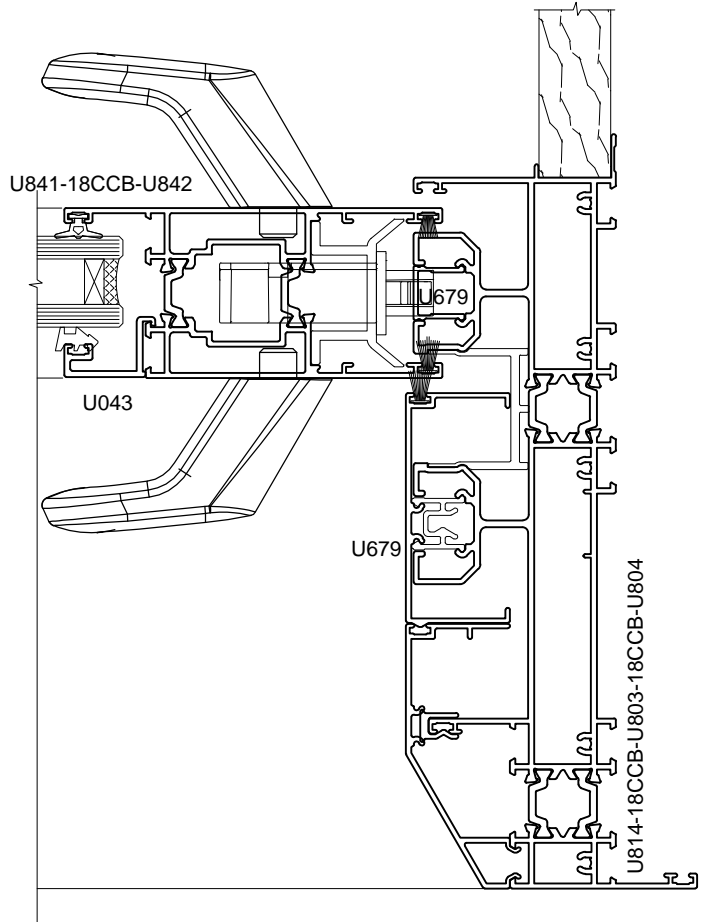
FAIRVIEW SYSTEMS LIMITED SPECIFIERS GUIDE 2014 © TECHNICAL SPECIFICATIONS & PROFILE DETAILS SUBJECT TO CHANGE WITHOUT NOTICE

### THERMAL LINEAR TL45

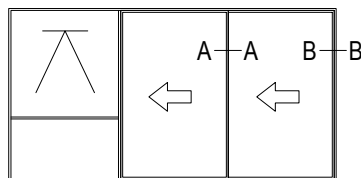
DATE 05.11.2014	SCALE 1:2
REF. TL45.0054	



SECTION A-A



SECTION B-B

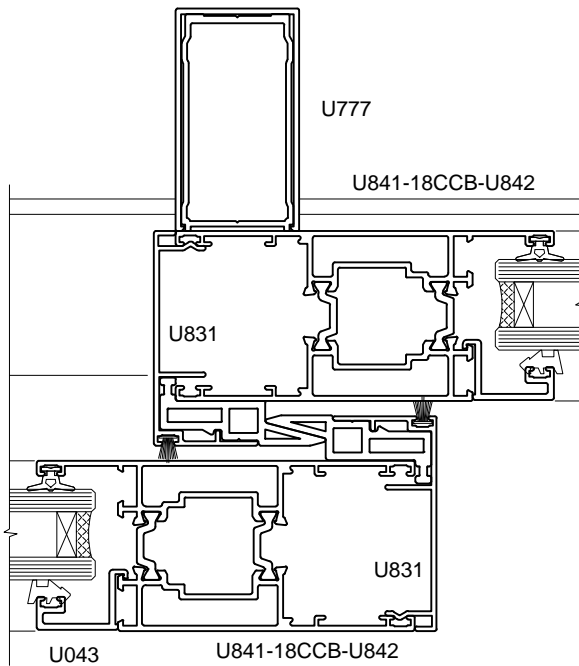


## STACKING DOOR

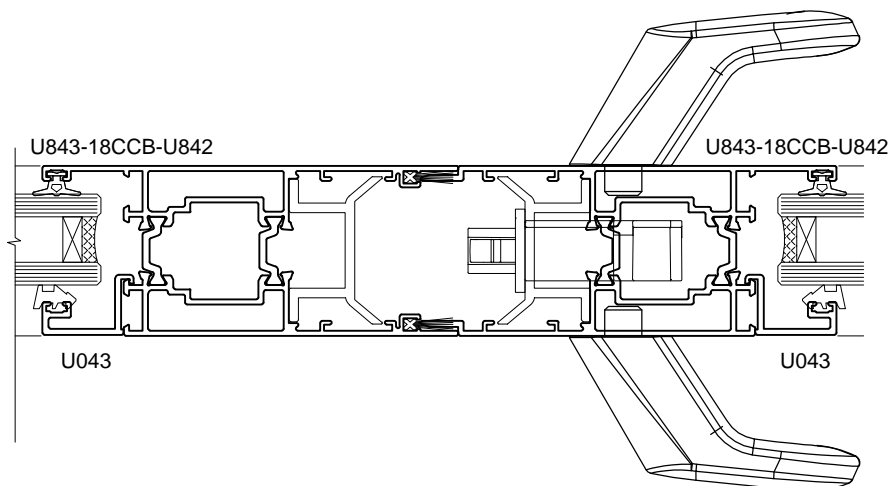
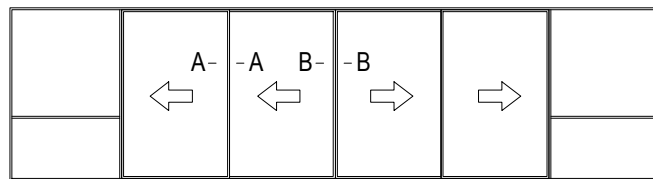
FAIRVIEW SYSTEMS LIMITED SPECIFIERS GUIDE 2014 © TECHNICAL SPECIFICATIONS & PROFILE DETAILS SUBJECT TO CHANGE WITHOUT NOTICE

### THERMAL LINEAR TL45

DATE 05.11.2014	SCALE 1:2
REF. TL45.0055	



SECTION A-A



SECTION B-B