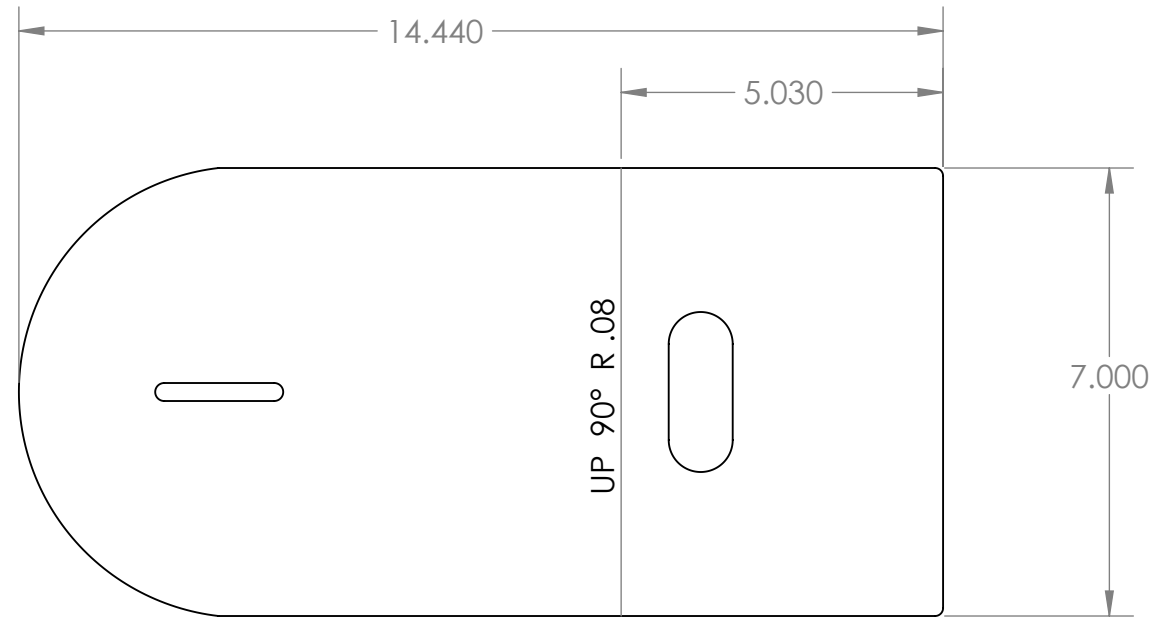
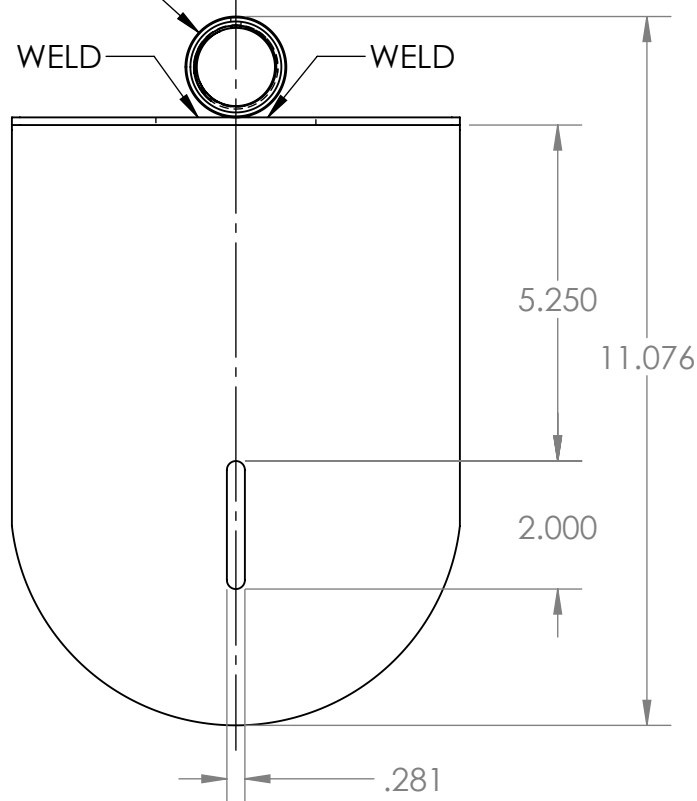


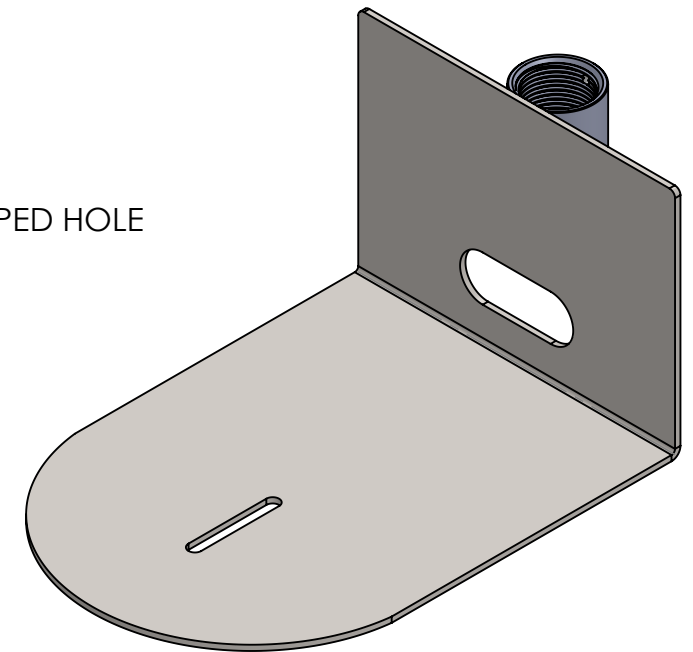
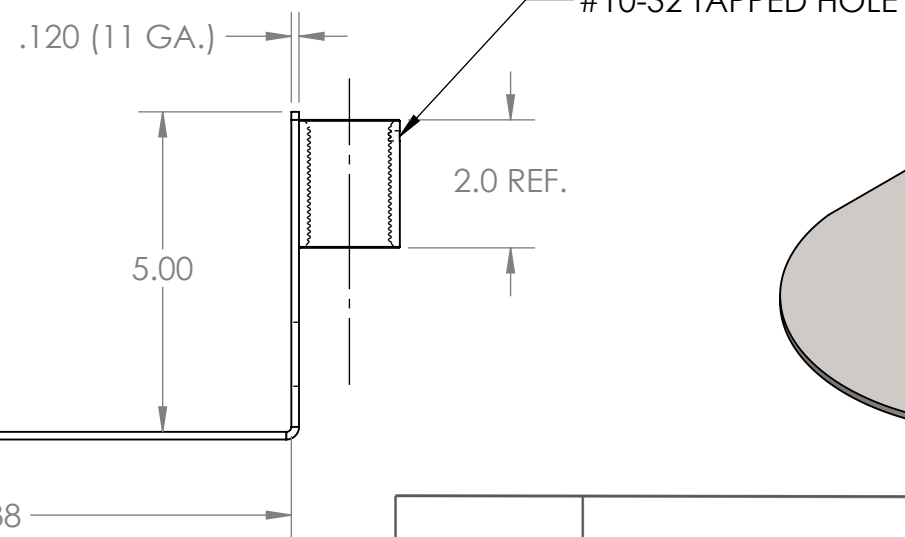
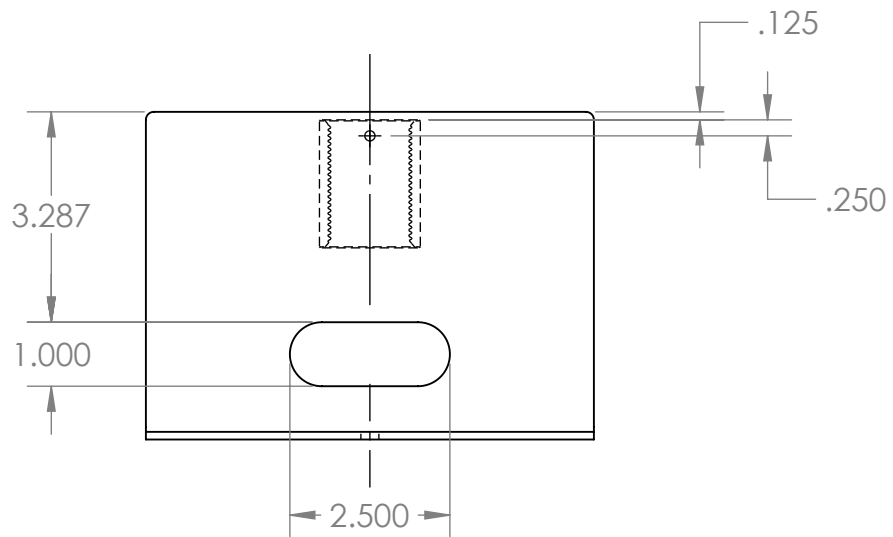
1" MERCHANT
COUPLING

WELD

WELD



FLAT PATTERN



- NO BURRS ALLOWED
- MUST BE SCRATCH-FREE
- DRAWING MAY NOT BE FULLY
DIMENSIONED. SEE MODEL.

PT-WM-3C-WH: POWDER COAT: TIGER 049/13150 (WHITE FINE TEXTURE)
PT-WM-3C-BK: POWDER COAT: TIGER 039/80200 (BLACK FINE TEXTURE)

| Tolerance | | PTZOptics | | | | | |
|-----------------|--------------|-------------|------------------------|-------|------------|--|--|
| Fractional | ± 1/32 | Project | | Model | PT-PM-3 | | |
| 2 Place Decimal | ± 0.015" | Description | Extra Large Pipe Mount | Date | 2023.08.31 | | |
| 3 Place Decimal | ± 0.005" | | | Scale | 1:4 | | |
| Fillets | .005" Max | | | Units | inch | | |