

MOOER

SWEEPER

Bass Filter Pedal

Owner's Manual

Precautions

PLEASE READ CAREFULLY BEFORE PROCEEDING

Power Supply

Please connect the designated AC adapter to an AC outlet of the correct voltage. Please be sure to use only an AC adapter which supplies 9V (±10%) DC, center minus. The maximum working voltage shall not exceed 12V, otherwise may be dangerous equipment damage, fire or other problems. Unplug the AC power adapter when not using or during electrical storms.

Connections

Always turn off the power of this and all other equipment before connecting or disconnecting, this will help prevent malfunction and / or damage to other devices. Also make sure to disconnect all connection cables and the power cord before moving this unit.

Cleaning

Clean only with a soft, dry cloth. If necessary, slightly moisten the cloth. Do not use abrasive cleanser, cleaning alcohol, paint thinners, wax, solvents, cleaning fluids, or chemical-impregnated wiping cloths.

Interference with other electrical devices

Radios and televisions placed nearby may experience reception interference. Operate this unit at a suitable distance from radios and televisions.

Location

To avoid deformation, discoloration, or other serious damage, do not expose this unit to the following conditions:

- Direct sunlight
- Heat sources
- Magnetic fields
- Extreme temperature or humidity
- Excessive dusty or dirty location
- High humidity or moisture
- Strong vibrations or shocks

FCC certification

This device complies with Part 15 of the FCC Rules. Operation is subject to the following two conditions:

- This device may not cause harmful interference.
- This device must accept any interference received, including interference that may cause undesired operation.

Main Features

- Dynamic envelope filter pedal for both bass and guitar
- Unique Funky style filter tone, Clean and Fuzz sweeping switch
- Full metal shell

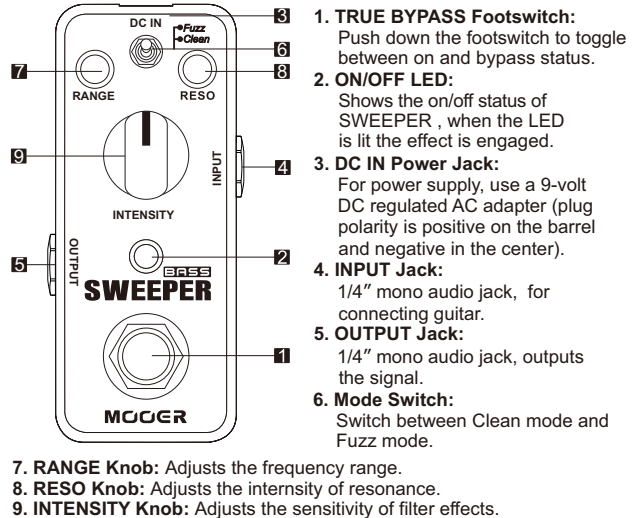
- Very small and compact design
- True bypass switch
- DC 9V adapter power supply

Effects Explanation

Clean: Excellent dynamic envelope filter effect, unique vocal-like sounds.

Fuzz: Add vintage fuzz tone into the sound.

Panel Instruction



- 1. TRUE BYPASS Footswitch:**
Push down the footswitch to toggle between on and bypass status.
- 2. ON/OFF LED:**
Shows the on/off status of SWEEPER, when the LED is lit the effect is engaged.
- 3. DC IN Power Jack:**
For power supply, use a 9-volt DC regulated AC adapter (plug polarity is positive on the barrel and negative in the center).
- 4. INPUT Jack:**
1/4" mono audio jack, for connecting guitar.
- 5. OUTPUT Jack:**
1/4" mono audio jack, outputs the signal.
- 6. Mode Switch:**
Switch between Clean mode and Fuzz mode.

- 7. RANGE Knob:** Adjusts the frequency range.
- 8. RESO Knob:** Adjusts the intensity of resonance.
- 9. INTENSITY Knob:** Adjusts the sensitivity of filter effects.

Specification

Working Modes: 2 (Clean/Fuzz)

Input: 1/4" monaural jack (impedance: 220k Ohms)

Output: 1/4" monaural jack (impedance: 1.4k Ohms)

Power Requirements: AC adapter 9V DC (center minus plug), recommended to use Mooer Micro Power

Current Draw: 7 mA

Dimensions: 93.5mm (D) × 42mm (W) × 52mm (H)

Weight: 160g

Accessories: Owner's Manual

** Disclaimer: Any specification's update won't be amended in this manual.*