

RAW URTH



DESIGNS



INSTALLATION & CARE

Range Hoods

Lots of info inside...go ahead, open it!





Thank you for trusting us to create your range hood! We are honored to be a part of your project. We hope you love everything about it and enjoy the quality and hand-made touch. There are no two alike.

If you ever have any questions about installation or maintenance, please feel free to call and we will talk you through it. We have included this installation and care instruction booklet to help get you started, but we are always here to help.

Once your range hood is installed, we would love to see photos. It means so much to us to be a part of your space and it's always exciting to see our pieces in their new home. Should you decide to professionally photograph your project, we would be happy to purchase any images featuring your hood and show it off in our gallery!

Thank again! We will be here if you need us in the future!

Sincerely,

Amy Sasick

cherry hills | Bruce Frasier Architects



cherry hills | Martin Home



leadville | photo by Ron Ruscio



Range Hood | INSTALLATION INSTRUCTIONS

Please read and understand all instructions before attempting to install your range hood. Feel free to contact us at **866.932.7510** if you have any questions.

page: 1

PLAN AHEAD

An average hood weighs about 125 lbs. Please make sure there are an adequate number of people to safely pick up and move the hood into its location. It usually takes a minimum of three people on an average hood. More may be needed depending on the size.

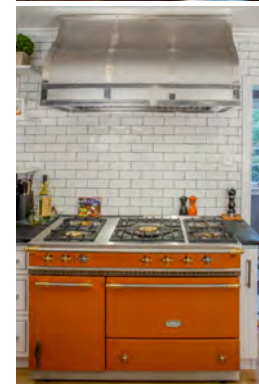
It is also recommended to remove belts, jackets with buttons or zippers, etc. to prevent accidental scratching or damage to the hood during installation. Also be careful of using tape on the hood as it can lift the clear coat and/or patina off when it is removed. *(The rustic iron finish is most prone to this behavior.)*

Our hoods are designed with mounting straps that run horizontally across the back of the hood in at least 2 locations (*some have more*). These straps are perforated along the entire length to enable them to cover the full range of potential mounting locations. The hood is mounted by lagging through the mounting straps and into the framing in the wall, so it is a good idea to mark your studs before getting the hood up.

It is our recommendation to have the HVAC contractor think through the venting prior to hood installation. There can be an advantage to having them install a

portion of the vent piping prior to hanging the hood. In our standard installation, the liner should not be attached to the wall before hanging the hood. This would prevent the installation of the hood. The liner is lifted up into the hood after hood is mounted.

page: 2





Note:

Consult a professional if you are uncertain of the security and safety of your installation.

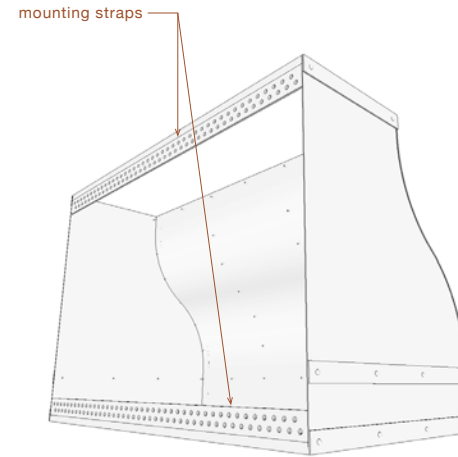
page: 3

page: 4

INSTALLATION

- ▶ **1** First mark a vertical centerline on the wall over your range top.
- ▶ **2** Then mark a centerline on the mounting straps inside the hood on the side that will be visible from the front. You will align the mark on the wall with the mark you made on the hood to center the hood.
- ▶ **3** Most hoods are mounted flush to the ceiling and height over the range is predetermined. If yours does not, you need to determine the height over the range and mark this location. The manufacturer of the mechanical exhaust portion of the hood will have

specifications for this height in their literature if you are unsure.



- ▶ **4** Locate and mark all framing studs in the wall over the range top within the space that will ultimately be covered by your hood. You will need to install the hood with lag bolts into the studs you have just marked, so be sure of your marks and make them highly visible. If studs are not available you may need to add blocking in wall behind hood.
- ▶ **5** When possible, we typically will mark the finished height of the bottom of the hood on the wall and, using a level, will screw a 2x4 ledger board to the wall a little below this height. This will enable you to lift the hood up onto this ledger board to help carry the weight of the



basalt | Raw Urth Designs



hood during the installation. Once up on the ledger board you can shim up under the hood to bring the hood tight to the ceiling. If the ceiling is not level, it is better to level the hood and leave a gap at the ceiling. Your tile contractor will appreciate this.

▶ **6** If you are unable to use a ledger board under the hood, you can use the same idea inside the hood and locate a ledger board under one of the mounting straps. With a minimum of three people carefully lift the range hood up into position. **DO NOT put pressure on the bottom pan or use toolbars to lift hood. We will not be responsible for**

damage due to these lifting methods. 2x4s can be cut to length to support the weight of the front of the hood. On heavier hoods you may wish to use cribbing to support the hood until all lag screws are installed. Be sure to protect the finish on the hood from the supports. Double check the hood is centered and level. Adjust if necessary. Once safely supported, someone will need to get in position to install the lag screws inside the hood into the framing. Use your best judgment to determine the appropriate number and placement of hardware to ensure a secure installation.





Range Hood

CARE INFO

page: 7

Below are some care instructions that are just plain good to know. Call us at 866.932.7510 with any questions.

Use only a soft cloth or sponge and a mild dish soap when cleaning your range hood. Dry immediately.

DO NOT USE abrasive pads, cloths or any cleaning products besides a mild dish soap.

Avoid contact with citrus juice, vinegar and other acids. If contact occurs, rinse immediately.

If you have a Copper, Pewter, Brass or Bronze hood, your finish will be a living finish without a clear coat unless you specified a top coat. Clean as stated above. If you would like to brighten the color and remove tarnish from time to time, you can use any commercial bronze, copper, brass or pewter polish as directed in the product instructions.

first cleaning by:

date:

metal finish:



bellvue | Emily Followill Photography



aspen | Raw Urth Designs



CONTACT US

RAW URTH DESIGNS

www.rawurth.com | **866.932.7510** | steel@rawurth.com

P.O. Box 369 | Bellvue, Colorado 80512
