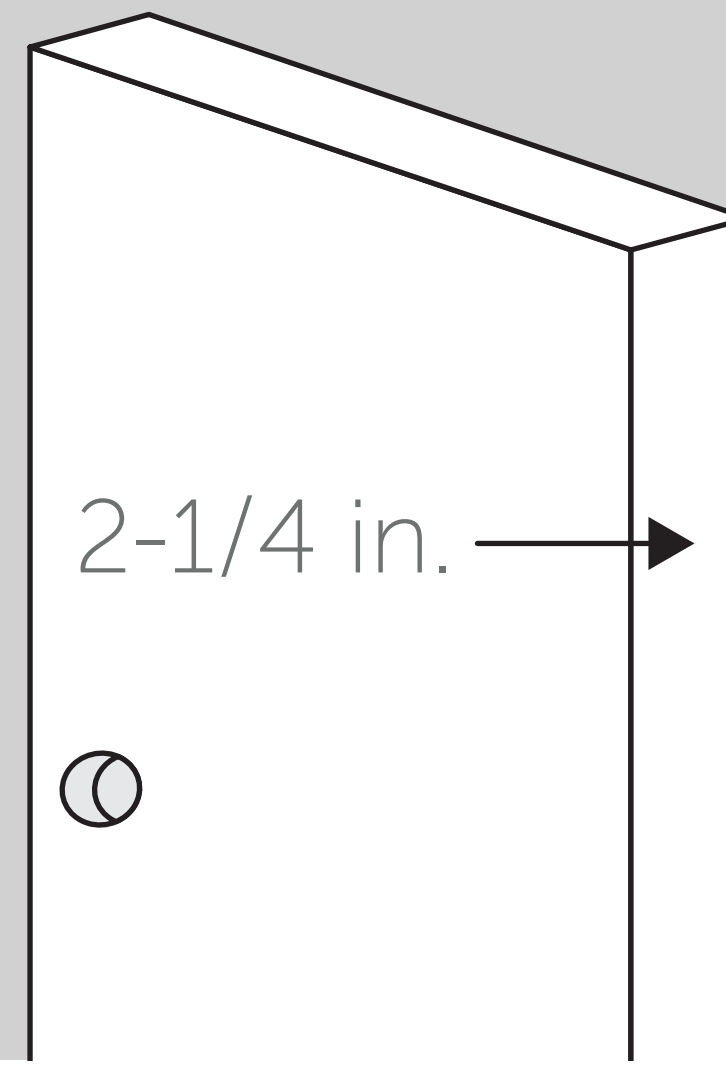


**Door Thickness—1-3/4 in.**

- 1-3/4" is Rustica's standard.
- 1-3/4" can be used for interior or exterior doors under 48".

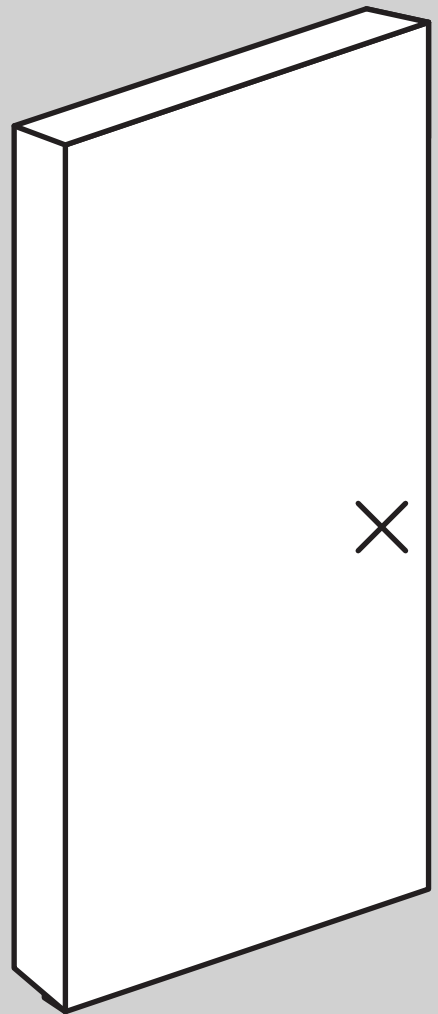
www.RUSTICA.com



**Door Thickness—2-1/4 in.**

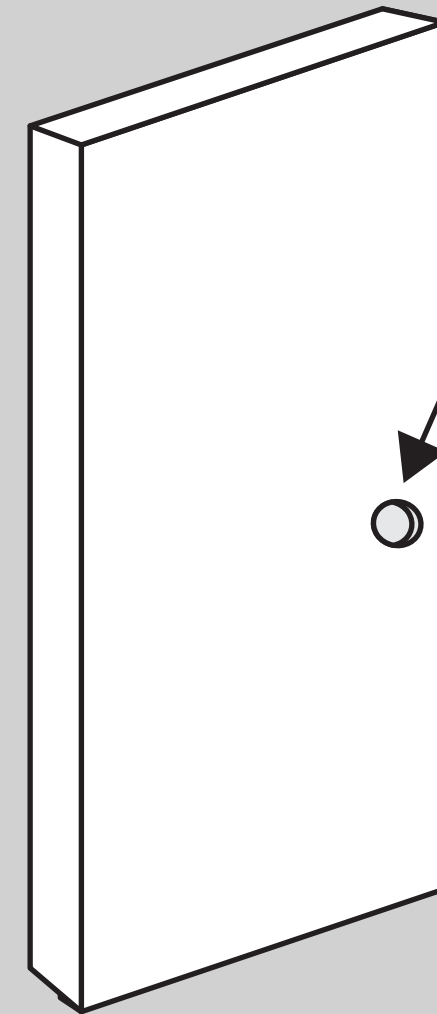
The door thickness plays a critical role in the long term performance of the door as it provides structural strength. With any door exceeding a width of 48", we strongly recommend selecting a 2-1/4" thickness for added measures against warping. Our doors are constructed with the highest quality kiln dried wood and combined with industry leading engineered slab components all crafted to order. It's important to note that a thicker door is only beneficial if it is combined with engineered stiles and rails. This means that the top, bottom and especially sides of the door are engineered to stay straight. The finished product is still a solid wood component but is many times stronger and resistant to warping. Doors that warp are not going to seal properly and therefore lead to much heat loss/gain as well as draft and pest issues.

www.RUSTICA.com



**Door Knob Boring—None**

www.RUSTICA.com

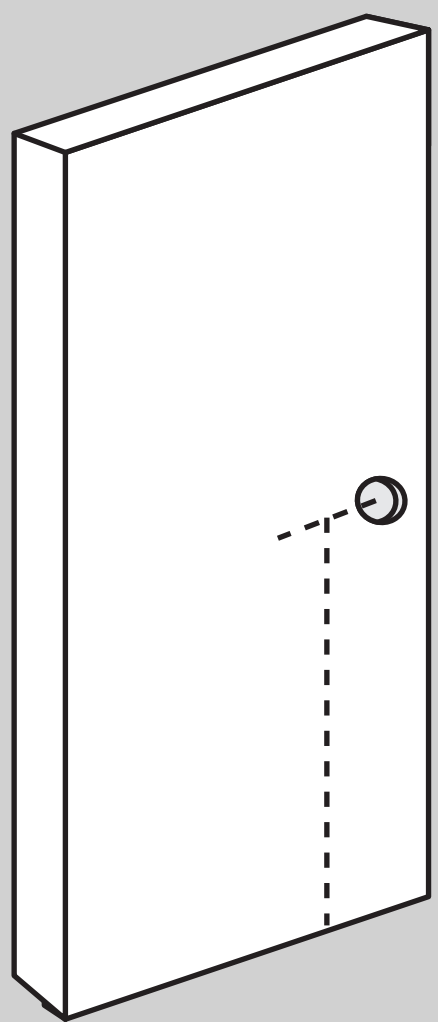


**Door Knob Boring—Yes**

When you order door knob boring, Rustica will bore the door knob hole to a standard 2-1/8" diameter. Rustica will also do a 1" cross bore and edge plate prep.

This is an industry standard prep.

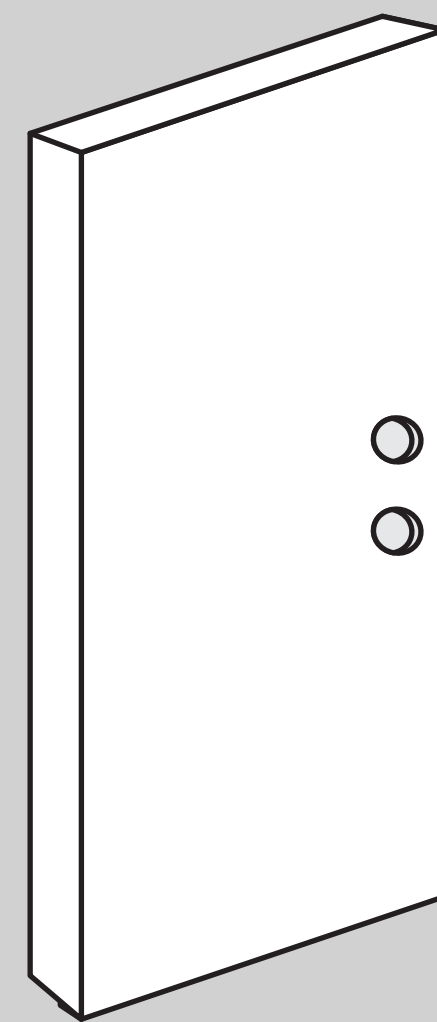
www.RUSTICA.com



**Door Knob Boring Placement**—Measure from the bottom of the door to the center of where you want your door knob

(Standard residential measurement is 36" & commercial is 41")

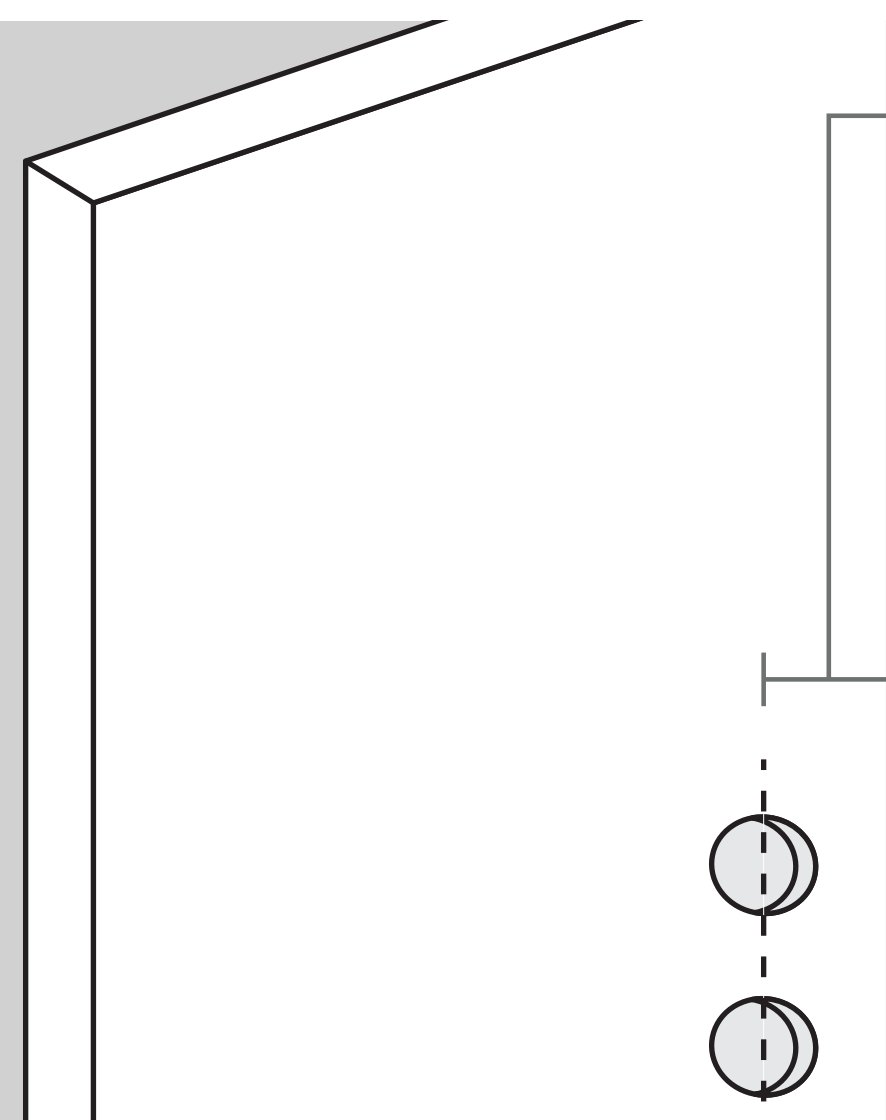
www.RUSTICA.com



**Double Bore**—If you would like to add a deadbolt to your door, we can drill an additional hole for you.

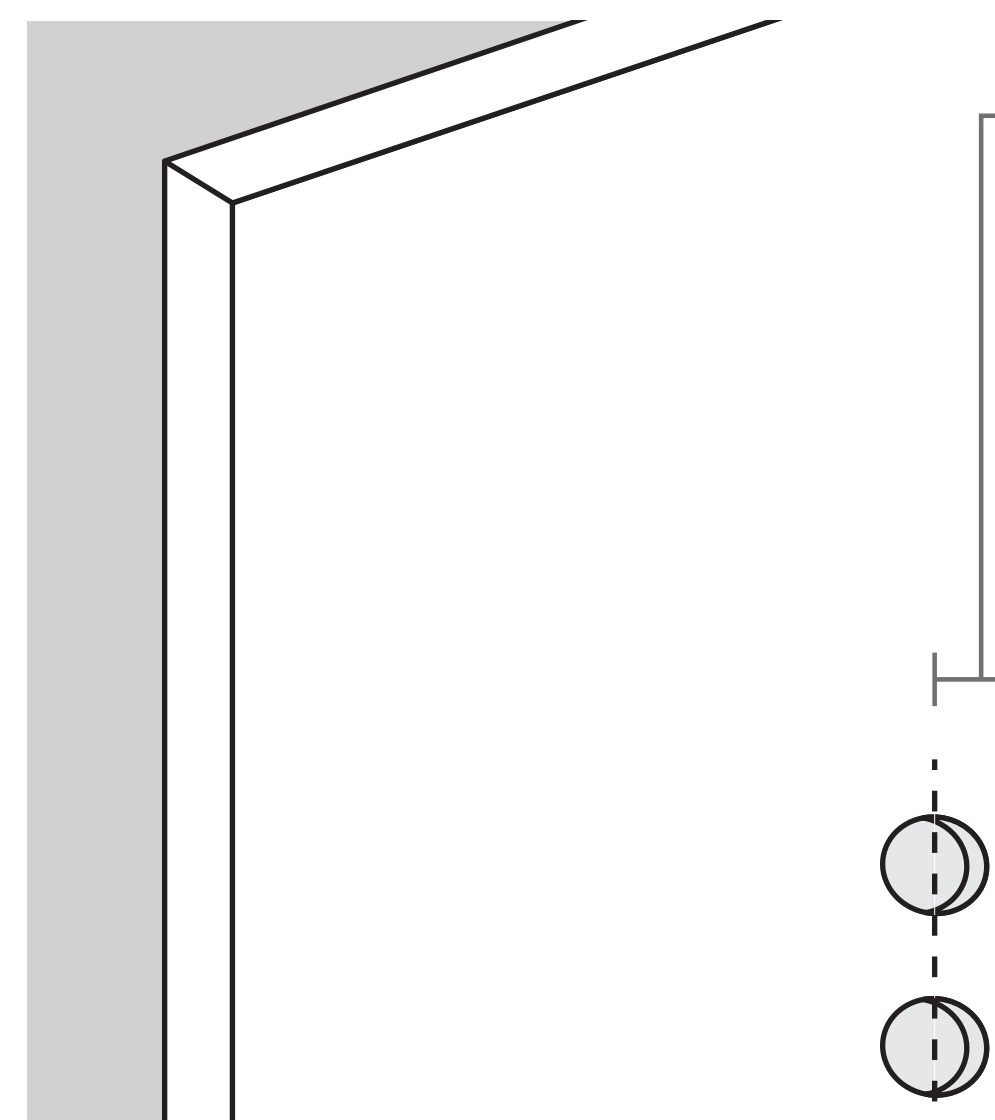
The additional bore will be 5-1/2" above the handle bore (center-to-center) prepped for deadbolt hardware.

www.RUSTICA.com



**2-3/4 Backset or Bore Placement**—2-3/4 in. from edge of door to the center of bore hole

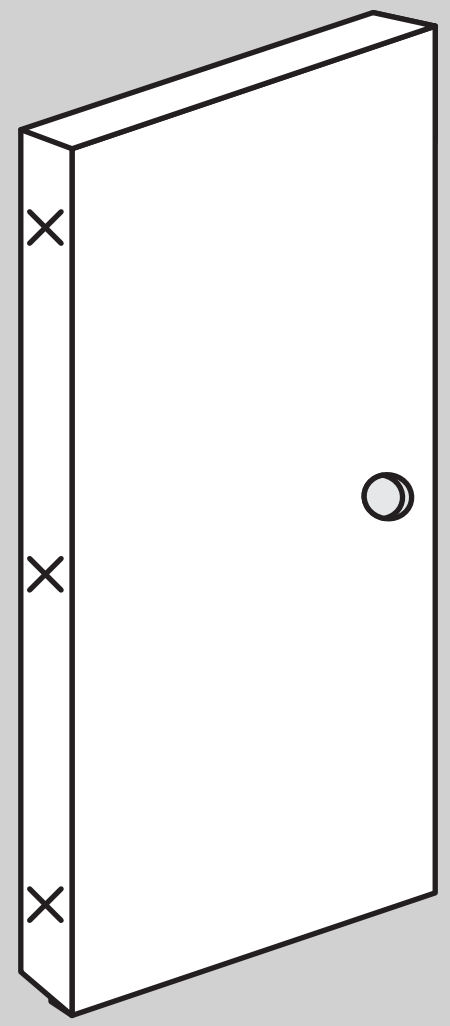
www.RUSTICA.com



**2-3/8 Backset or Bore Placement**—2-3/8 in. from edge of door to the center of bore hole

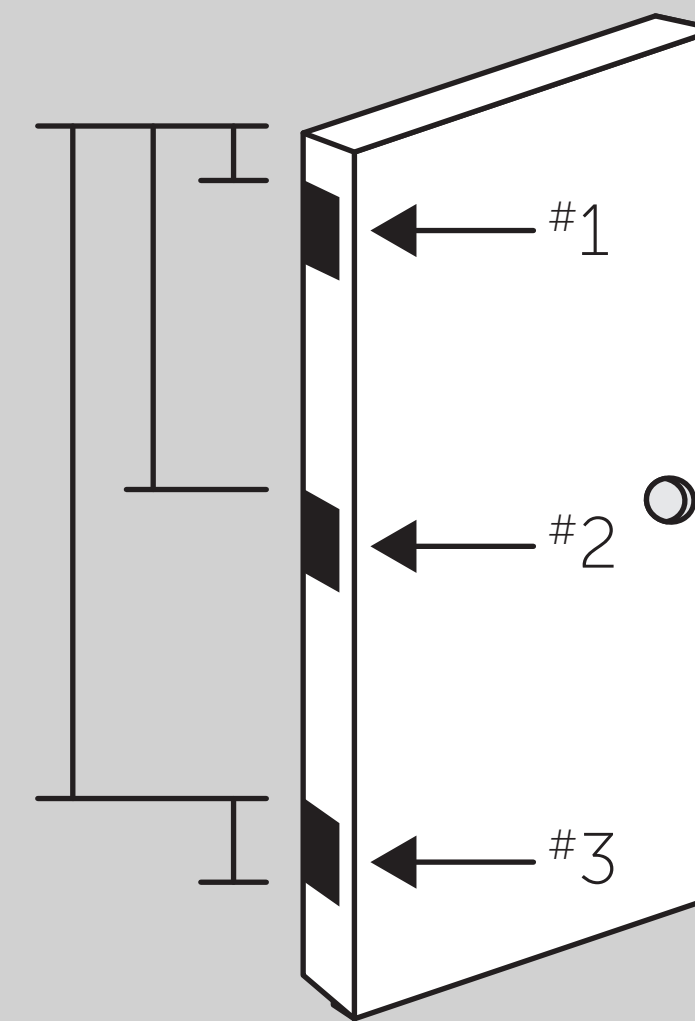
www.RUSTICA.com





### Hinge Prep–None

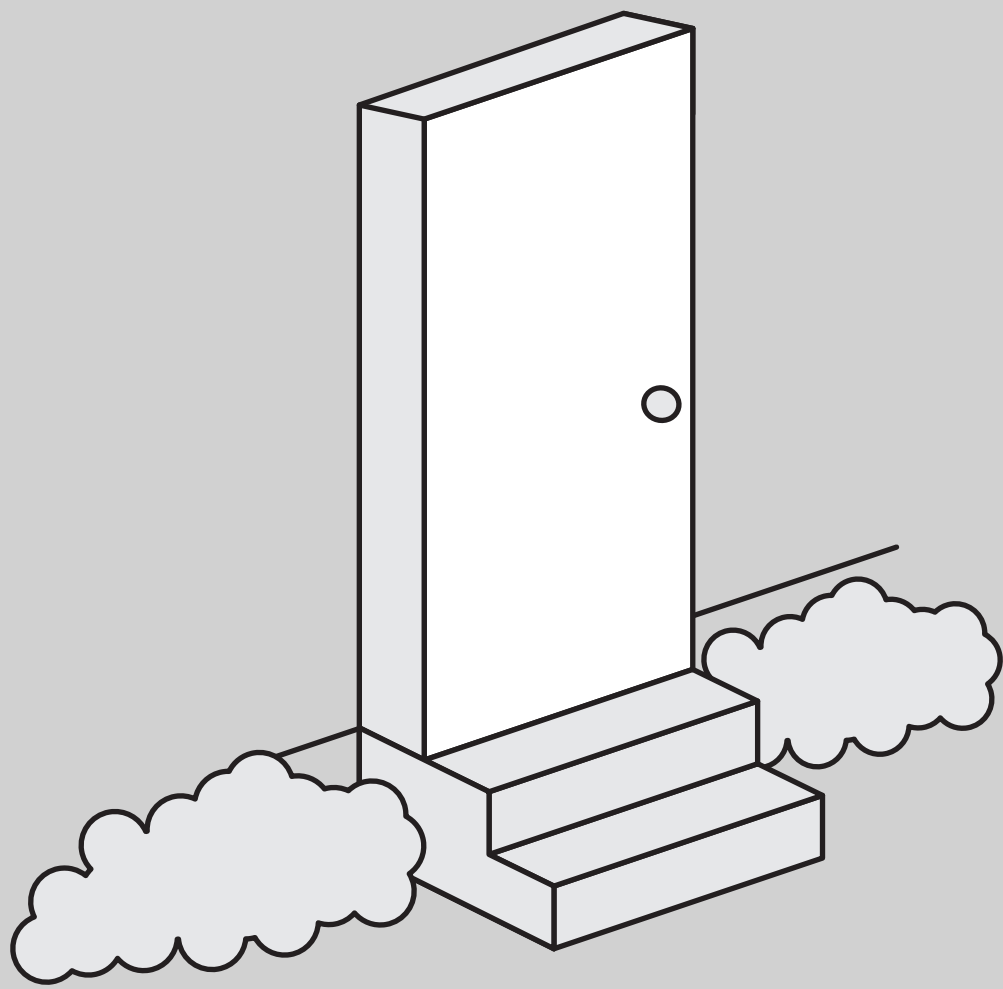
www.RUSTICA.com



### Hinge Prep–Yes

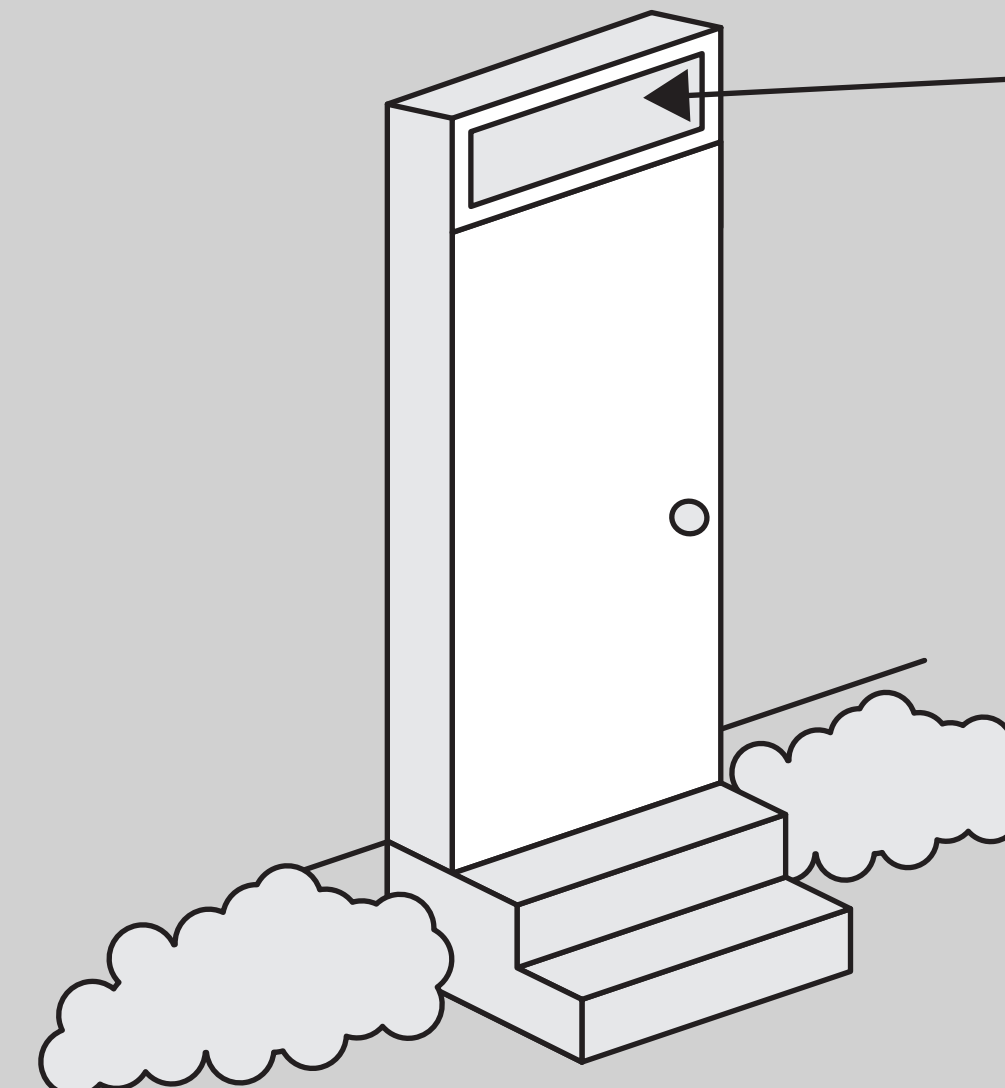
For hinge prep on slabs, measure from the top of the door to the top of each hinge. Then measure the height of the hinge.

www.RUSTICA.com



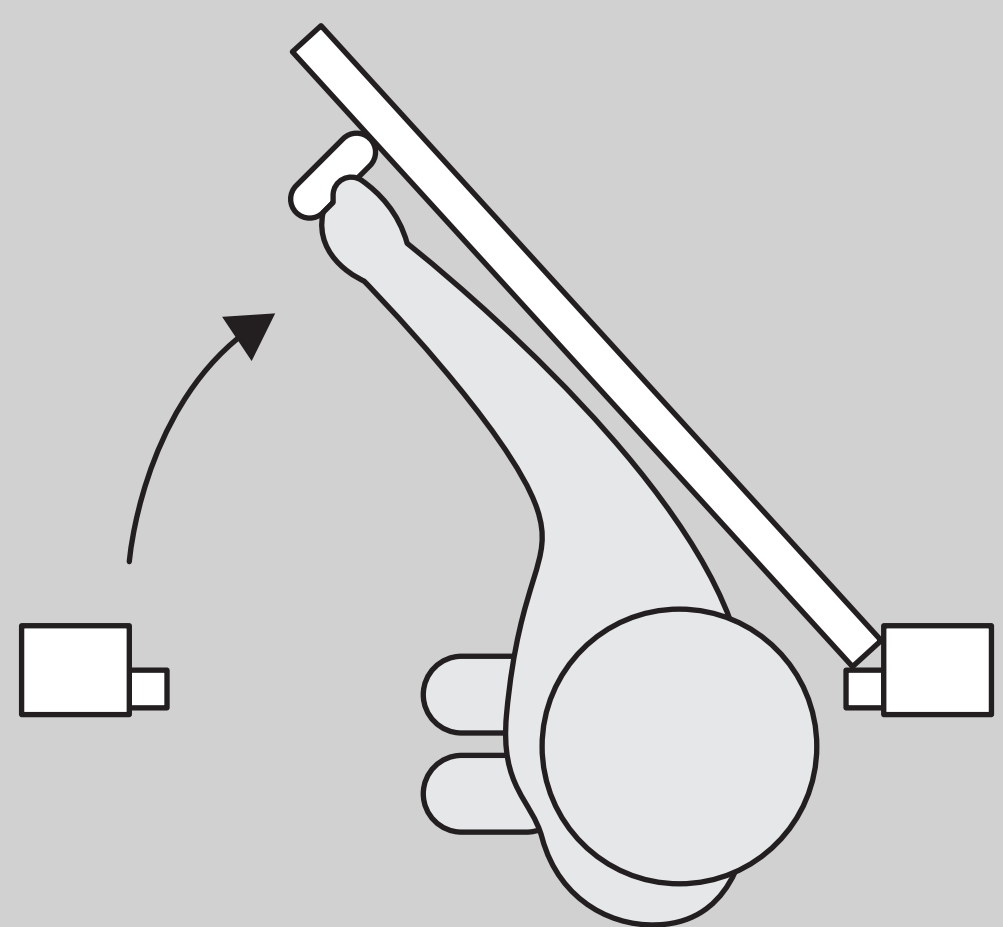
### Transom Window–No

www.RUSTICA.com



### Transom Window–Yes

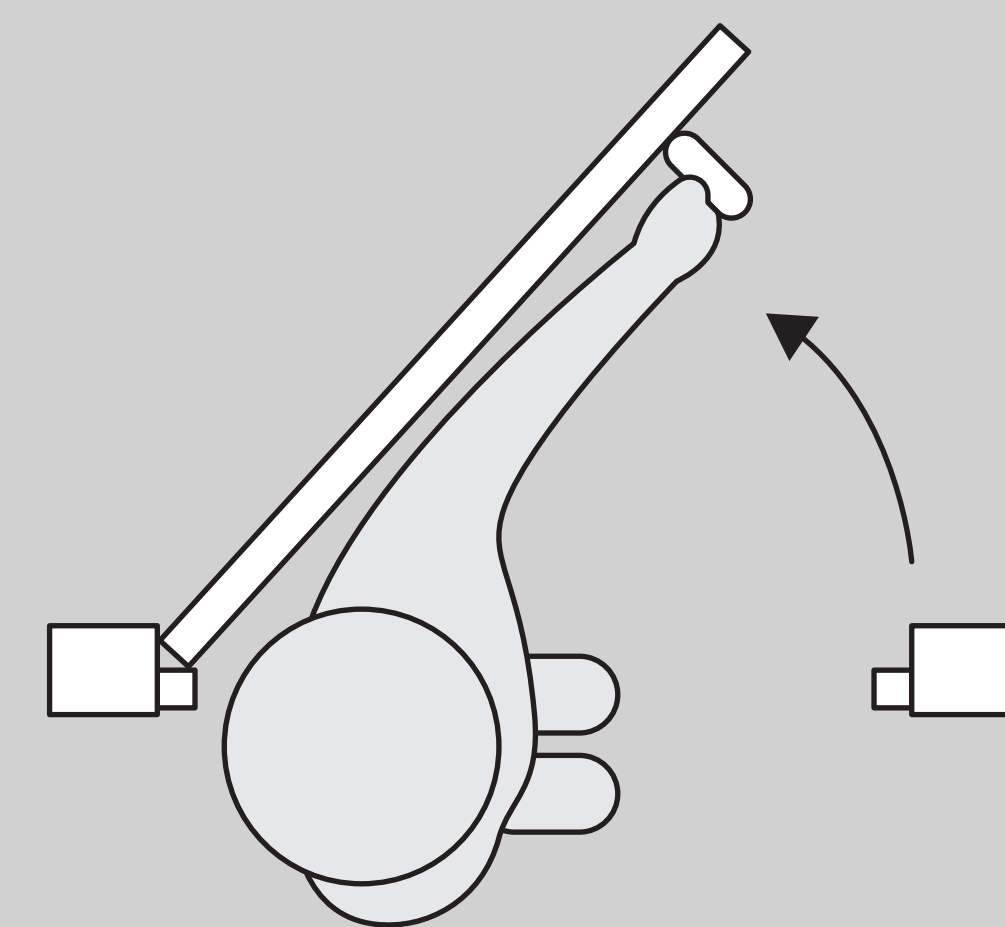
www.RUSTICA.com



**Right Handed**–To determine the door handing (as shown in the illustration) one should stand in the doorway with your back where the hinges will go.

If the door will be swinging to your right, the door will be "right handed". The opposite is true for the left.

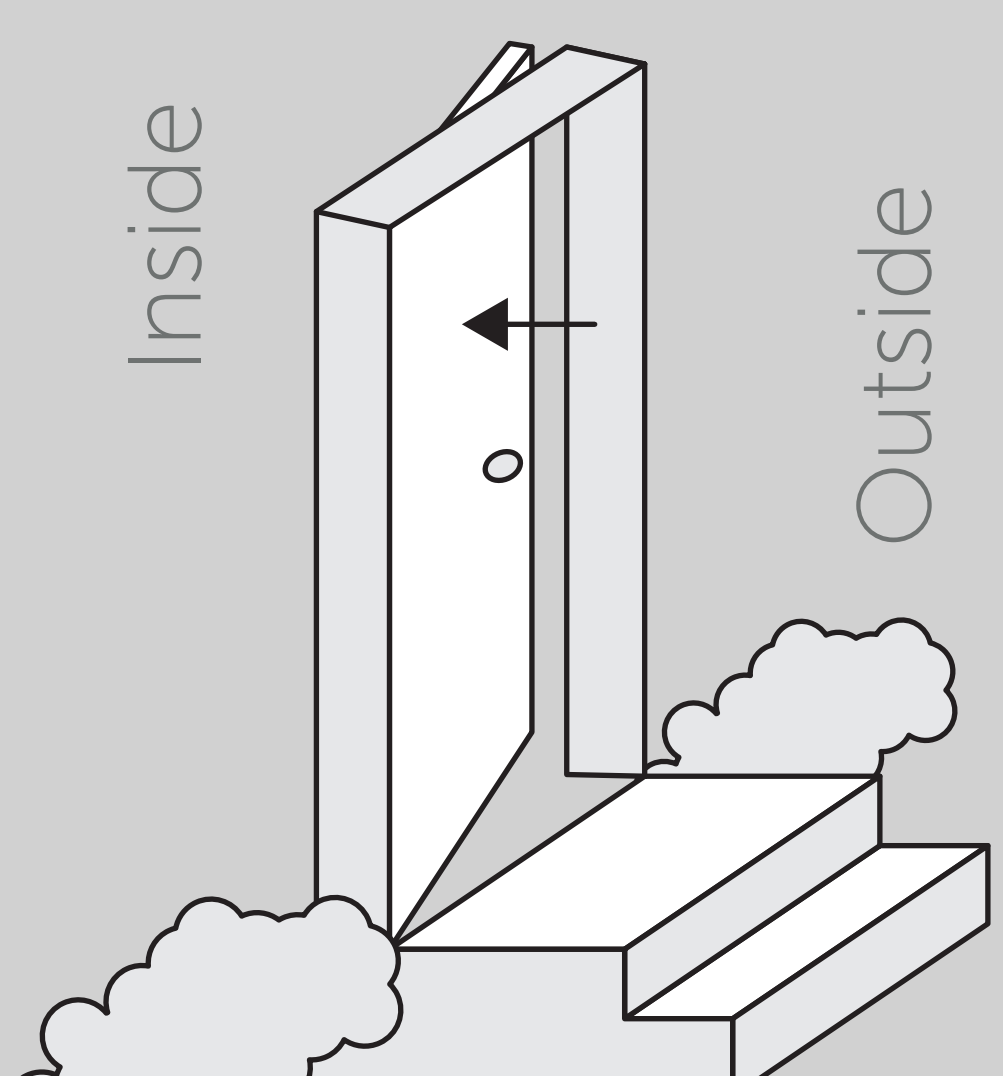
www.RUSTICA.com



**Left Handed**–To determine the door handing (as shown in the illustration) one should stand in the doorway with your back where the hinges will go.

If the door will be swinging to your left, the door will be "left handed". The opposite is true for the right.

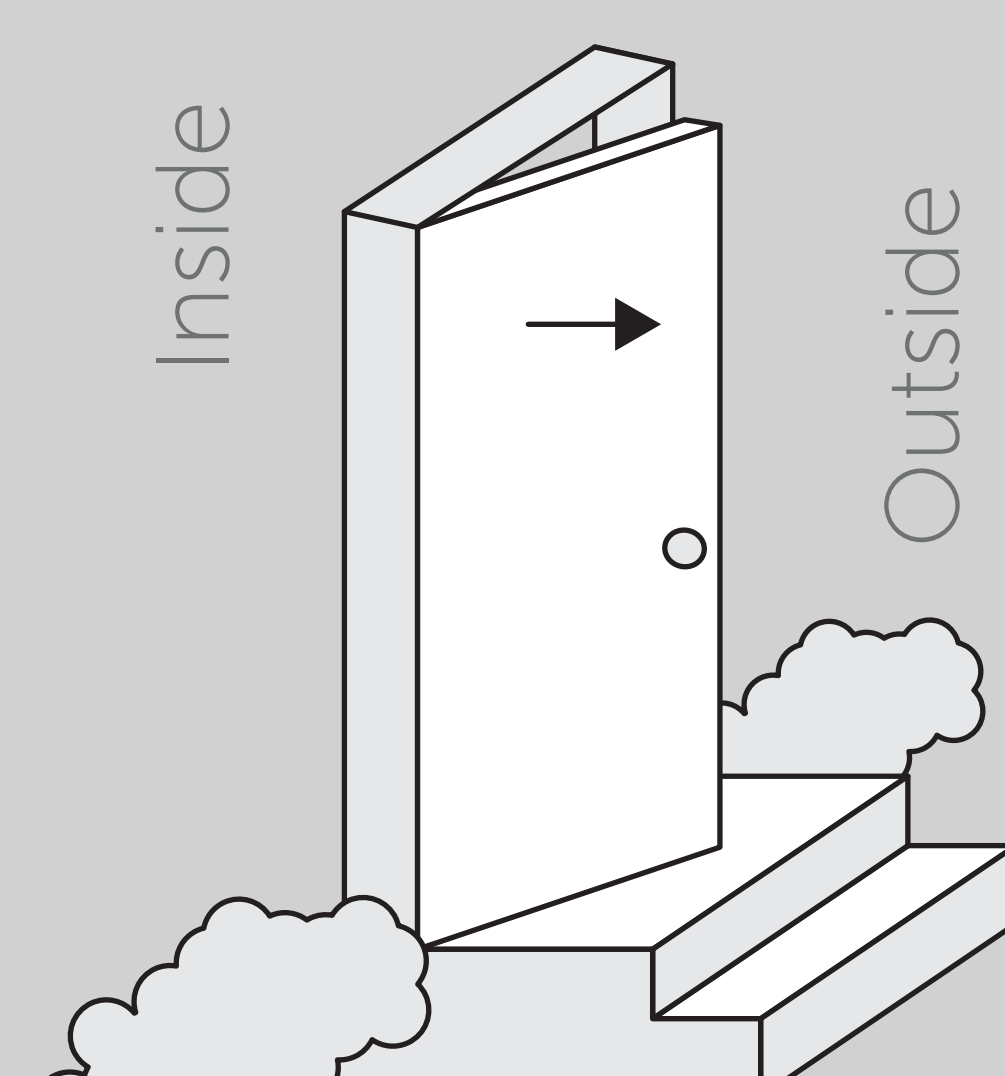
www.RUSTICA.com



**Inswing**–Once the handing is determined the door should be swinging into the room or home if it's an "inswing".

If it is an outswing, then the door will be swinging outside or outside of the room.

www.RUSTICA.com



**Outswing**–Once the handing is determined the door should be swinging out of the room or home if it's an "outswing".

If it is an inswing, then the door will be swinging inside or inside of the room.

www.RUSTICA.com



