



OMNI-DIRECTIONAL SOLUTIONS SINCE 1909

**9433 OMNITRACK
HIGH CAPACITY
BALL TRANSFER UNIT**
REVISION # 01

∅ 25,4 [1.0]

REMOVABLE & REUSABLE 'SPIROLOX' CIRCLIP
ALLOWS CLEANING/USER SERVICING

Available Material Options

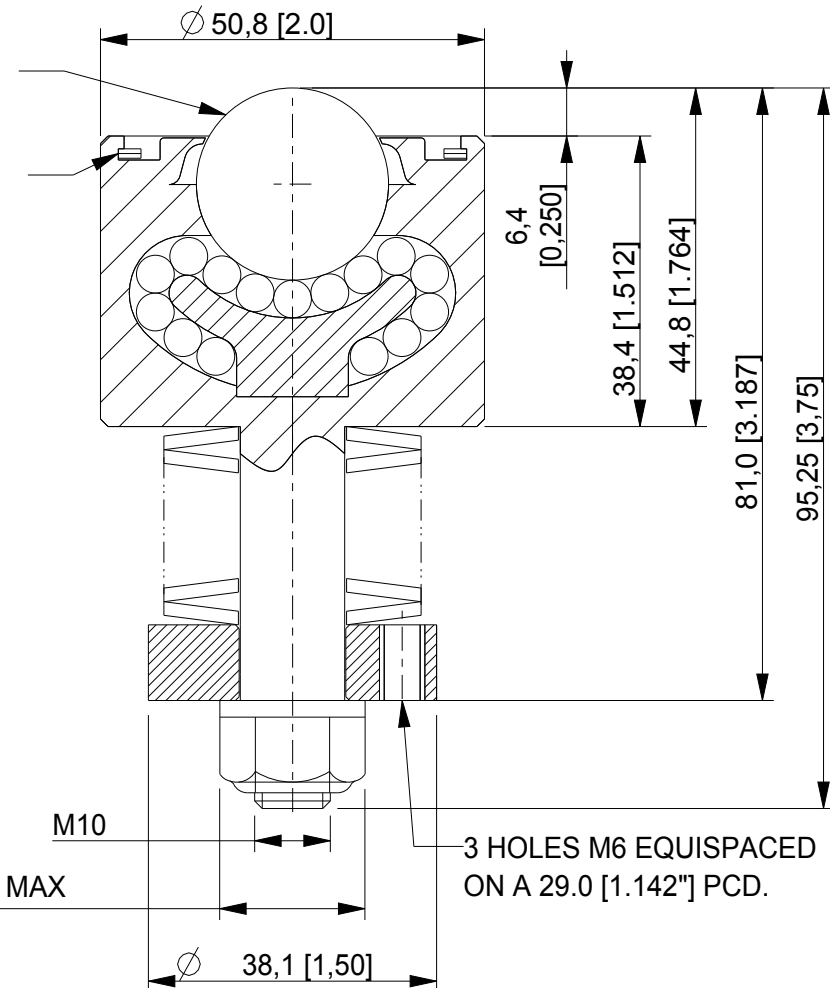
| Part # | Load Bearing Internal Materials | Ball Material | Casing Material & Finish |
|--------|---------------------------------|---------------|---|
| 9433 | AISI 52100 | AISI 52100 | AISI 1012 ZINC/ELECTROPHORETIC (BLACK) |
| 9433A | AISI 52100 | AISI 440 | AISI 1012 ZINC/ELECTROPHORETIC (BLACK) |
| 9433Z | AISI 440 | AISI 440 | AISI 1012 ELECTROPHORETIC (BLACK) |
| 9433SS | AISI 440 | AISI 440 | AISI 304 - NATURAL |

SPRING MATERIAL FOR ALL OPTIONS = LIGHTLY GREASED CARBON STEEL

~ Operating temperature -20° C + 125° C (continuous)

NOTES:

1. SUPPORTS A LOAD OF 227 Kg / 500 Lbs
2. MAXIMUM RECOMMENDED DEFLECTION 4,6mm [0.183"]
3. 331 Kg / 730 Lbs LOAD AT MAXIMUM DEFLECTION



ALL DIMENSIONS IN mm [inch]
IF VIEWED AS PDF, DO NOT SCALE
IF VIEWED AS DWG, SCALE 1 : 1
TOLERANCE ± 0,25
QMF 31 ISSUE 01 : 22/06/2012

OMNITRACK
RODBOROUGH COURT
STROUD, GL5 3LR, ENGLAND

Telephone: +44 (0)1453 873 345
Fax: +44 (0)1453 878 500
info @ omnitrack.com
www.omnitrack.com

THIS DOCUMENT CONTAINS OMNITRACK
PROPERTY AND CONFIDENTIAL INFORMATION.
IT IS LOANED FOR LIMITED PURPOSES ONLY
AND REMAINS THE PROPERTY OF OMNITRACK.
IT MAY NOT BE REPRODUCED IN WHOLE
OR PART OR DISCLOSED TO THIRD PARTIES
WITHOUT THE PRIOR WRITTEN CONSENT OF
OMNITRACK. THE DOCUMENT IS TO BE
RETURNED TO OMNITRACK UPON REQUEST
AND IN ALL EVENTS UPON COMPLETION OF THE
USE FOR WHICH IT WAS LOANED