



OMNI-DIRECTIONAL SOLUTIONS SINCE 1909

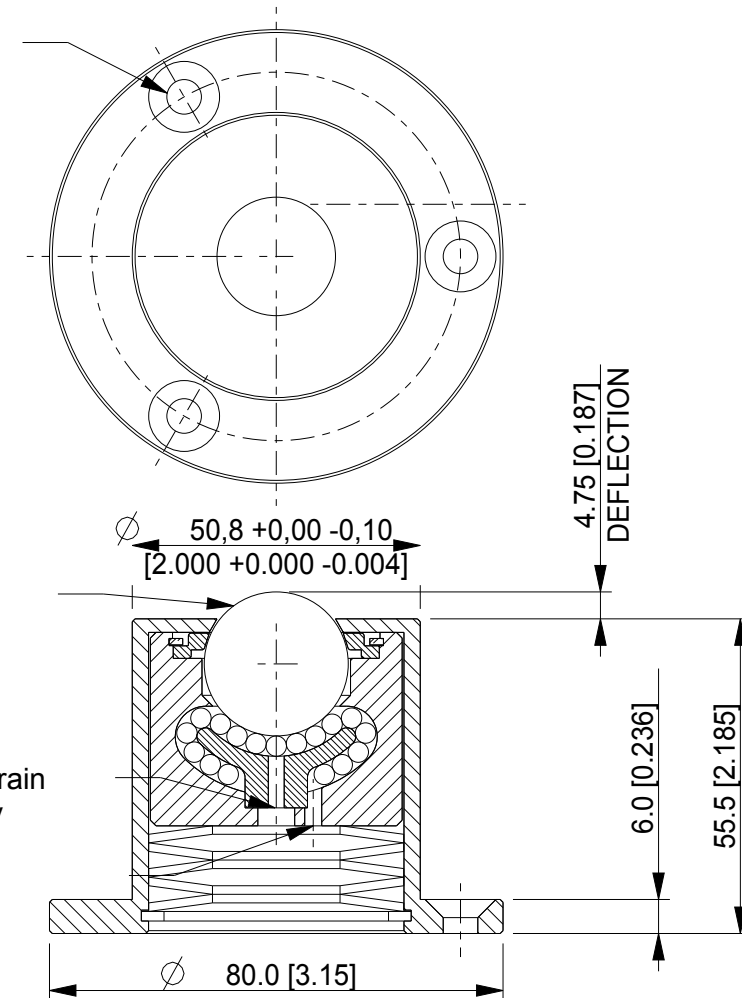
9720 OMNITRACK
HIGH CAPACITY
BALL TRANSFER UNIT
REVISION # 01

3 HOLES \varnothing 6.1 C'SUNK \varnothing 12.5
x 90° INCLUSIVE ON A 65 PCD

Available Material Options

Part #	Load Bearing Internal Materials	Ball Material	Casing Material & Finish
9720	AISI 52100	AISI 52100	AISI 1012 ZINC/ELECTROPHORETIC (BLACK)
9720 A	AISI 52100	AISI 440	AISI 1012 ZINC/ELECTROPHORETIC (BLACK)
9720 Z	AISI 440	AISI 440	AISI 1012 ELECTROPHORETIC (BLACK)
9720 SS	AISI 440	AISI 440	AISI 304 - NATURAL

~ Operating temperature -20° C + 125° C (continuous)



NOTES:

1. SUPPORTS A LOAD OF 91 Kg / 200 Lbs
2. 188 / 414 Lbs LOAD AT MAX DEFLECTION.

Centre drain
SS & Z versions only

Drain hole all versions

ALL DIMENSIONS IN mm [inch]
IF VIEWED AS PDF, DO NOT SCALE
IF VIEWED AS DWG, SCALE 3 : 4
TOLERANCE \pm 0,25
QMF 31 ISSUE 01 : 22/06/2012

OMNITRACK
RODBOROUGH COURT
STROUD, GL5 3LR, ENGLAND

Telephone: +44 (0)1453 873 345
Fax: +44 (0)1453 878 500
[info @ omnitrack.com](mailto:info@omnitrack.com)
www.omnitrack.com

THIS DOCUMENT CONTAINS OMNITRACK
PROPERTY AND CONFIDENTIAL INFORMATION.
IT IS LOANED FOR LIMITED PURPOSES ONLY
AND REMAINS THE PROPERTY OF OMNITRACK.
IT MAY NOT BE REPRODUCED IN WHOLE
OR PART OR DISCLOSED TO THIRD PARTIES
WITHOUT THE PRIOR WRITTEN CONSENT OF
OMNITRACK. THE DOCUMENT IS TO BE
RETURNED TO OMNITRACK UPON REQUEST
AND IN ALL EVENTS UPON COMPLETION OF THE
USE FOR WHICH IT WAS LOANED