



OMNI-DIRECTIONAL SOLUTIONS SINCE 1909

**9730 OMNITRACK  
HIGH CAPACITY  
BALL TRANSFER UNIT**  
REVISION # 01

3 HOLES  $\varnothing$  8.1 C'SUNK  $\varnothing$  16.0  
x 90° INCLUSIVE ON A 80 PCD

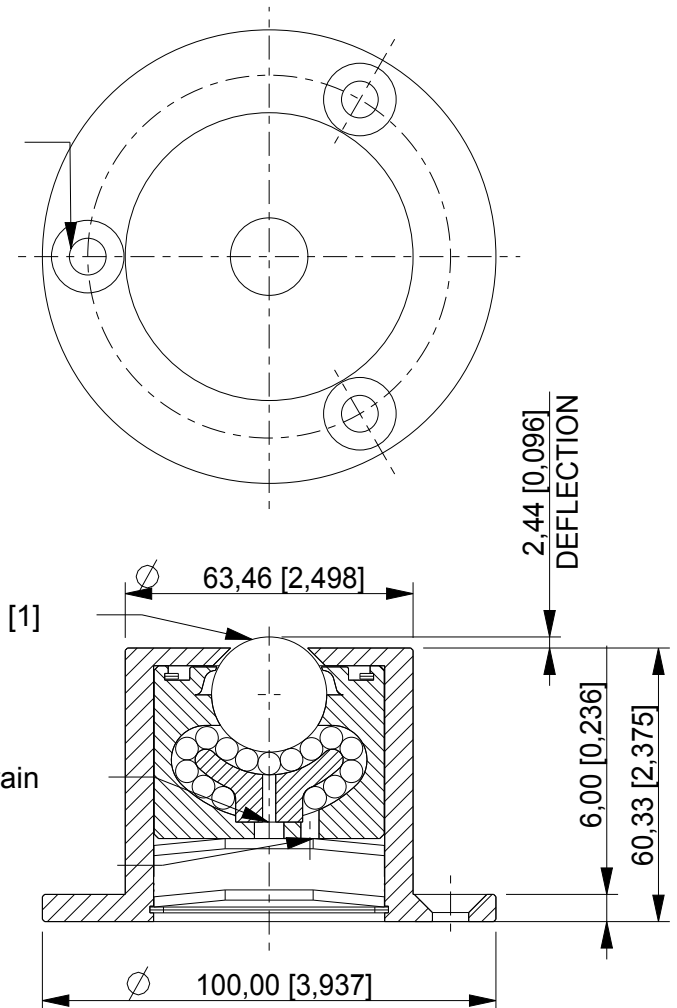
Available Material Options

Part #	Load Bearing Internal Materials	Ball Material	Casing Material & Finish
9730	AISI 52100	AISI 52100	AISI 1012 ZINC/ELECTROPHORETIC (BLACK)
9730 A	AISI 52100	AISI 440	AISI 1012 ZINC/ELECTROPHORETIC (BLACK)
9730 Z	AISI 440	AISI 440	AISI 1012 ELECTROPHORETIC (BLACK)
9730 SS	AISI 440	AISI 440	AISI 304 - NATURAL

~ Operating temperature -20° C + 125° C (continuous)

NOTES:

- SUPPORTS A LOAD OF 227 Kg / 500 Lbs
- 367 Kg / 807 Lbs LOAD AT MAX DEFLECTION.



Centre drain

SS & Z versions only

Drain hole all versions

ALL DIMENSIONS IN mm [inch]  
IF VIEWED AS PDF, DO NOT SCALE  
IF VIEWED AS DWG, SCALE 3 : 5  
TOLERANCE  $\pm$  0,25  
QMF 31 ISSUE 01 : 22/06/2012

**OMNITRACK**  
RODBOROUGH COURT  
STROUD, GL5 3LR, ENGLAND

Telephone: +44 (0)1453 873 345  
Fax: +44 (0)1453 878 500  
info @ omnitrack.com  
www.omnitrack.com

THIS DOCUMENT CONTAINS OMNITRACK PROPERTY AND CONFIDENTIAL INFORMATION. IT IS LOANED FOR LIMITED PURPOSES ONLY AND REMAINS THE PROPERTY OF OMNITRACK. IT MAY NOT BE REPRODUCED IN WHOLE OR PART OR DISCLOSED TO THIRD PARTIES WITHOUT THE PRIOR WRITTEN CONSENT OF OMNITRACK. THE DOCUMENT IS TO BE RETURNED TO OMNITRACK UPON REQUEST AND IN ALL EVENTS UPON COMPLETION OF THE USE FOR WHICH IT WAS LOANED