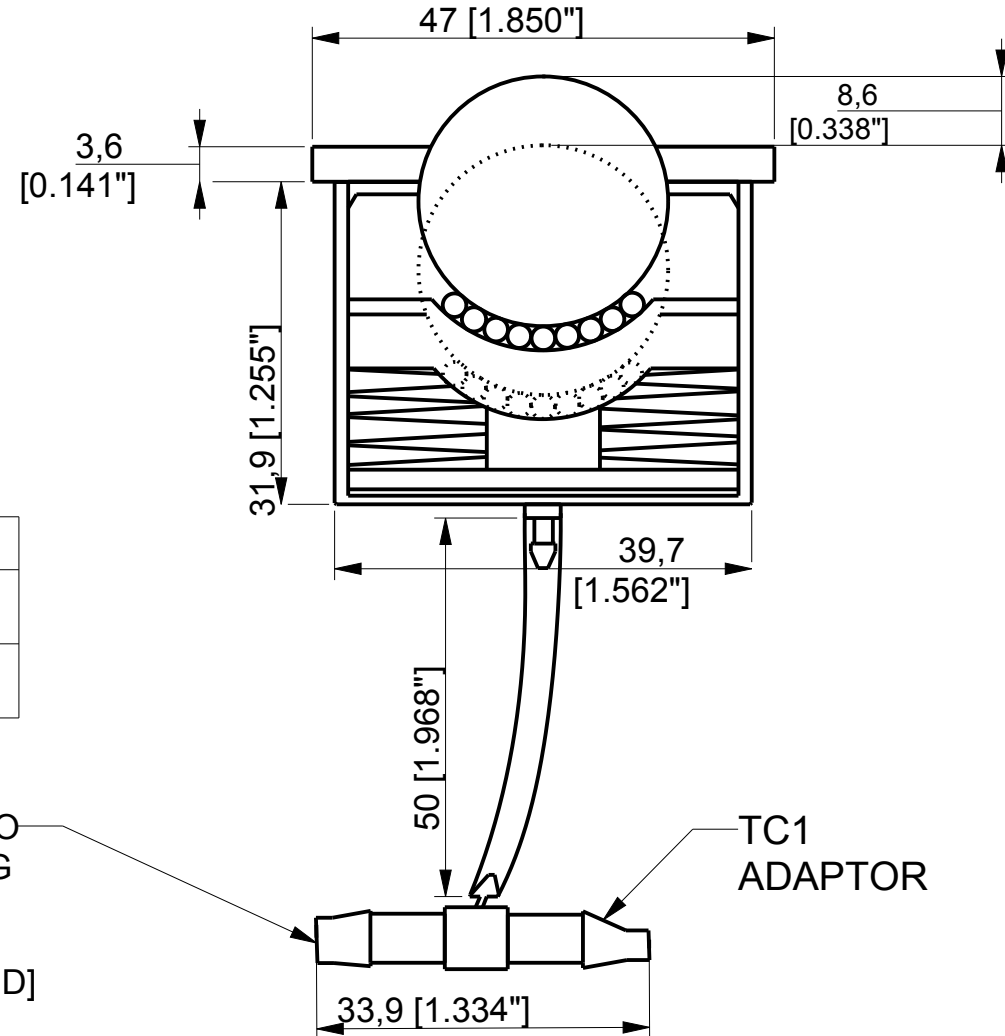
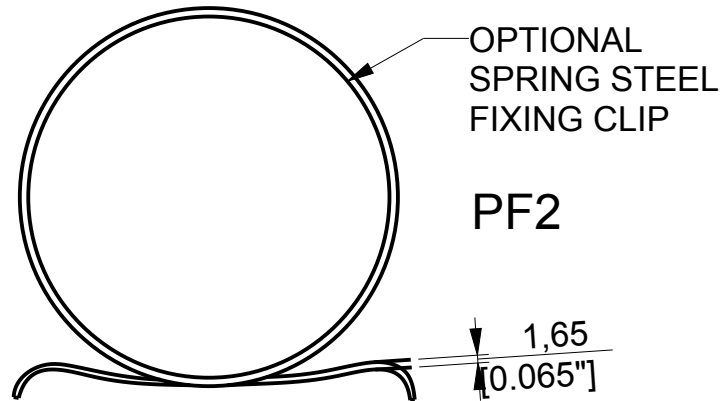


**PB25 PNEUMATIC
OMNITRACK
BALL TRANSFER UNIT**
REVISION # 01



Available Material Options

Part #	Load Bearing Internal Materials	Main Ball Material	Casing Material & Finish	Load Capacity
PB25	AISI 52100	AISI 52100	AISI 1015 Zinc Plated	25 kg

LIFT CAPACITY 25kg / 50 lbs

3.4 BAR / 50 PSI

4.57 I.D 6.73 O.D
[0.180 I.D 0.265" O.D]

ALL DIMENSIONS IN mm [inch]
IF VIEWED AS PDF, DO NOT SCALE
IF VIEWED AS DWG, SCALE x : x
TOLERANCE ± 0,25 [0,01]
QMF 31 ISSUE 02 : 09/01/2017

OMNITRACK
RODBOROUGH COURT
STROUD, GL5 3LR, ENGLAND

Telephone: +44 (0)1453 873 345
Fax: +44 (0)1453 878 500
[info @ omnitrack.com](mailto:info@omnitrack.com)
www.omnitrack.com

THIS DOCUMENT CONTAINS OMNITRACK
PROPERTY AND CONFIDENTIAL INFORMATION.
IT IS LOANED FOR LIMITED PURPOSES ONLY
AND REMAINS THE PROPERTY OF OMNITRACK.
IT MAY NOT BE REPRODUCED IN WHOLE
OR PART OR DISCLOSED TO THIRD PARTIES
WITHOUT THE PRIOR WRITTEN CONSENT OF
OMNITRACK. THE DOCUMENT IS TO BE
RETURNED TO OMNITRACK UPON REQUEST
AND IN ALL EVENTS UPON COMPLETION OF THE
USE FOR WHICH IT WAS LOANED