

Corrected to NOVEMBER 1960

PARTS LIST No. 5537

KODAK RETINA IIc, IIIc, and IIIC CAMERAS

AND

KODAK RETINA FIELD CASE, MODEL B

This revised parts list supersedes models IIc and IIIc covered in Parts List No. 5517. Parts common to all models are identified by part number and name only. Parts not common to all models are identified by the model reference.



ORDER PARTS FROM APPARATUS PARTS SERVICE
EASTMAN KODAK COMPANY, ROCHESTER 4, N.Y.

KODAK RETINA IIc, IIIc, and IIIC CAMERAS



HOUSING ASSEMBLY-N-4032
See figure 4

KODAK RETINA IIc

HOUSING ASSEMBLY-N-4096
See figure 4



METER ASSEMBLY-N-4243
See figure 4A

KODAK RETINA IIIc, Old Style

HOUSING ASSEMBLY-N-4735
See figure 4



METER ASSEMBLY-N-4503
See figure 4A

KODAK RETINA IIIc, New Style

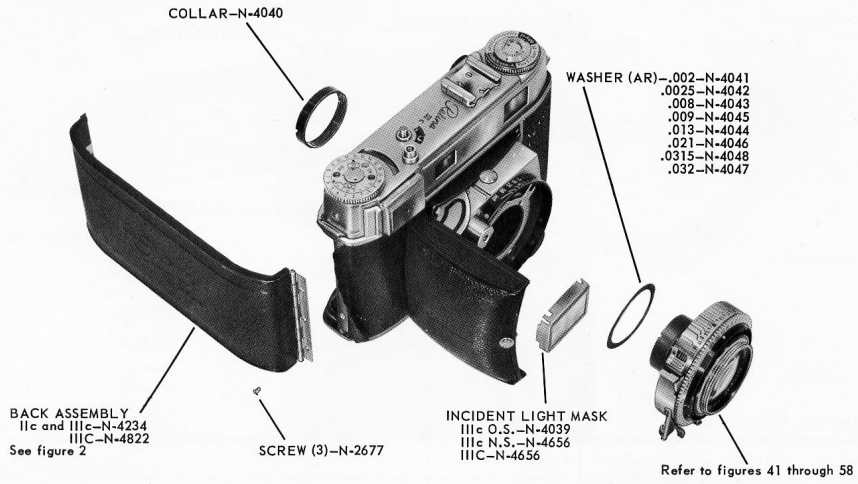
METER ASSEMBLY
Old Style-N-4503
New Style-N-4883
See figure 4A



HOUSING ASSEMBLY-N-4781
See figure 4

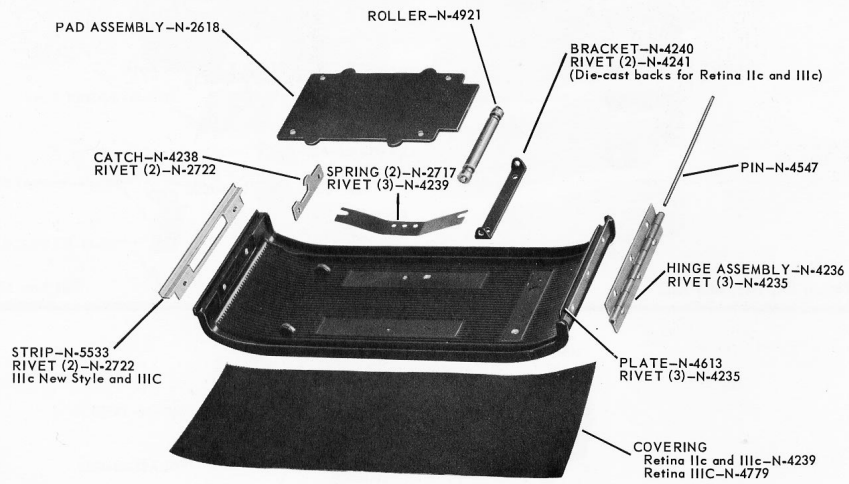
KODAK RETINA IIIC

KODAK RETINA IIc, IIIc, and IIIC CAMERAS



RETINA IIc, IIIc and IIIC

Figure 1

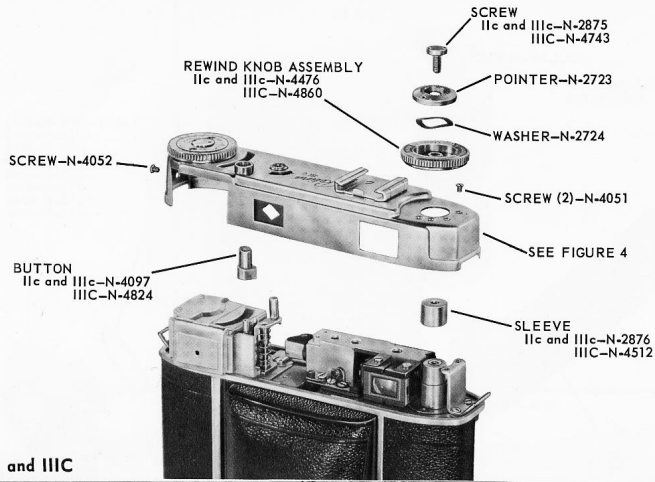


BACK ASSEMBLY
Retina IIc and IIIC-N-4234
Retina IIIC-N-4822

Figure 2

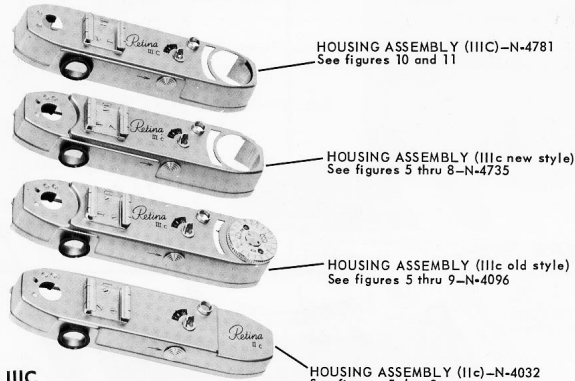
Always give PART NUMBER and NAME when ordering parts

KODAK RETINA IIc, IIIc, and IIIC CAMERAS



Retina IIc, IIIc, and IIIC

Figure 3



Retina IIc, IIIc, and IIIC

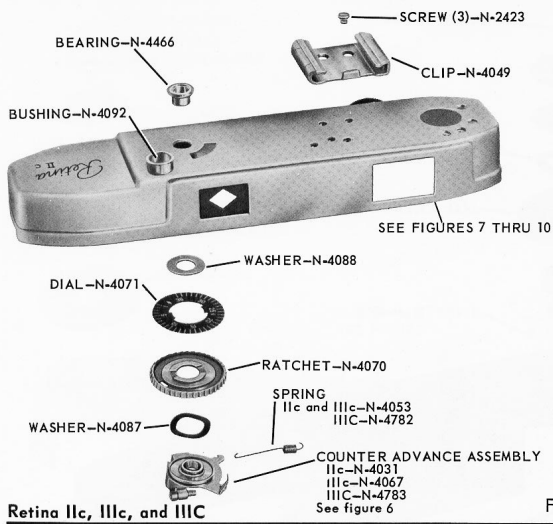
Figure 4



Retina IIc, IIIc, and IIIC

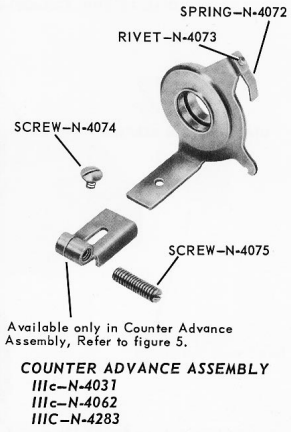
Figure 4A

KODAK RETINA IIc, IIIc, and IIIC CAMERAS

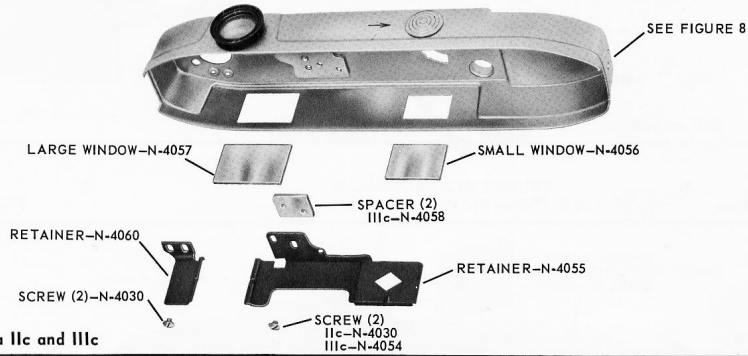


Retina IIc, IIIc, and IIIC

Figure 5

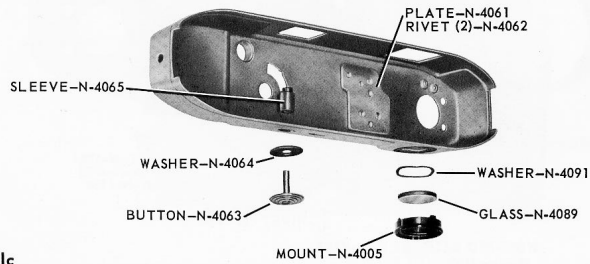


Retina IIc, IIIc, and IIIC Figure 6



Retina IIc and IIIc

Figure 7

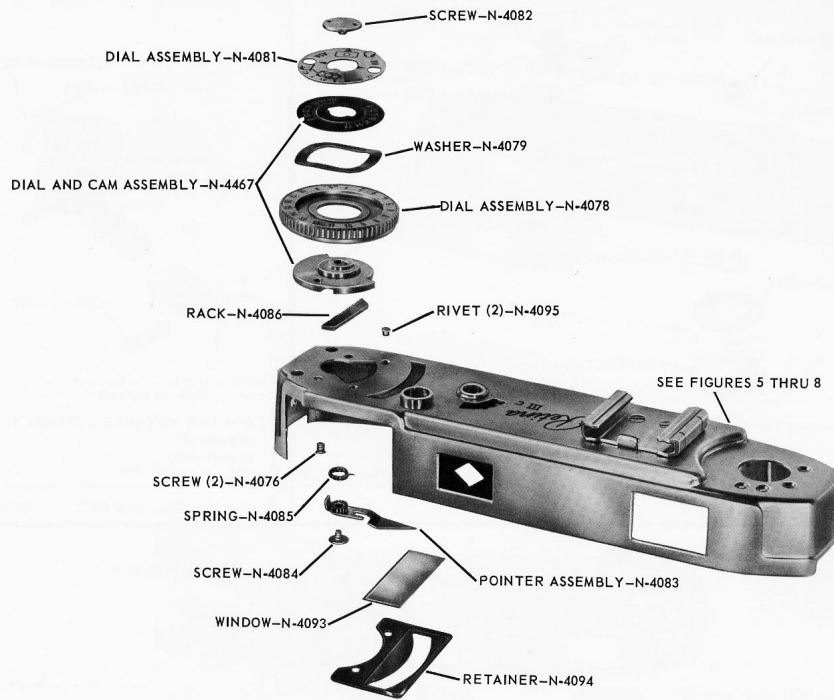


Retina IIc and IIIc

Figure 8

Always give PART NUMBER and NAME when ordering parts

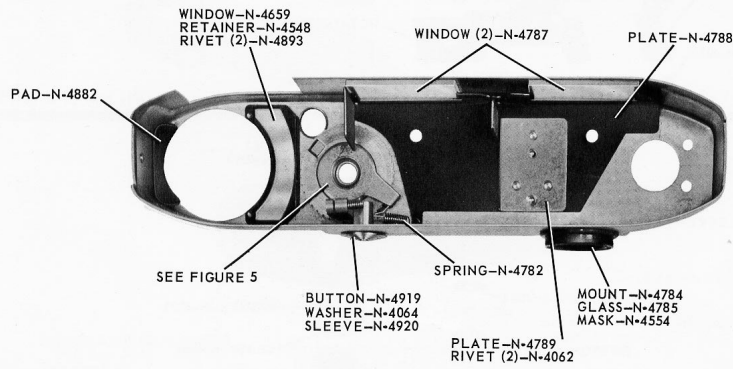
KODAK RETINA IIc, IIIc, and IIIC CAMERAS



HOUSING ASSEMBLY-N-4096
Retina IIIc Old Style

RETINA IIIc Old Style

Figure 9



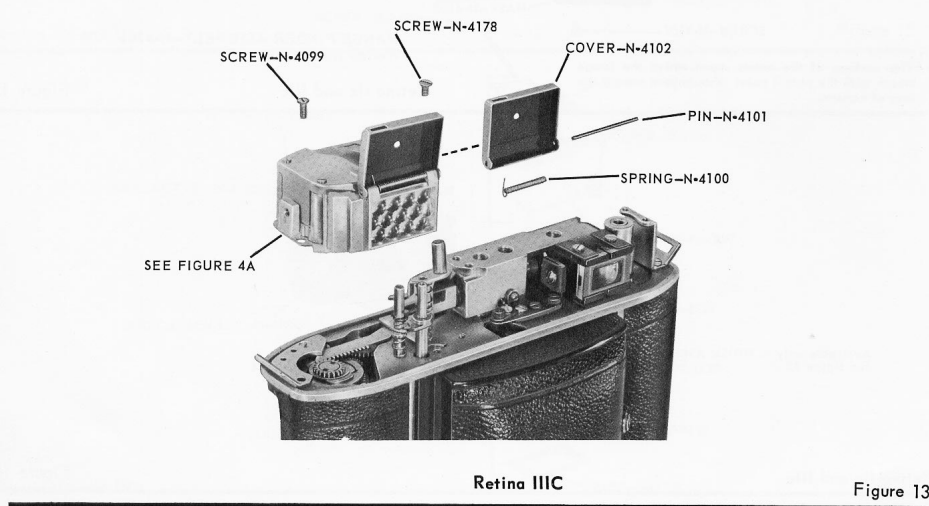
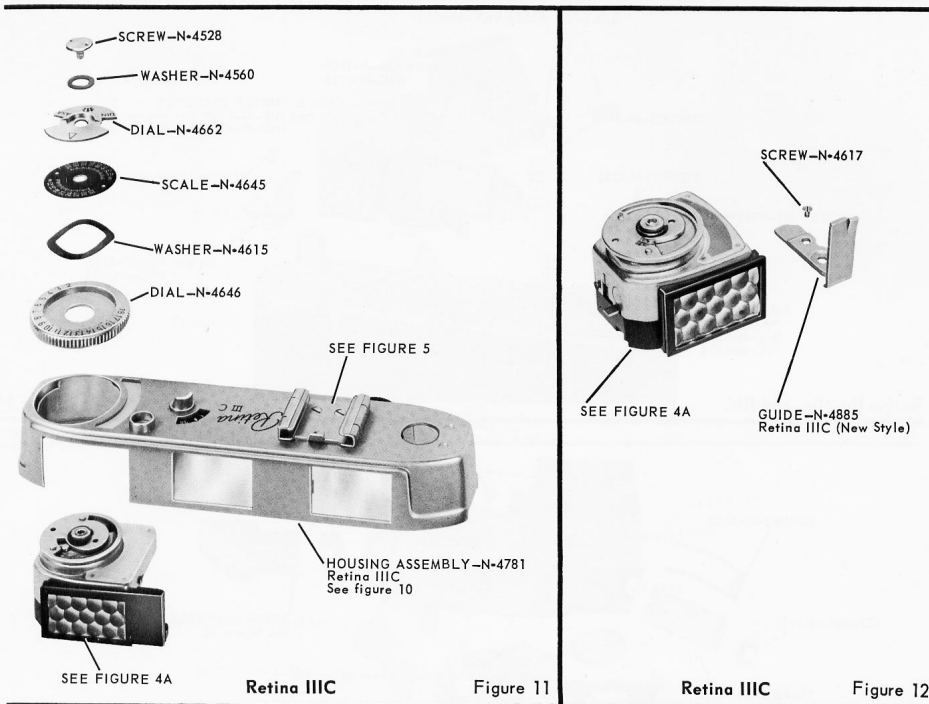
HOUSING ASSEMBLY-N-4781
Retina IIIC

RETINA IIIC

Figure 10

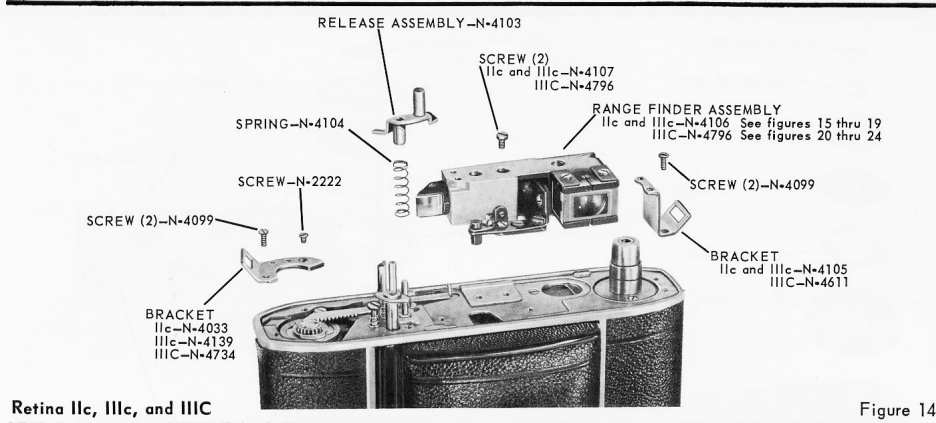
Always give PART NUMBER and NAME when ordering parts

KODAK RETINA IIc, IIIc, and IIIC CAMERAS



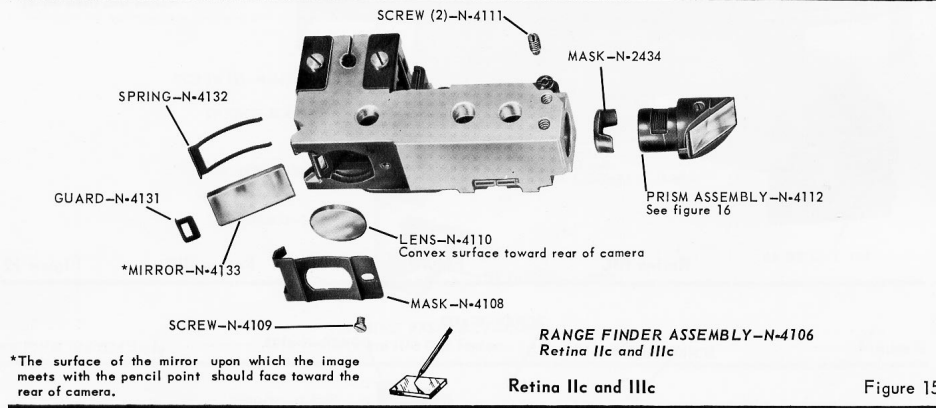
Always give PART NUMBER and NAME when ordering parts

KODAK RETINA IIc, IIIc, and IIIC CAMERAS



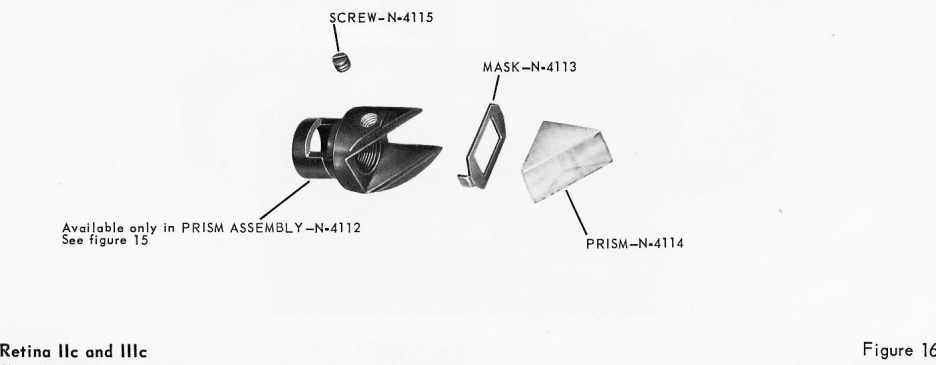
Retina IIc, IIIc, and IIIC

Figure 14



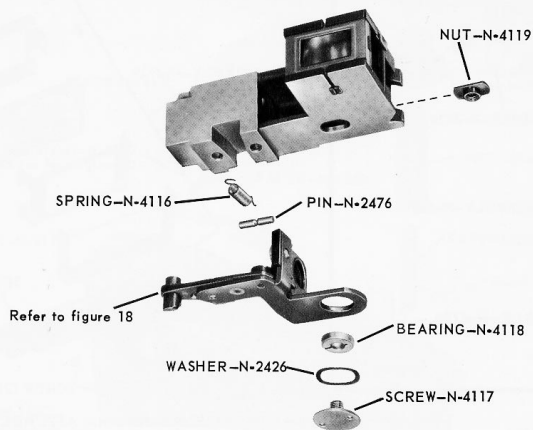
Retina IIc and IIIc

Figure 15



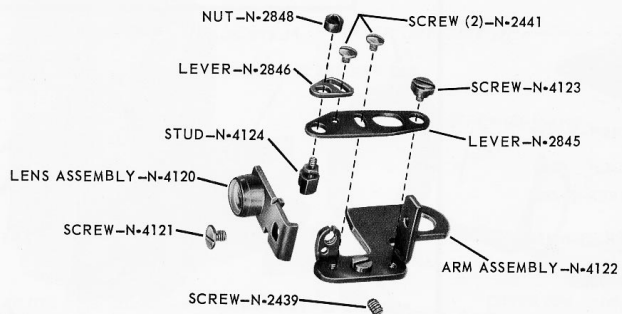
Retina IIc and IIIc

Figure 16



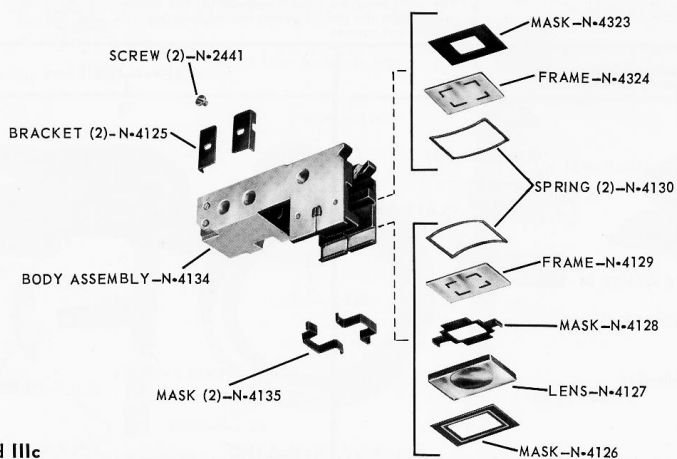
Retina IIc and IIIc

Figure 17



Retina IIc and IIIc

Figure 18

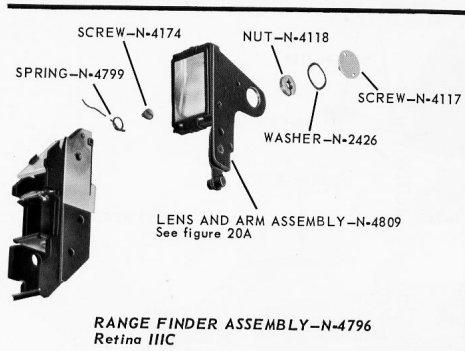


Retina IIc and IIIc

Figure 19

Always give PART NUMBER and NAME when ordering parts

KODAK RETINA IIc, IIIc, and IIIC CAMERAS



Retina IIIC

Figure 20

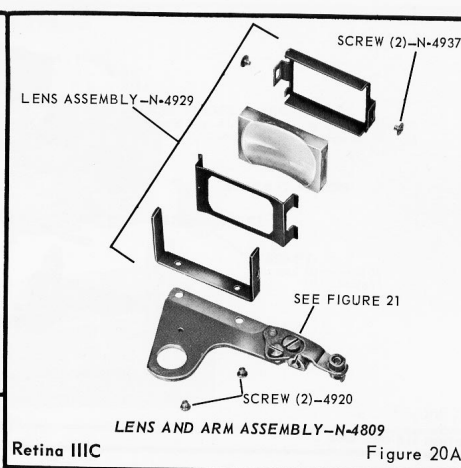
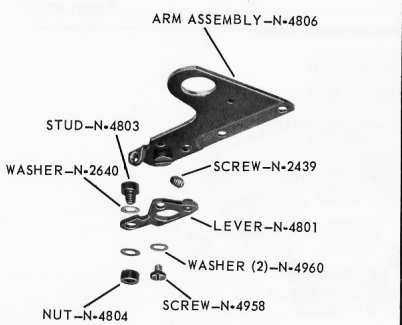
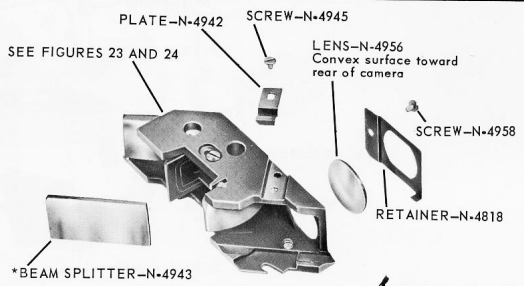


Figure 20A



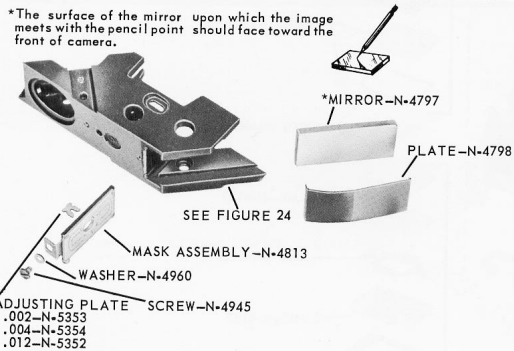
Retina IIIC

Figure 21



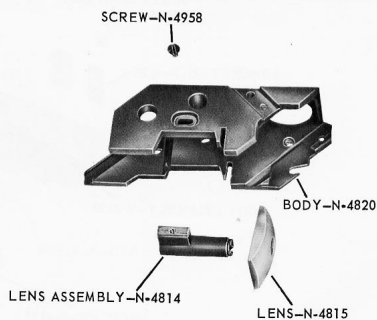
*The surface of the mirror upon which the image meets with the pencil point should face toward the rear of camera.

Figure 22



Retina IIIC

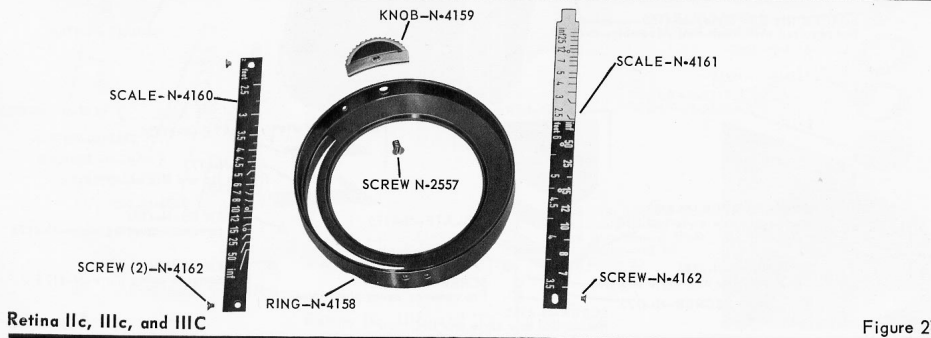
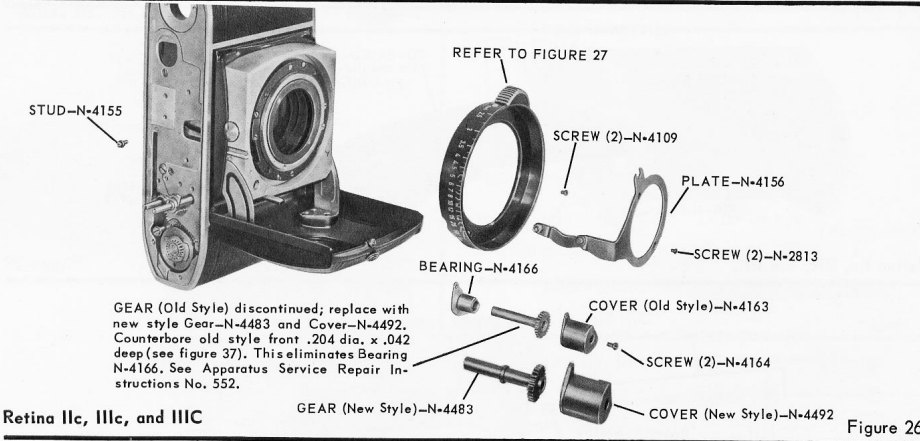
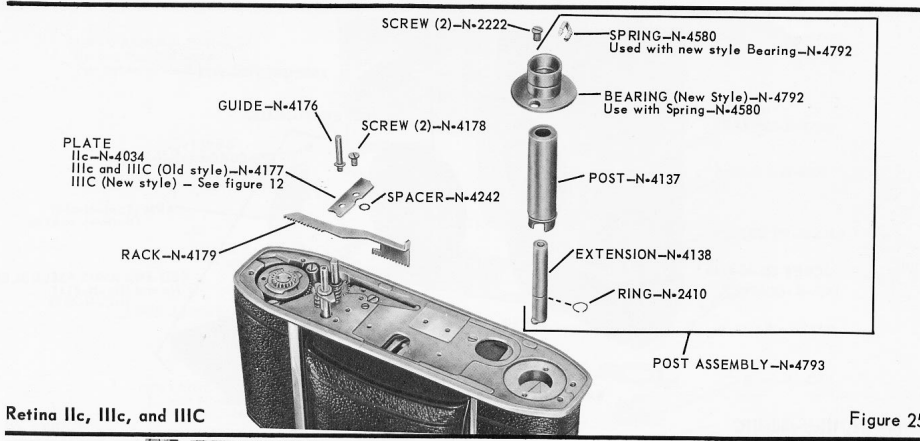
Figure 23



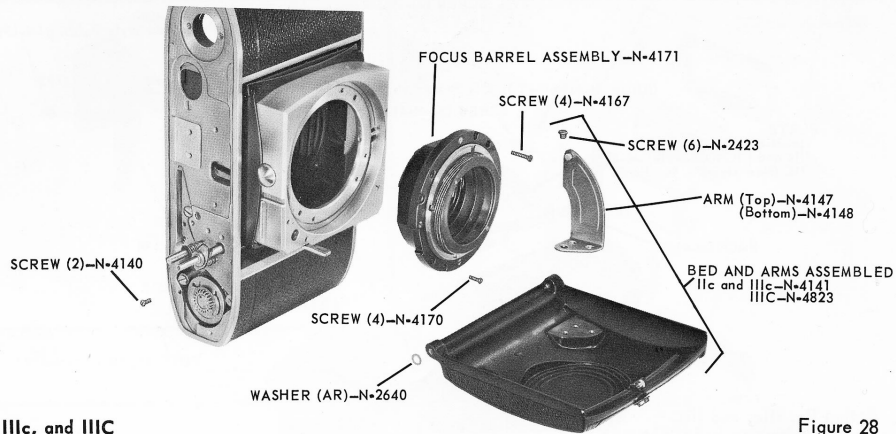
Retina IIIC

Figure 24

KODAK RETINA IIc, IIIc, and IIIC CAMERAS

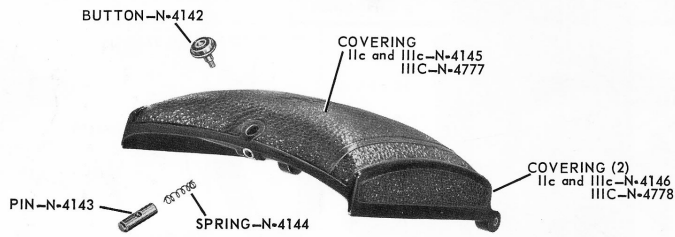


Always give PART NUMBER and NAME when ordering parts



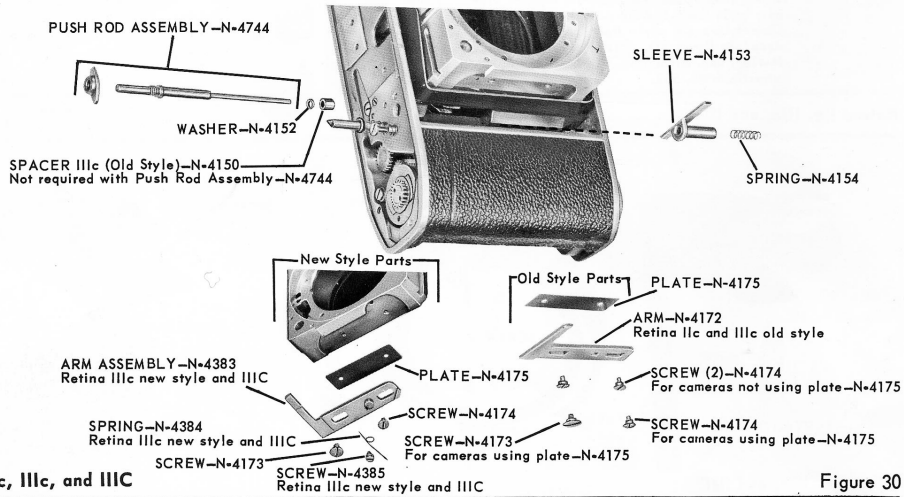
Retina IIc, IIIc, and IIIC

Figure 28



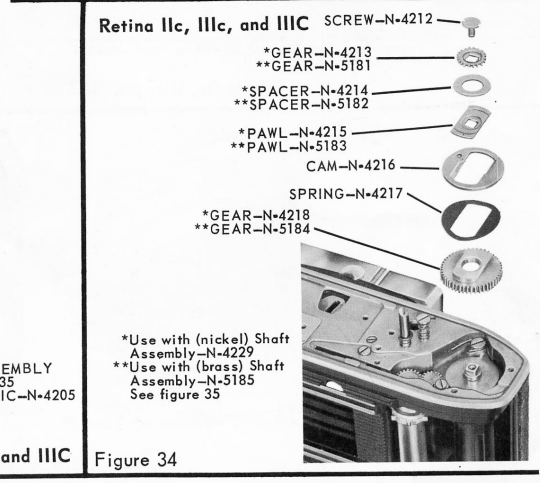
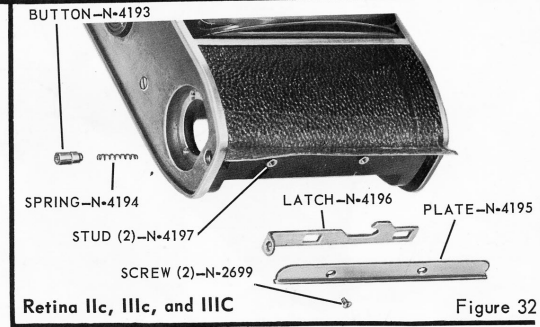
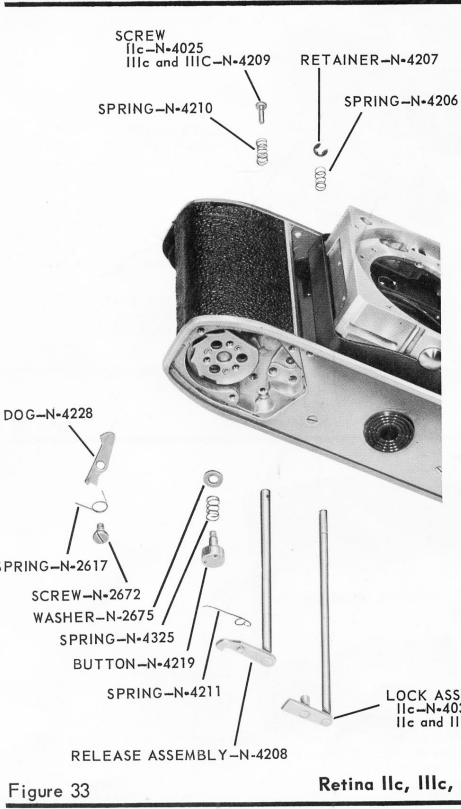
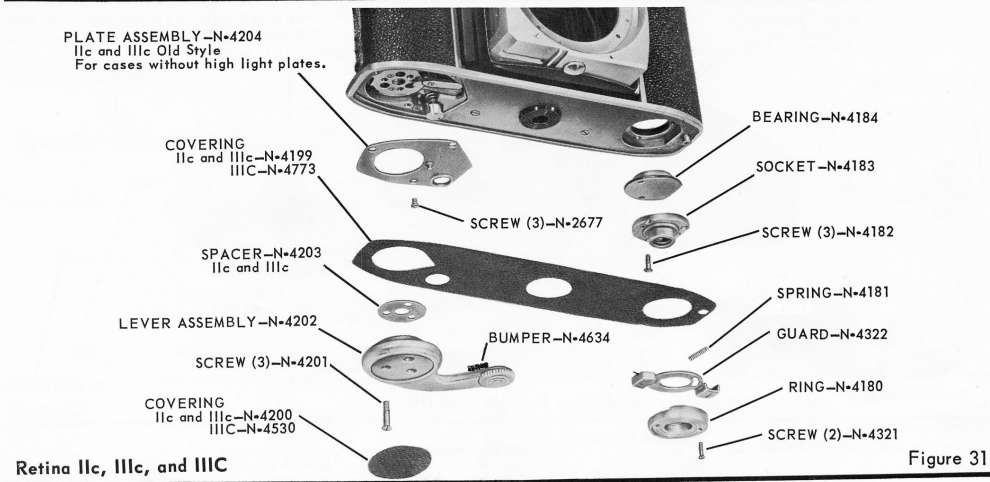
Retina IIc, IIIc, and IIIC

Figure 29

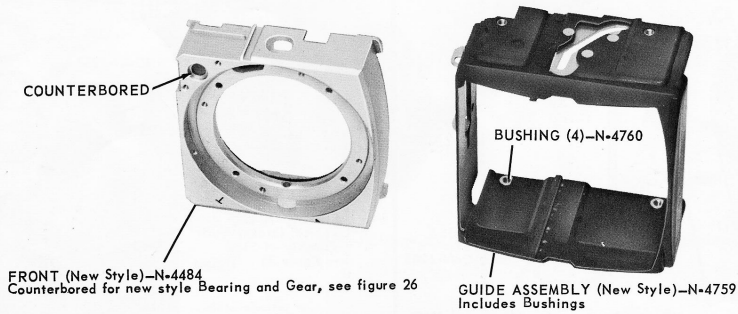
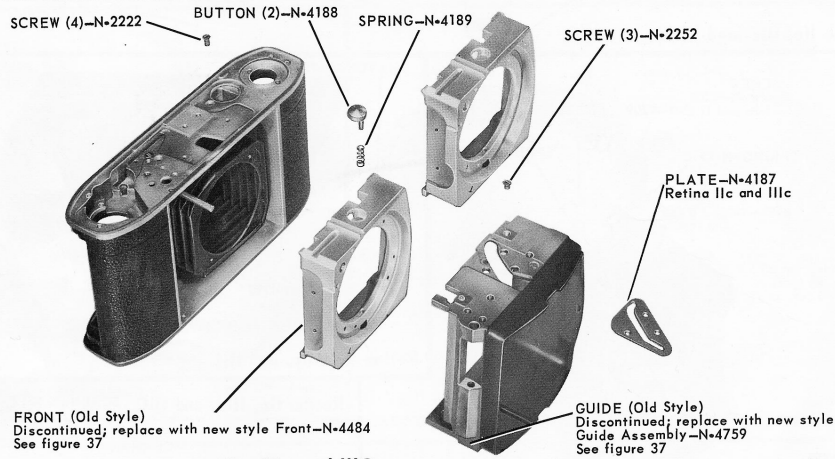
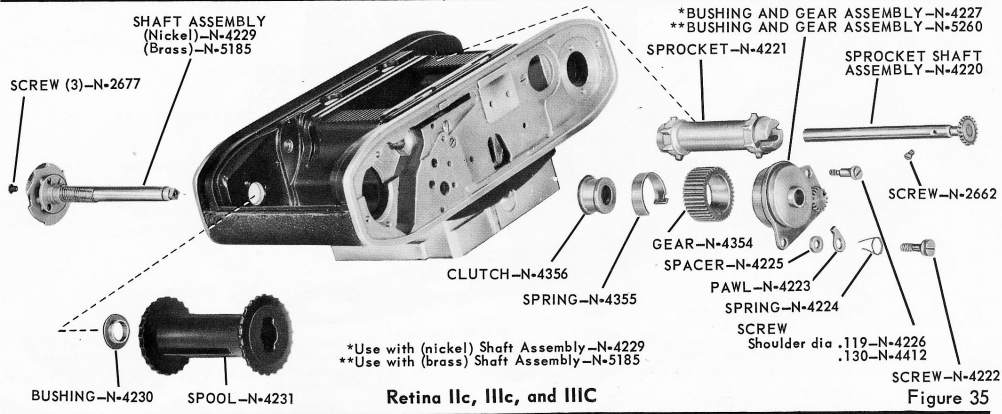


Retina IIc, IIIc, and IIIC

Figure 30



KODAK RETINA IIc, IIIc, and IIIC CAMERAS



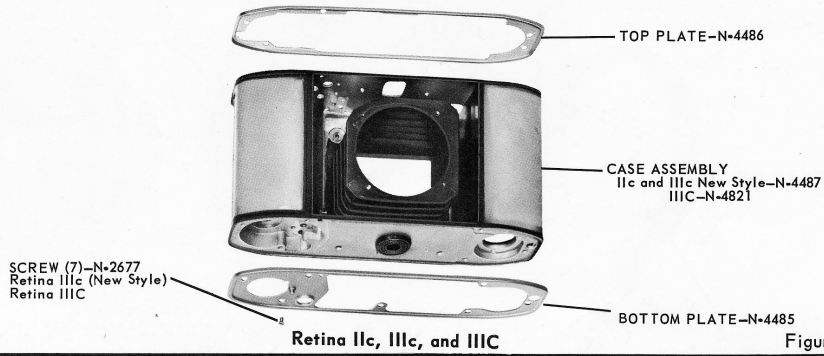


Figure 38

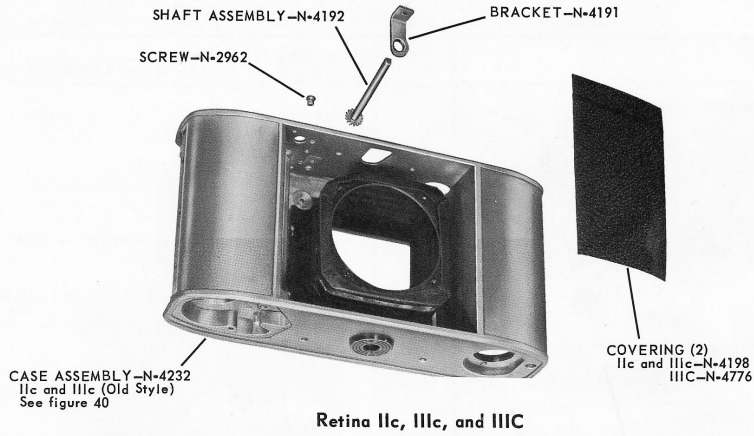


Figure 39

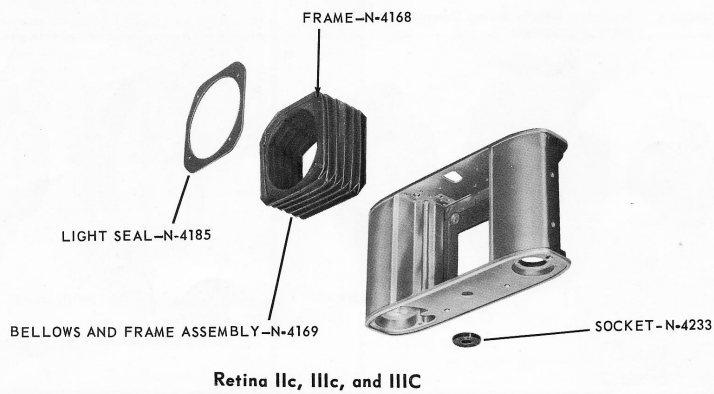


Figure 40

Always give PART NUMBER and NAME when ordering parts

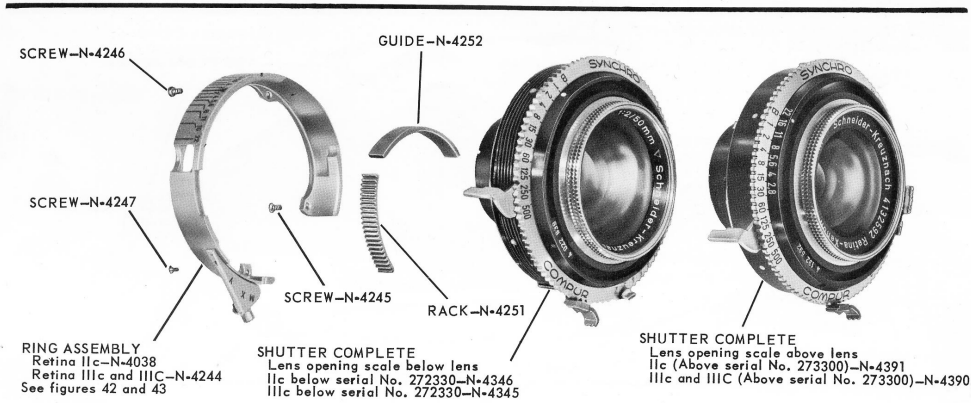


Figure 41

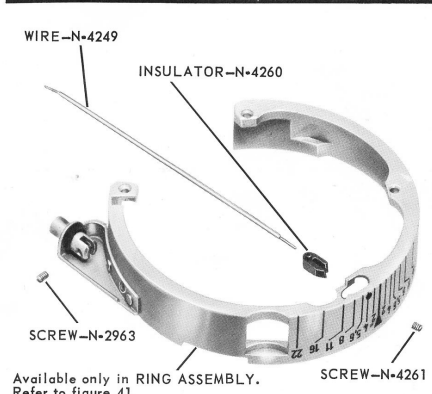


Figure 42

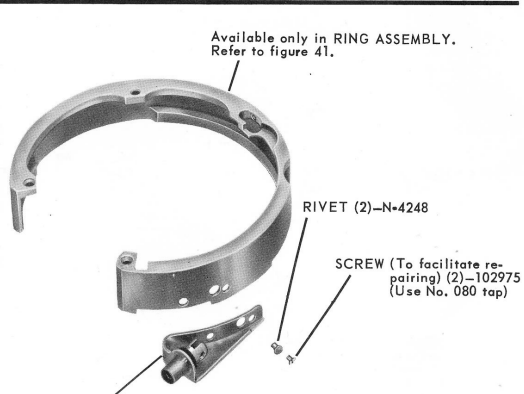


Figure 43

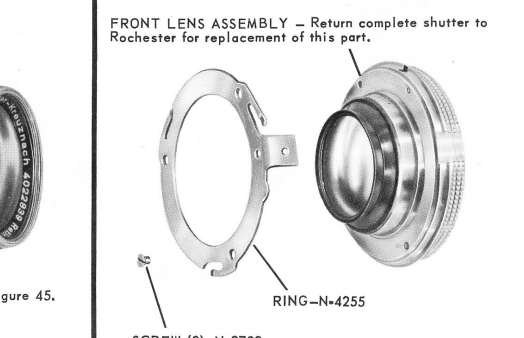
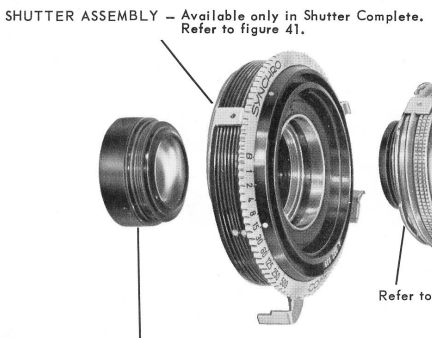


Figure 44

Figure 45

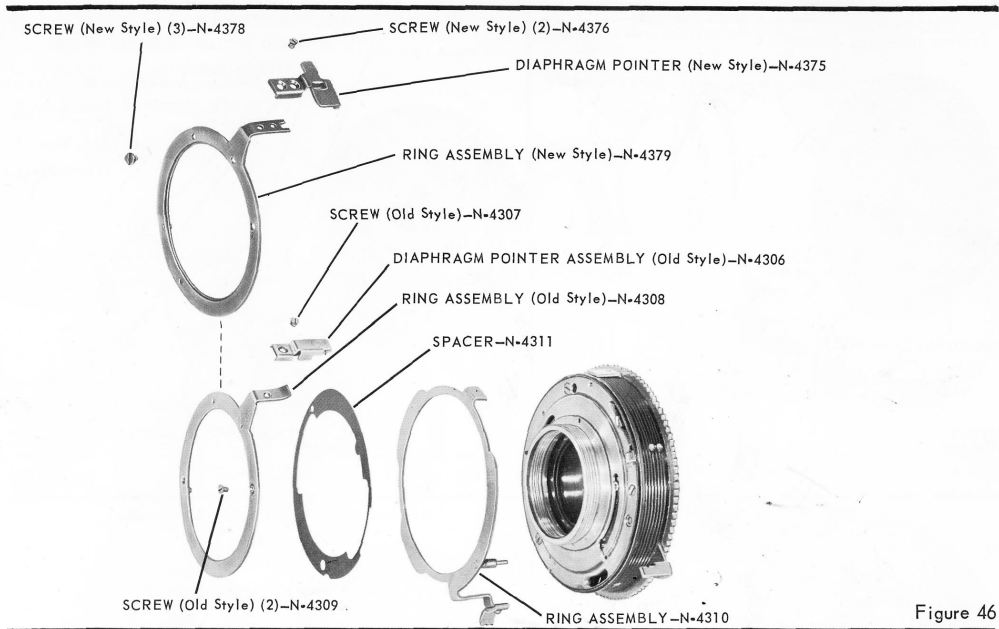


Figure 46

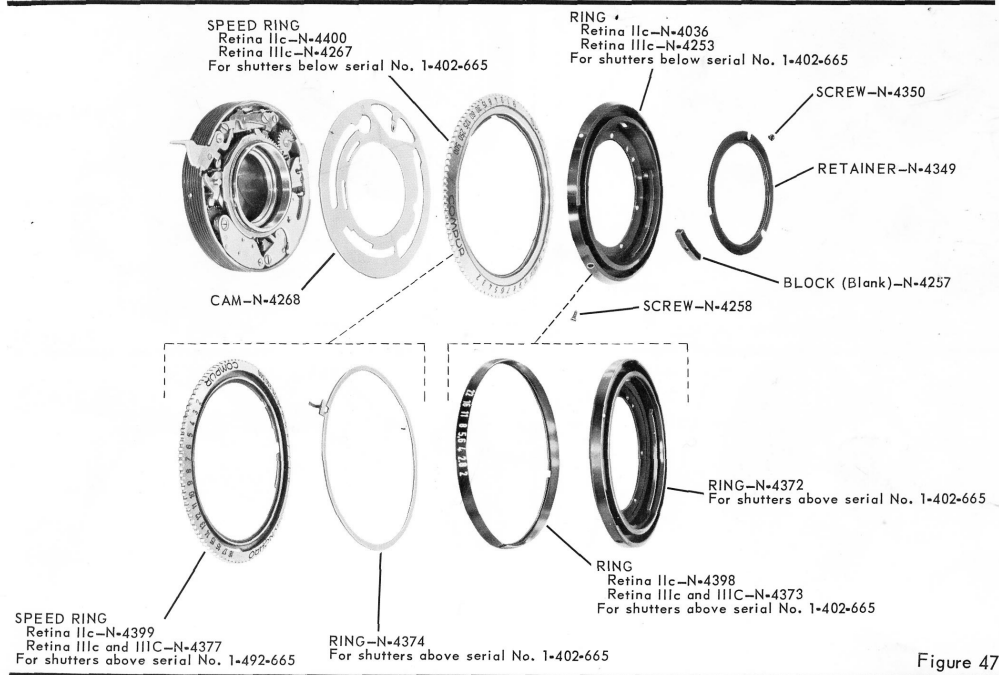


Figure 47

Always give PART NUMBER and NAME when ordering parts

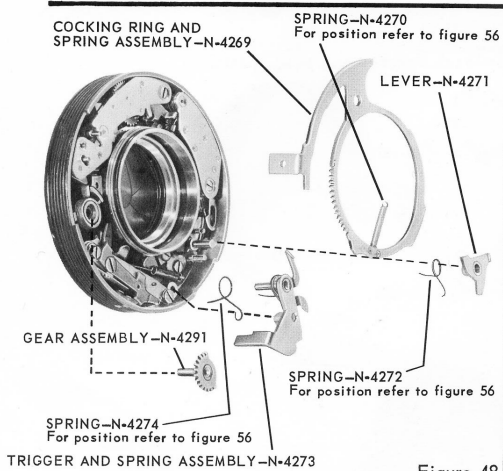


Figure 48

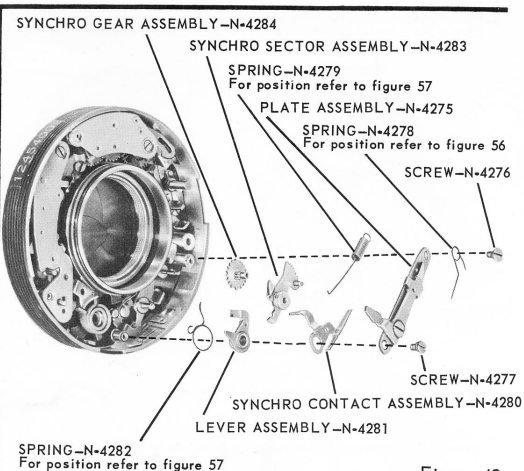


Figure 49

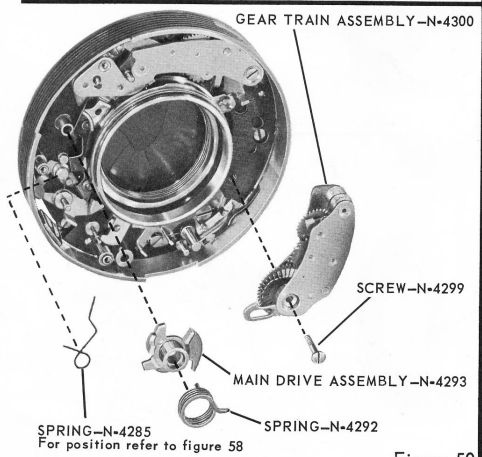


Figure 50

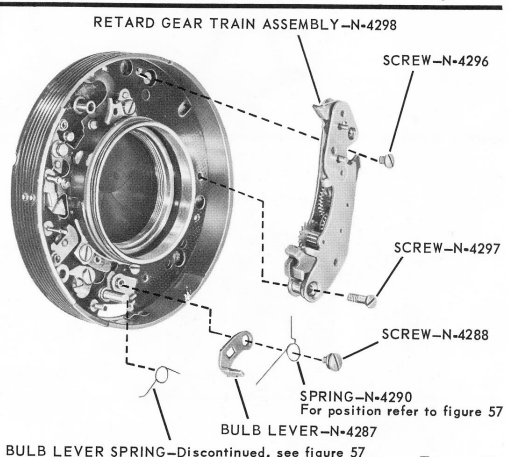


Figure 51

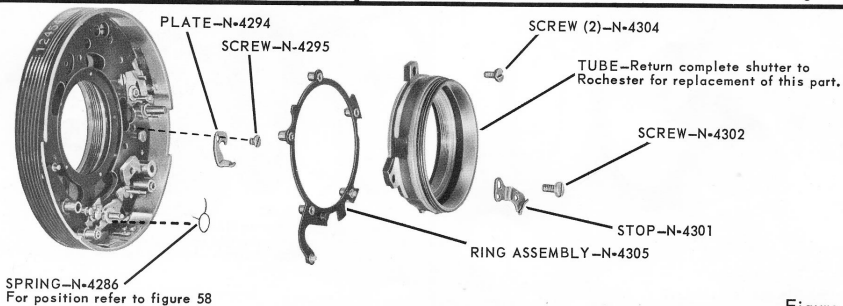


Figure 52

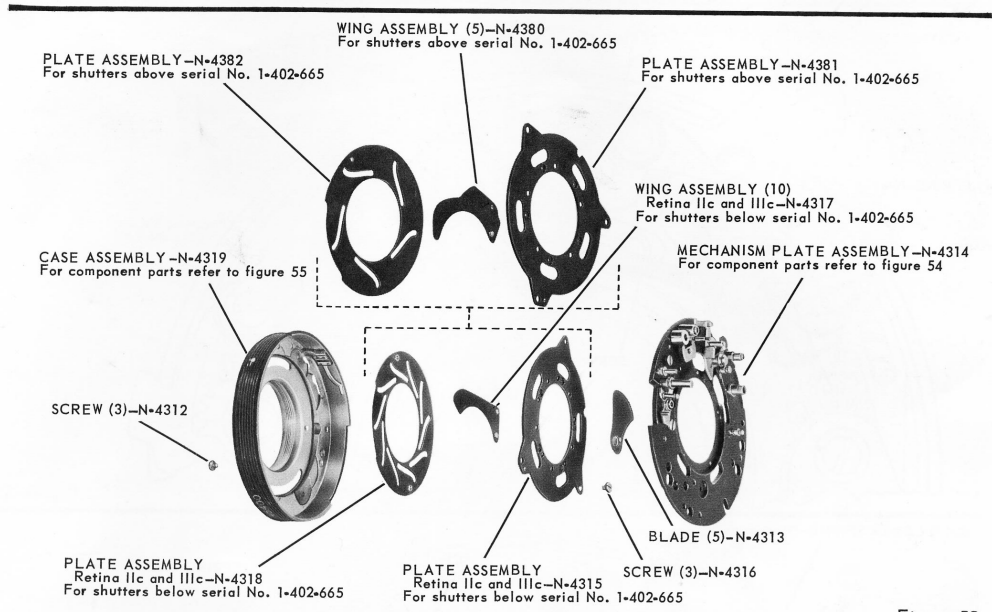


Figure 53

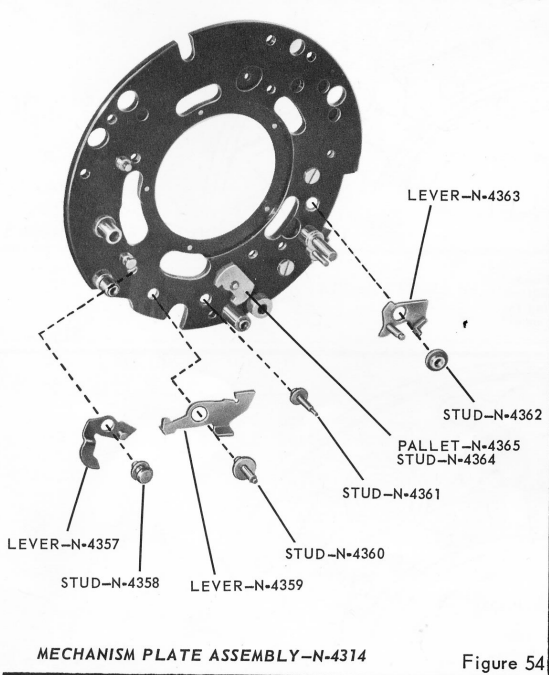


Figure 54

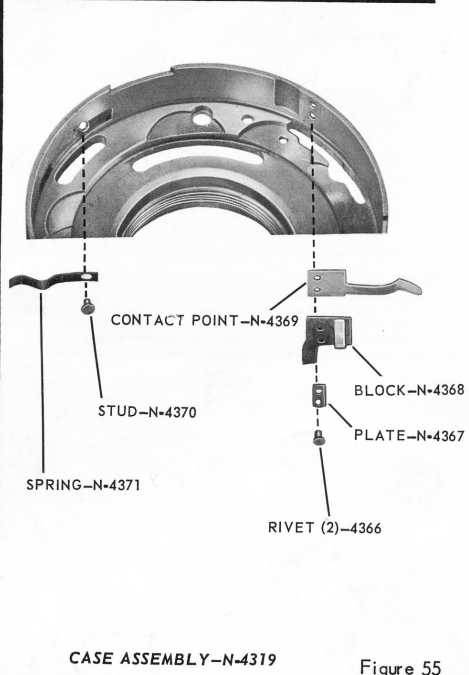


Figure 55

Always give PART NUMBER and NAME when ordering parts

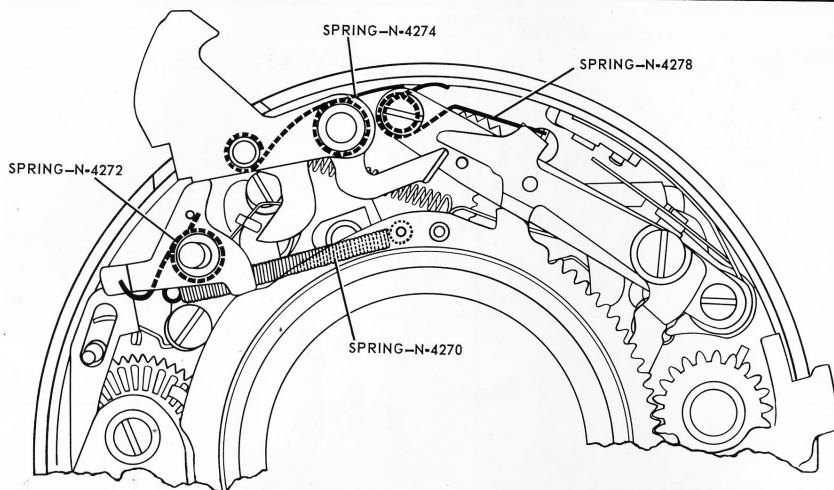
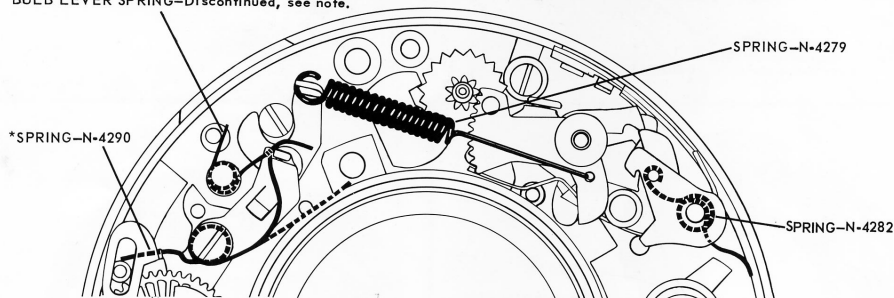


Figure 56

BULB LEVER SPRING—Discontinued, see note.



*The old and new-style Self Timer Springs—N-4290 are positioned as indicated. The long end of the old spring rests against the shutter hub, as shown by broken line. The long end of the new spring is formed to the Control Bulb Lever, as shown by solid line. The new-style spring eliminates the Bulb Lever Spring.

Figure 57

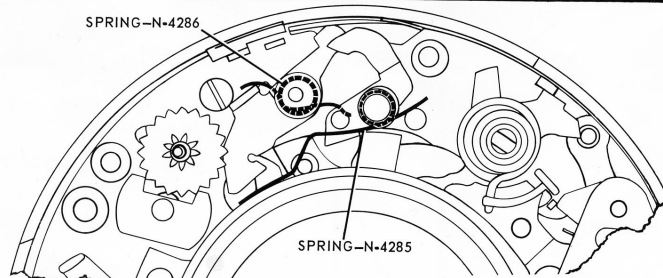
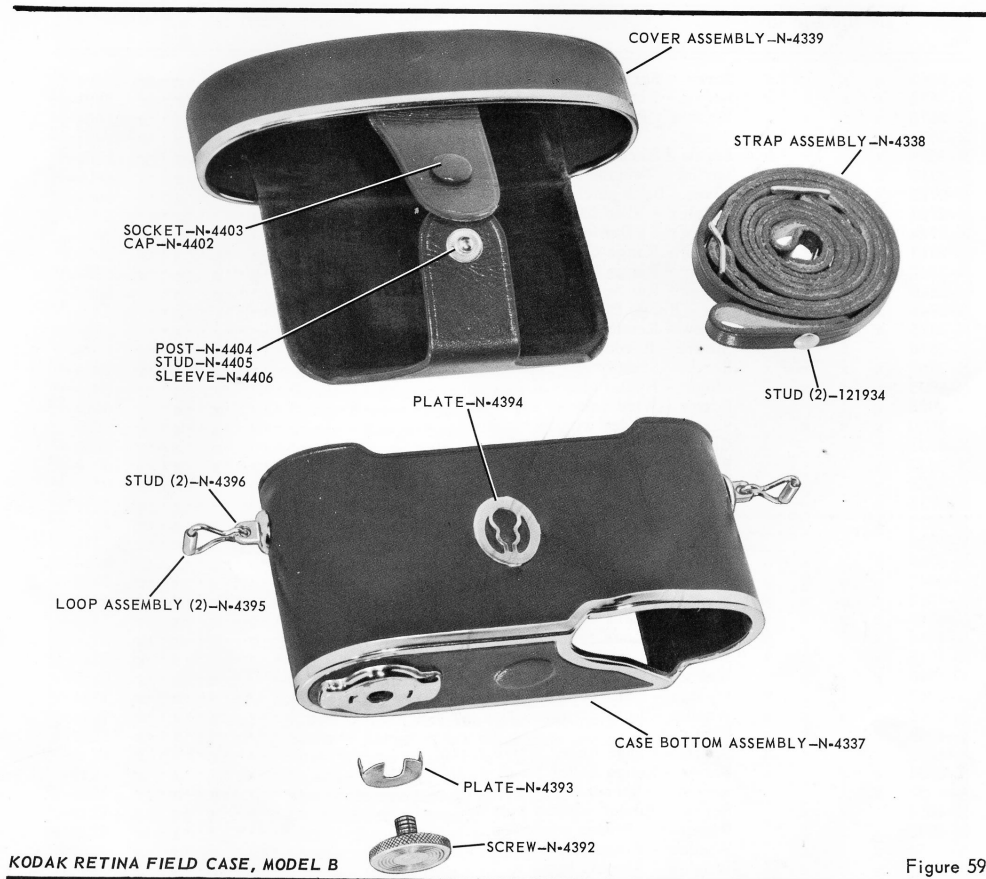


Figure 58

KODAK RETINA IIc, IIIc, and IIIC CAMERAS



KODAK RETINA FIELD CASE, MODEL B

Figure 59

KODAK RETINA IIc, IIIc, and IIIC CAMERAS

Part No.	IIc	IIIc	IIIC	IIIC	Part Name	Fig.
	O.S.	N.S.				
N-2222	x	x	x	x	Screw	14,25,36
N-2252	x	x	x	x	Screw - Actuating arm guide plate	36
N-2410	x	x	x	x	Ring - Rewind post extension retaining	25
N-2423	x	x	x	x	Screw	5,28
N-2426	x	x	x	x	Washer - Range finder movable arm, tension	17,20
N-2434	x	x	x	x	Mask - Prism	15
N-2439	x	x	x	x	Screw - Range finder movable arm, adjusting	18,21
N-2441	x	x	x	x	Screw	18,19
N-2476	x	x	x	x	Pin - Range finder movable arm	17
N-2557	x	x	x	x	Screw - Focus ring knob	27
N-2617	x	x	x	x	Spring - Rewind release dog	33
N-2618	x	x	x	x	Film Tension Pad Assembly	2
N-2640	x	x	x	x	Washer	21,28

Always give PART NUMBER and NAME when ordering parts

KODAK RETINA IIc, IIIc, and IIIC CAMERAS

Part No.	IIc	IIIc	IIIc	IIIC	O.S.	N.S.	Part Name	Fig.
N-2662	x	x	x	x			Screw - Sprocket shaft	35
N-2672	x	x	x	x			Screw - Rewind release dog	33
N-2675	x	x	x	x			Washer - Rewind release, bottom	33
N-2677	x	x	x	x			Screw	1,31,35,38
N-2699	x	x	x	x			Screw - Back latch plate	32
N-2717	x	x	x	x			Spring - Tension pad	2
N-2722	x	x	x	x			Rivet - Back catch	2
N-2723	x	x	x	x			Pointer - Film indicator	3
N-2724	x	x	x	x			Washer - Film indicator pointer, tension	3
N-2813	x	x	x	x			Screw - Range finder actuating plate	26
N-2845	x	x	x				Lever - Range finder adjusting, large	18
N-2846	x	x	x				Lever - Range finder adjusting, small	18
N-2848	x	x	x				Nut - Range finder to actuating arm stud	18
N-2875	x	x	x				Screw - Rewind knob	3
N-2876	x	x	x				Sleeve - Rewind post	3
N-2962	x	x	x	x			Screw - Shutter shaft bracket	39
N-4005	x	x	x				Mount - Eyelet glass	8
N-4025	x						Screw - Wind release adjusting	33
N-4030	x	x	x				Screw - Finder window retainer	7
N-4031	x						Counter Advance Assembly	5
N-4032	x						Range Finder Housing Assembly	4
N-4033	x						Bracket - Carrying strap, right	14
N-4034	x						Plate - Setting rack retaining	25
N-4035	x						Film Advance Lock Assembly	33
N-4039		x					Mask - Incident light	1
N-4040	x	x	x	x			Collar - Shutter retaining	1
N-4041	x	x	x	x			Washer - Lens compensating (.002)	1
N-4042	x	x	x	x			Washer - Lens compensating (.0025)	1
N-4043	x	x	x	x			Washer - Lens compensating (.008)	1
N-4044	x	x	x	x			Washer - Lens compensating (.013)	1
N-4045	x	x	x	x			Washer - Lens compensating (.009)	1
N-4046	x	x	x	x			Washer - Lens compensating (.021)	1
N-4047	x	x	x	x			Washer - Lens compensating (.032)	1
N-4048	x	x	x	x			Washer - Lens compensating (.0315)	1
N-4049	x	x	x	x			Clip	5
N-4051	x	x	x	x			Screw - Range finder housing, top	3
N-4052	x	x	x	x			Screw - Range finder housing, side	3
N-4053	x	x	x				Spring - Exposure	5
N-4054	x	x	x				Screw - Finder window retainer	7
N-4055	x	x	x				Retainer - Finder window	7
N-4056	x	x	x				Window - Finder, small	7
N-4057	x	x	x				Window - Finder, large	7
N-4058	x	x	x				Spacer - Finder window retainer	7
N-4060	x	x	x				Retainer - Finder window	7
N-4061	x	x	x				Plate - Clip reinforcing	8
N-4062	x	x	x	x			Rivet - Clip reinforcing plate	8,10
N-4063	x	x	x				Button - Counter setting	8
N-4064	x	x	x	x			Washer - Counter setting button	8,10
N-4065	x	x	x				Sleeve - Counter setting button	8
N-4067	x	x	x				Counter Advance Assembly	5
N-4070	x	x	x	x			Ratchet - Counter	5
N-4071	x	x	x	x			Dial - Counter	5
N-4072	x	x	x	x			Spring - Counter actuating	6
N-4073	x	x	x	x			Rivet - Counter actuating spring	6
N-4074	x	x	x	x			Screw - Counter advance adjusting bracket	6
N-4075	x	x	x	x			Screw - Exposure counter, adjusting	6
N-4076	x						Screw - Meter scale cam	9
N-4078	x						Meter Dial Assembly	9
N-4079	x						Washer - Meter dial, tension	9
N-4081	x						Film Speed Indicating Dial Assembly	9
N-4082	x						Screw - Film speed indicating, dial	9
N-4083	x						Meter Dial Pointer Assembly	9
N-4084	x						Screw - Meter dial pointer assembly	9
N-4085	x						Spring - Meter dial pointer	9
N-4086	x						Rack - Meter pointer	9

KODAK RETINA IIc, IIIc, and IIIC CAMERAS

Part No.	IIc	IIIc	IIIc	IIIC	Part Name	Fig.
No.	O.S.	N.S.				
N-4087	x	x	x	x	Washer - Counter ratchet, tension	5
N-4088	x	x	x	x	Washer - Counter ratchet, spacing	5
N-4089	x	x	x		Glass - Eyelet	8
N-4091	x	x	x		Washer - Eyelet glass	8
N-4092	x	x	x	x	Bushing - Body release	5
N-4093	x				Window - Meter dial	9
N-4094	x				Retainer - Meter dial cover	9
N-4095	x				Rivet - Meter dial cover retainer	9
N-4096	x				Range Finder Housing Assembly	4,9
N-4097	x	x	x		Button - Body release	3
N-4099	x	x	x	x	Screw	13,14
N-4100	x	x	x		Spring - Exposure meter cover hinge	13
N-4101	x	x	x		Pin - Exposure meter cover hinge	13
N-4102	x	x	x		Cover - Exposure meter	13
N-4103	x	x	x	x	Wind and Counter Release Assembly	14
N-4104	x	x	x	x	Spring - Wind and counter release	14
N-4105	x	x	x		Bracket - Carrying strap, left.	14
N-4106	x	x	x		Range Finder Assembly	14,15
N-4107	x	x	x		Screw - Range finder to case	14
N-4108	x	x	x		Mask - Range finder eyelet.	15
N-4109	x	x	x	x	Screw	15,26
N-4110	x	x	x		Lens - Range finder eyelet.	15
N-4111	x	x	x		Screw - Range finder, halving adjusting	15
N-4112	x	x	x		Range Finder Prism Assembly	15,16
N-4113	x	x	x		Mask - Prism	16
N-4114	x	x	x		Prism - Range finder	16
N-4115	x	x	x		Screw - Range finder prism	16
N-4116	x	x	x		Spring - Range finder movable arm	17
N-4117	x	x	x	x	Screw - Range finder movable arm	17,20
N-4118	x	x	x	x	Bearing - Range finder movable arm	17,20
N-4119	x	x	x		Nut - Range finder movable arm screw.	17
N-4120	x	x	x		Range Finder Lens Assembly	18
N-4121	x	x	x		Screw - Objective lens bracket	18
N-4122	x	x	x		Range Finder Movable Arm Assembly	18
N-4123	x	x	x		Screw - Range finder adjustable lever pivot.	18
N-4124	x	x	x		Stud - Range finder to actuating arm	18
N-4125	x	x	x		Bracket - Finder lens retaining bracket	19
N-4126	x	x	x		Mask - Range finder, parallax.	19
N-4127	x	x	x		Lens - Finder, front	19
N-4128	x	x	x		Mask - Range finder front lens	19
N-4129	x	x	x		Frame - Front finder mirror	19
N-4130	x	x	x		Spring - Range finder lens, tension	19
N-4131	x	x	x		Guard - Transparent mirror.	15
N-4132	x	x	x		Spring - Transparent mirror, retaining	15
N-4133	x	x	x		Mirror - Transparent	15
N-4134	x	x	x		Range Finder Body Assembly	19
N-4135	x	x	x		Mask - Finder dividing	19
N-4137	x	x	x	x	Post - Rewind	25
N-4138	x	x	x	x	Extension - Rewind post.	25
N-4139	x	x	x		Bracket - Carrying strap, right.	14
N-4140	x	x	x	x	Screw - Bed hinge.	28
N-4141	x	x	x		Bed and Arms Assembled.	28
N-4142	x	x	x	x	Button - Bed latch.	29
N-4143	x	x	x	x	Pin - Bed latch.	29
N-4144	x	x	x	x	Spring - Bed latch.	29
N-4145	x	x	x		Covering - Bed, front	29
N-4146	x	x	x		Covering - Bed, side.	29
N-4147	x	x	x	x	Arm - Bed, top.	28
N-4148	x	x	x	x	Arm - Bed, bottom	28
N-4150	x				Spacer - Body release push rod.	30
N-4152	x	x	x	x	Washer - Body release push rod, spacing	30
N-4153	x	x	x	x	Sleeve - Body release trip	30
N-4154	x	x	x	x	Spring - Body release trip sleeve	30
N-4155	x	x	x	x	Stud - Range finder actuating arm	26
N-4156	x	x	x	x	Range Finder Actuating Plate Assembly	26

Always give PART NUMBER and NAME when ordering parts

KODAK RETINA IIc, IIIc, and IIIC CAMERAS

Part No.	IIc	IIIc	IIIc	IIIC	Part Name	Fig.
	O.S. N.S.					
N-4158	x	x	x	x	Ring - Focus	27
N-4159	x	x	x	x	Knob - Focus ring.	27
N-4160	x	x	x	x	Scale - Focus,	27
N-4161	x	x	x	x	Scale - Focus, (For Longar and Curtar Lens Components).	27
N-4162	x	x	x	x	Screw - Focus scale retaining.	27
N-4163	x	x	x	x	Cover - Shutter setting gear (Old style)	26
N-4164	x	x	x	x	Screw - Shutter setting gear	26
N-4166	x	x	x	x	Bearing - Shutter setting gear.	26
N-4167	x	x	x	x	Screw - Front bellows frame	28
N-4168	x	x	x	x	Frame - Front bellows	40
N-4169	x	x	x	x	Bellows and Frame Assembly	40
N-4170	x	x	x	x	Screw - Focus barrel to front	28
N-4171	x	x	x	x	Focus Barrel Assembly	28
N-4172	x	x			Arm - Shutter trip	30
N-4173	x	x	x	x	Screw - Shutter trip arm, large.	30
N-4174	x	x	x	x	Screw.	20,30
N-4175	x	x	x	x	Plate - Shutter trip arm.	30
N-4176	x	x	x	x	Guide - Wind and counter release	25
N-4177		x	x	x	Plate - Setting rack, retaining.	25
N-4178	x	x	x	x	Screw.	13,25
N-4179	x	x	x	x	Rack - Setting	25
N-4180	x	x	x	x	Ring - Tripod socket, outer	31
N-4181	x	x	x	x	Spring - Back latch button guard	31
N-4182	x	x	x	x	Screw - Tripod socket	31
N-4183	x	x	x	x	Socket - Tripod	31
N-4184	x	x	x	x	Bearing - Cassette	31
N-4185	x	x	x	x	Seal - Light	40
N-4187	x	x	x	x	Plate - Actuating arm guide	36
N-4188	x	x	x	x	Button - Front release.	36
N-4189	x	x	x	x	Spring - Front release button	36
N-4191	x	x	x	x	Bracket - Shutter setting gear and shaft assembly	39
N-4192	x	x	x	x	Shutter Setting Gear and Shaft Assembly	39
N-4193	x	x	x	x	Button - Back latch.	32
N-4194	x	x	x	x	Spring - Back latch button	32
N-4195	x	x	x	x	Plate - Back latch.	32
N-4196	x	x	x	x	Latch - Back	32
N-4197	x	x	x	x	Stud - Back latch guide	32
N-4198	x	x	x		Covering - Case, end.	39
N-4199	x	x	x		Covering - Case, bottom	31
N-4200	x	x	x		Covering - Winding lever.	31
N-4201	x	x	x	x	Screw - Winding lever	31
N-4202	x	x	x	x	Winding Lever Assembly	31
N-4203	x	x	x		Spacer - Winding lever	31
N-4204	x	x			Bottom Mechanism Cover Plate Assembly.	31
N-4205	x	x	x	x	Film Advance Lock Assembly.	33
N-4206	x	x	x	x	Spring - Film advance lock assembly.	33
N-4207	x	x	x	x	Retainer - Film advance lock spring	33
N-4208	x	x	x	x	Wind Release Assembly.	33
N-4209	x	x	x	x	Screw - Wind release adjusting.	33
N-4210	x	x	x	x	Spring - Wind release	33
N-4211	x	x	x	x	Spring - Wind release throw-out	33
N-4212	x	x	x	x	Screw - Drive mechanism to wind shaft	34
N-4213	x	x	x	x	Gear - Winding shaft	34
N-4214	x	x	x	x	Spacer - Winding shaft pinion	34
N-4215	x	x	x	x	Pawl - Winding shaft	34
N-4216	x	x	x	x	Cam - Winding shaft	34
N-4217	x	x	x	x	Spring - Wind shaft cam, tension.	34
N-4218	x	x	x	x	Gear - Film advance drive	34
N-4219	x	x	x	x	Button - Rewind release.	33
N-4220	x	x	x	x	Sprocket Shaft Assembly	35
N-4221	x	x	x	x	Sprocket	35
N-4222	x	x	x	x	Screw - Drive gear pawl	35
N-4223	x	x	x	x	Pawl - Drive gear.	35
N-4224	x	x	x	x	Spring - Drive gear pawl	35
N-4225	x	x	x	x	Spacer - Drive gear pawl.	35

KODAK RETINA IIc, IIIc, and IIIC CAMERAS

Part No.	IIc	IIIc	IIIc O.S.	IIIC N.S.	Part Name	Fig.
N-4226	x	x	x	x	Screw - Setting rack guide (Shoulder dia. 119)	35
N-4227	x	x	x	x	Bushing and Gear Assembly	35
N-4228	x	x	x	x	Dog - Rewind release	33
N-4229	x	x	x	x	Winding Shaft Assembly (Nickel)	35
N-4230	x	x	x	x	Bushing - Take-up spool	35
N-4231	x	x	x	x	Spool - Take-up	35
N-4232	x	x			Case Assembly	39
N-4233	x	x	x	x	Socket - Flashholder positioning	40
N-4234	x	x	x		Back Assembly	1,2
N-4235	x	x	x	x	Rivet - Hinge to back	2
N-4236	x	x	x	x	Back Hinge Assembly	2
N-4237	x	x	x		Covering - Back	2
N-4238	x	x	x	x	Catch - Back	2
N-4239	x	x	x	x	Rivet - Film tension pad spring	2
N-4240	x	x	x		Bracket - Film roller	2
N-4241	x	x	x		Rivet - Film roller bracket	2
N-4242	x	x	x	x	Spacer - Back retaining plate	25
N-4243	x				Exposure Meter Assembly	4A
N-4321	x	x	x	x	Screw - Tripod socket outer ring	31
N-4322	x	x	x	x	Guard - Back latch button	31
N-4323	x	x	x		Mask - Finder, rear	19
N-4324	x	x	x		Frame - Rear finder mirror	19
N-4325	x	x	x	x	Spring - Rewind release button	33
N-4353	x				Glass - Meter	4A
N-4354	x	x	x	x	Gear - Clutch	35
N-4355	x	x	x	x	Spring - Clutch, pressure	35
N-4356	x	x	x	x	Clutch	35
N-4383				x	Shutter Trip Arm Assembly	30
N-4384				x	Spring - Shutter trip arm	30
N-4385				x	Screw - Shutter trip arm spring	30
N-4412	x	x	x	x	Screw - Setting rack guide (Shoulder dia. 130)	35
N-4466	x	x	x	x	Bearing - Counter	5
N-4467	x				Counter Dial and Cam Assembly	9
N-4476	x	x			Rewind Knob Assembly	3
N-4483	x	x	x	x	Gear - Shutter setting, new style	26
N-4484	x	x	x	x	Front - New style	36,37
N-4485	x	x	x	x	Plate - Bottom	38
N-4486	x	x	x	x	Plate - Top	38
N-4487	x				Case Assembly	38
N-4492	x	x	x	x	Cover - Shutter setting gear, new style	26
N-4503				x	O.S. Meter Assembly	4A
N-4512				x	Sleeve - Rewind post	3
N-4528				x	Screw - Film dial	11
N-4530				x	Covering - Winding lever	31
N-4547	x	x	x	x	Pin - Back hinge	2
N-4548				x	Retainer - Range finder housing window	10
N-4554				x	Mask - Eyelet glass	10
N-4560				x	Washer - Film dial screw	11
N-4580	x	x	x	x	Spring - New style bearing	25
N-4611				x	Bracket - Carrying strap, left	14
N-4613	x	x	x	x	Plate - Back	2
N-4615				x	Washer - Film scale, tension	11
N-4617				x	Screw - Meter guide	12
N-4634	x	x	x	x	Bumper - Winding lever	31
N-4645				x	Scale - Film	11
N-4646				x	Dial - Film	11
N-4656				x	Mask - Incident light	1
N-4659				x	Window - Range finder housing	10
N-4662				x	Dial - Film	11
N-4734				x	Bracket - Carrying strap, right	14
N-4735				x	Range Finder Housing Assembly	4
N-4743				x	Screw - Rewind knob	3
N-4744	x	x	x	x	Push Rod Assembly	30
N-4759	x	x	x	x	Front Guide Assembly (New style)	36,37
N-4760	x	x	x	x	Bushing - Front guide	37

Always give PART NUMBER and NAME when ordering parts

KODAK RETINA IIc, IIIc, and IIIC CAMERAS

Part No.	IIc	IIIc	IIIc	IIIC	O.S.	N.S.	Part Name	Fig.
N-4773				x			Covering - Case, bottom	31
N-4776				x			Covering - Case, end	39
N-4777				x			Covering - Bed, front	29
N-4778				x			Covering - Bed, end	29
N-4779				x			Covering - Back	2
N-4781				x			Range Finder Housing Assembly	4,10,11
N-4782				x			Spring - Film counter advance	5,10
N-4783				x			Film Counter Advance Assembly	5
N-4784				x			Mount - Eyelet lens	10
N-4785				x			Glass - Eyelet	10
N-4787				x			Window - Range finder housing	10
N-4788				x			Plate - Range finder window, retaining	10
N-4789				x			Plate - Clip reinforcing	10
N-4792	x	x	x	x			Bearing - Rewind post, new style	25
N-4793	x	x	x	x			Rewind Post Assembly	25
N-4796				x			Range Finder Assembly	14,20
N-4797				x			Mirror - Range finder	23
N-4798				x			Plate - Range finder mirror	23
N-4799				x			Spring - Range finder	20
N-4801				x			Lever - Range finder	21
N-4803				x			Stud - Range finder	21
N-4804				x			Nut - Range finder	21
N-4806				x			Range Finder Arm Assembly	21
N-4809				x			Range Finder Lens and Arm Assembly	20,20A
N-4813				x			Range Finder Mask Assembly	23
N-4814				x			Range Finder Tube and Lens Assembly	24
N-4815				x			Lens - Range finder	24
N-4818				x			Retainer - Range finder lens	22
N-4820				x			Body - Range finder	24
N-4821				x			Case Assembly	38
N-4822				x			Back Assembly	1,2
N-4823				x			Bed and Arms Assembled	28
N-4824				x			Button - Body release	3
N-4860				x			Rewind Knob Assembly	3
N-4880		x	x	x			Glass - Meter	4A
N-4882				x			Pad - Range finder housing	10
N-4883				x			N.S. Meter Assembly	4A
N-4885				x			Guide - Body release (New style)	12
N-4893				x			Rivet	10
N-4919				x			Button - Counter setting	10
N-4920				x			Sleeve - Counter setting button	10,20A
N-4921	x	x	x	x			Roller - Film	2
N-4928				x			Screw - Range finder to case	14
N-4929				x			Range Finder Lens Assembly	20A
N-4937				x			Screw - Range finder lens frame	20A
N-4942				x			Plate - Beam splitter retaining	22
N-4943				x			Beam Splitter - Range finder	22
N-4945				x			Screw	22,23
N-4956				x			Lens - Range finder	22
N-4958				x			Screw	21,22,24
N-4960				x			Washer	21,23
N-5181	x	x	x	x			Gear - Winding shaft	34
N-5182	x	x	x	x			Spacer - Winding shaft pinion	34
N-5183	x	x	x	x			Pawl - Winding shaft	34
N-5184	x	x	x	x			Gear - Film advance drive	34
N-5185	x	x	x	x			Winding Shaft Assembly	35
N-5260	x	x	x	x			Bushing and Gear Assembly	35
N-5352				x			Plate - Adjusting (.012)	23
N-5353				x			Plate - Adjusting (.002)	23
N-5354				x			Plate - Adjusting (.004)	23
N-5533				x	x		Strip - Back	2
SYNCHRO COMPUR SHUTTER FOR RETINA IIc, IIIc, IIIC CAMERAS								
N-2739	x	x	x	x			Screw - Lens lock ring to front lens assembly	45

SYNCHRO COMPUR SHUTTER FOR RETINA IIc, IIIc, IIIC CAMERAS

Part No.	IIc	IIIc	IIIC	IIIc	Part Name	Fig.
	O.S.	N.S.				
N-2963	x	x	x	x	Screw - Terminal wire to flash terminal assembly	42
N-4036	x				Ring - Mounting (For shutters below serial No. 1-402-665)	47
N-4038	x				Ring Assembly	41
N-4244		x	x	x	Ring Assembly	41
N-4245	x	x	x	x	Screw - Ring assembly to shutter case	41
N-4246	x	x	x	x	Screw - Shutter locating	41
N-4247	x	x	x	x	Screw - Ring assembly to shutter case	41
N-4248	x	x	x	x	Rivet - Flash terminal assembly to ring	43
N-4249	x	x	x	x	Wire - Terminal	42
N-4251	x	x	x	x	Rack - Setting	41
N-4252	x	x	x	x	Guide	41
N-4253	x	x	x		Ring - Shutter Mounting (For shutters below serial No. 1-402-665).	47
N-4255	x	x	x	x	Ring - Lens lock	45
N-4257	x	x	x	x	Block - Lens serial number (blank)	47
N-4258	x	x	x	x	Screw - Lens serial number block	47
N-4260	x	x	x	x	Insulator	42
N-4261	x	x	x	x	Screw - Insulator to ring	42
N-4267		x	x		Ring - Speed (For shutters below serial No. 1-402-665).	47
N-4268	x	x	x	x	Cam - Speed	47
N-4269	x	x	x	x	Cocking Ring and Spring Assembly	48
N-4270	x	x	x	x	Spring - Cocking ring	48
N-4271	x	x	x	x	Lever - DEP and timer lock	48
N-4272	x	x	x	x	Spring - DEP and timer lock lever	48
N-4273	x	x	x	x	Trigger and Spring Assembly	48
N-4274	x	x	x	x	Spring - Trigger	48
N-4275	x	x	x	x	Synchro Cover Plate Assembly	49
N-4276	x	x	x	x	Screw - Synchro cover plate, lower	49
N-4277	x	x	x	x	Screw - Synchro cover plate, upper	49
N-4278	x	x	x	x	Spring - Main drive lock	49
N-4279	x	x	x	x	Spring - Synchro gear	49
N-4280	x	x	x	x	Synchro Contact Assembly	49
N-4281	x	x	x	x	Synchronizing Lever Assembly	49
N-4282	x	x	x	x	Spring - Synchronizing lever	49
N-4283	x	x	x	x	Synchro Sector Assembly	49
N-4284	x	x	x	x	Synchro Gear Assembly	49
N-4285	x	x	x	x	Spring - Blade controller check	50
N-4286	x	x	x	x	Spring - Synchro lock	52
N-4287	x	x	x	x	Lever - Bulb	51
N-4288	x	x	x	x	Screw - Bulb lever	51
N-4290	x	x	x	x	Spring - Self timer	51
N-4291	x	x	x	x	Cocking Ring Gear Assembly	48
N-4292	x	x	x	x	Spring - Main drive	50
N-4293	x	x	x	x	Main Drive Assembly	50
N-4294	x	x	x	x	Plate - Synchro gear spring anchor	52
N-4295	x	x	x	x	Screw - Synchro gear spring anchor plate	52
N-4296	x	x	x	x	Screw - Retard gear train, short	51
N-4297	x	x	x	x	Screw - Retard gear train, long	51
N-4298	x	x	x	x	Retard Gear Train Assembly	51
N-4299	x	x	x	x	Screw - Self-timer gear train	50
N-4300	x	x	x	x	Self-timer Gear Train Assembly	50
N-4301	x	x	x	x	Stop - Main drive gear	52
N-4302	x	x	x	x	Screw - Main drive gear stop	52
N-4304	x	x	x	x	Screw - Shutter front tube	52
N-4305	x	x	x	x	Blade Controller Ring Assembly	52
N-4306	x	x	x	x	Diaphragm Pointer Assembly (old style)	46
N-4307	x	x	x	x	Screw - Diaphragm pointer (old style)	46
N-4308	x	x	x	x	Diaphragm Control Ring Assembly (old style)	46
N-4309	x	x	x	x	Screw - Diaphragm control ring assembly (old style)	46
N-4310	x	x	x	x	Synchro Selector Ring Assembly	46
N-4311	x	x	x	x	Spacer - Diaphragm control ring	46
N-4312	x	x	x	x	Screw - Case	53
N-4313	x	x	x	x	Blade - Shutter	53
N-4314	x	x	x	x	Mechanism Plate Assembly	53
N-4315	x	x	x		Diaphragm Retainer Plate Assembly (For shutters below serial No. 1-402-665)	53

Always give PART NUMBER and NAME when ordering parts

SYNCHRO COMPUR SHUTTER FOR RETINA IIc, IIIc, IIIC CAMERAS

Part No.	IIc	IIIc	IIIc	IIIC	Part Name	Fig.
	O.S.	N.S.				
N-4316	x	x	x	x	Screw - Diaphragm retainer plate	53
N-4317	x	x	x		Diaphragm Wing Assembly (For shutters below serial No. 1-402-665)	53
N-4318	x	x	x		Diaphragm Control Plate Assembly (For shutters below serial No. 1-402-665)	53
N-4319	x	x	x	x	Case Assembly	53
N-4320	x	x	x	x	Flash Terminal Assembly	43
N-4345		x	x		Shutter Complete (Lens opening scale below lens) for Cameras below Serial No. 272330	41
N-4346	x				Shutter Complete (Lens opening scale below lens) for Cameras below Serial No. 272330	41
N-4349	x	x	x	x	Retainer - Front lens mount	47
N-4350	x	x	x	x	Screw - Front lens mount	47
N-4357	x	x	x	x	Lever - Synchro lock	54
N-4358	x	x	x	x	Stud - Synchro lever	54
N-4359	x	x	x	x	Lever - Synchro	54
N-4360	x	x	x	x	Stud - Synchro lever	54
N-4361	x	x	x	x	Stud - Synchro gear	54
N-4362	x	x	x	x	Stud - Time release lever	54
N-4363	x	x	x	x	Lever - Time release	54
N-4364	x	x	x	x	Stud - Pallet	54
N-4365	x	x	x	x	Pallet	54
N-4366	x	x	x	x	Rivet - Contact plate	55
N-4367	x	x	x	x	Plate - Contact	55
N-4368	x	x	x	x	Block - Contact	55
N-4369	x	x	x	x	Point - Contact	55
N-4370	x	x	x	x	Stud - Synchro selector tension spring	55
N-4371	x	x	x	x	Spring - Synchro selector tension	55
N-4372	x	x	x	x	Ring - Mounting (For shutters above serial No. 1-402-665)	47
N-4373	x	x	x	x	Ring - Diaphragm index (For shutters above serial No. 1-402-665)	47
N-4374	x	x	x	x	Ring - Diaphragm (For shutters above serial No. 1-402-665)	47
N-4375	x	x	x	x	Pointer - Diaphragm (new style)	46
N-4376	x	x	x	x	Screw - Diaphragm pointer (new style)	46
N-4377	x	x	x	x	Ring - Speed (For shutters above serial No. 1-402-665)	47
N-4378	x	x	x	x	Screw - Diaphragm control ring (new style)	46
N-4379	x	x	x	x	Diaphragm Control Ring Assembly (new style)	46
N-4380	x	x	x	x	Wing Assembly (For shutters above serial No. 1-402-665)	53
N-4381	x	x	x	x	Diaphragm Plate Assembly (For shutters above serial No. 1-402-665)	53
N-4382	x	x	x	x	Diaphragm Control Plate Assembly (For shutters above serial No. 1-402-665)	53
N-4390		x	x	x	Shutter Complete (Lens opening scale above lens) for Cameras above Serial No. 272330	41
N-4391	x				Shutter Complete (Lens opening scale above lens) for Cameras above Serial No. 273300	41
N-4398	x				Ring - Diaphragm index (For shutters above serial No. 1-402-665)	47
N-4399	x				Ring - Speed (For shutters above serial No. 1-402-665)	47
N-4400	x				Ring - Speed (For shutters below serial No. 1-402-665)	47
102975	x	x	x	x	Screw - Flash terminal assembly to ring (To facilitate repairing, use No. 080 tap)	43

KODAK RETINA FIELD CASE, Model B, for Kodak Retina IIc, IIIc, and IIIC CAMERAS

Part No.	Part Name	Fig.	Part No.	Part Name	Fig.
N-4337	Case Bottom Assembly	59	N-4396	Stud - Loop	59
N-4338	Shoulder Strap Assembly	59	N-4402	Cap - Snap button	59
N-4339	Cover Assembly	59	N-4403	Socket - Snap button cap	59
N-4392	Screw - Camera retaining	59	N-4404	Post - Snap button	59
N-4393	Plate - Camera retaining screw	59	N-4405	Stud - Snap button post	59
N-4394	Plate - Snap button stud catch	59	N-4406	Sleeve - Snap button post stud	59
N-4395	Loop Assembly	59	121934	Stud - Shoulder strap	59

Always give PART NUMBER and NAME when ordering parts

EASTMAN KODAK COMPANY • ROCHESTER 4, NEW YORK