

Corrected to October 1962

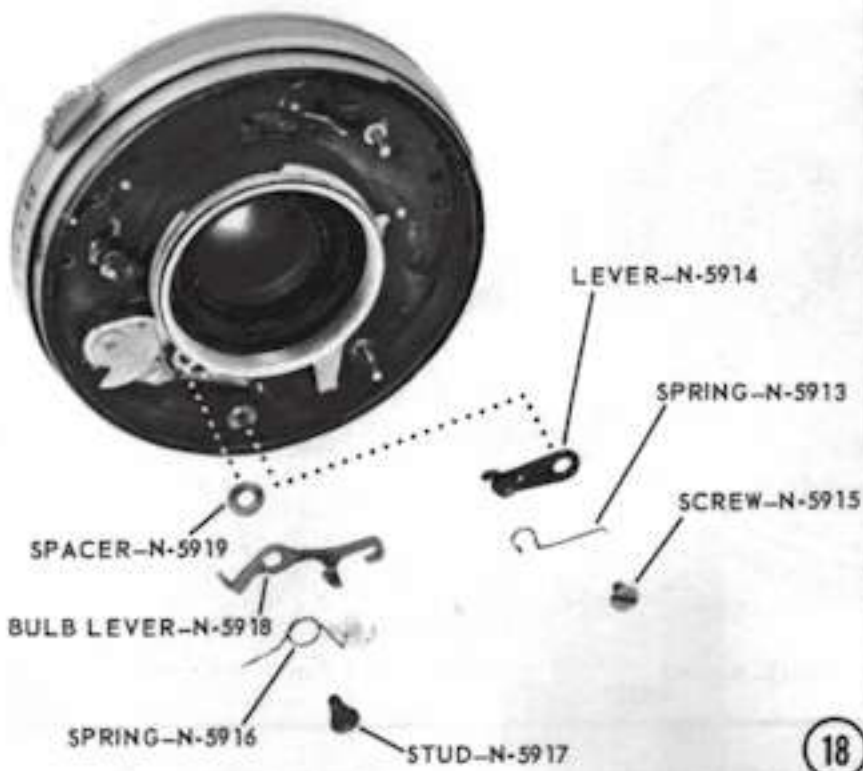
Parts List No. 5546

# KODAK RETINETTE 1A CAMERA and FIELD CASE

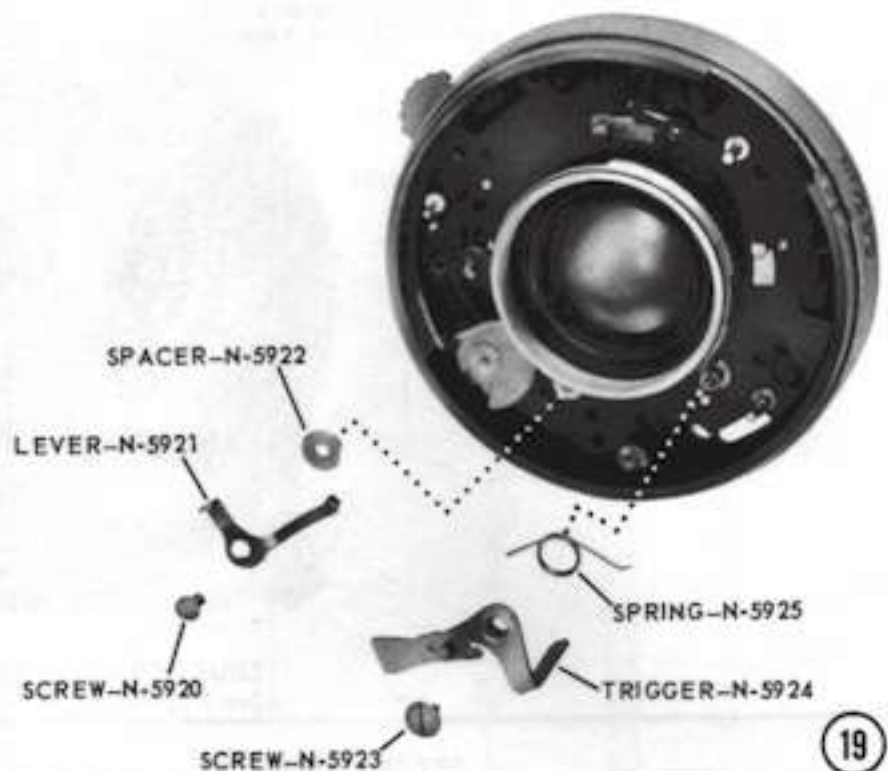
---



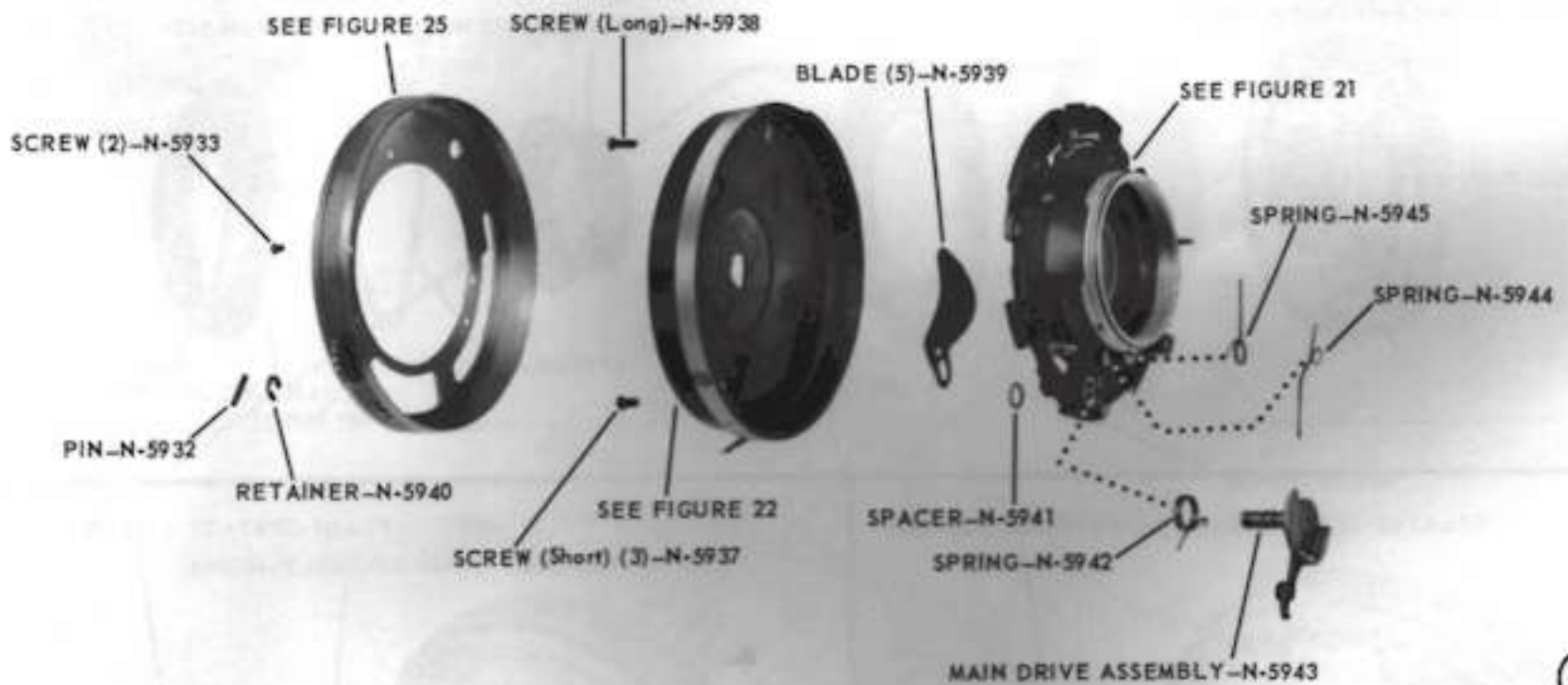
ORDER PARTS FROM APPARATUS PARTS SERVICE  
EASTMAN KODAK COMPANY, ROCHESTER 4, N. Y.



18



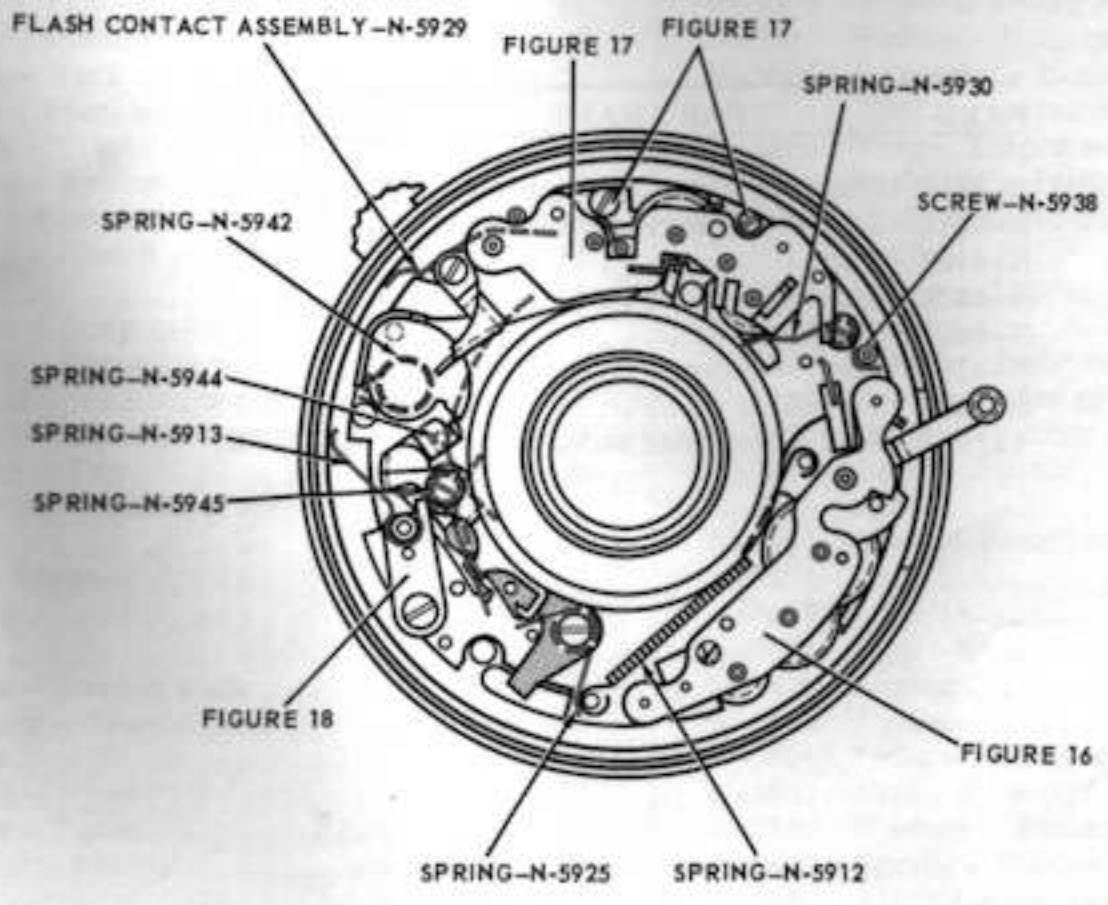
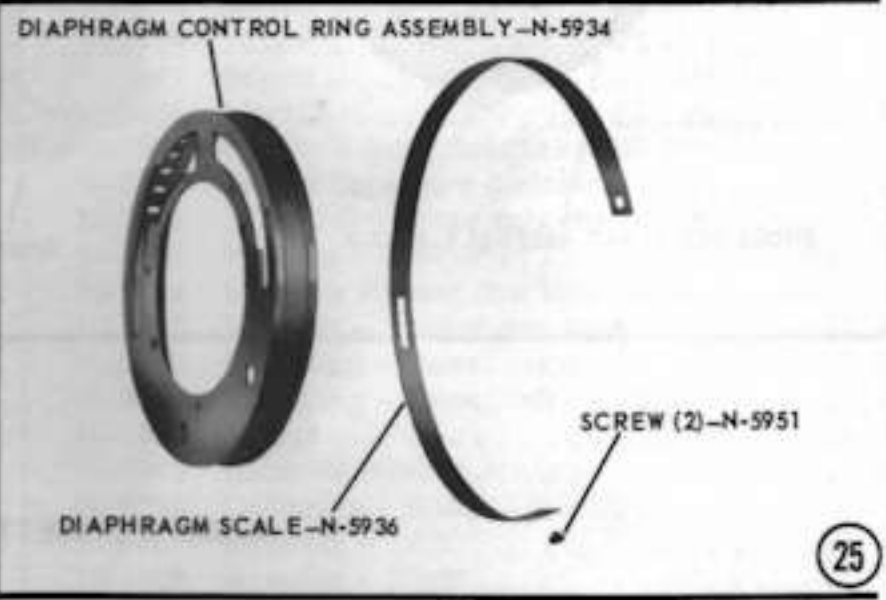
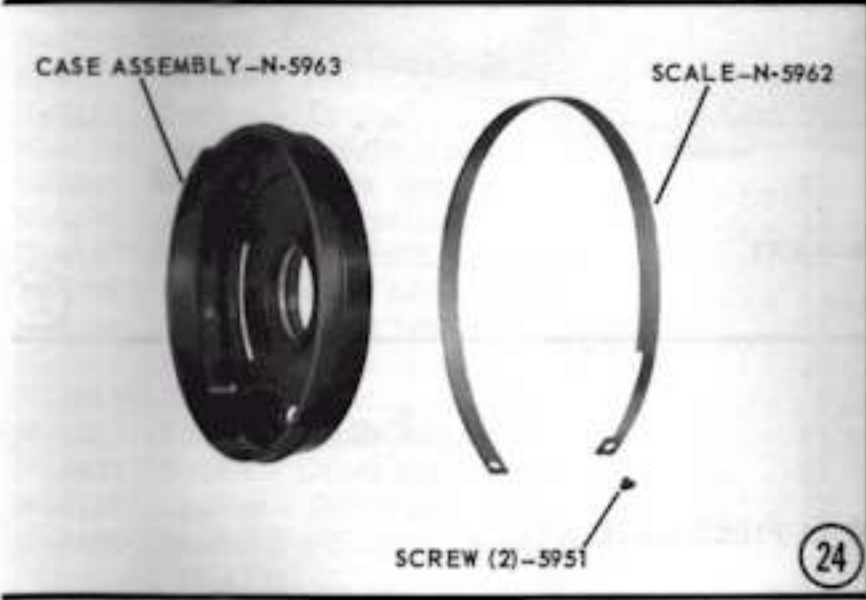
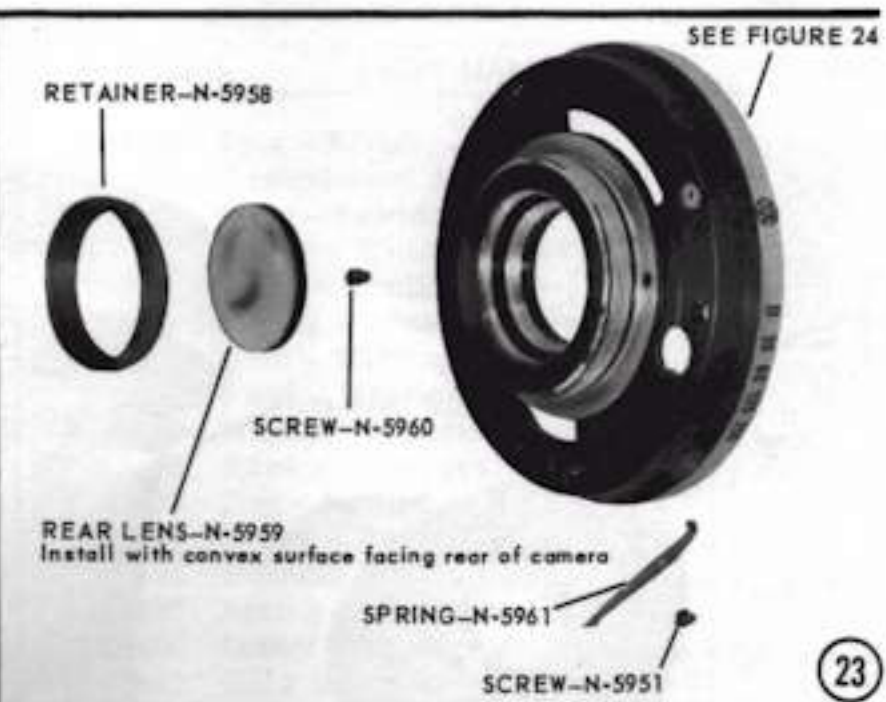
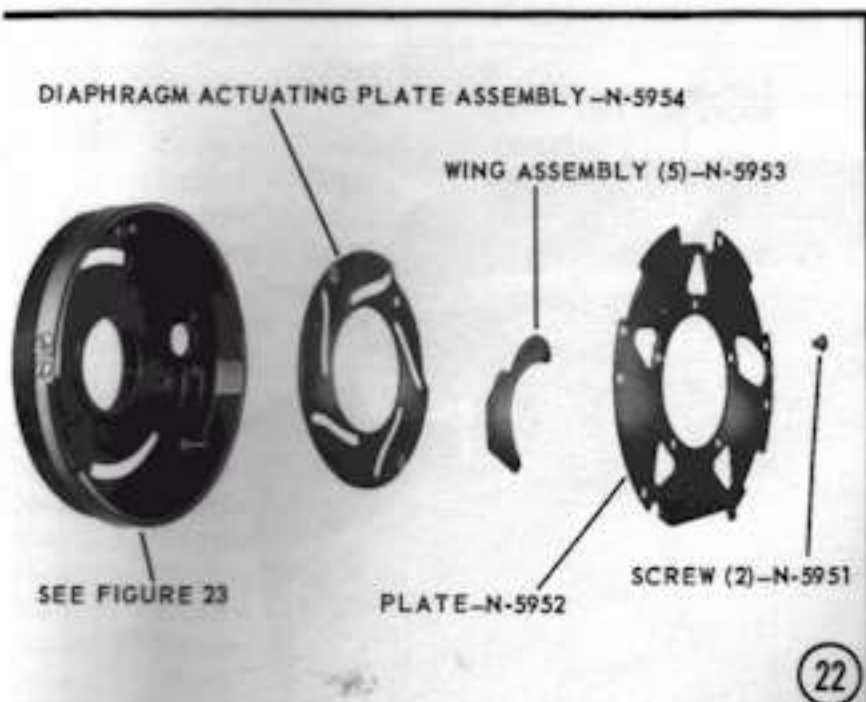
19



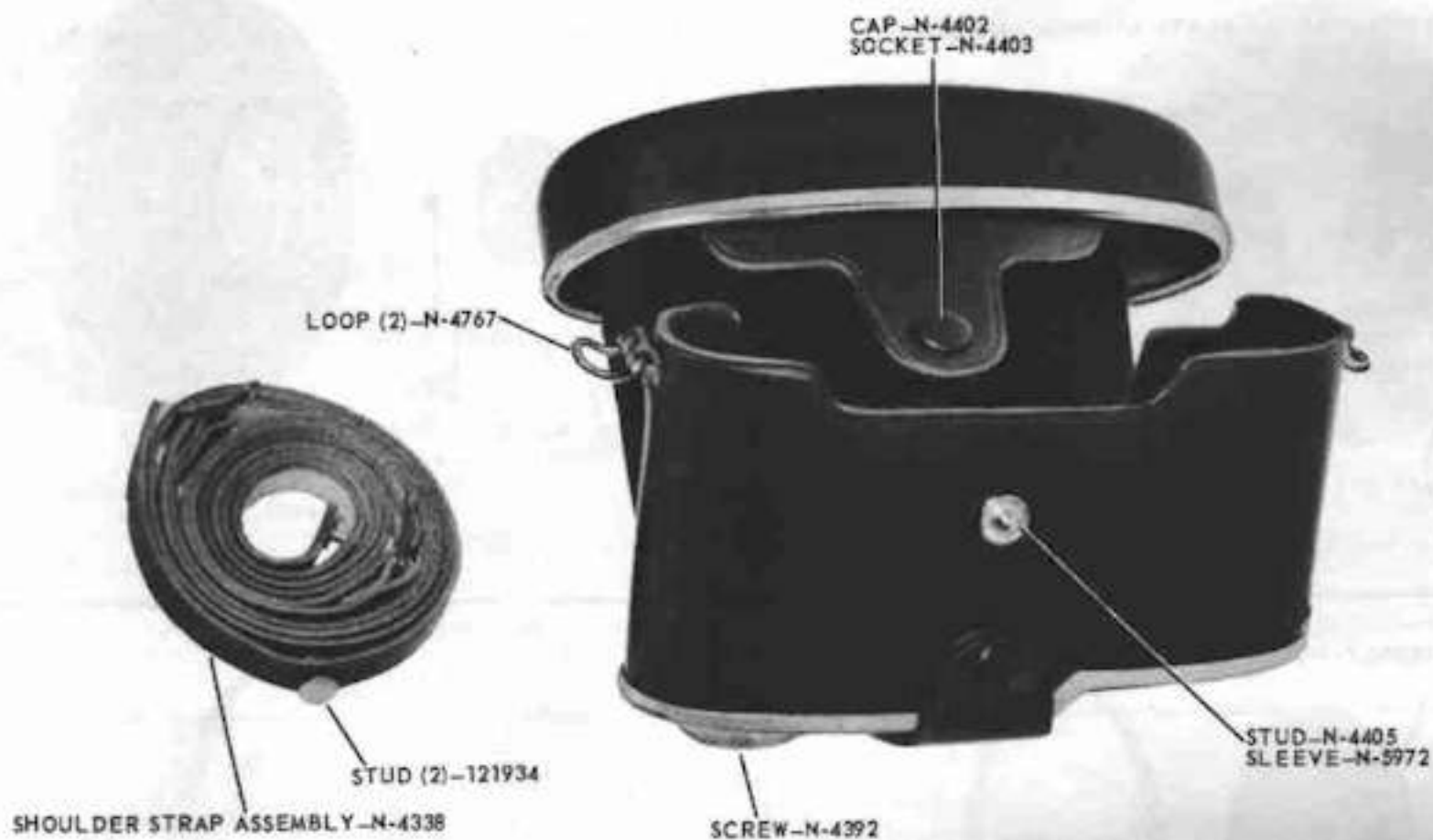
20



21



This illustration shows springs and related parts in set position.



27

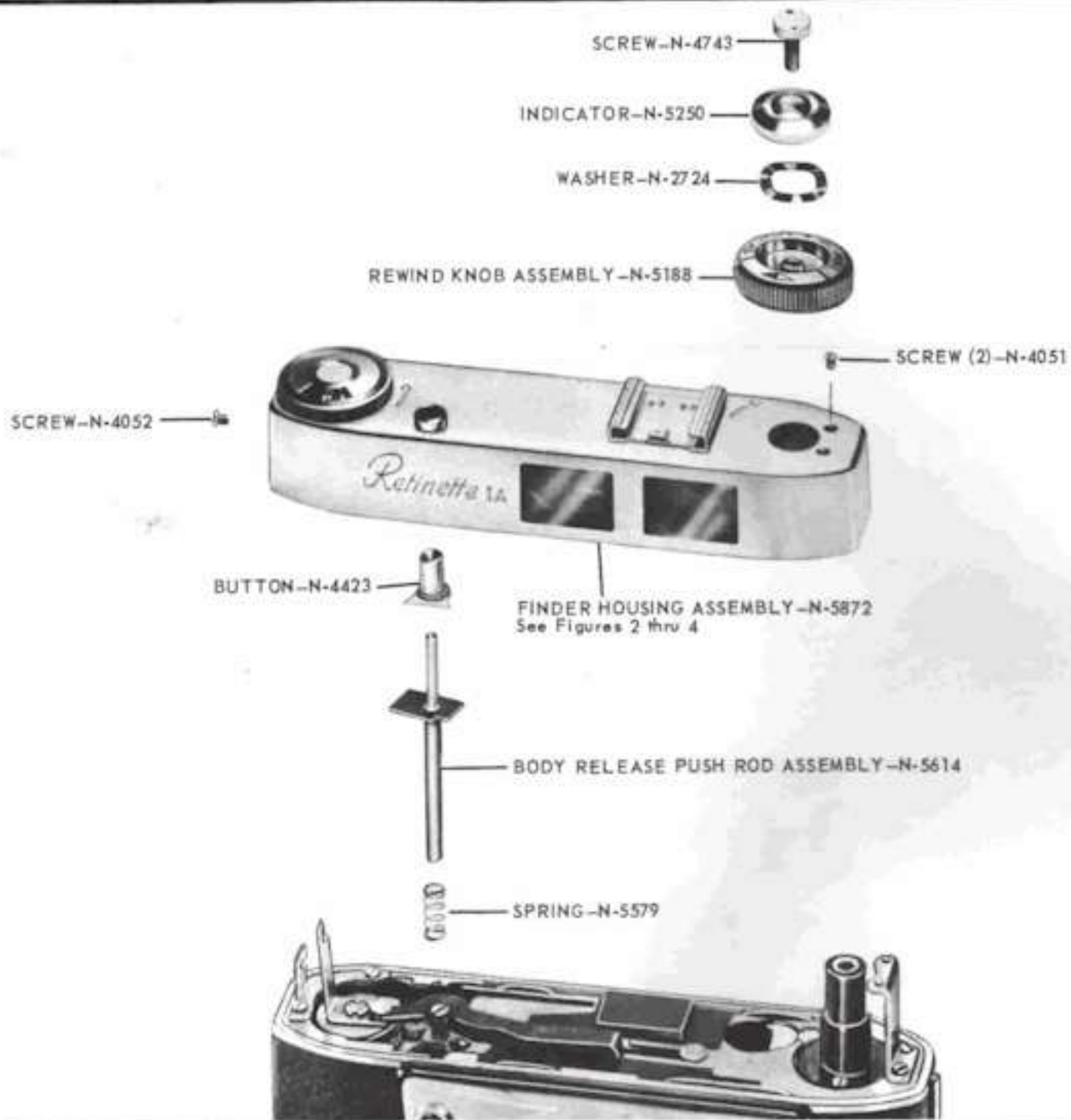
**KODAK RETINETTE 1A FIELD CASE**

PART NO.	PART NAME	FIG.
N-4338	Shoulder Strap Assembly . . . . .	27
N-4392	Screw - Camera retaining. . . . .	27
N-4402	Cap. . . . .	27
N-4403	Socket . . . . .	27
N-4405	Stud . . . . .	27
N-4767	Loop - Strap. . . . .	27
N-5972	Sleeve . . . . .	27
121934	Stud - Shoulder strap. . . . .	27

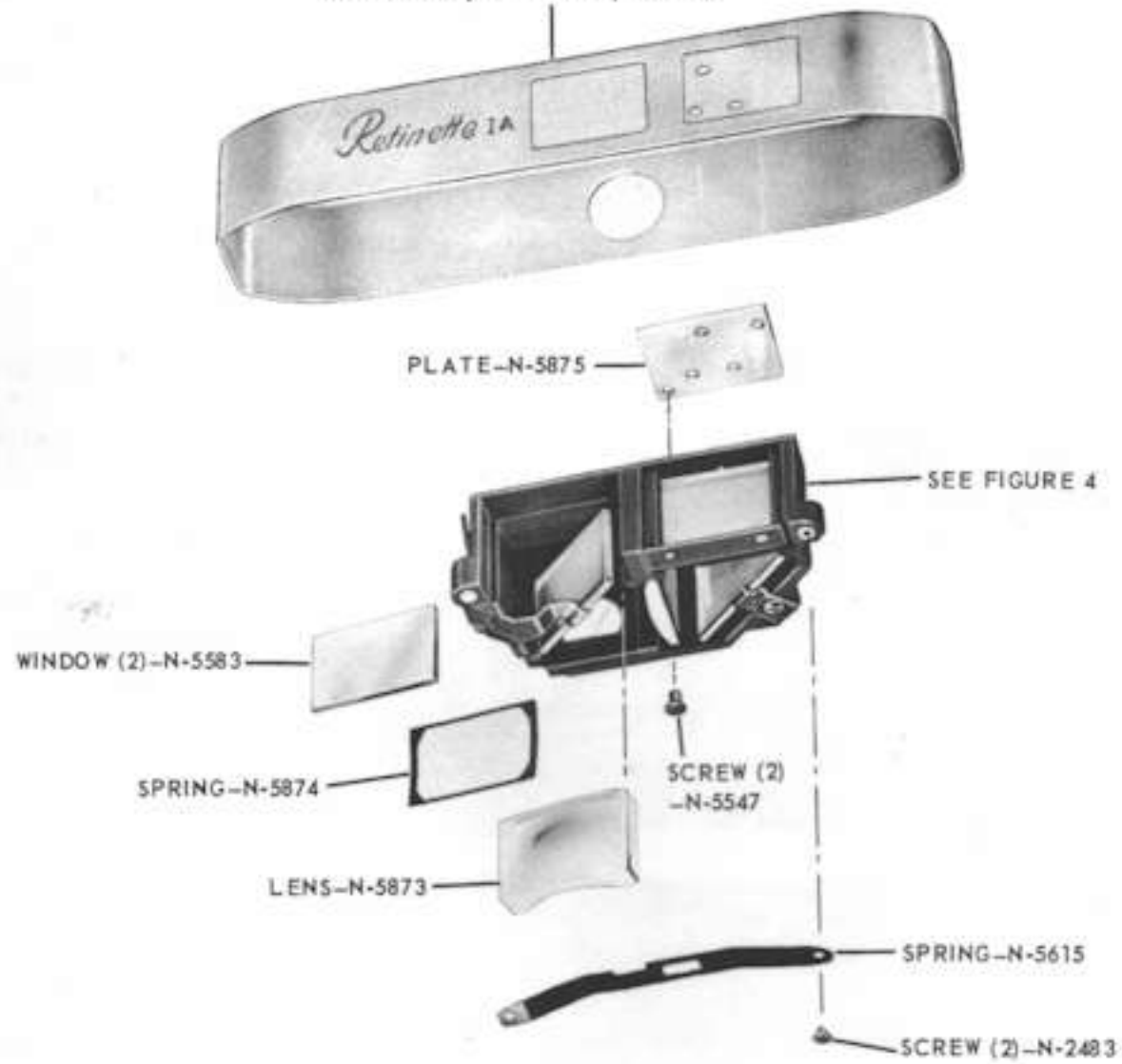
PART NO.	PART NAME	FIG.	PART NO.	PART NAME	FIG.
N-2222	Screw - Rewind post bearing . . . . .	8	N-5329	Spot - Kodak . . . . .	5
N-2423	Screw - Clip . . . . .	2	N-5410	Rewind Post Assembly . . . . .	8
N-2483	Screw . . . . .	3	N-5411	Ring - Rewind post . . . . .	8
N-2617	Spring - Rewind release dog . . . . .	9	N-5417	Screw - Winding lever . . . . .	9
N-2618	Film Tension Pad Assembly . . . . .	7	N-5418	Gear - Winding shaft . . . . .	10
N-2675	Washer - Rewind release button . . . . .	9	N-5419	Spring - Tension lever . . . . .	10
N-2677	Screw . . . . .	5	N-5420	Cam - Winding shaft . . . . .	10
N-2699	Screw - Back latch plate . . . . .	12	N-5421	Pawl - Winding shaft . . . . .	10
N-2717	Spring - Film tension pad . . . . .	7	N-5422	Washer - Winding shaft . . . . .	10
N-2722	Rivet . . . . .	7	N-5432	Pawl - Drive gear . . . . .	11
N-2724	Washer - Film indicator . . . . .	1	N-5433	Dog - Rewind release . . . . .	9
N-4025	Screw - Wind release adjusting . . . . .	11	N-5434	Screw - Rewind release dog . . . . .	9
N-4026	Spring - Wind release . . . . .	11	N-5436	Bushing and Gear Assembly . . . . .	11
N-4051	Screw . . . . .	1	N-5437	Spring - Drive gear pawl . . . . .	11
N-4052	Screw . . . . .	1	N-5439	Screw - Winding shaft . . . . .	11
N-4092	Bushing - Body release . . . . .	2	N-5443	Back Latch Assembly . . . . .	12
N-4099	Screw . . . . .	8	N-5533	Strip . . . . .	7
N-4140	Screw - Sprocket shaft . . . . .	11	N-5538	Screw . . . . .	12
N-4182	Screw - Tripod socket . . . . .	9	N-5547	Screw . . . . .	3
N-4183	Socket - Tripod . . . . .	9	N-5550	Mirror . . . . .	4
N-4184	Bearing - Film cassette . . . . .	9	N-5579	Spring - Body release push rod . . . . .	1
N-4194	Spring - Back latch button . . . . .	12	N-5581	Dial - Exposure counter . . . . .	2
N-4195	Plate - Back latch . . . . .	12	N-5582	Disk - Exposure counter index . . . . .	2
N-4197	Stud - Back latch guide . . . . .	12	N-5583	Window - Finder . . . . .	3
N-4208	Wind Release Assembly . . . . .	11	N-5584	Mount - Finder eye lens . . . . .	4
N-4211	Spring - Wind release . . . . .	11	N-5585	Window - Finder eye lens . . . . .	4
N-4212	Screw - Winding shaft . . . . .	10	N-5588	Covering - Case, right . . . . .	6
N-4219	Button - Rewind release . . . . .	9	N-5589	Covering - Case, left . . . . .	6
N-4220	Sprocket Shaft Assembly . . . . .	11	N-5590	Frame . . . . .	5
N-4222	Screw - Drive gear pawl . . . . .	11	N-5593	Back Assembly . . . . .	6
N-4225	Spacer - Drive gear pawl . . . . .	11	N-5598	Covering - Back . . . . .	7
N-4230	Bushing - Take-up spool (Old Style N-4231) . . . . .	11	N-5601	Bracket - Left . . . . .	8
N-4231	Spool - Take-up (Old Style) . . . . .	11	N-5602	Bracket - Right . . . . .	8
N-4236	Hinge Assembly . . . . .	7	N-5604	Tension Lever Assembly . . . . .	10
N-4238	Catch - Back . . . . .	7	N-5605	Frame - Bottom . . . . .	9
N-4239	Rivet - Film tension pad spring . . . . .	7	N-5606	Covering - Bottom . . . . .	9
N-4321	Screw - Tripod socket ring . . . . .	9	N-5607	Winding Lever Assembly . . . . .	9
N-4325	Spring - Rewind release button . . . . .	9	N-5608	Ring - Tripod socket . . . . .	9
N-4354	Gear - Clutch . . . . .	11	N-5611	Sprocket - Film . . . . .	11
N-4355	Spring - Clutch pressure . . . . .	11	N-5614	Body Release Push Rod Assembly . . . . .	1
N-4356	Clutch . . . . .	11	N-5615	Spring . . . . .	3
N-4423	Button - Body release . . . . .	1	N-5622	Screw - Latch . . . . .	13
N-4436	Spring - Exposure counter . . . . .	2	N-5623	Latch . . . . .	13
N-4437	Washer - Exposure counter dial . . . . .	2	N-5625	Rivet - Body release arm . . . . .	13
N-4441	Screw - Exposure counter . . . . .	2	N-5848	Spool - Take-up (New Style) . . . . .	11
N-4486	Frame - Top . . . . .	8	N-5872	Finder Housing Assembly . . . . .	1
N-4530	Covering - Winding lever . . . . .	9	N-5873	Lens - Finder . . . . .	3
N-4545	Rivet . . . . .	7	N-5874	Spring . . . . .	3
N-4547	Pin - Hinge . . . . .	7	N-5875	Plate - Reinforcement . . . . .	3
N-4580	Spring . . . . .	8	N-5876	Lens . . . . .	4
N-4613	Plate . . . . .	7	N-5877	Clip . . . . .	4
N-4743	Screw - Rewind knob . . . . .	1	N-5878	Clip - Mirror . . . . .	4
N-4792	Bearing - Rewind post . . . . .	8	N-5879	Spring . . . . .	4
N-4887	Screw . . . . .	11	N-5880	Frame . . . . .	4
N-4921	Roller - Film . . . . .	7	N-5881	Lens - Finder eye . . . . .	4
N-4977	Screw - Front . . . . .	12	N-5882	Glass - Ground . . . . .	4
N-4994	Mirror - Finder . . . . .	4	N-5883	Washer - Finder eye lens . . . . .	4
N-5016	Clip . . . . .	2	N-5884	Spring - Finder eye lens . . . . .	4
N-5188	Rewind Knob Assembly . . . . .	1	N-5885	Finder Body Assembly . . . . .	4
N-5250	Indicator - Film . . . . .	1	N-5886	Collar - Shutter retaining . . . . .	5
			N-5887	Front Cap Assembly . . . . .	5

PART NO.	PART NAME	FIG.	PART NO.	PART NAME	FIG.
N-5888	Washer - Lens compensating .002 . . .	5	N-5922	Spacer - Latch lever . . . . .	19
N-5889	Washer - Lens compensating .0025 . . .	5	N-5923	Screw - Trigger . . . . .	19
N-5890	Washer - Lens compensating .004 . . .	5	N-5924	Trigger . . . . .	19
N-5891	Washer - Lens compensating .013 . . .	5	N-5925	Spring - Trigger . . . . .	19
N-5892	Washer - Lens compensating .021 . . .	5	N-5926	Stud - Flash contact lever . . . . .	17
N-5893	Ring . . . . .	5	N-5927	Lever - Flash contact . . . . .	17
N-5894	Shutter and Lens Assembly (Feet) . . .	5	N-5928	Spacer - Flash contact lever . . . . .	17
N-5895	Case Assembly (Includes Studs - N-4197). . . . .	12	N-5929	Flash Contact Assembly . . . . .	17
N-5896	Tunnel - Light . . . . .	12	N-5930	Spring - Blade operating ring . . . . .	17
N-5897	Front Assembly . . . . .	12	N-5931	Screw - Blade operating ring spring . .	17
N-5898	Arm - Body release . . . . .	13	N-5932	Pin - Main drive . . . . .	20
N-5899	Sleeve . . . . .	13	N-5933	Screw - Diaphragm control ring . . . .	20
N-5900	Front . . . . .	13	N-5934	Diaphragm Control Ring Assembly . . .	25
N-5973	Winding Shaft Assembly (For old style Spool - N-4231) . . . . .	11	N-5936	Scale - Diaphragm . . . . .	25
N-5980	Winding Shaft Assembly (For new style Spool - N-5848) . . . . .	11	N-5937	Screw - Case to mechanism plate, short . . . . .	20
<b>PRONTO SHUTTER</b>			N-5938	Screw - Case to mechanism plate, long	20
N-5894	Pronto Shutter Assembly (Feet) . . . . .	14	N-5939	Blade . . . . .	20
N-5902	Screw - Focus mount . . . . .	15	N-5940	Retainer - Main drive . . . . .	20
N-5903	Mount - Focus . . . . .	15	N-5941	Spacer - Main drive . . . . .	20
N-5904	Spring - Focus mount detent . . . . .	15	N-5942	Spring - Main drive . . . . .	20
N-5905	Retainer - Cover plate . . . . .	15	N-5943	Main Drive Assembly . . . . .	20
N-5906	Cover Plate Assembly . . . . .	15	N-5944	Spring - Blade actuating arm . . . . .	20
N-5907	Ring - Speed . . . . .	15	N-5945	Spring - Latch lever . . . . .	20
N-5908	Retard Gear Train Assembly . . . . .	17	N-5946	Screw - Blade operating ring . . . . .	21
N-5909	Screw - Gear train, long . . . . .	17	N-5947	Washer - Blade operating ring . . . . .	21
N-5910	Screw - Gear train, short . . . . .	17	N-5948	Washer - Blade operating ring (flat one side) . . . . .	21
N-5911	Delayed Action Gear Train Assembly .	16	N-5949	Blade Operating Ring Assembly . . . . .	21
N-5912	Spring - Delayed-action gear train . . .	16	N-5950	Mechanism Plate Assembly . . . . .	21
N-5913	Spring - Speed ring detent lever . . . .	18	N-5951	Screw . . . . .	22
N-5914	Lever - Speed ring detent . . . . .	18	N-5952	Plate - Diaphragm retainer . . . . .	22
N-5915	Screw - Speed ring detent lever . . . . .	18	N-5953	Diaphragm Wing Assembly . . . . .	22
N-5916	Spring - Bulb lever . . . . .	18	N-5954	Diaphragm Actuating Plate Assembly .	22
N-5917	Stud - Bulb lever . . . . .	18	N-5955	Front Lens and Mount Assembly . . . .	15
N-5918	Lever - Bulb . . . . .	18	N-5957	Lens - Center . . . . .	21
N-5919	Spacer - Bulb lever . . . . .	18	N-5958	Retainer - Center lens . . . . .	21
N-5920	Screw - Latch lever . . . . .	19	N-5959	Lens - Rear . . . . .	23
N-5921	Lever - Latch . . . . .	19	N-5960	Screw - Shutter locating . . . . .	23
			N-5961	Spring - Diaphragm scale detent . . . .	23
			N-5962	Scale - Speed index . . . . .	24
			N-5963	Case Assembly . . . . .	24

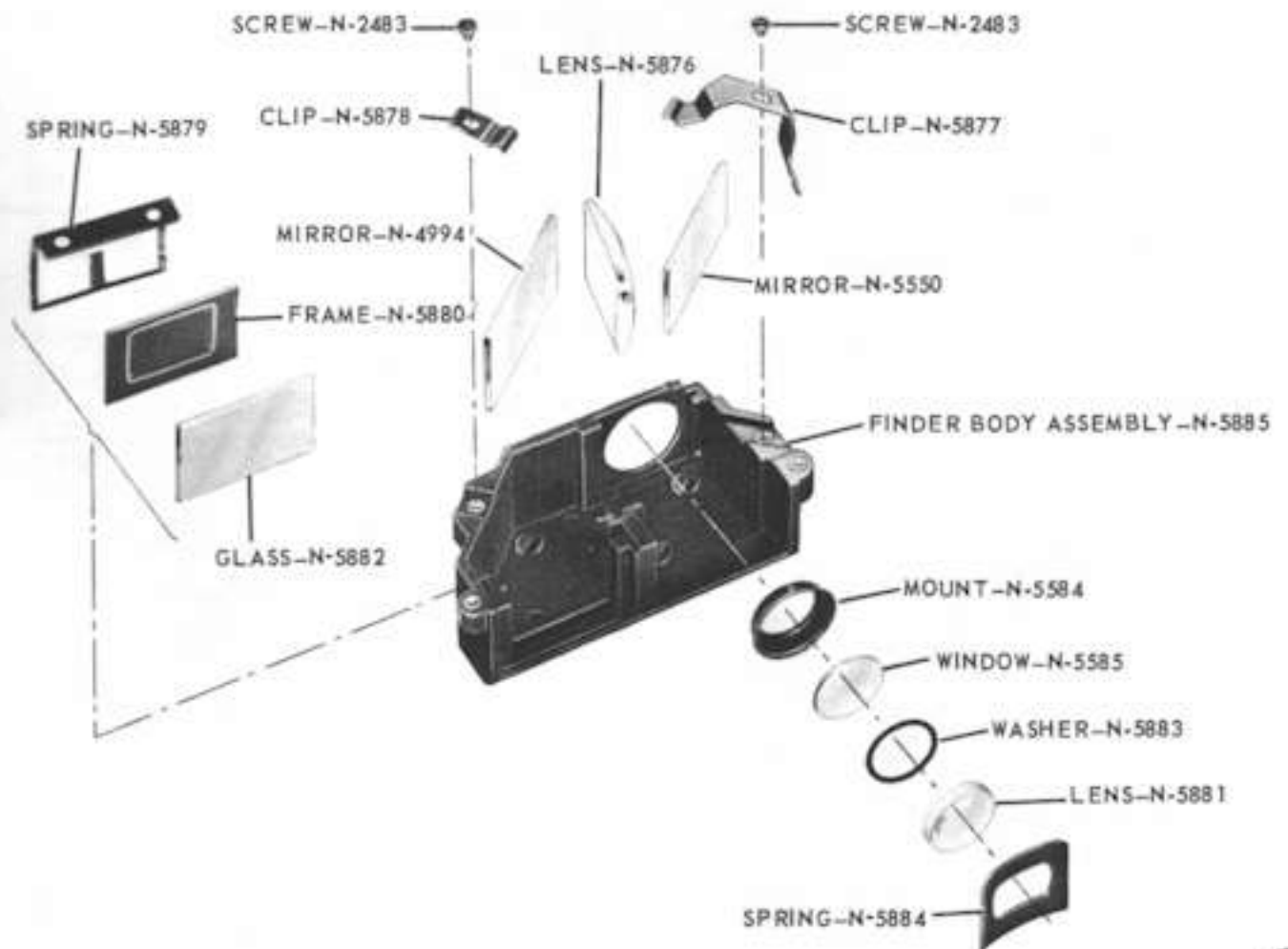
**EASTMAN KODAK COMPANY • ROCHESTER 4, NEW YORK**



Available only in Assembly-N-5872

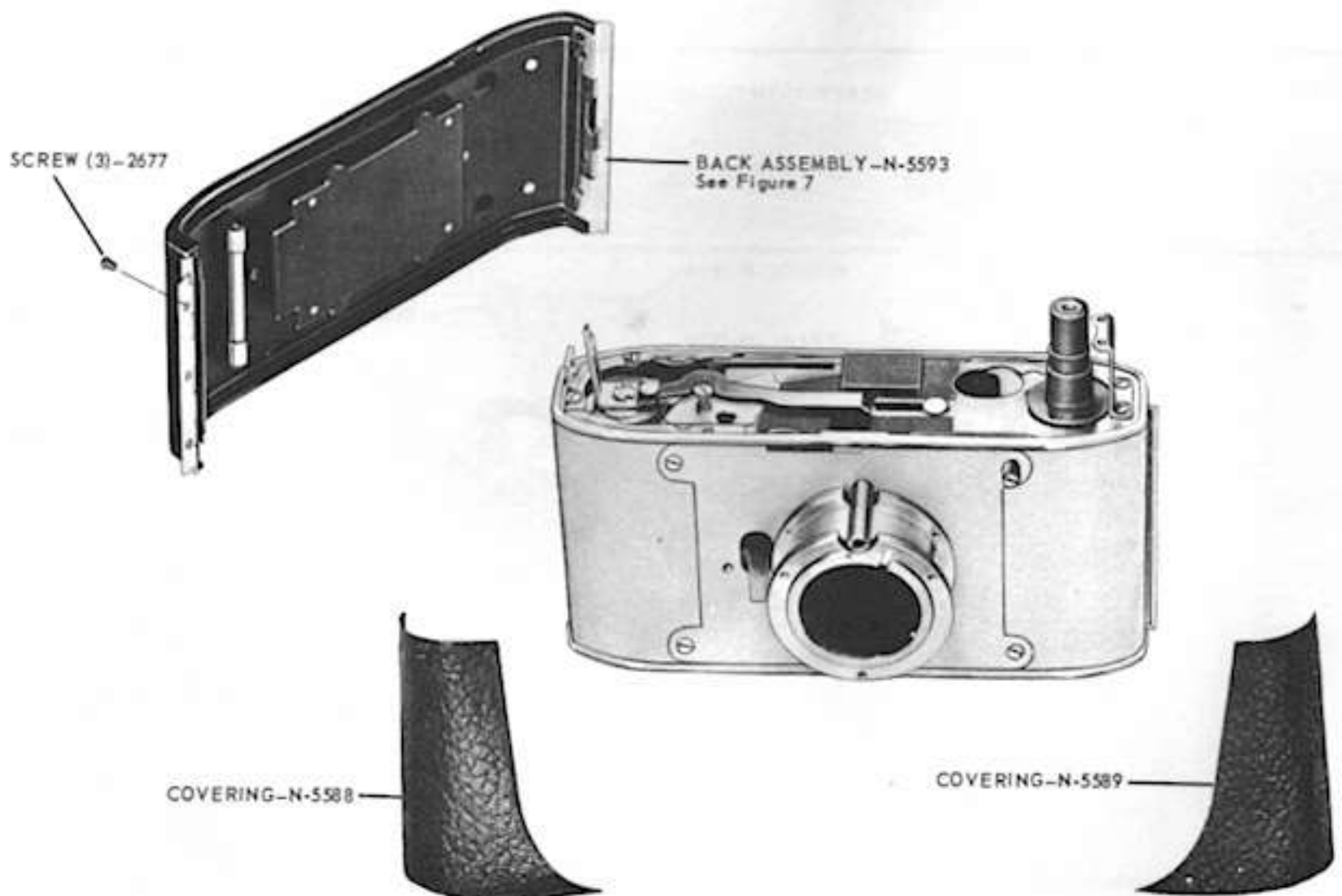
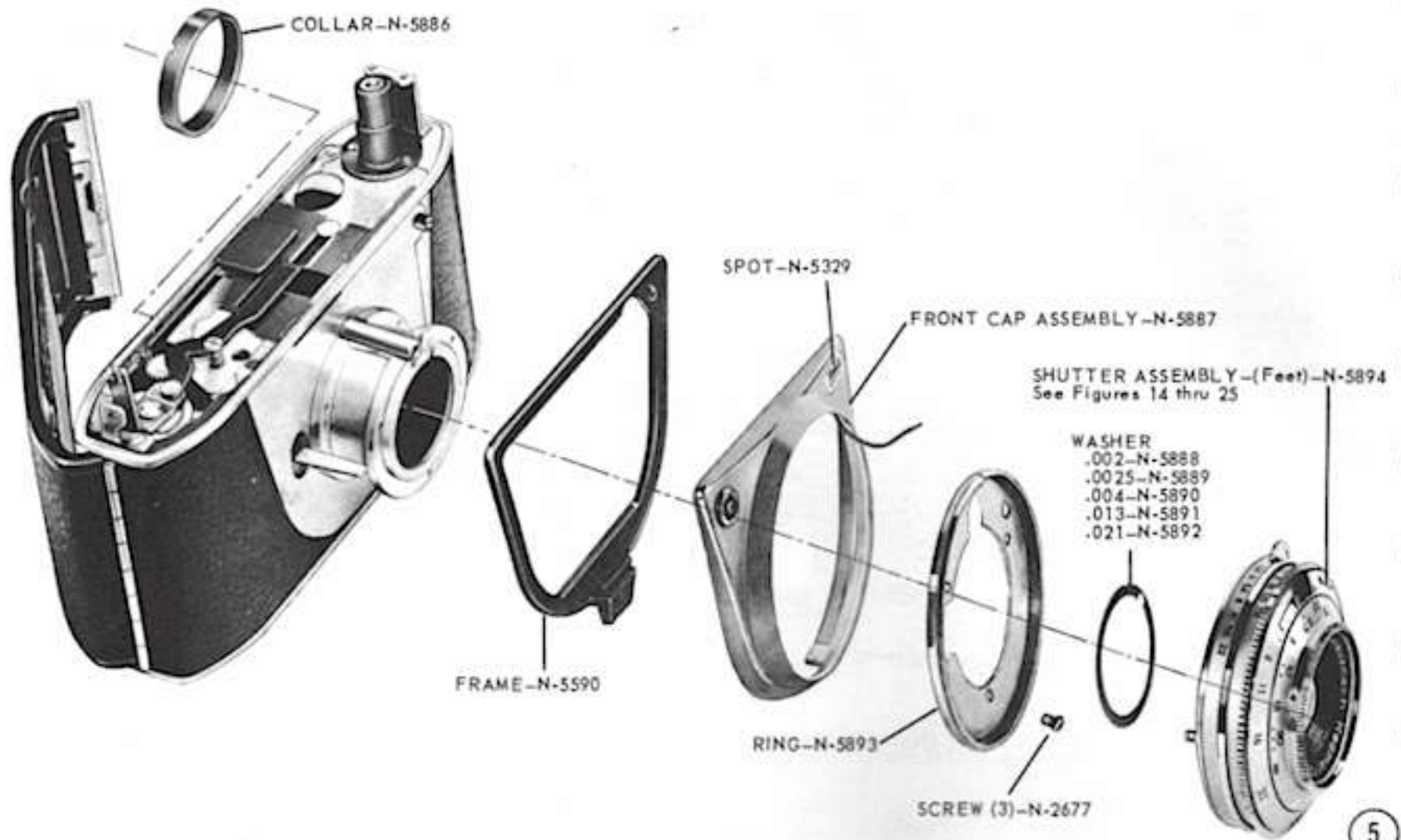


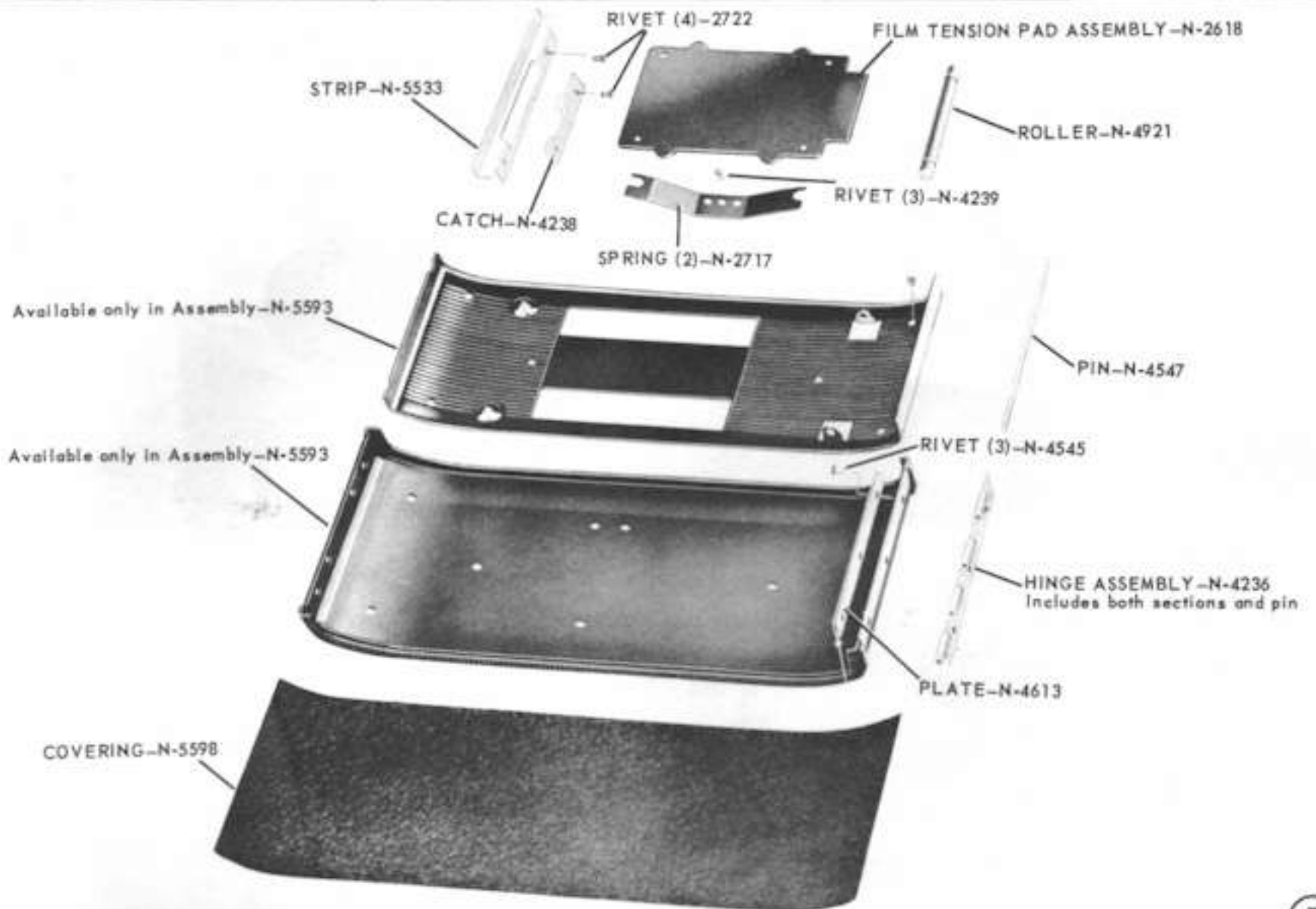
3



4

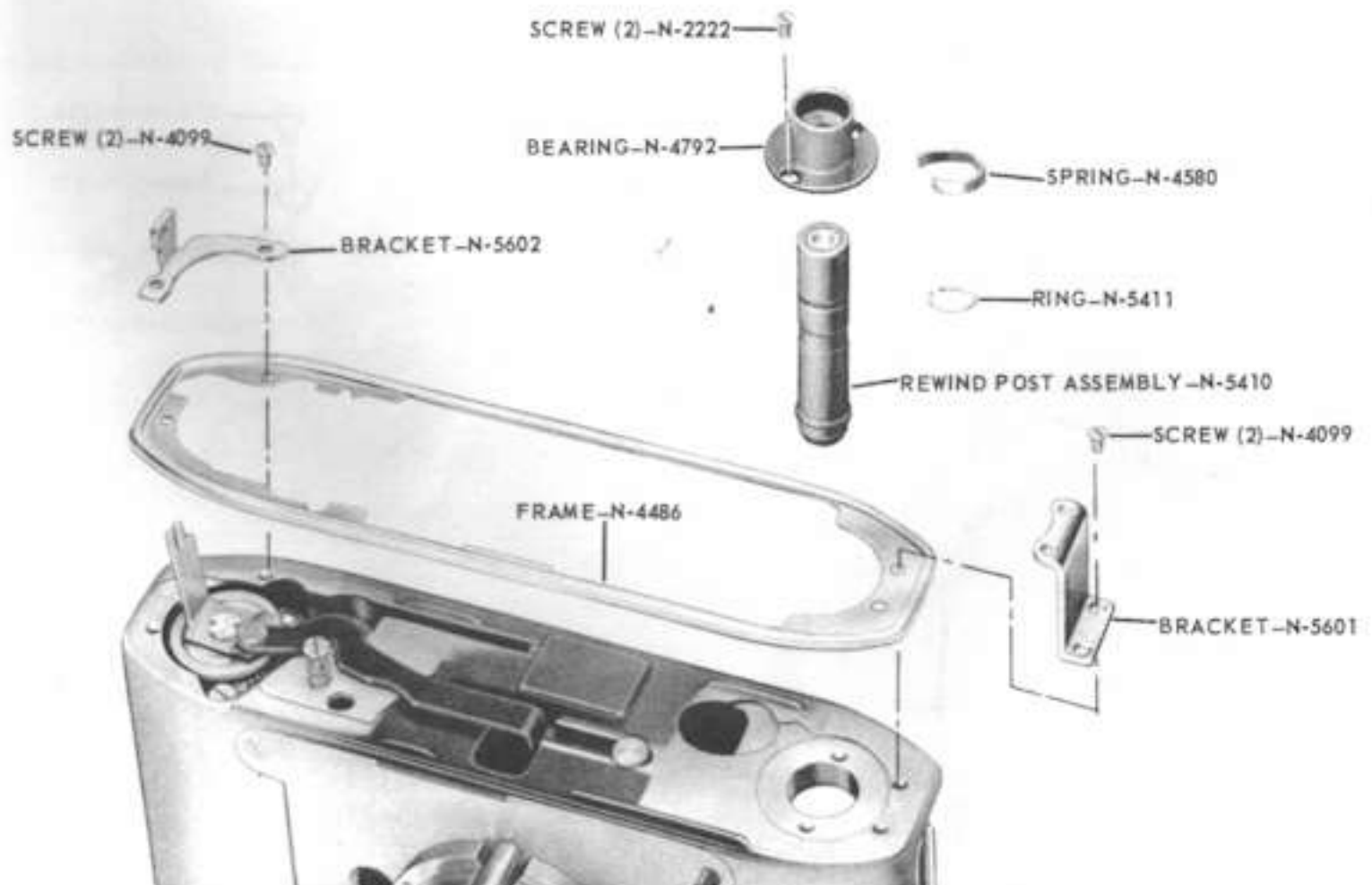




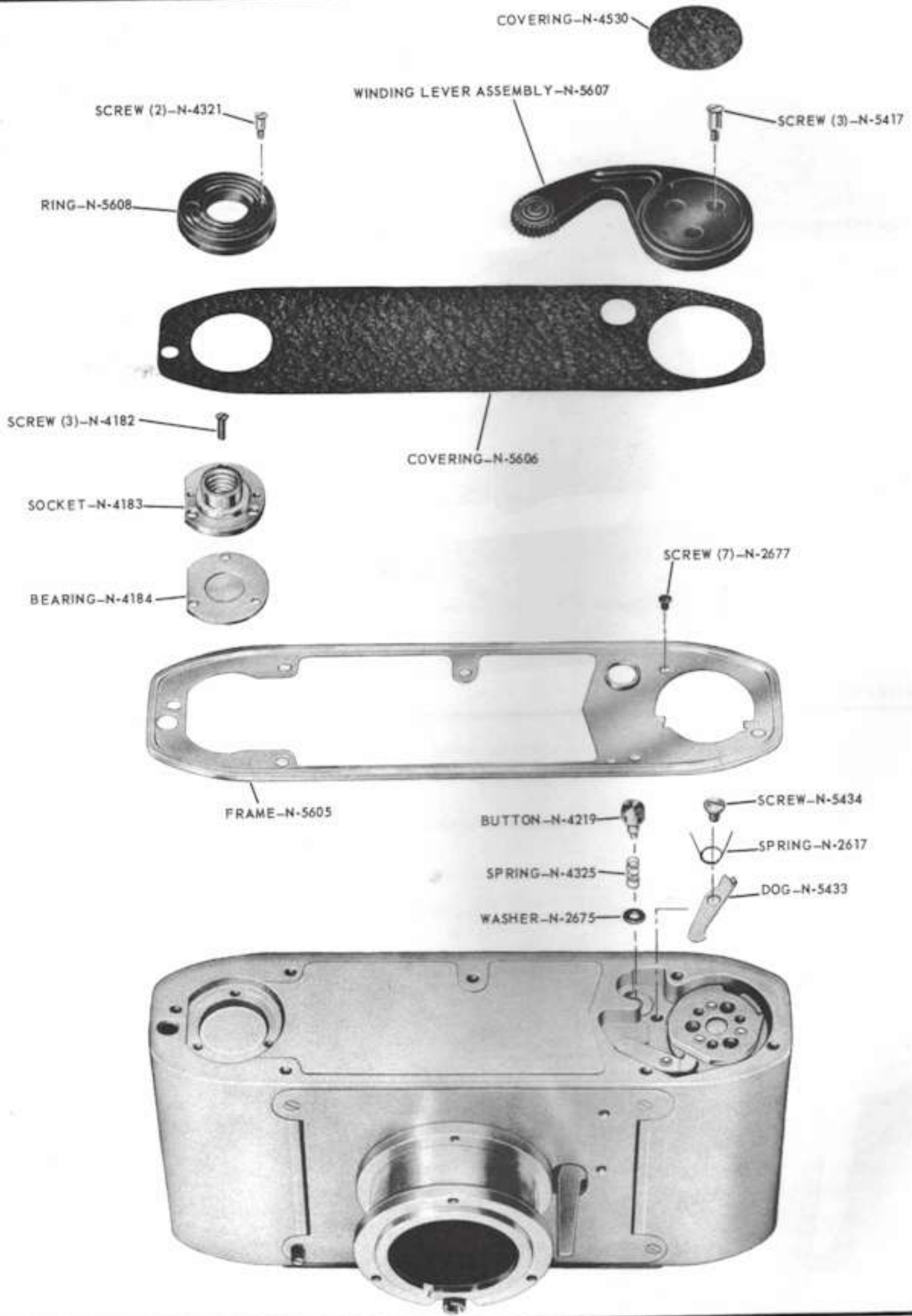


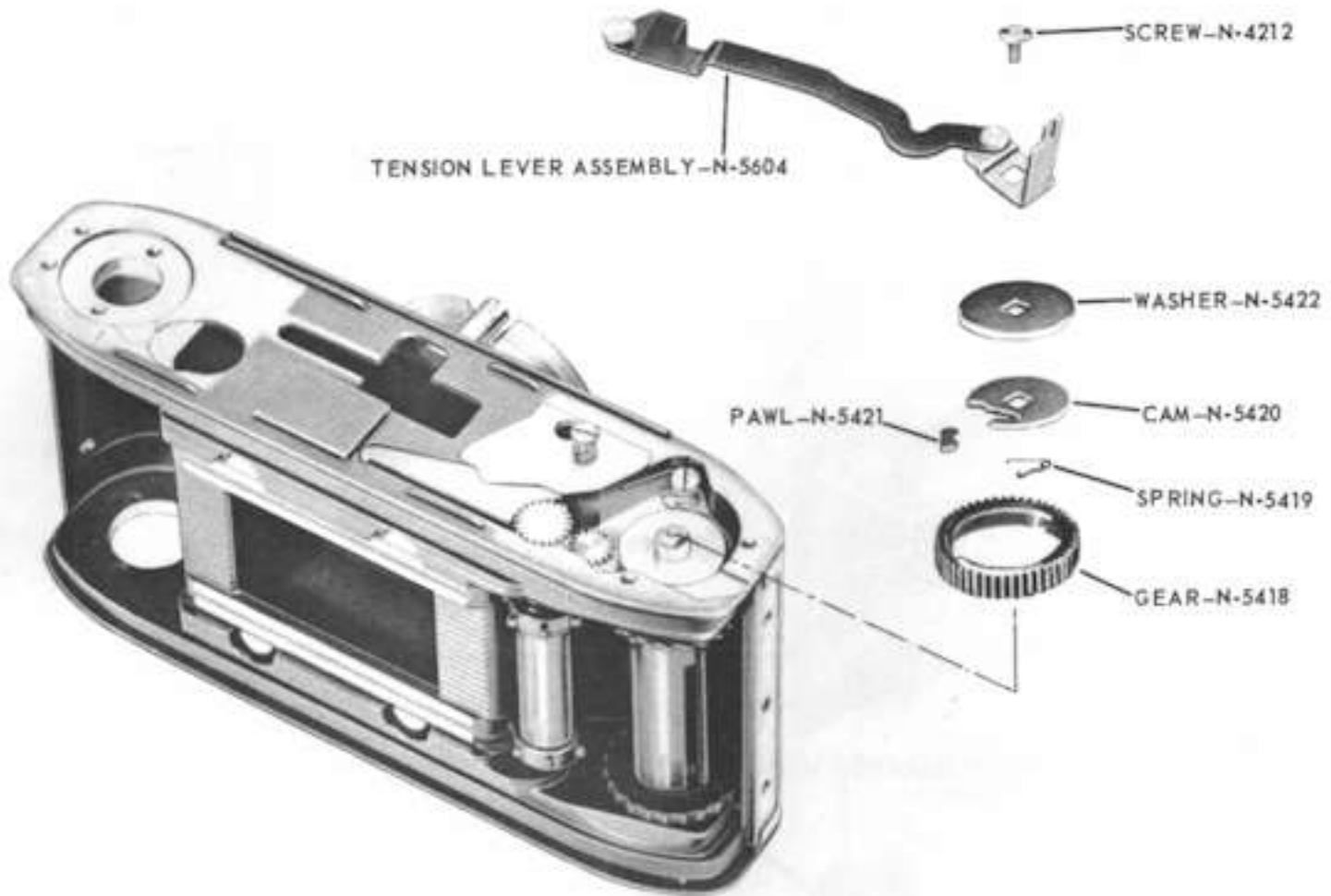
BACK ASSEMBLY-N-5593

7

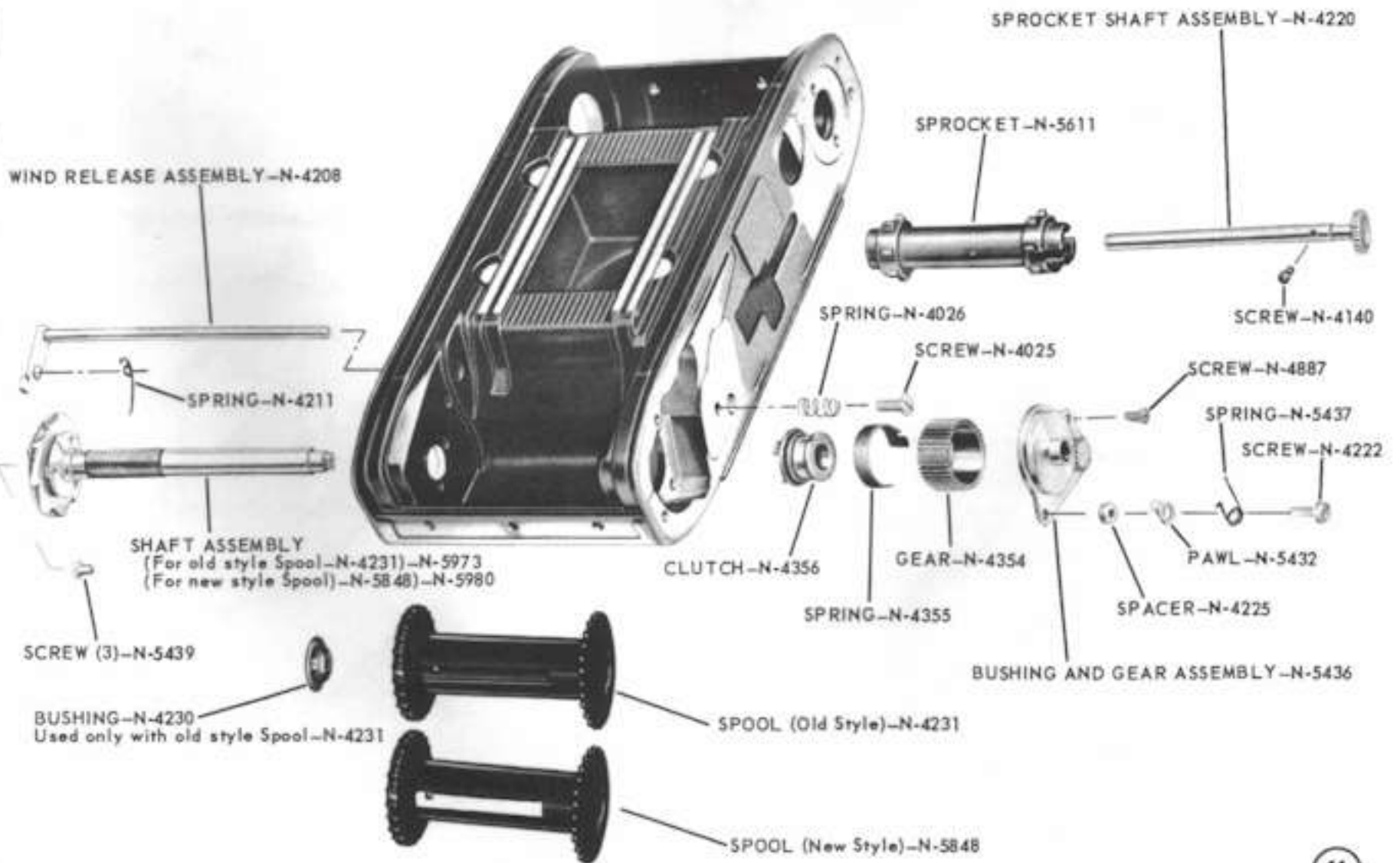


8

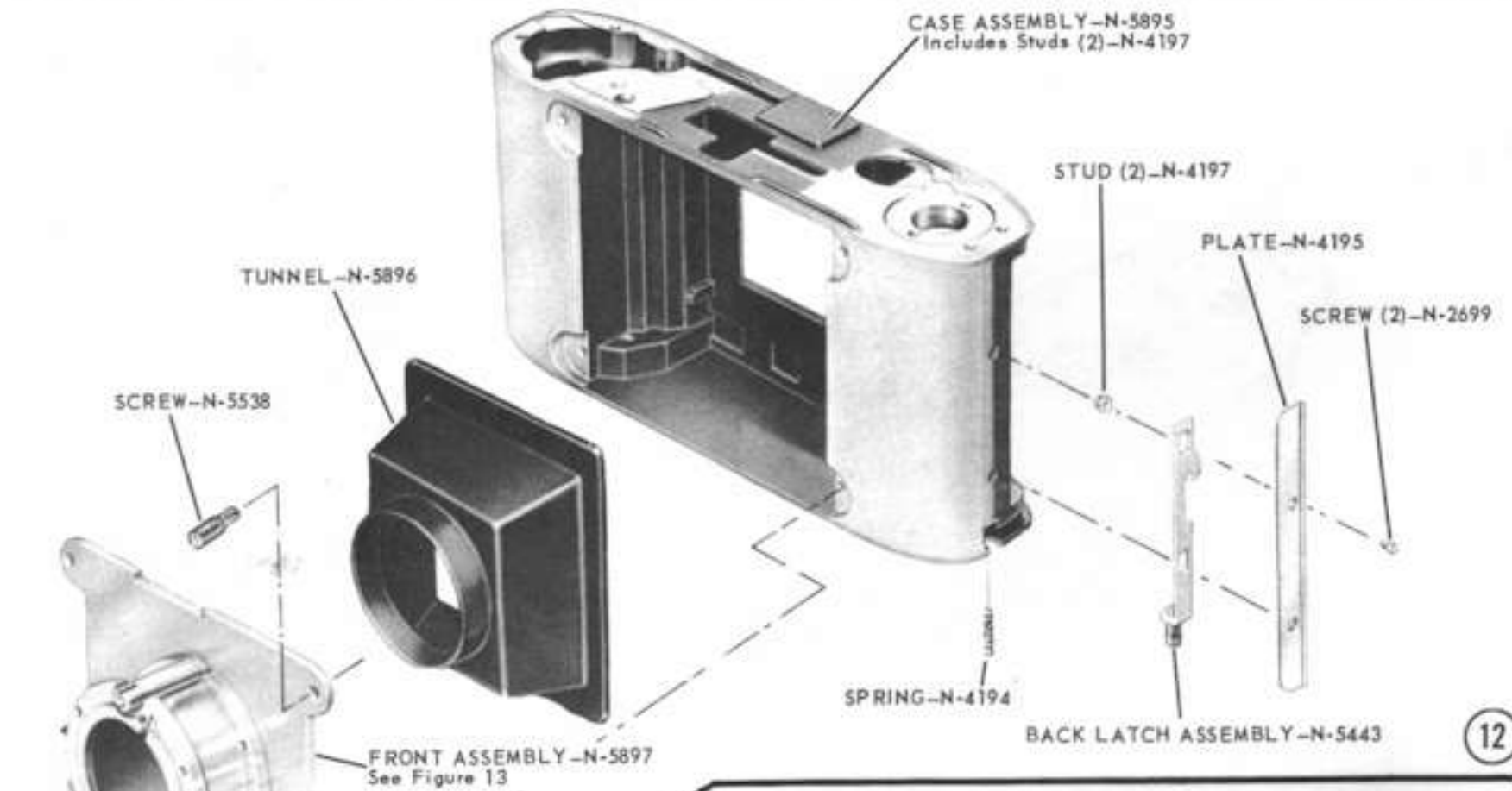




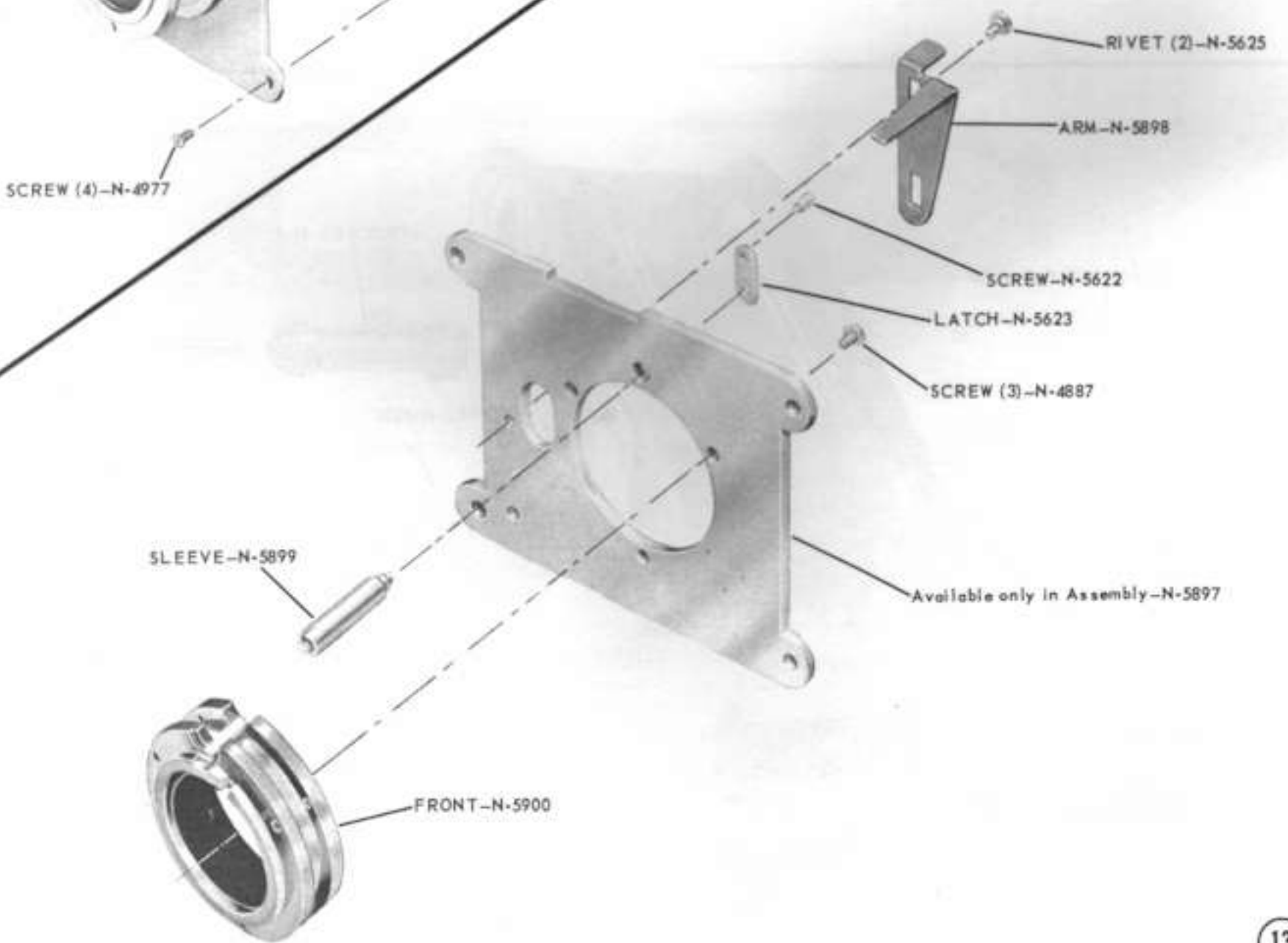
10



11



12



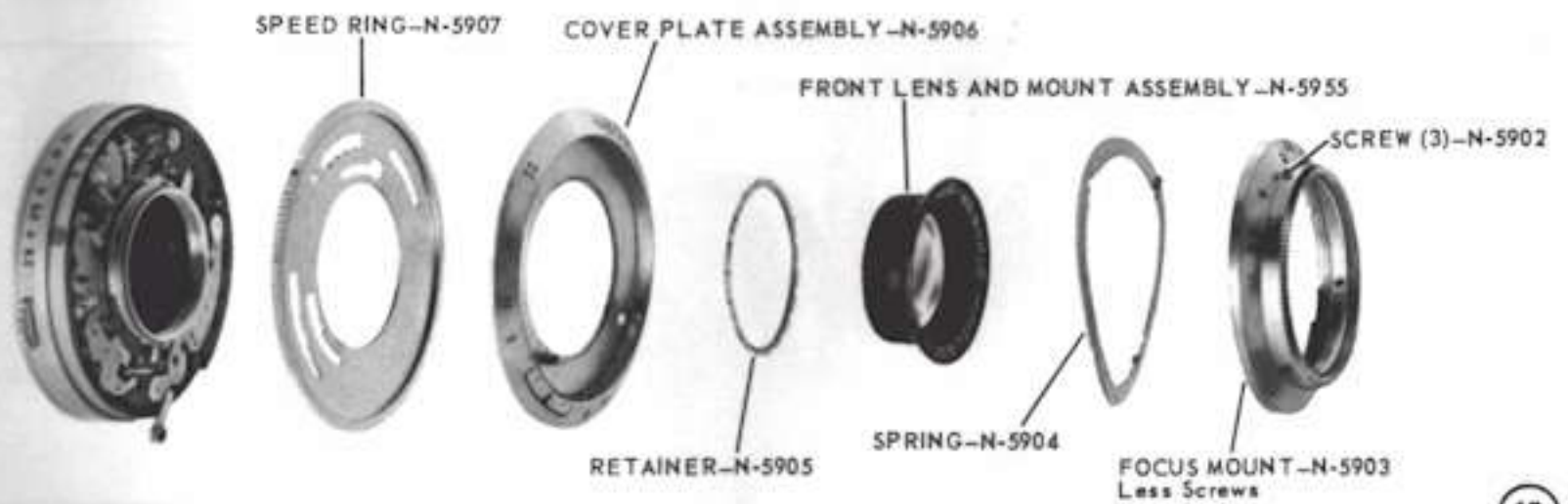
FRONT ASSEMBLY-N-5897

13



SHUTTER ASSEMBLY (Feet)-N-5894  
See Figures 15 thru 25

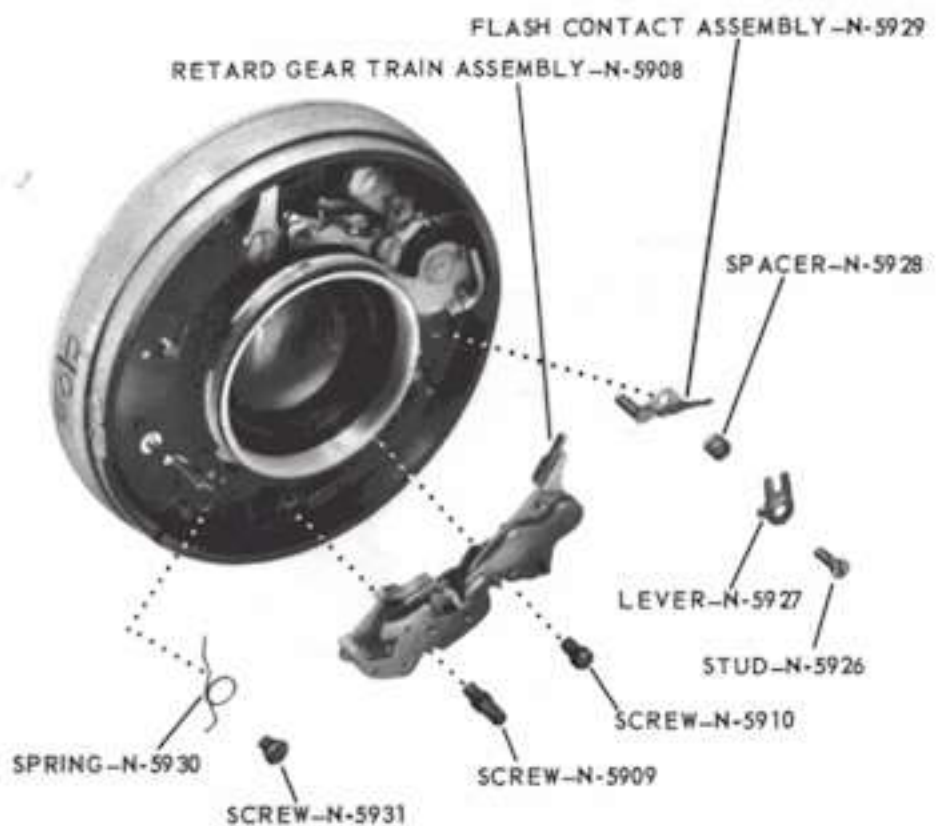
14



15



16



17