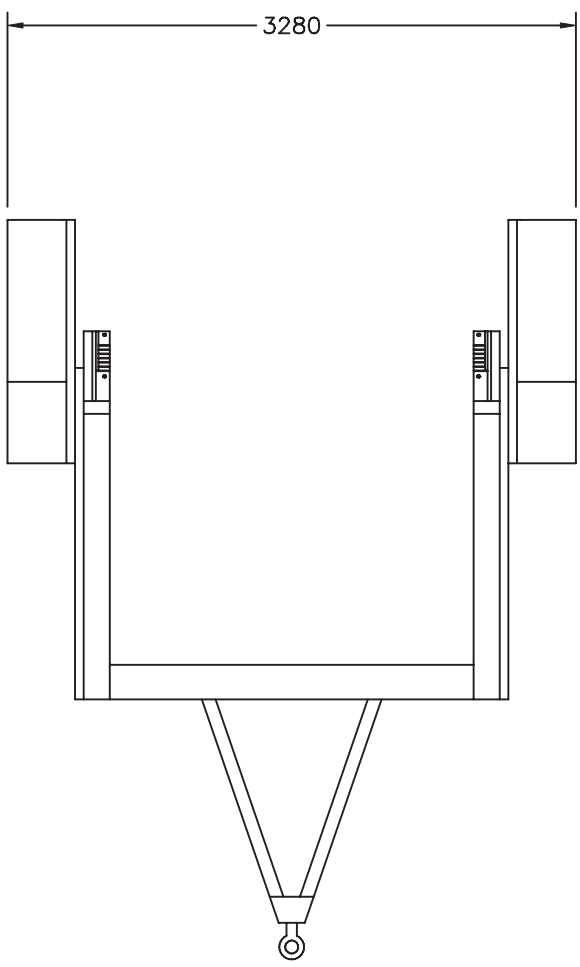
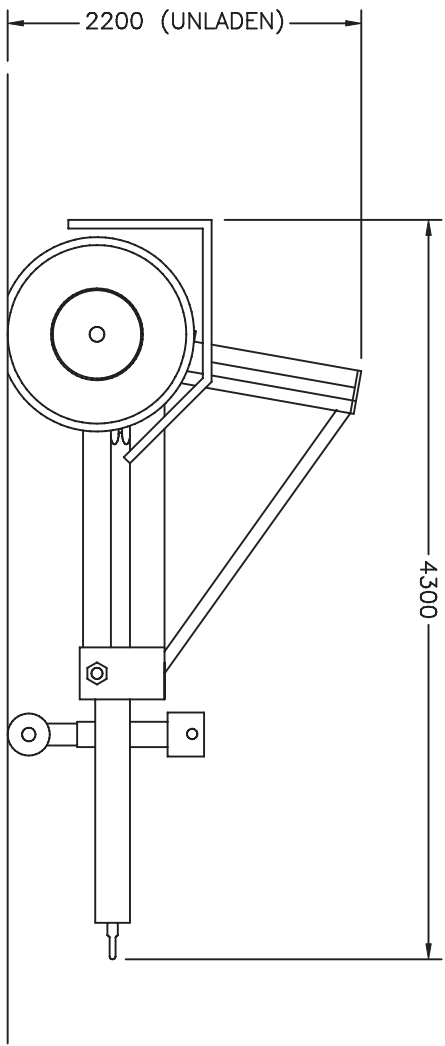


ALL DIMENSIONS IN mm U.O.S. DO NOT SCALE DRAWING ALL DIMENSIONS ±1mm U.O.S.



SITE SPECIFICATION

GROSS WEIGHT	-	12500	KG
UNLADEN WEIGHT	-	2500	KG
DRAWBAR LOAD	-	1000	KG
AXLE WEIGHT	-	11500	KG
CAPACITY	-	10000	KG
TRAILER WIDTH	-	2550	mm
MAX DRUM DIA	-	3450	mm
MIN DRUM DIA	-	1500	mm
MAX DRUM WIDTH	-	2000	mm
TOWING HEIGHT	-	600	mm (LADEN)
TOWING EYE	-	76	mm
SPINDLE DIA	-	89	mm
ELECTRICS	-	ROAD GOING	NON EEC
TYRES	-	2 LINE AIR	
BRAKES	-	12.00 X 20	
SPEED	-	15	Kmh
MUDGUARDS	-	STEEL FABRICATED	
DRUM LIFT	-	HYDRAULIC WITH MANUAL LOCK	
FINISH	-	2 COAT COMMERCIAL	

REV	DESCRIPTION	DATE	REV	DESCRIPTION	DATE	DATE	05/03/2008	TITLE
						SCALE	1=30	CDT 10.0 PROPOSED G.A.
						NAME		DRG No. CDT 10.0/001