



# TRAILER MANUAL



## MODEL **CDT7.45 CABLE DRUM TRAILER**

## WELCOME TO YOUR NEW CDT 7.45 SITE CABLE DRUM TRAILER

This trailer is suitable for the loading and transportation of circular drums/cable reels with maximum sizes and weights as described below  
Once on site, a further function of the unit is to assist in the reeling/unreeling of the payload i.e. power cable, telecoms cable, hose or pipe.

### Trailer specification

Gross weight	-	8800 kgs
Capacity at full drum width	-	7450 kgs
Drum diameter max	-	3100 mm
Drum diameter min	-	1350 mm
Drum width	-	1490 mm
Trailer width	-	2550 mm
Tyre size	-	11.00 R22.5
Towing speed (max)	-	25 kmh

It is very important that a few basic checks are carried out on receipt of your new trailer and also whilst it is in service

Wheel nut tension (335 lb/ft)  
Tyre pressures (125 psi)  
Braking system  
Electrical system  
General condition

It is the driver's responsibility to ensure the vehicle is capable of towing the trailer and that the trailer it is in road worthy condition. (See pre use check list page CDT 7.45-3)

# Operating instructions

## Safety

Ensure only trained personnel operate the trailer  
Ensure that the safety of yourself and others is observed at all times.

## Loading a cable drum

1. Remove the 'R' clips from spindle retaining angles and then remove from the trailer (ref CDT7.45-6)
2. Remove spindle bar from trailer, place it through the cable drum ensuring it is central to the spindle and then lock in position with spindle collars provided
3. Using the correct manual handling techniques manoeuvre the trailer around drum or push the drum into the trailer
4. It may be necessary to pump up the slides to allow spindle bar to locate into the correct position
5. When spindle is located into slides apply the park brake
6. Replace retaining angles and clips
7. Lower and secure rear prop stands
8. Close hydraulic release valve on hand pump (ref CDT7.45-7)
9. Pump handle up and down to lift cable drum into travelling position
10. It may be necessary to adjust the hydraulic control valve located behind hand pump to maintain a level lift (ref CDT7.45-7)
11. Once slides are at maximum lift rotate locking plates through 90deg (ref CDT7.45-6)
12. Release hydraulic pressure by opening the hydraulic release valve to engage the mechanical locks, once engaged close the hydraulic release valve thus creating a secondary lock. Always ensure the locks are located in the slotted seat.
13. Lift and secure prop stands
14. Hitch trailer to towing vehicle
15. Connect and test electrics

## Unloading a cable drum

1. Lower and secure prop stands
2. Pump handle up and down to lift slides and release the mechanical locks
3. Once slides are at maximum lift rotate locking plates through 90deg
4. Release hydraulic pressure to allow the drum to descend
5. It may be necessary to adjust hydraulic control valve located behind hand pump to maintain a level descent
6. Once cable drum is on the ground remove clip from spindle retaining angle and then lift off the retaining angle
7. Using the correct manual handling techniques manoeuvre the trailer from around drum
8. Replace retaining angle and clips
9. lift and secure prop stands

## Trailer Pre Use Check List

It is important to note that it is the responsibility of the driver to ensure that a trailer is road worthy, that the load is safe and is suitable to be towed by a specific prime mover.

Before taking the trailer out on the highway, carry out the following simple checks.

1. Ensure (by checking the vehicle vin plate or handbook) that the prime mover and towbar are capable of towing the gross vehicle weight of the trailer (found on the trailer spec plate).
2. Check the brake operation and linkage.
3. Connect the electrical cable and check all the lighting functions.
4. Check tyre tread, tyre pressure (125 psi) and general wheel/tyre condition.
5. Check wheel nut torque weekly (335 lb/ft).
6. Check condition of drum spindle and ensure locking collars are fitted.
7. Check condition of spindle retaining angles and ensure all securing 'R' clips are fitted.
8. Ensure the drum frames are raised and locked in position and lock plates are seated in slotted seat.
9. Carry out a visual inspection for general condition and wear.

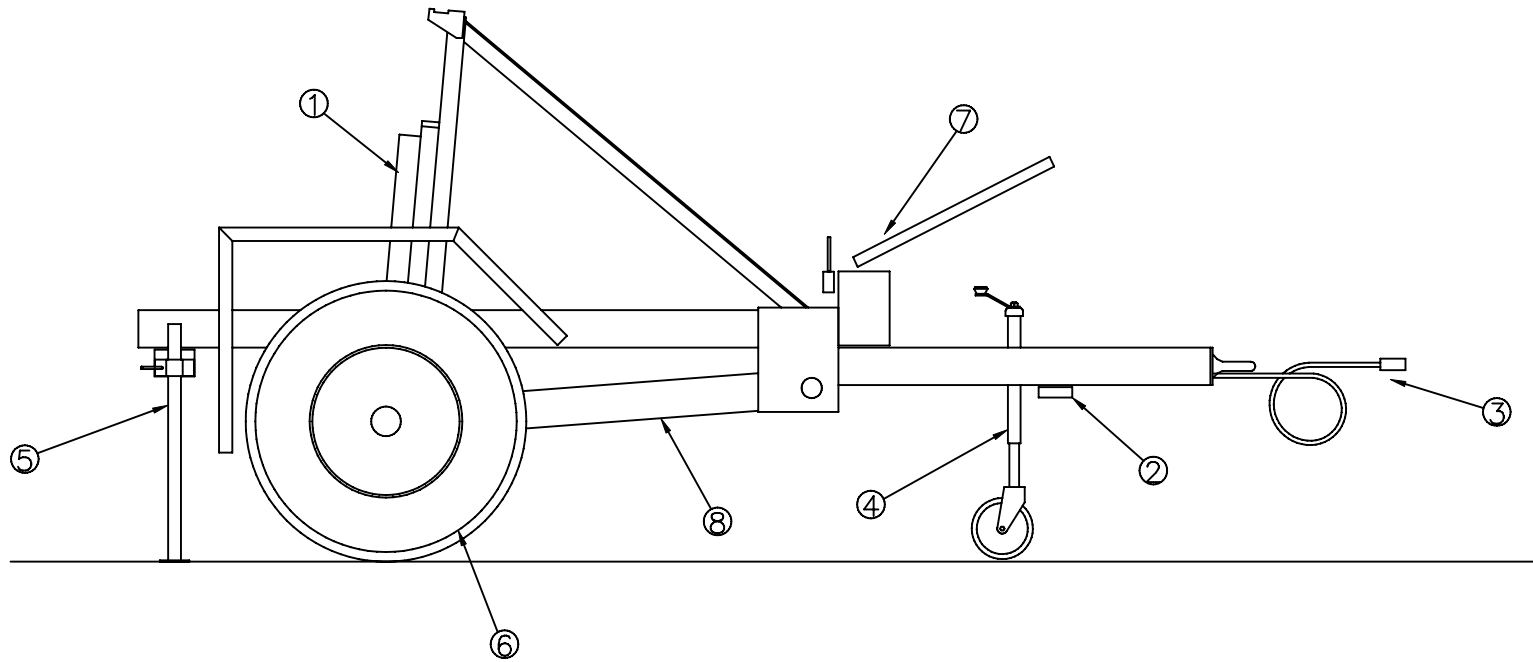
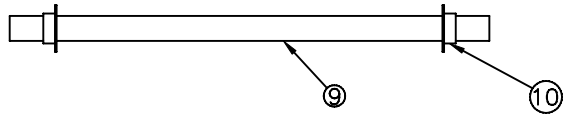
## Recommended maintenance

On delivery of your new cable drum trailer and during its service life we recommend regular checks are carried out on the following

	Daily	Monthly	Yearly
a) Visual inspection of general condition			
b) Check hand brake operation			
c) Check tyre pressure			
d) Check electrical system (i.e. light bulbs, plug)			
e) Check hydraulic circuit for leaks			
f) Check brake lining adjustment			
g) Remove play from brake system			
h) Check wheel nut torque			
i) Check brake cam lever operation			
j) Check suspension rubbers			
k) Check wheel arm adjustment			
l) Grease all points			
m) Wheel bearings			
n) Full service			

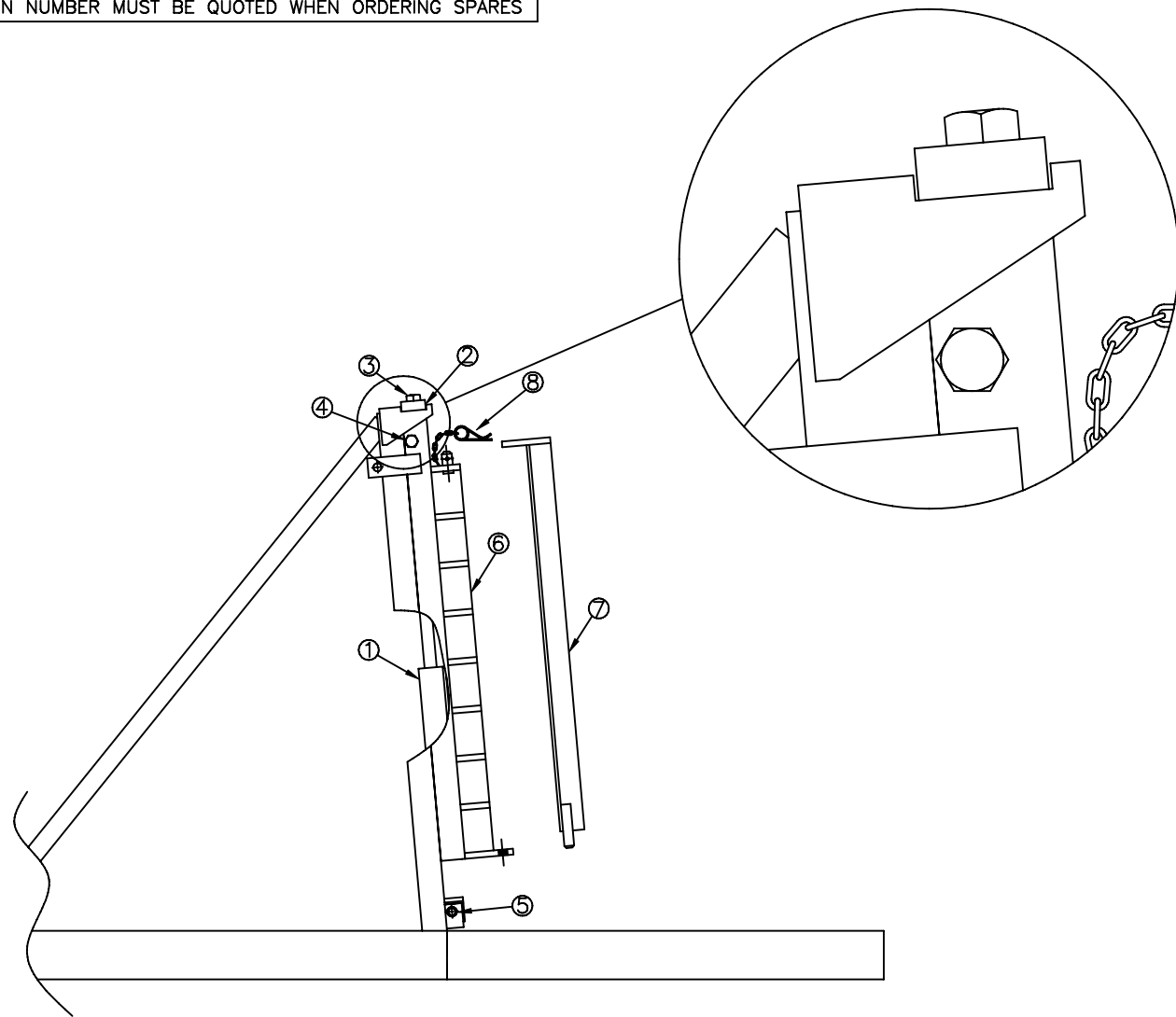
TRAILER VIN NUMBER MUST BE QUOTED WHEN ORDERING SPARES

PARTS LIST	
ITEM	DESCRIPTION
1	SLIDING CHEVRONS
2	HANDBRAKE
3	ELECTRICAL SYSTEM
4	JOCKEY WHEEL
5	PROP STANDS
6	WHEEL & TYRE
7	HYDRAULIC SYSTEM
8	WHEEL ARM
9	SPINDLE
10	SPINDLE COLLAR



								DATE	20/6/2008	TITLE	GENERAL ARRANGEMENT
								SCALE	N.T.S.		
REF	ISSUE LEVEL	DATE	REF	ISSUE LEVEL	DATE	REF	ISSUE LEVEL	DATE	NAME	S.LAWSON	DRG No. CDT 7.45 - 5

TRAILER VIN NUMBER MUST BE QUOTED WHEN ORDERING SPARES

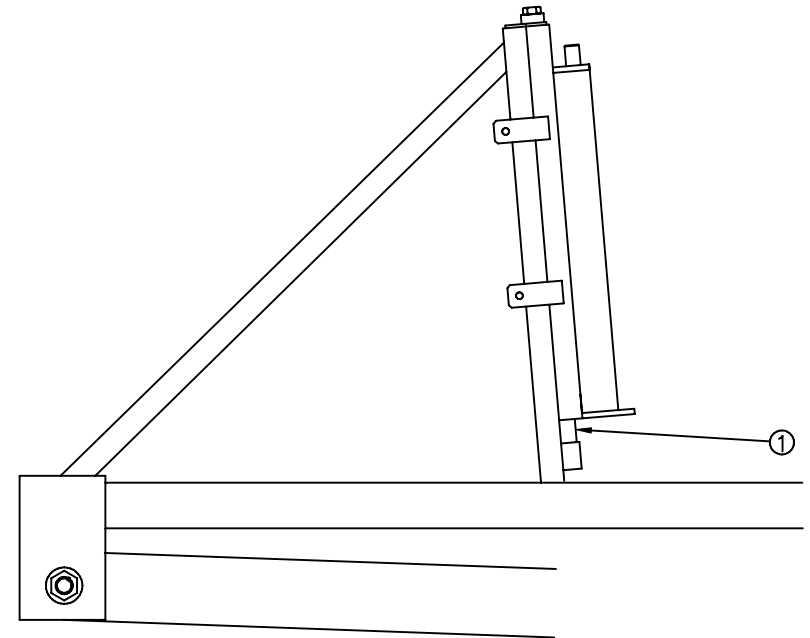
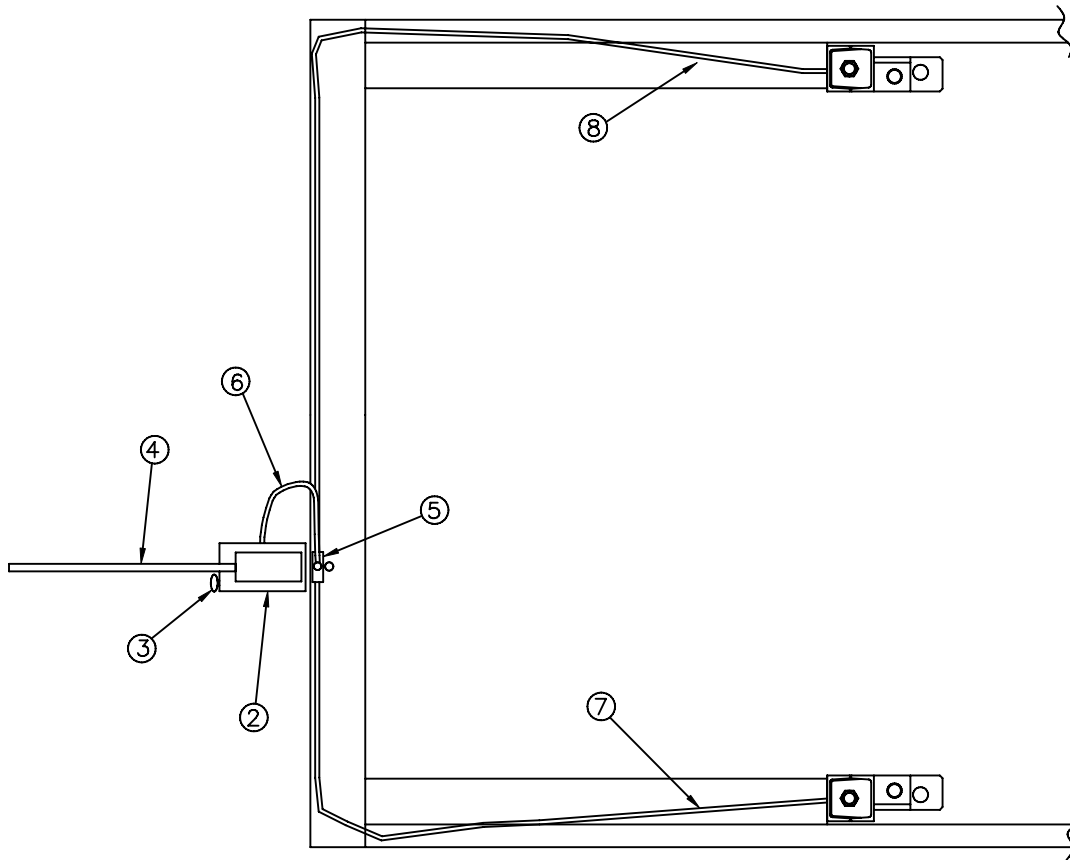


PARTS LIST	
ITEM	DESCRIPTION
1	HYDRAULIC RAM
2	MECHANICAL LOCK
3	MECHANICAL LOCK BOLT
4	HYDRAULIC RAM TOP BOLT
5	HYDRAULIC RAM BOTTOM BOLT
6	SLIDE
7	SPINDLE RETAINING ANGLE
8	RETAINING 'R' CLIP
9	SLIDE RETAILING BOLT

								DATE	20/6/2008	TITLE	LIFT FRAME DETAIL
								SCALE	N.T.S.		
REF	ISSUE LEVEL	DATE	REF	ISSUE LEVEL	DATE	REF	ISSUE LEVEL	DATE	NAME	S.LAWSON	DRG No. CDT 7.45 - 6

TRAILER VIN NUMBER MUST BE QUOTED WHEN ORDERING SPARES

PARTS LIST	
ITEM	DESCRIPTION
1	HYDRAULIC RAM
2	PUMP
3	RELEASE VALVE
4	PUMP HANDLE
5	HYDRAULIC CONTROL VALVE
6	PUMP TO VALVE HOSE
7	NEARSIDE RAM HOSE
8	OFFSIDE RAM HOSE

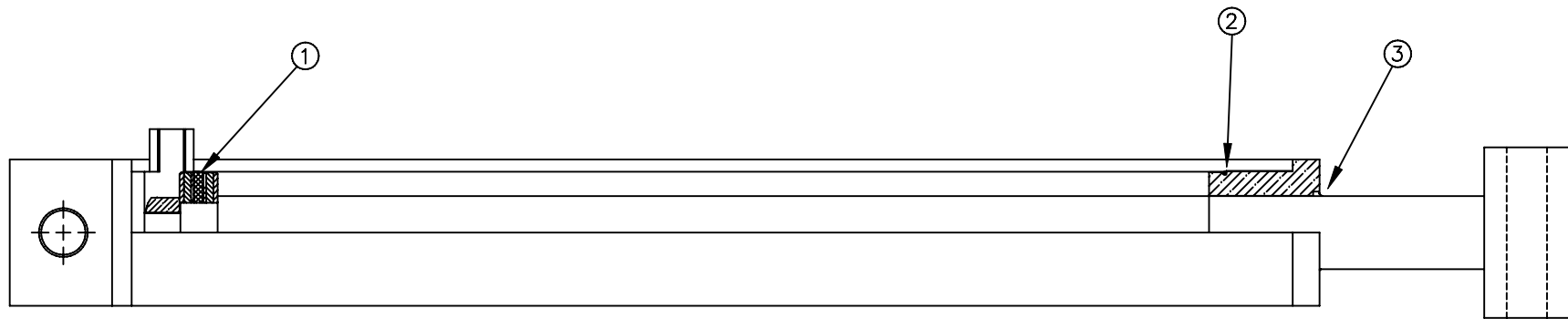


								DATE	20/6/2008	TITLE	HYDRAULIC SYSTEM
								SCALE	N.T.S.		
REF	ISSUE LEVEL	DATE	REF	ISSUE LEVEL	DATE	REF	ISSUE LEVEL	DATE	NAME	S.LAWSON	DRG No. CDT 7.45 - 7



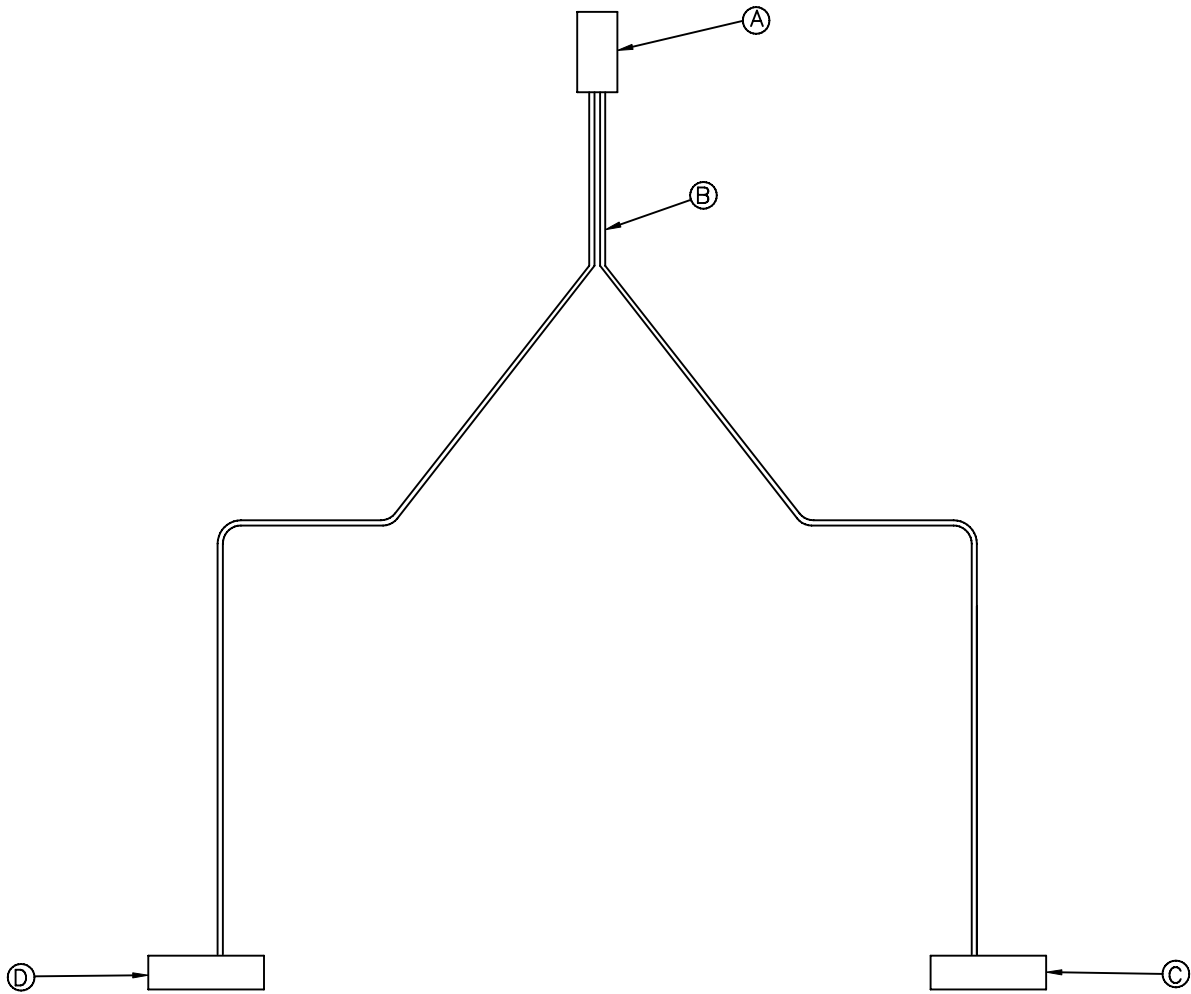
TRAILER VIN NUMBER MUST BE QUOTED WHEN ORDERING SPARE PARTS

PARTS LIST	
ITEM	DESCRIPTION
1	PISTON SEAL
2	GLAND SEAL
3	WIPER SEAL



								DATE	20/6/2008	TITLE	HYDRAULIC RAM DETAIL
								SCALE	1=3		
REF	ISSUE LEVEL	DATE	REF	ISSUE LEVEL	DATE	REF	ISSUE LEVEL	DATE	NAME	S.LAWSON	DRG No. CDT 7.45 - 8

TRAILER VIN NUMBER MUST BE QUOTED WHEN ORDERING SPARES



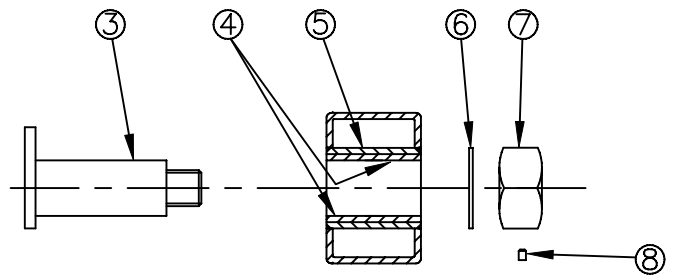
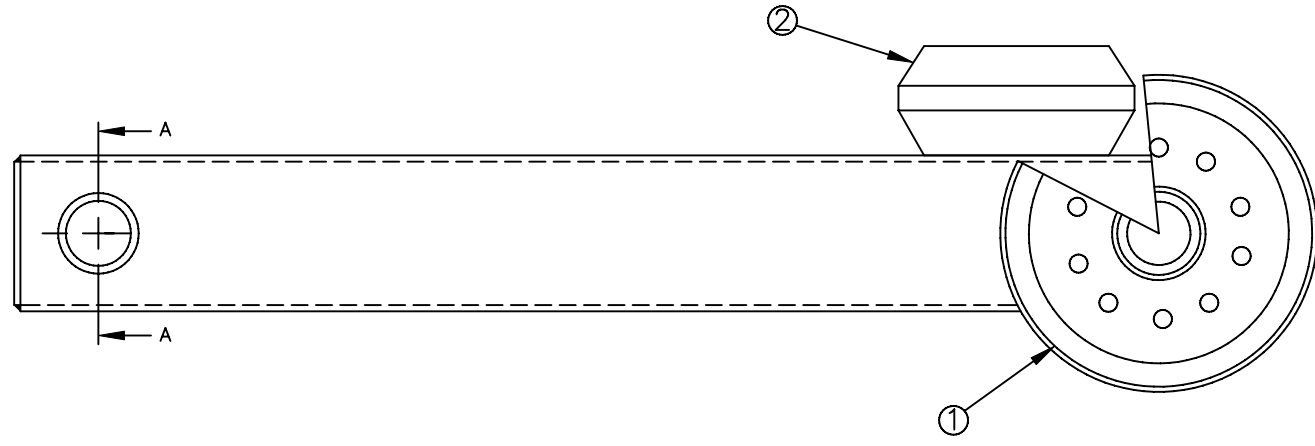
PARTS LIST	
ITEM	DESCRIPTION
A	7 PIN PLUG
B	MAIN LOOM
C	O/S LIGHT
D	N/S LIGHT

PLUG KEY		
1	YELLOW	- N/S INDICATOR
2	BLUE	- FOG
3	WHITE	- EARTH
4	GREEN	- OFFSIDE INDICATOR
5	BROWN	- O/S TAIL
6	RED	- STOP
7	BLACK	- N/S TAIL

								DATE	20/6/2008	TITLE	ELECTRICAL SYSTEM
								SCALE	N.T.S.		
REF	ISSUE LEVEL	DATE	REF	ISSUE LEVEL	DATE	REF	ISSUE LEVEL	DATE	NAME	S.LAWSON	DRG No. CDT 7.45 - 9

TRAILER VIN NUMBER MUST BE QUOTED WHEN ORDERING SPARES

PARTS LIST	
ITEM	DESCRIPTION
1	HUB & BRAKE ASSY
2	RUBBER SUSPENSION
3	PIVOT PIN
4	PIVOT BUSH (OILITE)
5	PIVOT BOSS
6	WASHER
7	NUT
8	GRUB SCREW

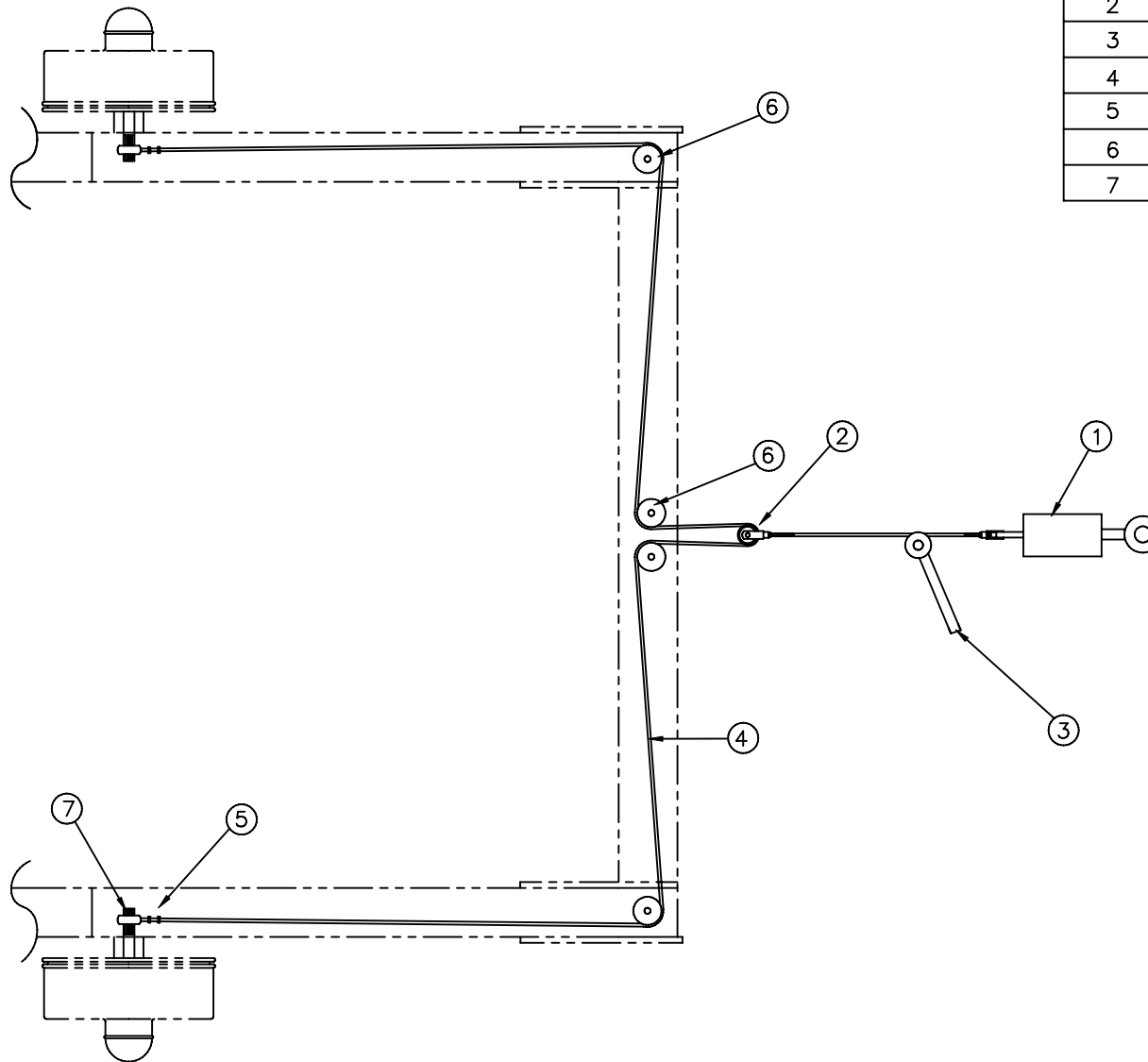


SECTION 'A'-'A'

								DATE	20/6/2008	TITLE	WHEEL ARM DETAIL
								SCALE	N.T.S.		
REF	ISSUE LEVEL	DATE	REF	ISSUE LEVEL	DATE	REF	ISSUE LEVEL	NAME	S.LAWSON	DRG No.	CDT 7.45 - 10

TRAILER VIN NUMBER MUST BE QUOTED WHEN ORDERING SPARES

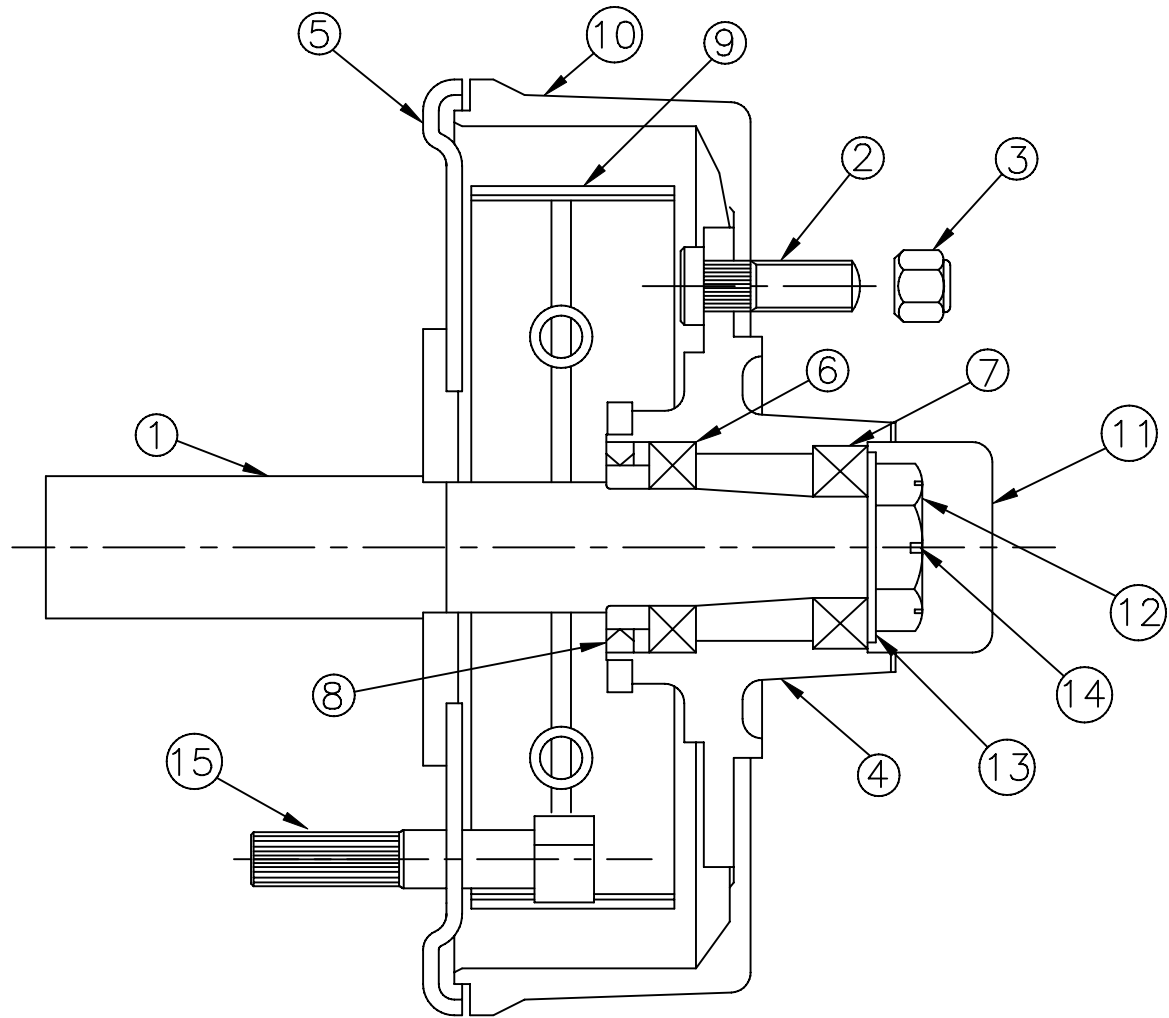
PARTS LIST	
ITEM	DESCRIPTION
1	TOW UNIT
2	BALANCE PULLEY AND CLEVIS
3	HANDBRAKE
4	WIRE ROPE
5	THIMBLE & GRIPS
6	BRAKE PULLEY
7	BRAKE CAM LEVER



								DATE	20/6/2008	TITLE	OVERUN BRAKE LAYOUT
								SCALE	N.T.S.		
REF	ISSUE LEVEL	DATE	REF	ISSUE LEVEL	DATE	REF	ISSUE LEVEL	NAME	S.LAWSON	DRG No.	CDT 7.45 - 11

TRAILER VIN NUMBER MUST BE QUOTED WHEN ORDERING SPARES

PARTS LIST



ITEM	DESCRIPTION
1	STUB AXLE
2	WHEEL STUD
3	WHEEL NUT
4	HUB
5	BACK PLATE
6	INNER BEARING
7	OUTER BEARING
8	OIL SEAL
9	BRAKE SHOES
10	BRAKE DRUM
11	HUB CAP
12	AXLE NUT
13	AXLE WASHER
14	SPLIT PIN
15	CAM SHAFT

								DATE	20/6/2008	TITLE	HUB DETAIL
								SCALE	N.T.S.		
REF	ISSUE LEVEL	DATE	REF	ISSUE LEVEL	DATE	REF	ISSUE LEVEL	DATE	NAME	S.LAWSON	DRG No. CDT 7.45 - 12