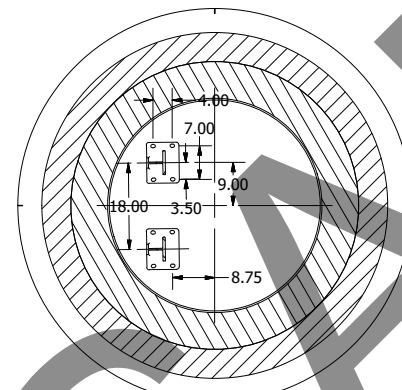
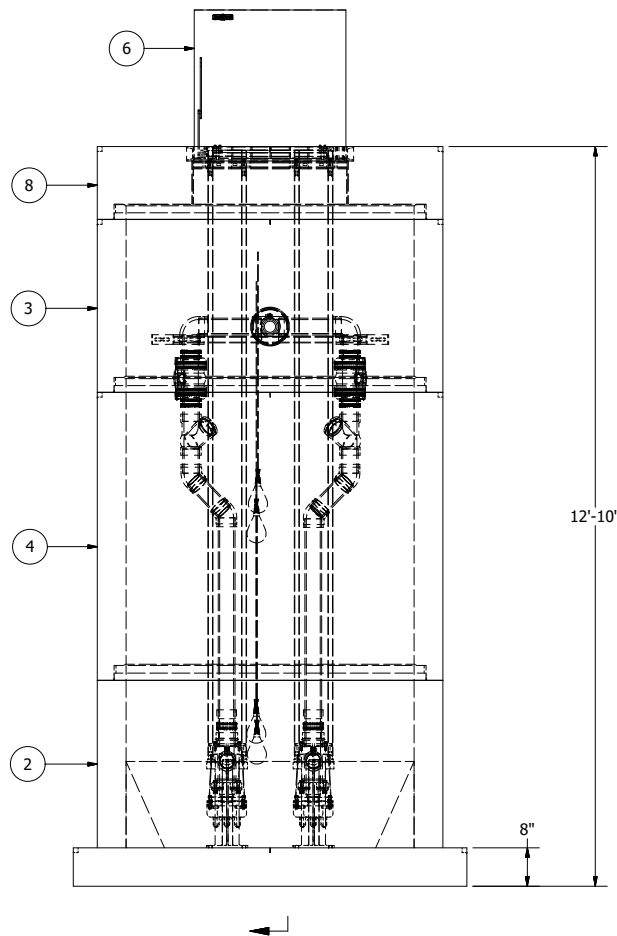


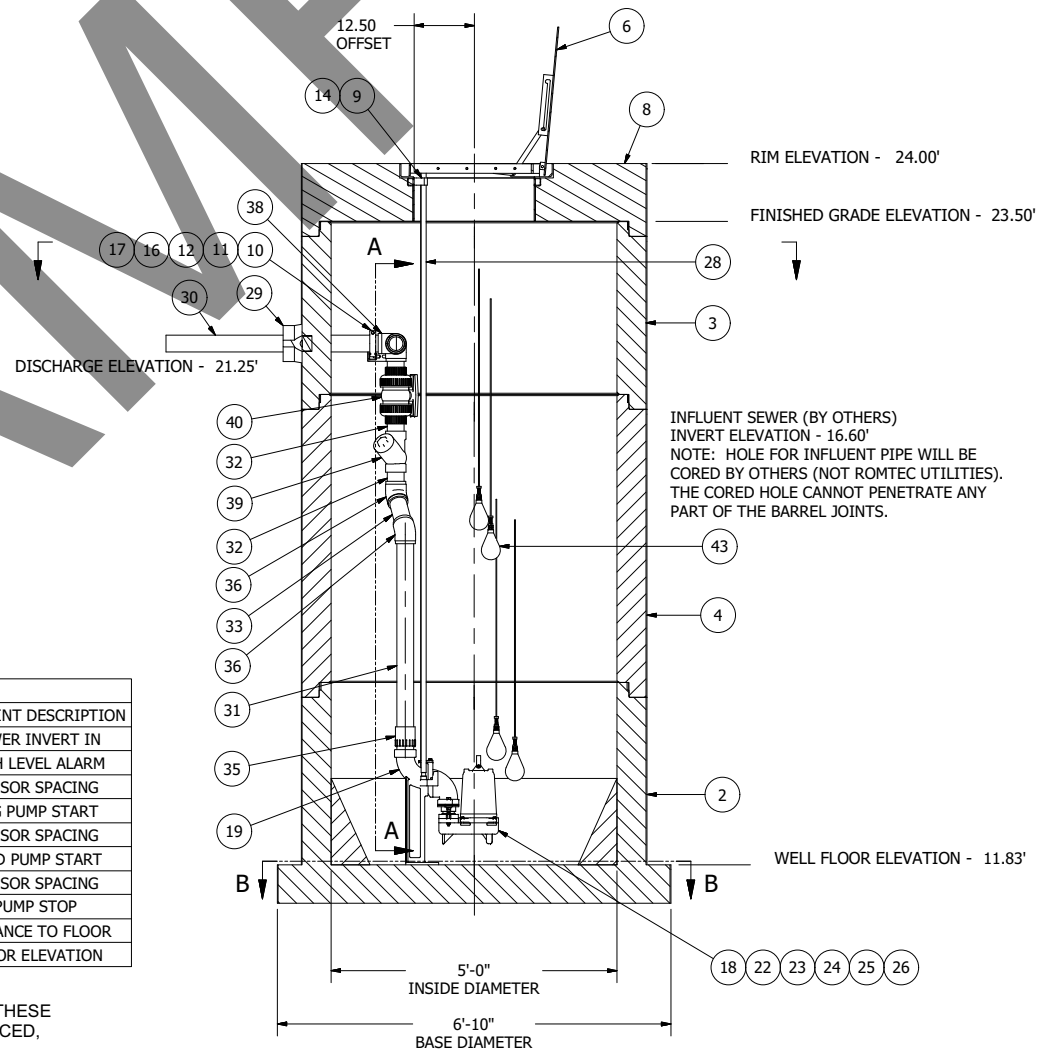
**NOTE: WET WELL TOP SLAB IS PEDESTRIAN RATED**



**SECTION B-B  
ANCHOR BOLT PATTERN**

SENSOR AND ELEVATION TABLE		
LEVEL ELEVATION	DISTANCE BETWEEN POINTS	SET POINT DESCRIPTION
16.60		SEWER INVERT IN
15.83		HIGH LEVEL ALARM
15.33	0.50	SENSOR SPACING
15.33		LAG PUMP START
14.83	0.50	SENSOR SPACING
14.83		LEAD PUMP START
13.33	1.50	SENSOR SPACING
13.33		PUMP STOP
11.83	1.50	DISTANCE TO FLOOR
11.83		FLOOR ELEVATION

© 2010 ROMTEC INC. ALL RIGHTS RESERVED. THESE PLANS AND DRAWINGS MAY NOT BE REPRODUCED, ADAPTED, OR FURTHER DISTRIBUTED, AND NO COMPONENTS MAY BE CONSTRUCTED FROM THESE PLANS, WITHOUT WRITTEN PERMISSION OF ROMTEC, INC.



NOTE: ALL DIMENSIONS AND ELEVATIONS SHOWN ARE NOMINAL DIMENSIONS. IT IS THE RESPONSIBILITY OF THE ON-SITE CONTRACTOR OR ROMTEC UTILITIES CUSTOMER (NOT ROMTEC UTILITIES) TO VERIFY THE ACCURACY OF ANY CRITICAL DIMENSIONS OR ELEVATIONS PRIOR TO SETTING OR INSTALLING ANY EQUIPMENT.

**5' DIAMETER WET WELL  
3" DISCHARGE PIPING  
GOULDS PUMPS**

ALL MATERIALS SHOWN ON THIS SHEET WILL BE SUPPLIED BY ROMTEC UTILITIES AND DELIVERED TO THE SITE AFTER THE HOLE HAS BEEN EXCAVATED AND SHORED. THE CONTRACTOR SHALL SUPPLY A CRANE OF SUFFICIENT SIZE TO LOWER ALL THE CONCRETE PIECES INTO THE HOLE SAFELY. THE CONTRACTOR SHALL INSTALL THE WET WELL (AND VALVE VAULT AND METERING VAULT IF APPLICABLE). ROMTEC UTILITIES WILL PROVIDE A REPRESENTATIVE FOR TECHNICAL ASSISTANCE ON THE DAY OF INSTALLATION TO ANSWER ANY QUESTIONS THAT MAY ARISE. THE CONTRACTOR IS RESPONSIBLE FOR ALL PLUMBING AND ELECTRICAL CONNECTIONS AND INSTALLATION. ITEMS NOTED AS "BY OTHERS" WILL BE PROVIDED AND INSTALLED BY THE CONTRACTOR. ROMTEC UTILITIES WILL NOT INSTALL ANY OF THE COMPONENTS SHOWN ON THIS PAGE.

VERIFY SCALE  
BAR IS ONE INCH ON ORIGINAL DRAWING  
1"  
IF NOT ONE INCH ON THIS SHEET, ADJUST SIZES PROPORTIONALLY  
0

**COMPONENT DRAWING**

**ROMTEC UTILITIES**  
18240 NORTH BANK ROAD  
ROSEBURG, OREGON 97470  
(541) 496-9678  
FAX (541) 496-0804

DEPT HOMELAND  
MIKE COGSWELL  
**BUILDING 201**  
**3" - 5' DIA WET WELL**

SHEET  
**1 OF 1**  
JOB NUMBER  
**RMTC 0000**

REV	DESCRIPTION	DATE	APPROV
3	UPDATED WITH BALL VALVES	08/31/10	AM
2	UPDATE FOR LAUNCH DOCS	8-23-10	AD
1	COMPONENT DRAWING	06/29/10	AM