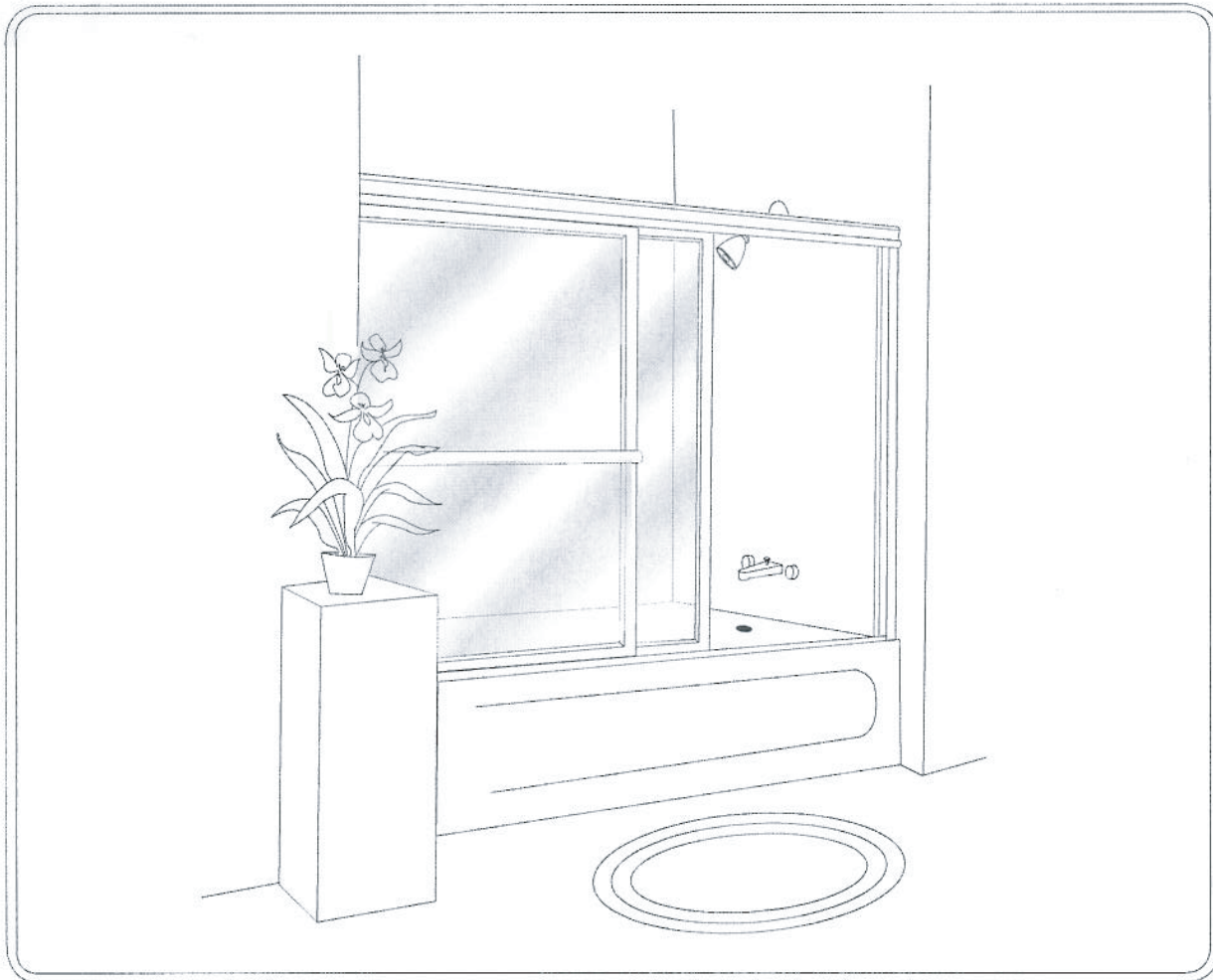


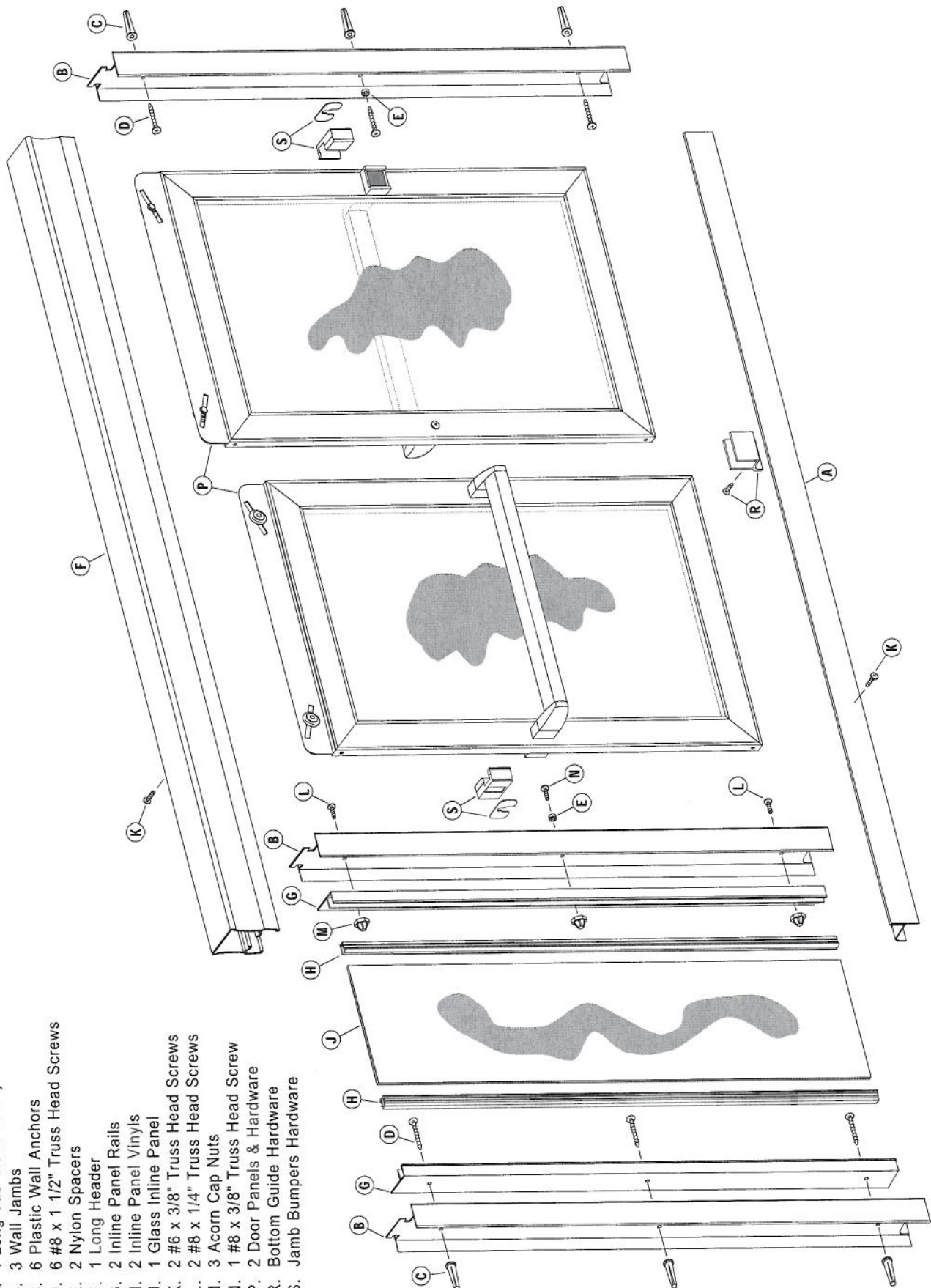
Instruction supplement

This Side Panel is designed to be installed
with a bi-pass tub or shower unit.



PARTS LIST

- A. 1 Long Tub Track w/Vinyl
- B. 3 Wall Jamb
- C. 6 Plastic Wall Anchors
- D. 6 #8 x 1 1/2" Truss Head Screws
- E. 2 Nylon Spacers
- F. 1 Long Header
- G. 2 Inline Panel Rails
- H. 2 Inline Panel Vinyls
- J. 1 Glass Inline Panel
- K. 2 #6 x 3/8" Truss Head Screws
- L. 2 #8 x 1/4" Truss Head Screws
- M. 3 Acorn Cap Nuts
- N. 1 #8 x 3/8" Truss Head Screw
- P. 2 Door Panels & Hardware
- R. Bottom Guide Hardware
- S. Jamb Bumpers Hardware

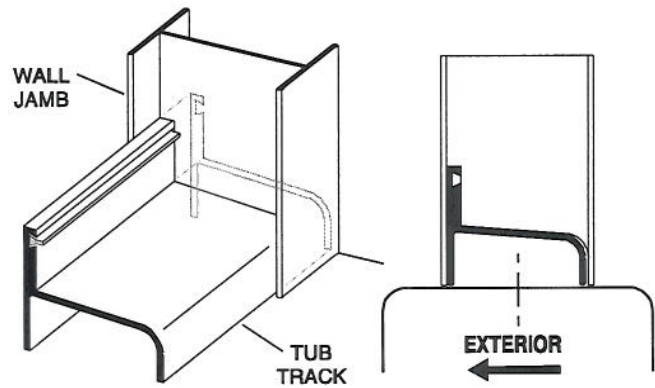


1

Measure the wall-to-wall opening at the center of the tub rim or shower sill. Cut the tub track [A] 1/16" short of this dimension.

Position the tub track in the center of the tub rim with the tall leg to the exterior. It may be necessary to file a radius on the ends of the tub track and wall jambs to match the corners of the enclosure.

Press two wall jambs [B] into position over the ends of the tub track. Masking tape can be used to hold the parts in place temporarily.

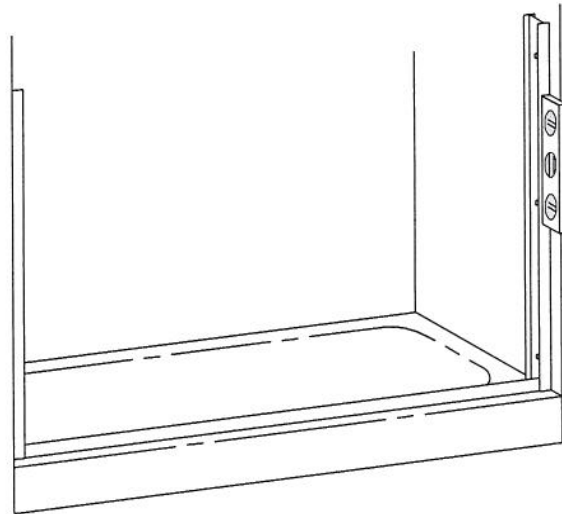


2

Use a level to plumb both wall jambs [B], then mark the pre-drilled hole locations on the wall. Lightly mark along both sides of the tub track [A] with a pencil, then remove all parts.

For tile or marble walls, drill six 3/16" diameter holes and insert the plastic wall anchors [C]. Attachments to fiberglass or acrylic units can be made in two ways. If a reinforcement is built into the wall of unit, drill six 1/8" holes to install mounting screws directly into the reinforcement. If walls are not reinforced, drill six 3/16" holes and install plastic wall anchors or toggle bolts (toggle bolts not supplied by Alumax).

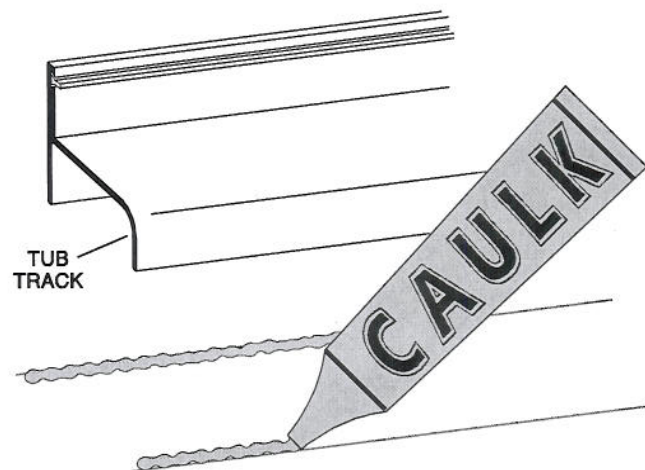
CAUTION: The track should never be screwed to the tub. This will damage the tub and cause leakage.



3

Before replacing the tub track [A], force a slight downward bow in the extrusion. This will ensure the track fits tight to the tub. Run two beads of caulk inside the penciled marks on the tub rim. Place the tub track in the exact position marked in Step #2 and seat it firmly in the caulking.

NOTE: Improper caulking will result in leaks.

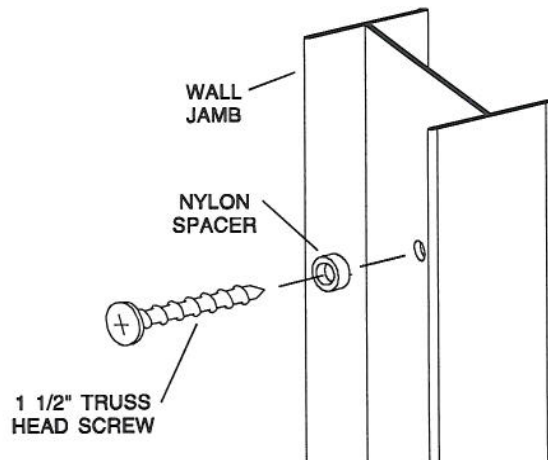


4

Place one of the wall jambs [B] against the wall opposite the inline panel (the door opening side) and attach with two #8 x 1 1/2" truss head screws [D] inserted through the top and bottom holes. Slip a nylon spacer [E] over a #8 x 1 1/2" truss head screw and install in the center hole of the wall jamb. Check jamb for plumb and tighten screws. Set a wall jamb into place against the opposite wall and attach temporarily with tape.

NOTE: Frameless units will use two jamb bumpers per side located on the top and bottom mounting screws.

NOTE: Do not overtighten the jamb screws.

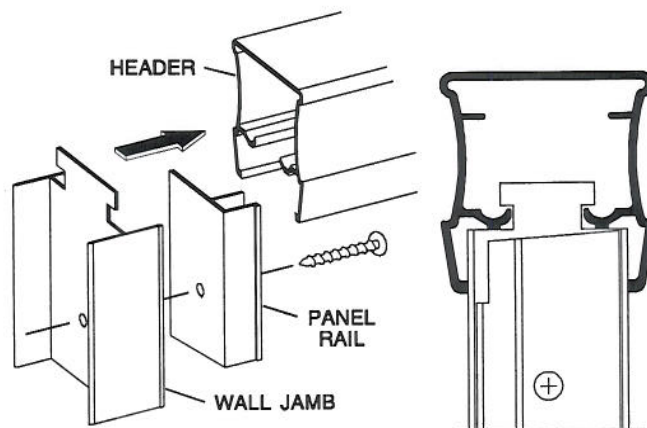


5

Measure the wall-to-wall opening at the top of the wall jambs [B] and cut the header [F] 1/16" short of this dimension. Check the header for fit.

Slide the safety tee-lock of the second wall jamb into the end of the header. The header is reversible so that either face may be turned to the exterior of the unit. Holding the header at an angle, engage the other end onto the mounted wall jamb. Pivot the header into place, then slide the loose wall jamb to the wall and press into position on the tub track.

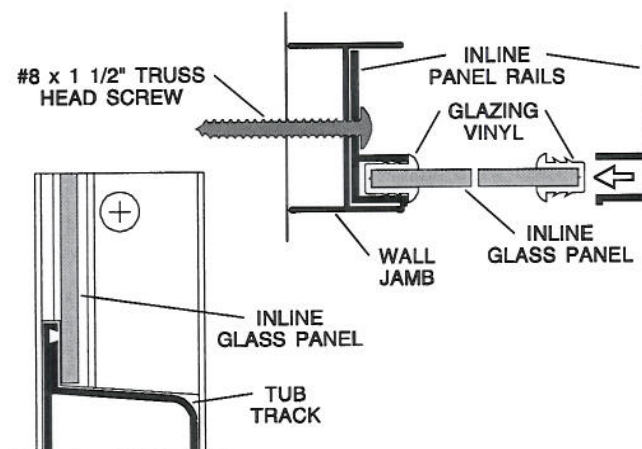
Set one of the inline panel rails [G] into the second wall jamb with the pocket to the exterior. Attach the jamb and inline rail to the wall per instructions in Step #4.



6

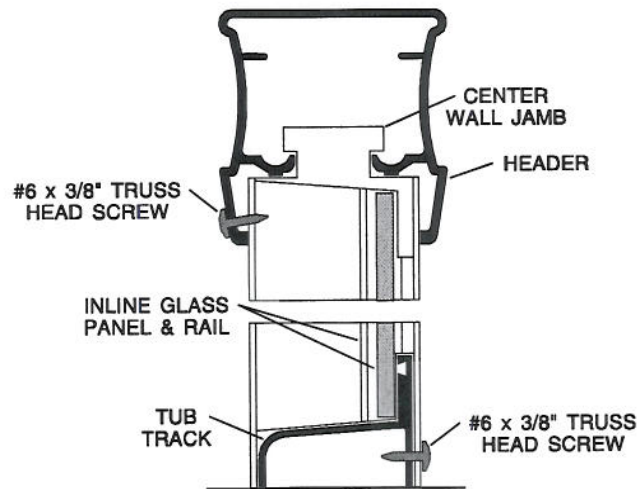
Cut the inline panel vinyls [H] to the length of the long edges of the inline glass panel [J] and press them onto the edges of the panel. Stand the panel upright on the tub track [A] and press it into the mounted inline panel rail [G]. Press the second panel rail over the other edge of the glass panel and vinyl with the bottom of the panel rail flush against the tub track.

Please Note: The in-line panel may come pre-assembled from the factory.



7

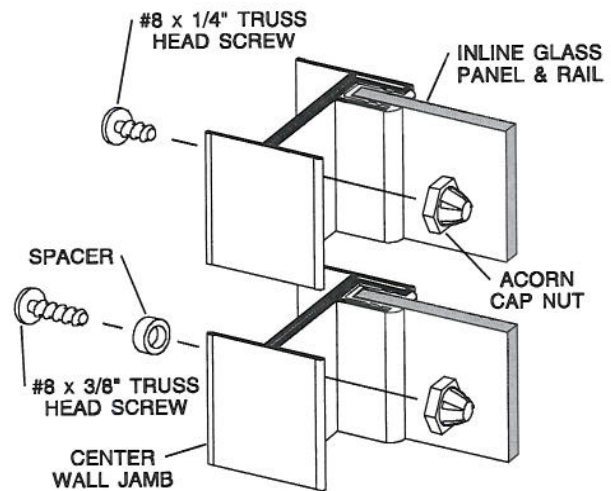
Install the third wall jamb [B] by engaging the upper end into the header [F] and sliding the jamb up against the second inline rail [G]. Plumb the center wall jamb and secure it with a #6 x 3/8" truss head screw [K] thru the exterior face of the tub track [A] and another thru the interior face of the header.



8

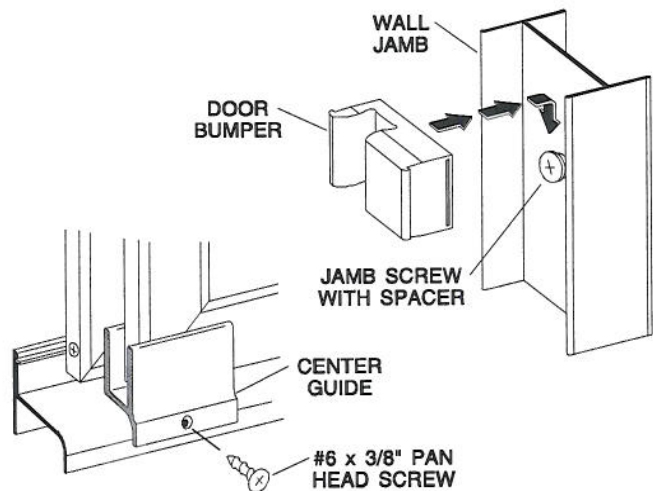
Attach the second inline rail [G] to the center wall jamb [B] with two #8-32 x 1/4" truss head screws [L] thru the top and bottom holes into acorn cap nuts [M] on the inline panel side. Slide a nylon spacer [E] onto a #8-32 x 3/8" truss head screw [N], insert into the center hole and attach an acorn cap nut.

NOTE: Frameless units will use two jamb bumpers per side located on the top and bottom mounting screws.



9

Refer to the primary instruction sheet to assemble and install the door panels [P]. Install the bottom panel guide hardware [R] and the door panel bumper hardware [S] per the primary instruction sheet.



10

Caulk both ends of the tub track [A] where it meets the wall jambs [B] and the interior edge of the wall jambs as shown. Run a bead of caulking along the interior edge of the tub track.

Caulk the interior and exterior sides of the base of the inline panel [J].

NOTE: We recommend that you let the caulk cure for 24 hours before using your new enclosure.

See primary instruction sheet for cleaning instructions.

