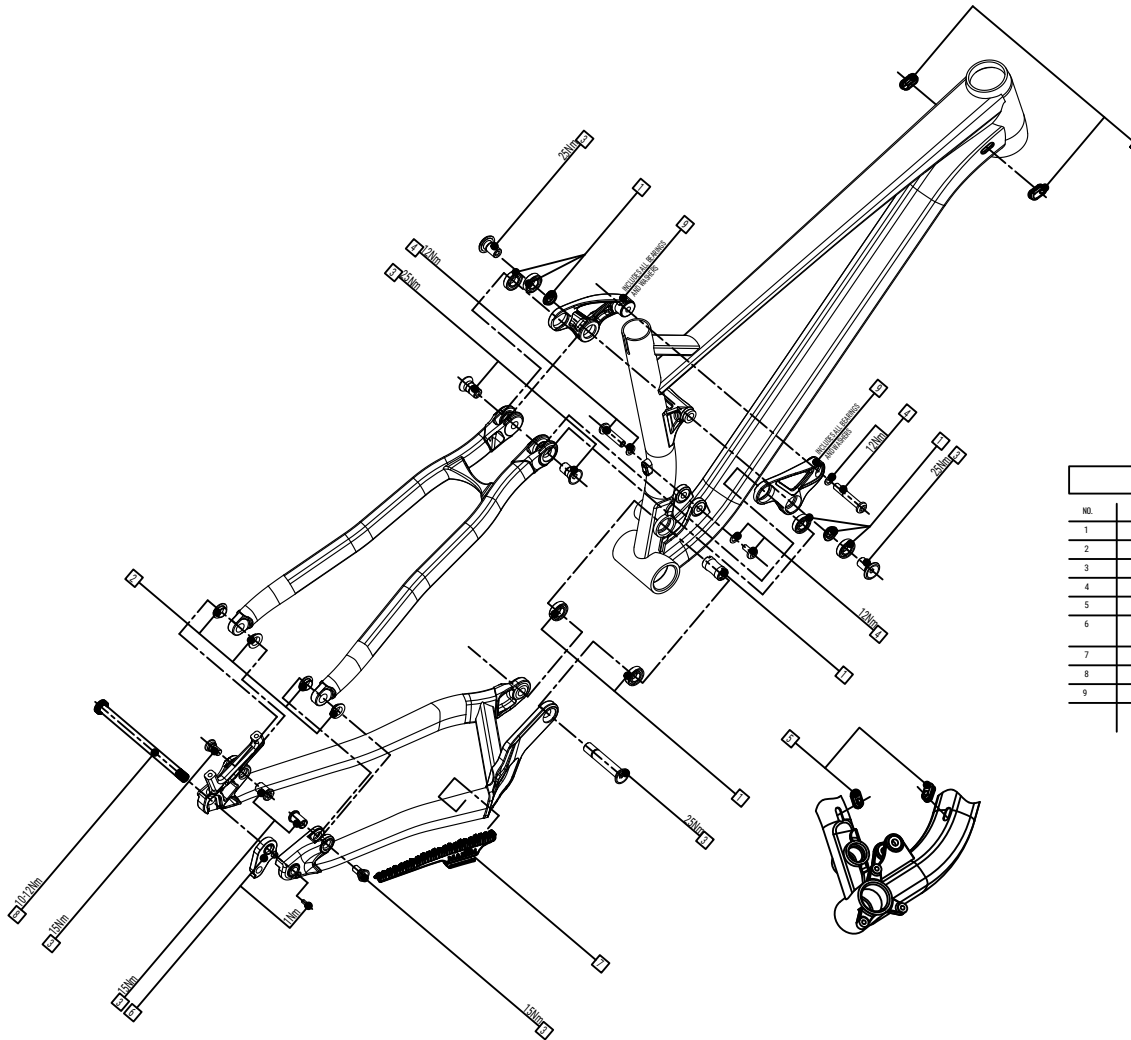


18' HAWK HILL 2, 3

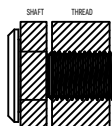


SERVICE PARTS

NO.	ARTICLE CODE	DESCRIPTION	NOTES
1	726902	BEARING KIT A, RUBBER SEALED BEARING 69012RS 12X24X6, QTY 4	
2	726910	3/8 RIGID PLANE BEARING KIT, QTY 4	
3	727260	PIVOT BOLT KIT B	
4	726917	SHOCK BOLT KIT C	
5	726914	INTERNAL CABLE ROUTING RUBBER GROMMET KIT	
6	726295	HANGER #40 AND MOUNTING BOLT (MAX. 7X10MM SOCKET COUNTERSUNK HEAD CAP SCREW)	
7	727272	CS PROTECTOR SERIES 3 ALLOY	DOES NOT COME STOCK BUT IS COMPATIBLE
8	726552	BOLT ON AXLE KIT 148X12MM	AFTERMARKET UPGRADE, REQUIRES NEW HUB
9	726907	ROCKER LINKAGE, MULTITRAC V1	

TECHNICAL DATA

FORK AXLE TO CROWN	DE SPEC: 599MM	MAX: 519MM
REAR WHEEL TRAVEL	120MM	
TIRE COMPATIBILITY	FRONT: 27.5X2.5"	REAR: 27.5X2.5"
HEADSET DIM	UPPER: 25MM	LOWER: 25.56
SHOCK INFO	ECC: 190MM	STROKE: 51MM
SHOCK HARDWARE	UPPER: 22.2XMM	LOWER: 22.2XMM
SEATPOST DIAMETER	33.9MM	
SEAT COLLAR DIAMETER	34.9MM	
CHAINLINE	52.55MM	
REAR BRAKE MOUNT	POST MOUNT 160MM MAX 100MM	
REAR AXLE	148X12MM	
BEARING SPEC	69012RS	12X24X6
	IGUS P/N: JFM121465	12X14X5
		QTY: 6
		QTY: 4



CAUTION

FOR ALL BOLTS SHOWN ON BIKES RECOMMENDED TO APPLY GREASE AND LOC-TIGHT

THE APPLICATION AREA SHOWN AS LEFT
LOC TIGHT ON THREAD AREA ONLY
GREASE ON SHAFT AREA ONLY

FOR THOSE BOLTS WITHOUT SHAFT, LOC-TIGHT NEEDED ONLY.

MARIN

BIKES CALIFORNIA