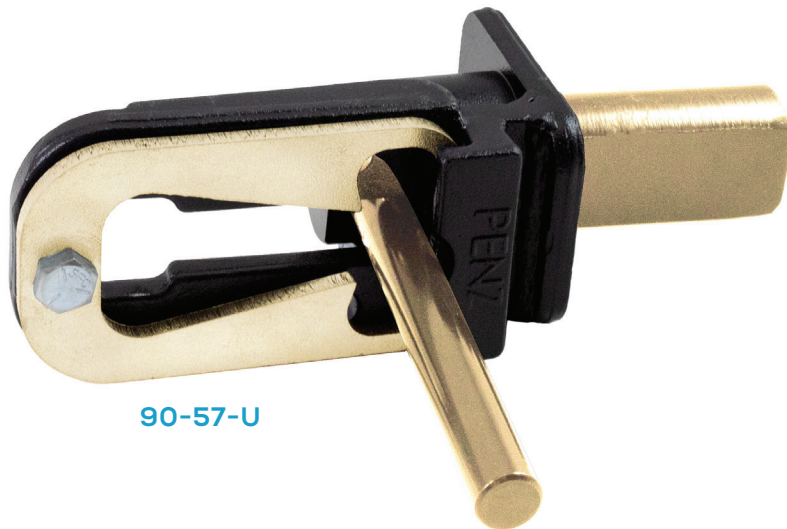


FRONT LOCKING PINS

FOR THE SAFETY & SECURITY OF YOUR PRODUCTS
DURING THE SHIPPING PROCESS



90-57-U

Making a secure front connection to your container is no worry with our front locking pins. **Manufactured using high-quality materials to provide a robust and durable solution** that will continue working for years to come. Available in universal, left or right-handed designs based on latch orientation.

FEATURES & BENEFITS

- Forged and welded housing for high strength and toughness
- Machined 1 ½" locking pin for security and durability
- Gold zinc-plated latch and black E-Coat finish for years of corrosion resistance
- Bolted components for easy repairs

P/N	DESCRIPTION
90-57-U	Front Locking Pin, Universal
90-57-LH	Front Locking Pin, Left-Hand
90-57-RH	Front Locking Pin, Right-Hand



UNIVERSAL DESIGN: No confusion!
1 part, 2 sides, no fuss!



90-57-RH

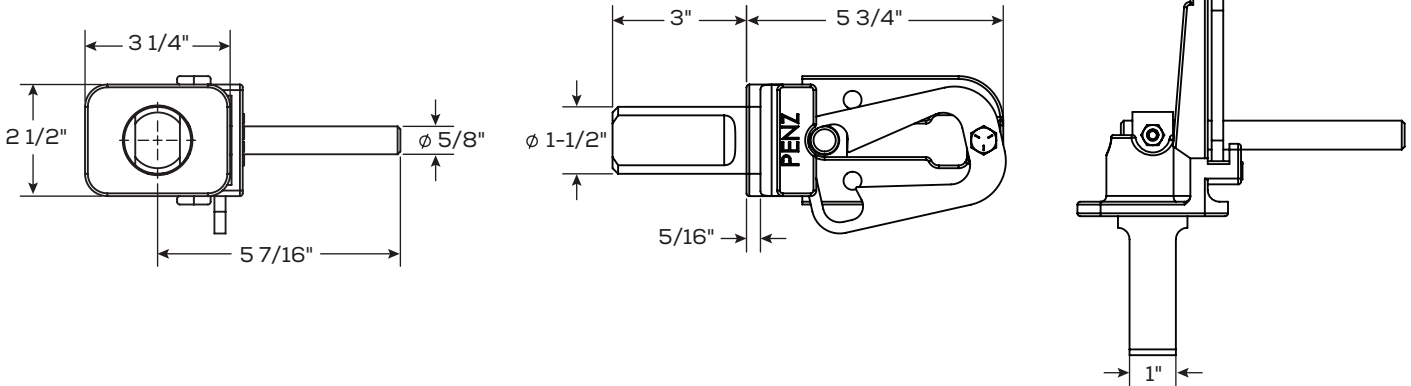


90-57-LH

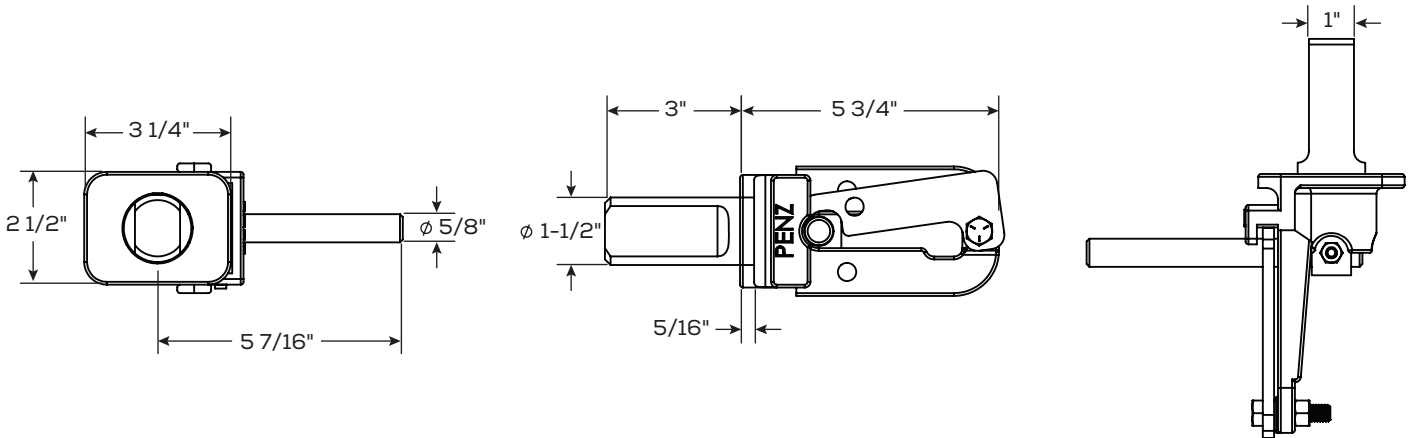
RIGHT OR LEFT-HANDED DESIGN:
Especially helpful when space is at a premium. The latch retains the same footprint as the housing.

FRONT LOCKING PINS | 90-57 SERIES

UNIVERSAL DESIGN | 90-57-U



RIGHT-HANDED DESIGN | 90-57-RH



LEFT-HANDED DESIGN | 90-57-LH

