

RING series

6-0" DIA X 8" X 6" D
50 lbs

SHIPPING / RECEIVING

Fixtures boxed in sections & shipped on 4' x 8' pallets

Customer responsible for receiving & unloading of fixtures

Pallet jack / forklift strongly recommended

Fixtures must be stored indoors in a climate controlled location prior to installation

RESOURCES NEEDED

(2-3) People required for safe & efficient installation

(2) Ladders or scissors lifts

All necessary tools needed for proper wiring of fixture to supply circuits

HANDLING

Fixtures should remain boxed for protection until needed for installation

Fixtures are constructed of durable resin, but must be handled with care

Large fixture components should be handle by a minimum of 2 people

Do not allow fixture components to rest on unpadded surfaces

CLEANING

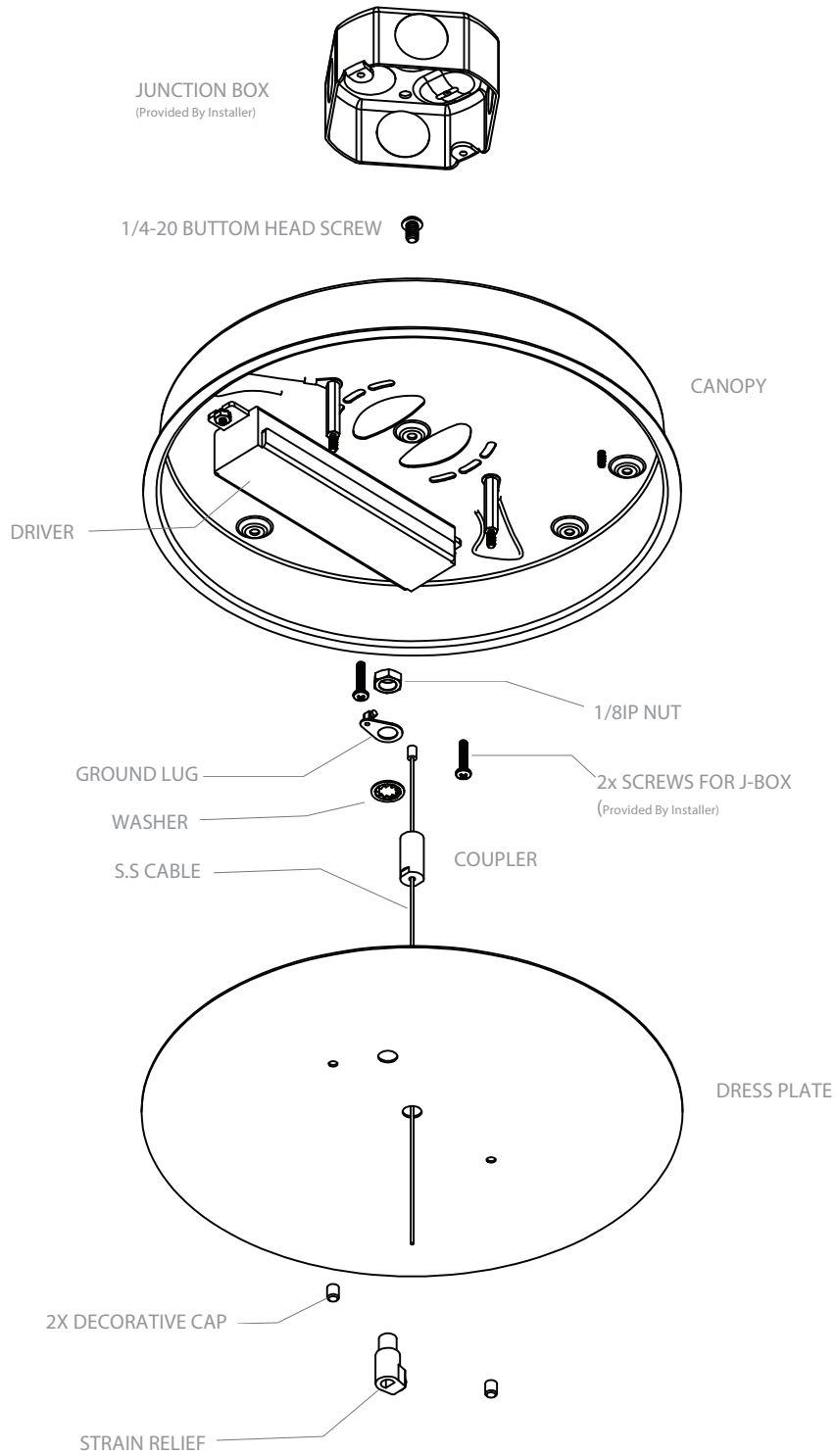
Dust can be removed easily with a swiffer hand held duster

Smudges and other grime can be removed by means of a soft cloth with a small amount of Isopropyl alcohol applied.

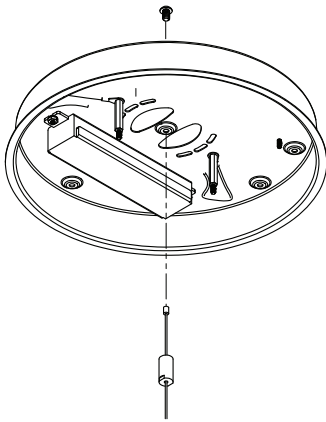
Minor scuffs and scratches can be buffed out of the bottom diffuser by means of a scotch brite pad



PARTS OVERVIEW

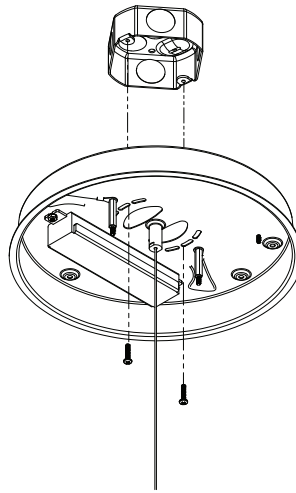


1



Pull S.S cable through coupler and thread coupler onto 1/4-20 Button head cap screw at center hole until coupler is firmly secured against the underside of the canopy

2

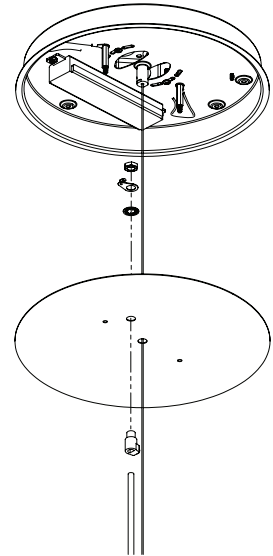


Push the connections and all excess wires into junction box.

Secure canopy to junction box with screws.

WIRING: See wiring instructions and diagrams on pages 15-16 for additional details.

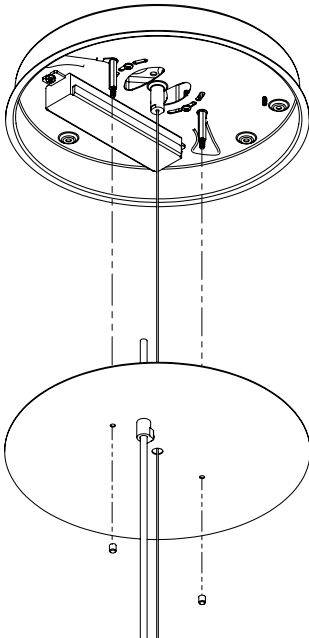
3



Pass enough length of the power cord through Strain Relief and secure strain relief onto the dress plate using washer, ground lug and nut

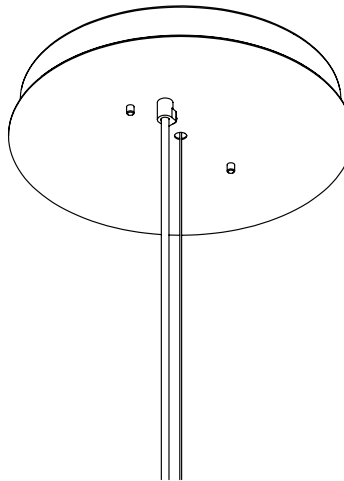
WIRING: See wiring instructions and diagrams on pages 15-16 for additional details.

4



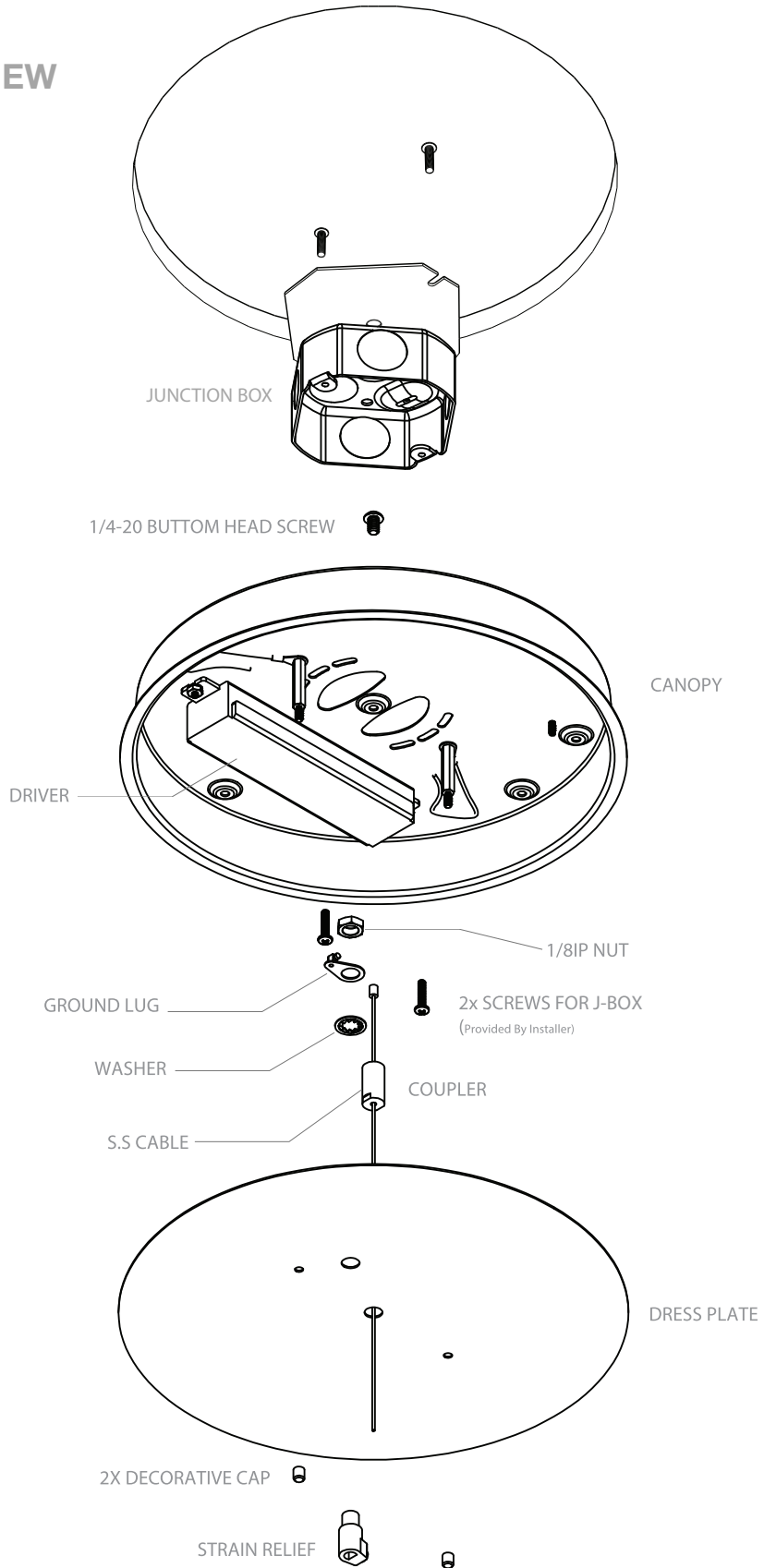
With canopy secured to junction box and Strain secured to dress plate, pass S.S cable through center hole in canopy. Then slide the dress plate up the cable and secure dress plate using decorative cap as shown

5

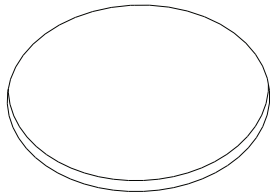


Firmly secure decorative cap against the dress plate and dress plate against the canopy as shown

PARTS OVERVIEW

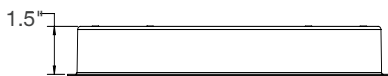


1

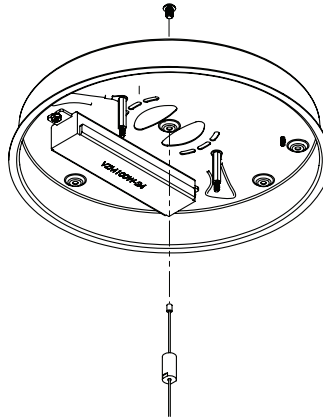


Use adjustable hole saw to cut 11" dia. hole in finish ceiling.

NOTE: J-Box should be 1.5" above the flushed surface of the canopy

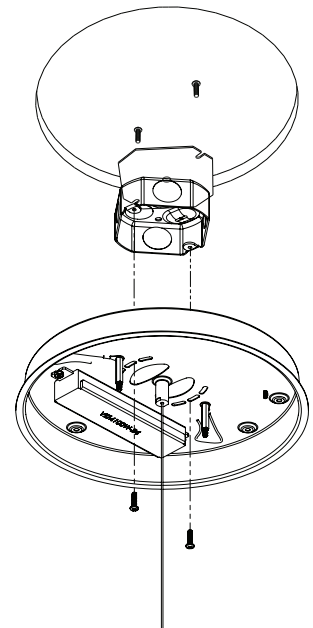


2



Pull S.S. cable through coupler and thread coupler onto 1/4-20 Button head cap screw at center hole until coupler is firmly secured against the underside of the canopy

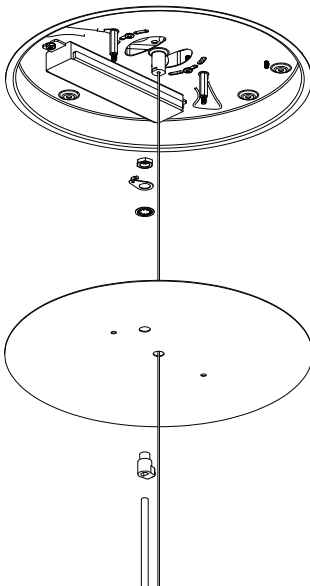
3



Secure junction box onto the cover plate with fasteners. Push the connections and all excess wires into junction box. Secure canopy to junction box with screws.

WIRING: See wiring instructions and diagrams on pages 15-16 for additional details.

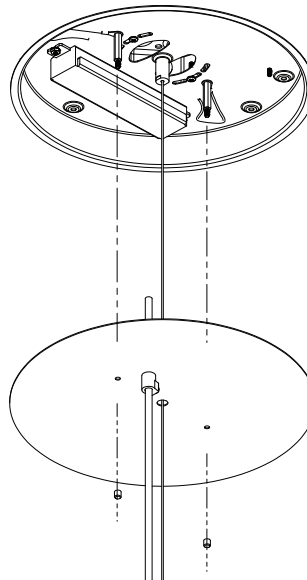
4



Pass enough length of the power cord through Strain Relief and secure strain relief onto the dress plate using washer, ground lug and nut

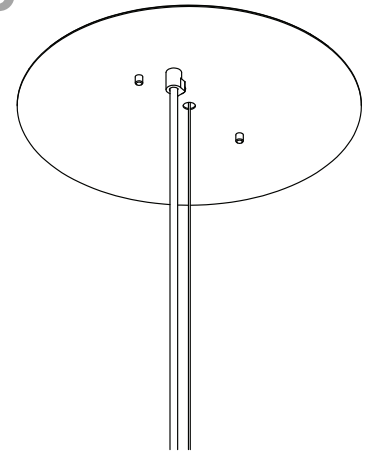
WIRING: See wiring instructions and diagrams on pages 15-16 for additional details.

5



With canopy secured to junction box and Strain secured to dress plate, pass S.S cable through center hole in canopy. Then slide the dress plate up the cable and secure dress plate using decorative cap as shown

6



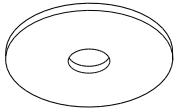
Firmly secure decorative cap against the dress plate and dress plate against the canopy as shown

PARTS OVERVIEW

1/4-20
ALL THREAD
(Provided By Installer)



ESCUTCHEON
PLATE
X-XX-XXXX



S.S. CABLE
6-04-0103



COUPLER
6-04-0201

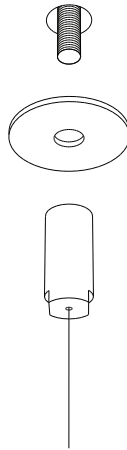


Install 1/4-20 all thread, refer to fixture specific pick point drawings, provided by LightArt, for exact locations.

Note: All-thread to be installed to support 60lb. minimum load

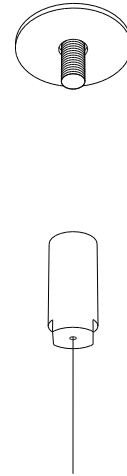
Note: All-thread should be installed to extend 1/2" below the line of the finish ceiling

1



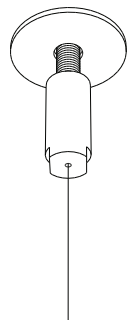
Pull the length of cable through the ceiling coupler until the swaged end catches inside.

2



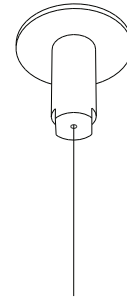
Slide escutcheon plate over 1/4-20 all thread & against the finished ceiling.

3



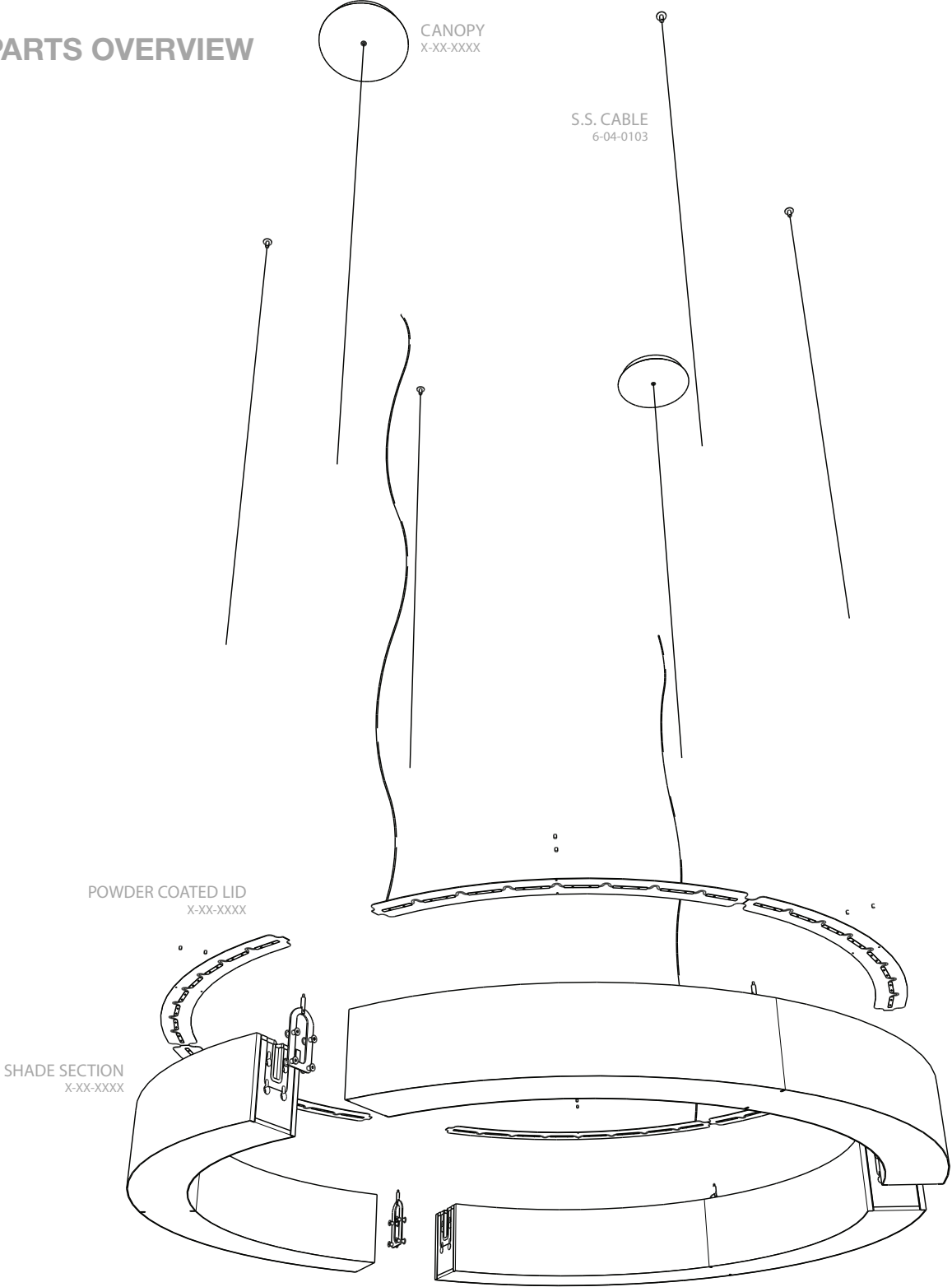
Thread ceiling coupler onto all thread as shown.

4

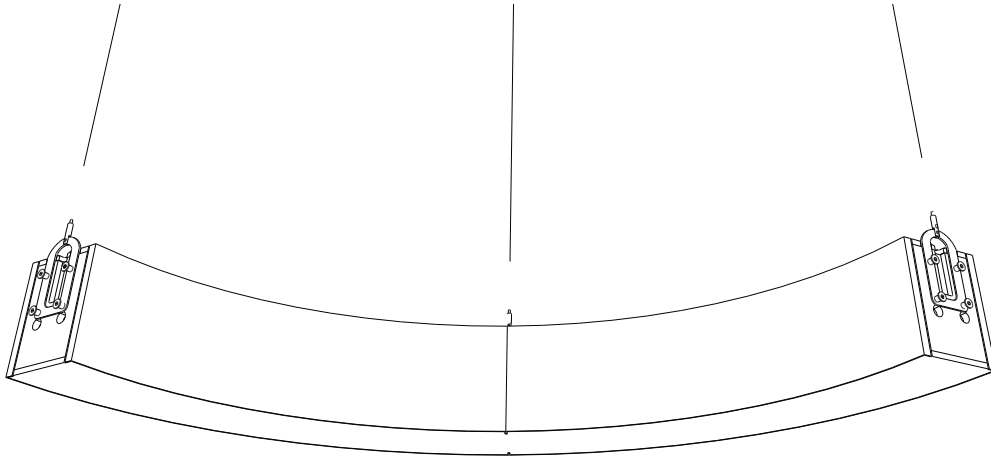


Continue threading ceiling coupler onto all thread until firmly secured against escutcheon plate at ceiling.

PARTS OVERVIEW

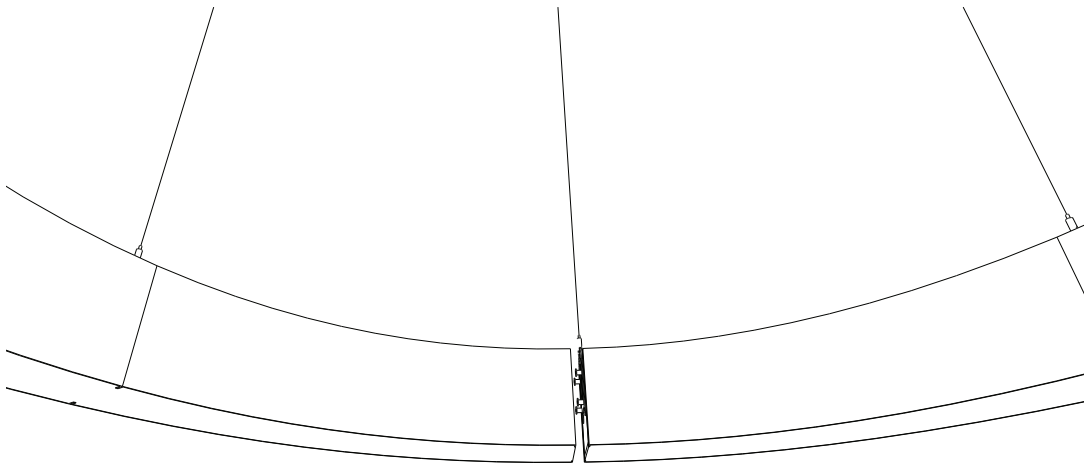


1



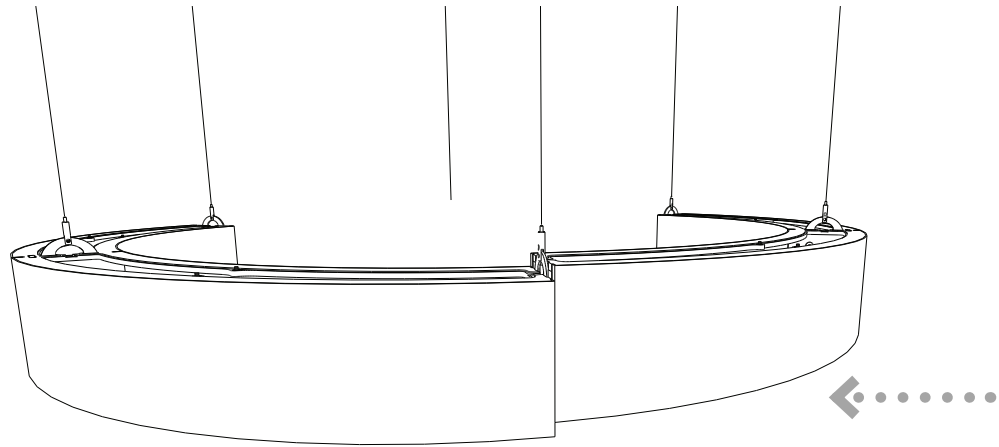
Locate the "CORNERSTONE" shade section, which has support hangers factory installed on both ends. Raise the cornerstone section to the desired height and attach the (3) cables by feeding the free end into the cable grippers. Before proceeding to the next shade make sure the shade section is at the proper height and is level. **WARNING** depending upon size it can be very challenging to adjust the height and level the fixture once all the shade sections are suspended.

2



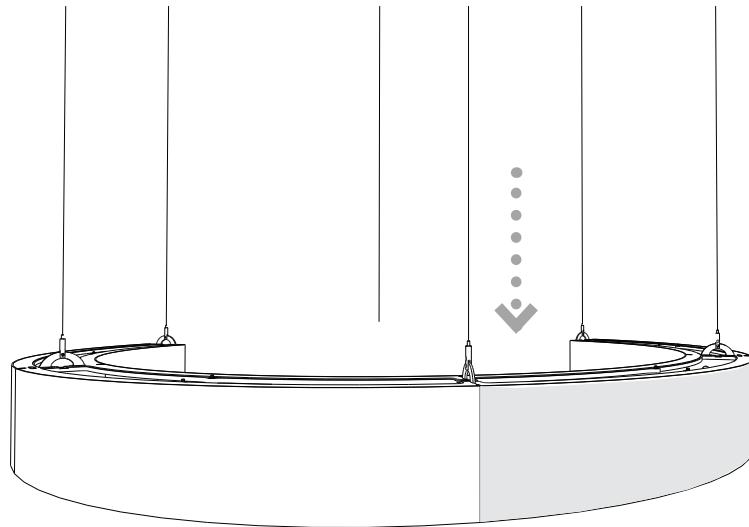
Only after the first shade section is leveled and at the appropriate height, proceed to the next shade section. Raise the second shade section into place and attach the (2) corresponding s.s. cables. Only after the (2) s.s. cables have been attached should you attempt to attach the first two shade sections to one another.

3



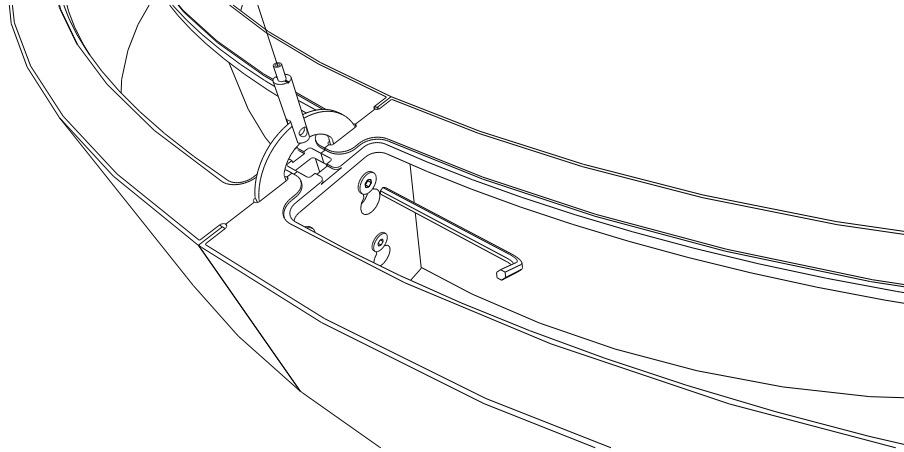
Attach the second shade section to the first shade section by lifting the end of the shade slightly until the hardware engages the keyway slots on shade section 2 shown in gray.

4



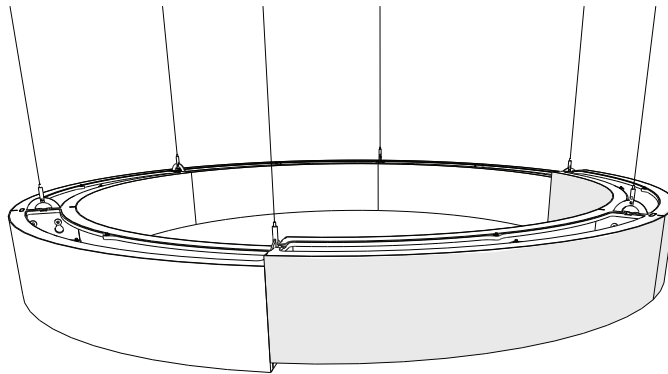
With the hardware from shade 1 engaged in to the keyway slot in shade 2 shown in gray lower the end of shade 2 to connect the shade sections.

5



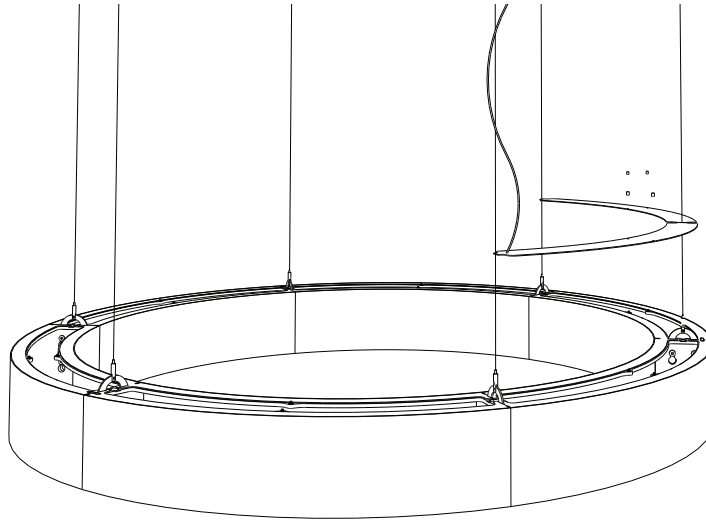
Check second shade for level, the seam between the top and bottom diffusers of both shades should be aligned. Tighten the fasteners between shades with the provided allen key.

6



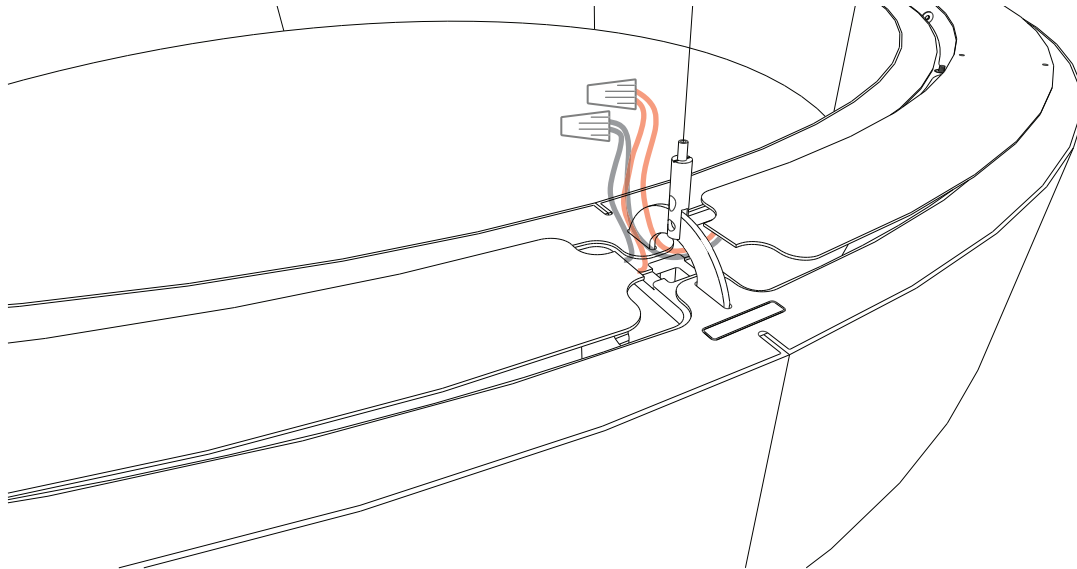
Proceed with the next shade section in the same manor as described previously, making sure to level each section and secure the fasteners between each shade until the entire ring is assembled. Proceed with the installation of the LED lighting and lids on the following page.

7



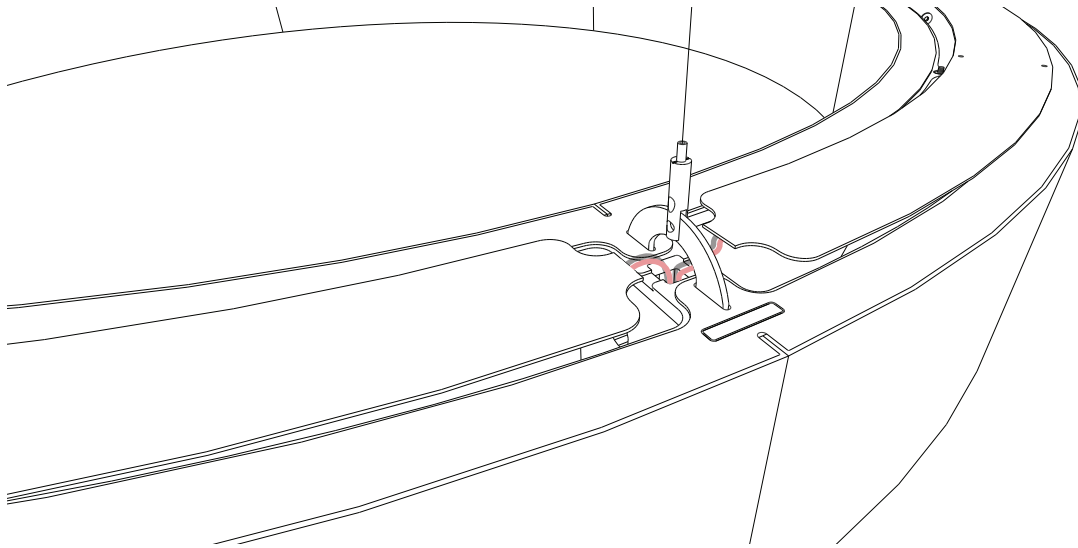
Locate the LED lid labeled with a number 1 on the underside. This is the first lid to be installed and will have a silver power cord located on one end. The first lid should be positioned on the fixture so that the silver power cord is directly beneath one of the ceiling canopies.

8



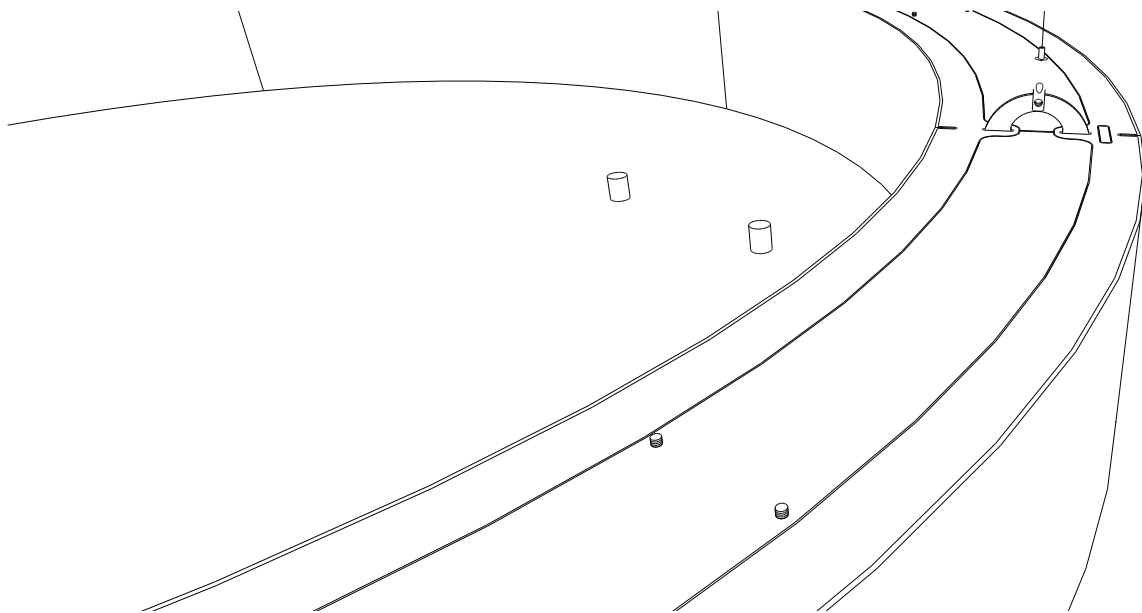
Locate the next LED lid with a number 2 on the underside. Feed the positive and negative leads from the second lid under the hanger and connect them to the corresponding leads on the first lid with the provided connectors.

7



Gently tuck the connectors into the compartment under the hanger, until the lids lay flat on the top of the fixture. Proceed in this same manor until all lids are installed on ring.

8



Install (2) nickle plated decorative caps to secure each lid to the top diffuser. The final step in the installation process is to wire the silver power cords from the fixture to the canopies above. Please refer to the wiring diagram on page XX-XX for additional information and wiring instructions.



Connect the WHITE (Input ACN) power supply wire to the WHITE (ACN) wire of the supply circuit. Connect the BLACK (Input ACL) power supply wire to the BLACK (ACL) wire of the supply circuit. Connect copper ground wire on canopy to the GROUND wire of the supply circuit.

Push all line voltage connections and all excess wires into junction box.

Secure canopy to junction box with provided fasteners.

Proceed with the installation of canopy, pick-points, shades, and LEDs.

Feed the power cord from the fixture through the strain relief on the dress plate.

Connect the BLUE (DC V-) wire from fixture to the BLUE (DC Output V-) of the driver. Connect the RED (DC V+) wire from fixture to the RED (DC Output V+) wire of the driver.

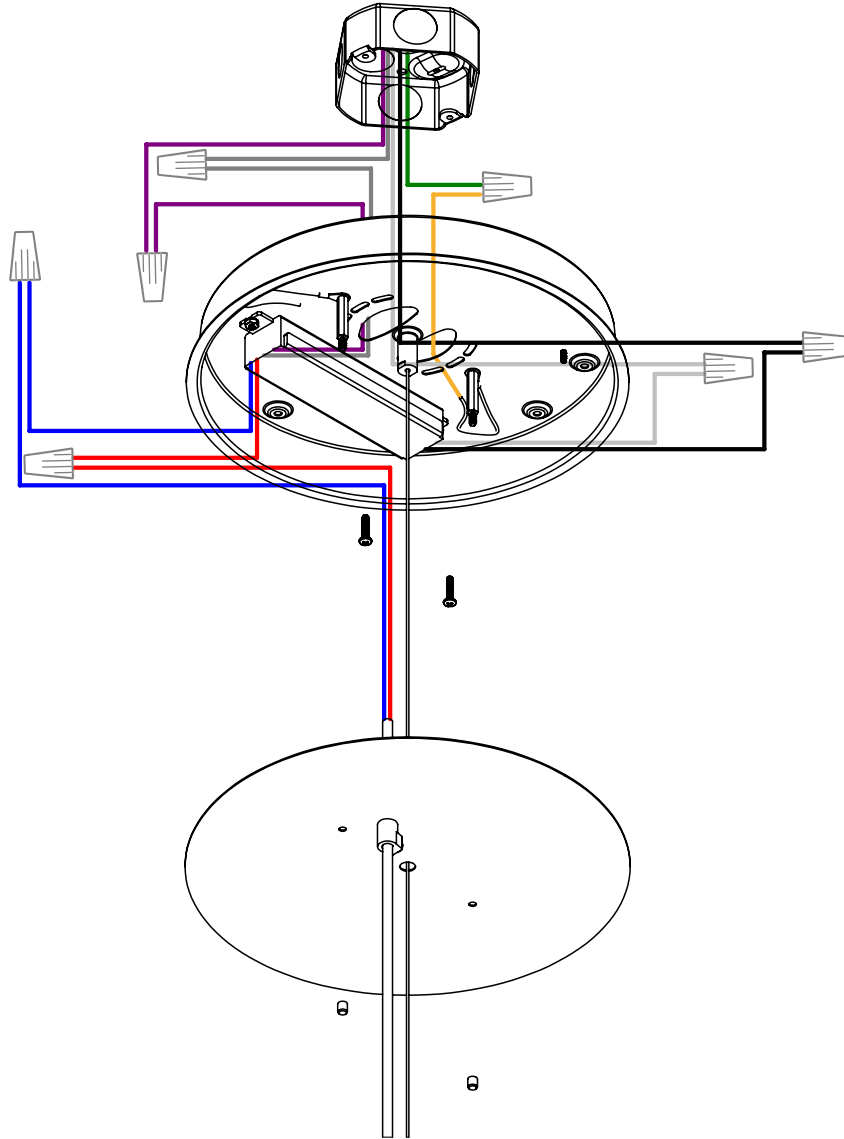
Tighten set screw on strain relief to secure power cord.

DO NOT DISCONNECT RED AND BLUE WIRES BETWEEN THE POWER SUPPLY AND DIMMING MODULE.

Push all connections and excess wires into canopy and press dress plate firmly against the canopy until the two magnets engage with the top side of the dress plate.

0-10V Dimming WIRING DIAGRAM

Connect the PURPLE (DIM +) to dim +ve and connect the GREY (DIM -) to dim -ve of dimmer module. Only use when using dimming control for fixture. If not using dimming leads make sure GREY and PURPLE wire are not connected together.



For illustration purposes only. Consult control manufacturer's spec. sheets for specific wiring requirements and fixture capacity.

NOTICE:

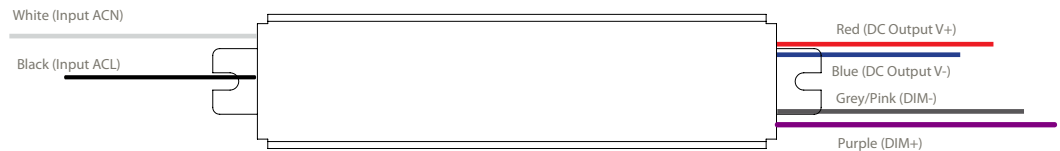
- Wire according to appropriate manufacturer's wiring diagrams
- WARNING: Risk of shock from energized equipment.
- Always turn power OFF and lock out during fixture installation
- This product must be installed in accordance with the applicable installation code by a person familiar with the construction and operation of the product and the hazards involved.
- SUITABLE FOR DAMP LOCATIONS
- CONTACT MANUFACTURER FOR LED REPLACEMENT

WARNING:

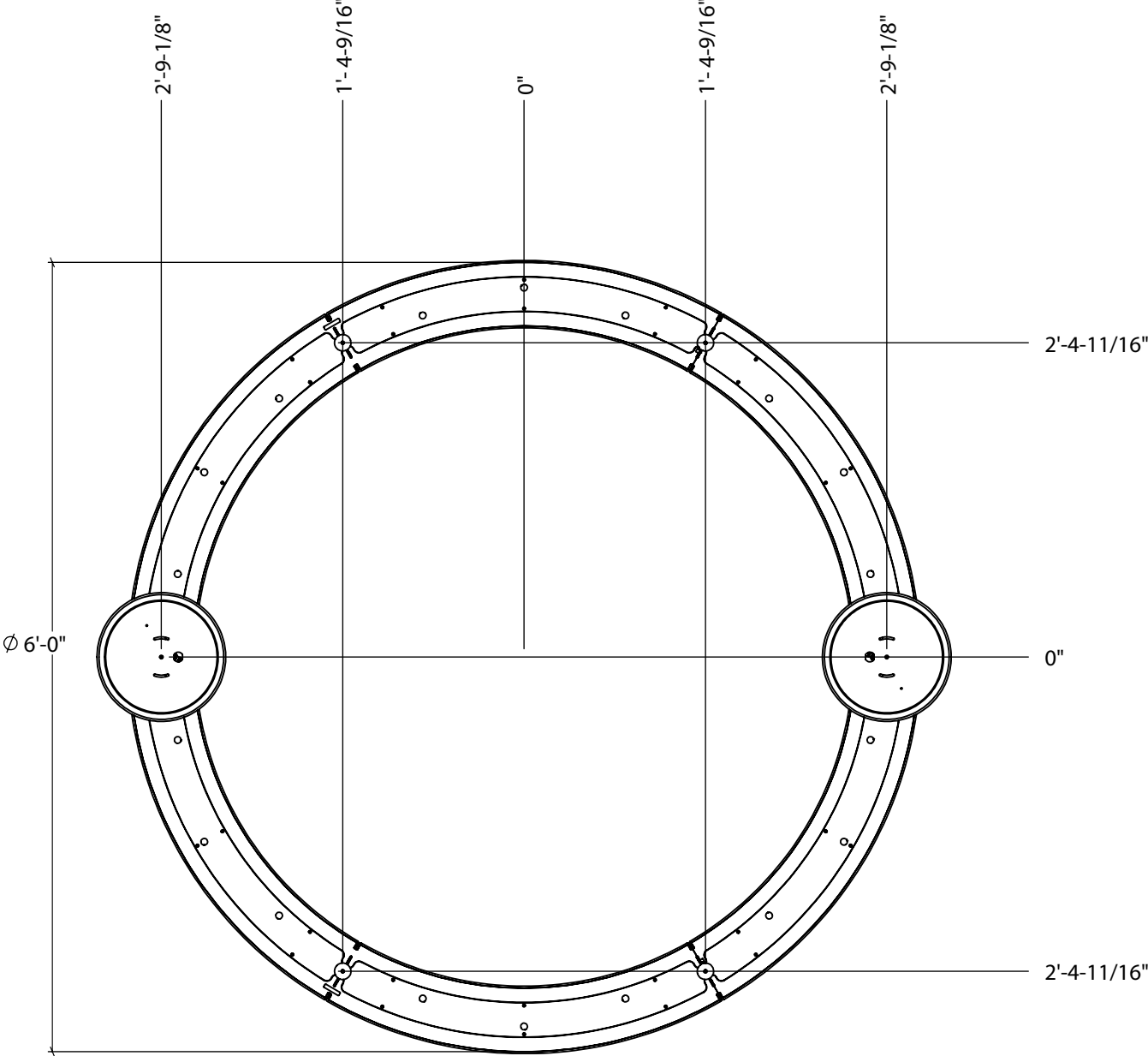
- LIGHTART IS NOT LIABLE FOR DAMAGE DUE TO MISWIRING 0-10 VOLT CONTROL WIRES, OR LOW VOLTAGE LED WIRES TO LINE VOLTAGE.

LED DRIVER

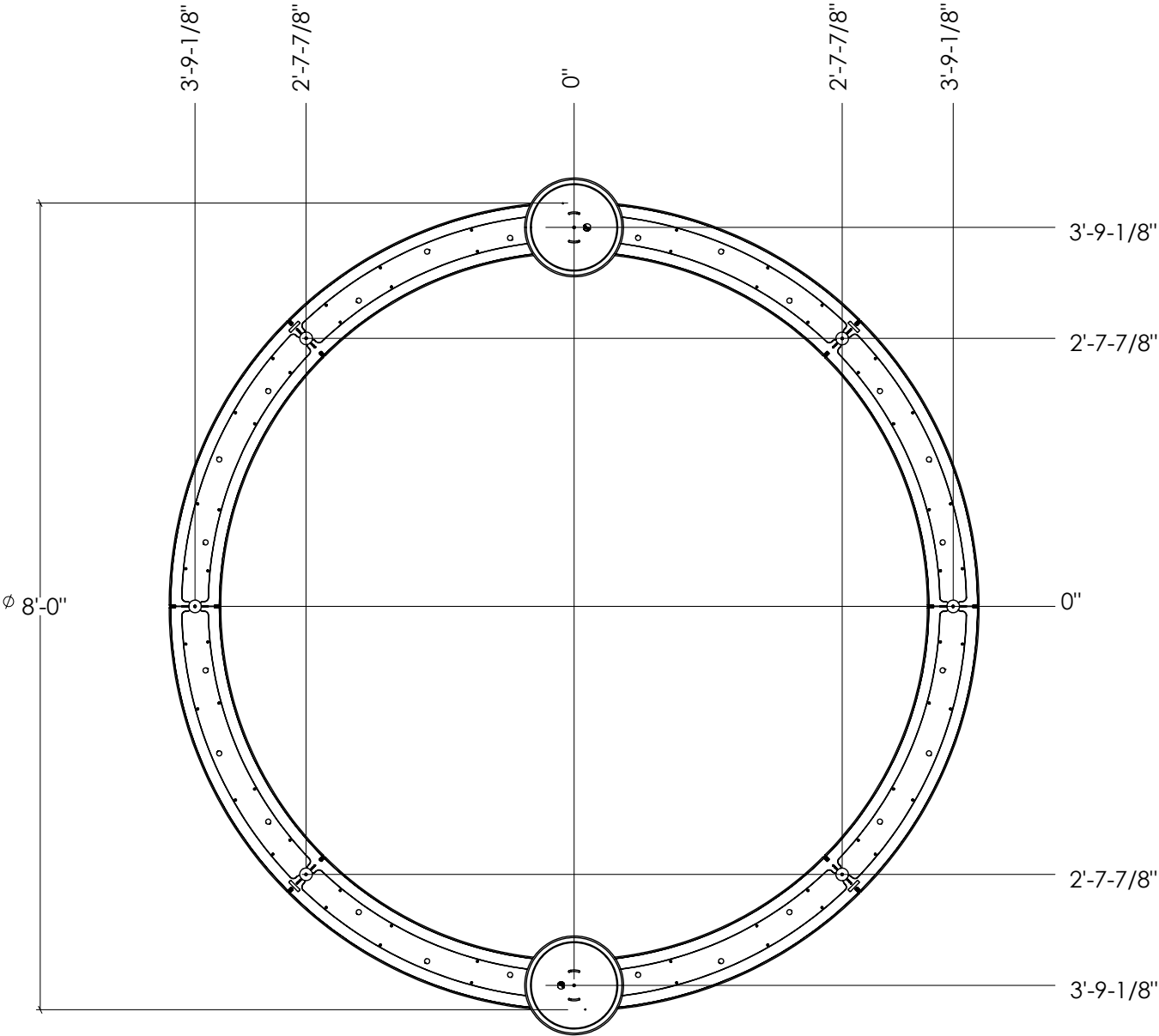
- Provided by LightArt
- Mounted in canopy w/ 6-32 k-lock nuts.
- REFER TO DRIVER SPEC SHEET FOR ADDITIONAL INFORMATION



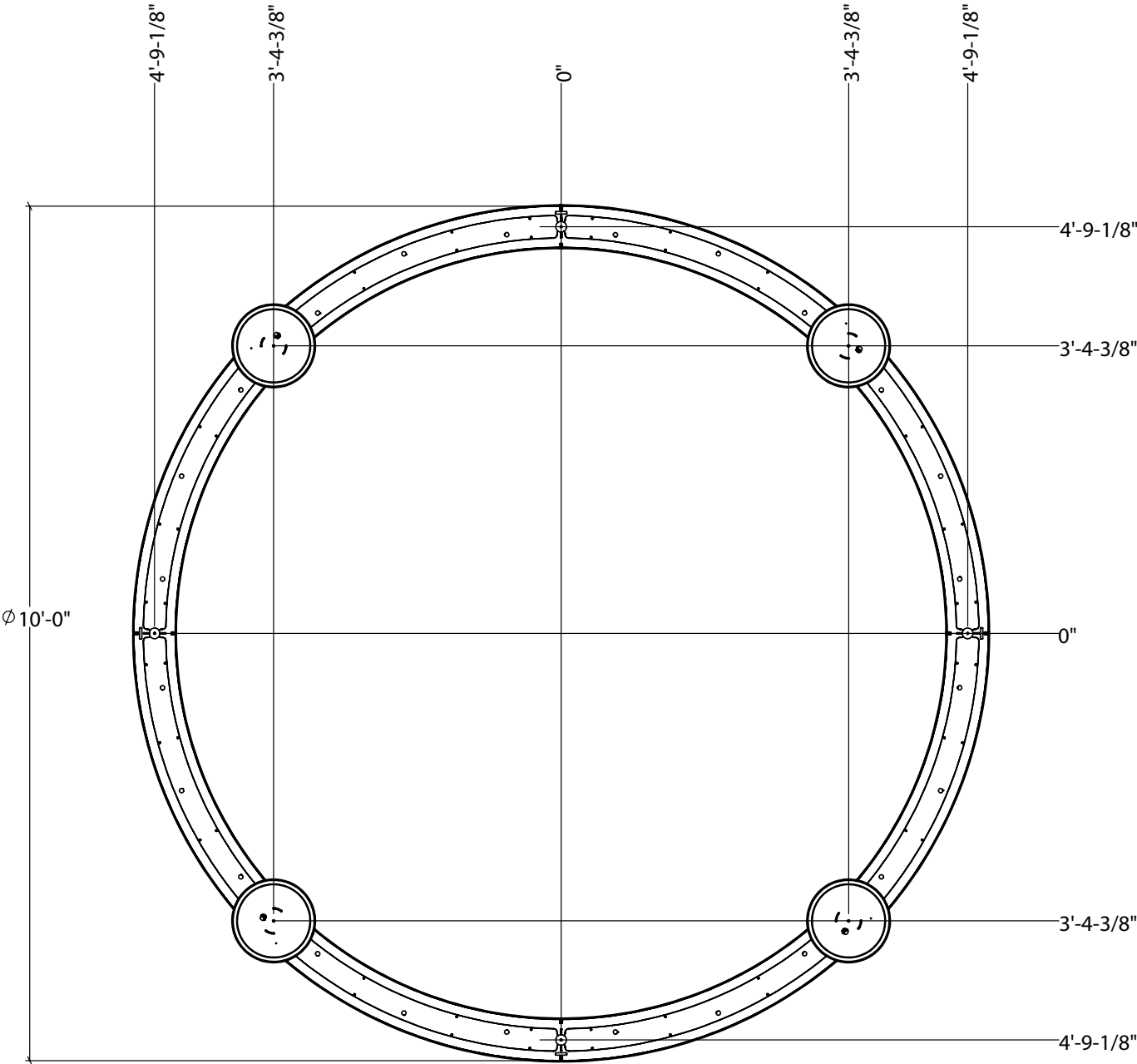
6' RING



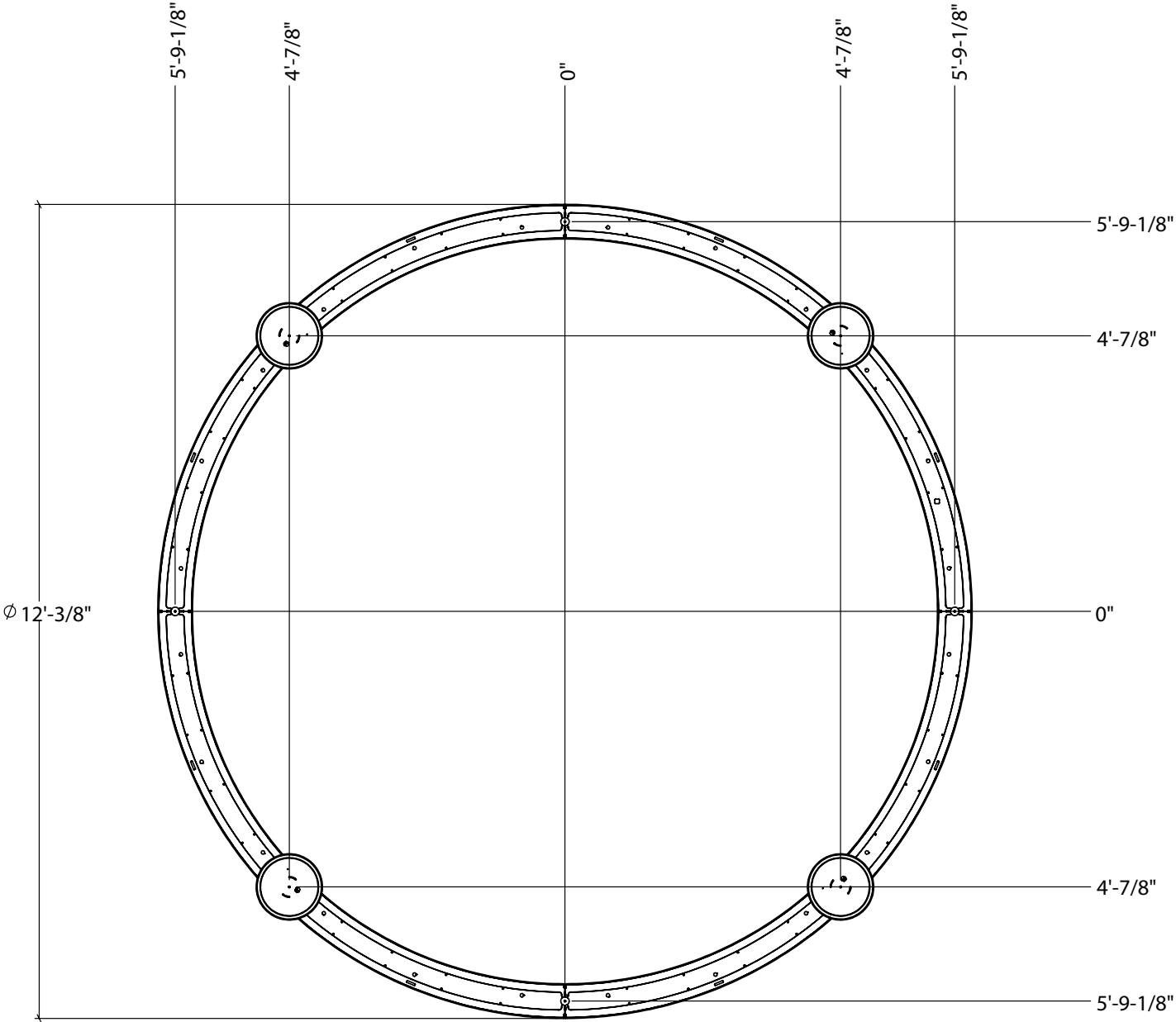
8' RING



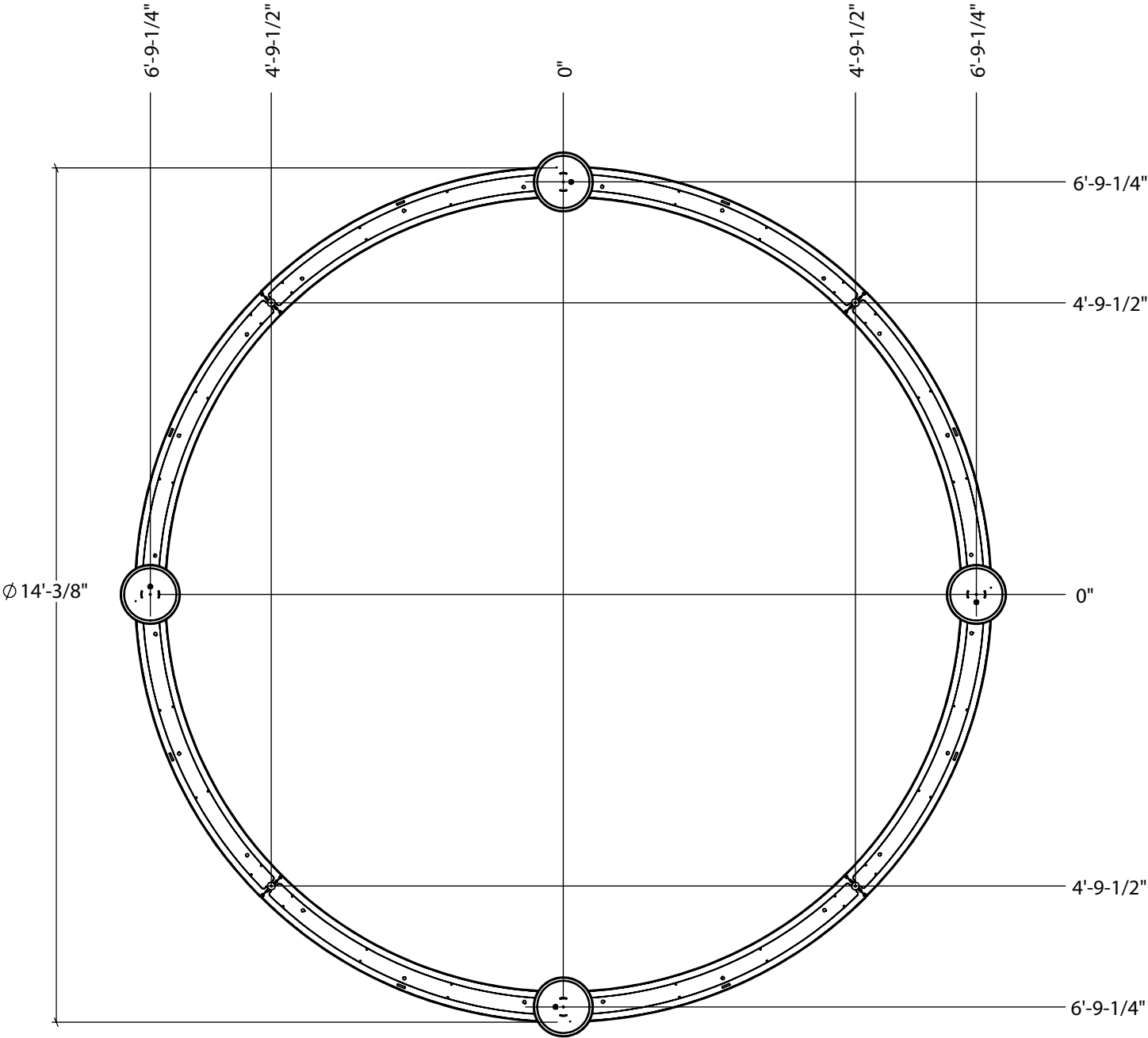
10' RING



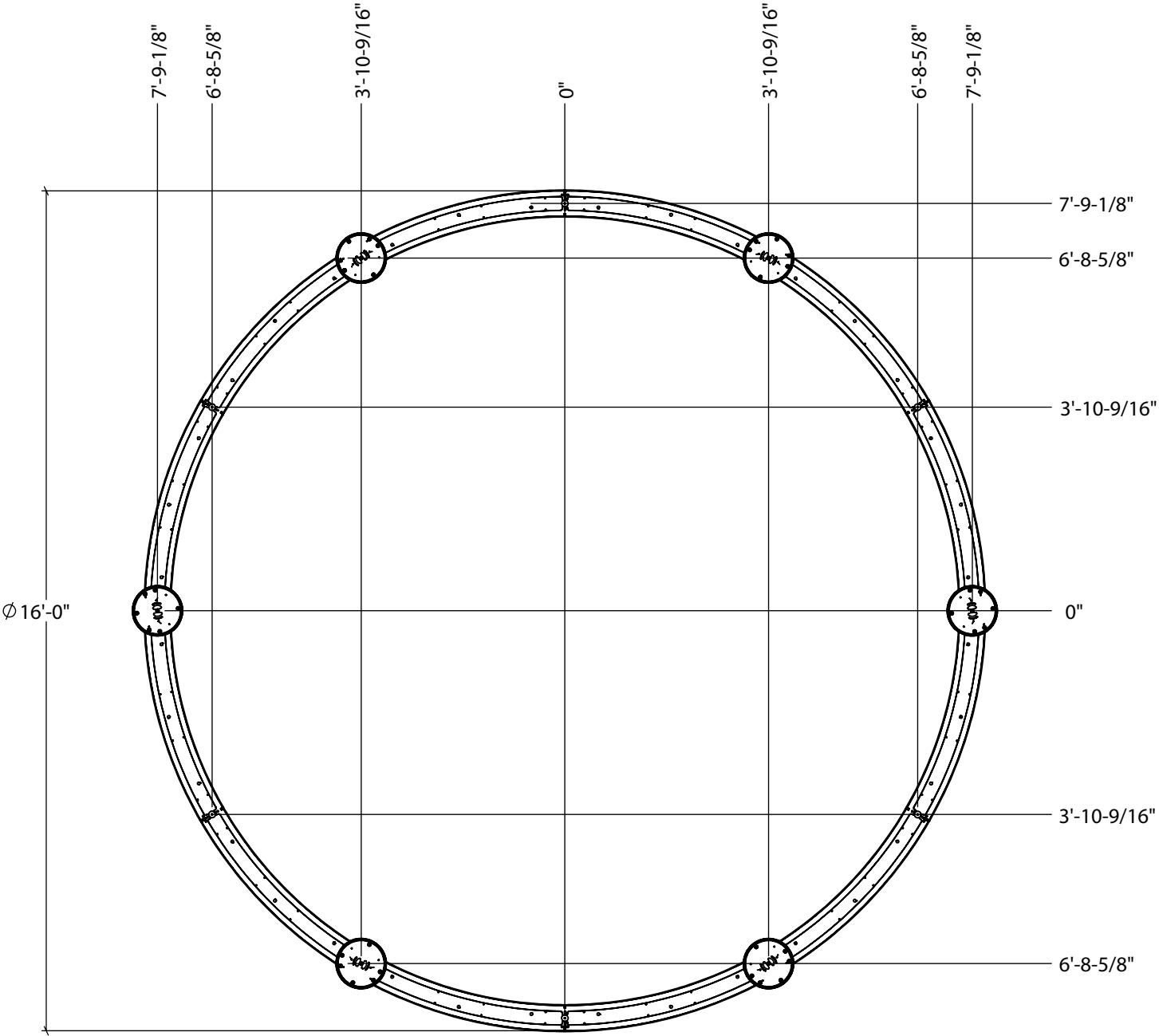
12' RING



14' RING



16' RING



LightArt

4770 OHIO AVE SOUTH, SUITE A
SEATTLE, WA 98134
lightart.com