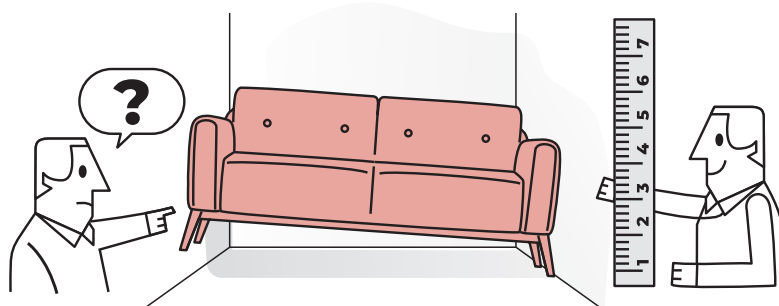


WILL YOUR NEW PIECE OF FURNITURE FIT INTO YOUR HOME?

SLF24●●●

HAVE YOUR ALREADY CHOSEN YOUR FURNITURE?

Make sure that the delivery people won't have any problems bringing the furniture into your home. In this guide, you will find some tips that will allow you to avoid disappointment. Taking the measurements won't take you longer than 10 minutes. If you can, try to print this guide off.



Please note, it is your responsibility to make sure your furniture fits in your property/room. **If the delivery team cannot deliver, due to access issues, you will be charged a returns fee.** For more information on this, please see our returns policy on our website www.slf24.co.uk/return-policy.

1 DIMENSIONS

SLF24●●●

PACKED DIMENSIONS

Our furniture is wrapped in card and polythene, so the first thing you need to do is to note down the packed dimensions. Information about the number, size and weight can be found on our website, SLF24.co.uk under the tab **DIMENSIONS**.

PACKAGE 1

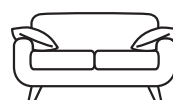
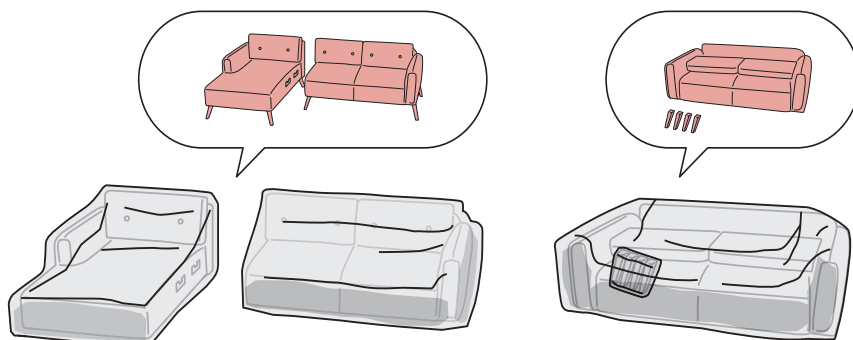
H: W: D:

PACKAGE 2

H: W: D:

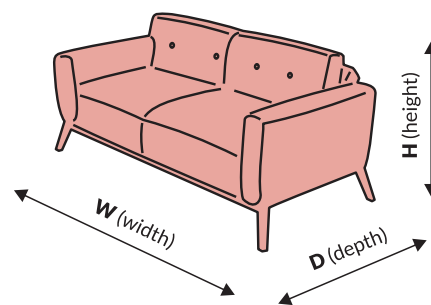
If you are buying a corner sofa, your order will be delivered in a number of packages.

Check whether the dimensions of each package won't cause any problems when moving them through door frames, carrying them upstairs, through narrow corridors, or when putting them into a lift. If you live in an apartment/flat which has more than 3 flights of stairs and you do not have a suitable lift, then our delivery team will only deliver to the **ground floor**.

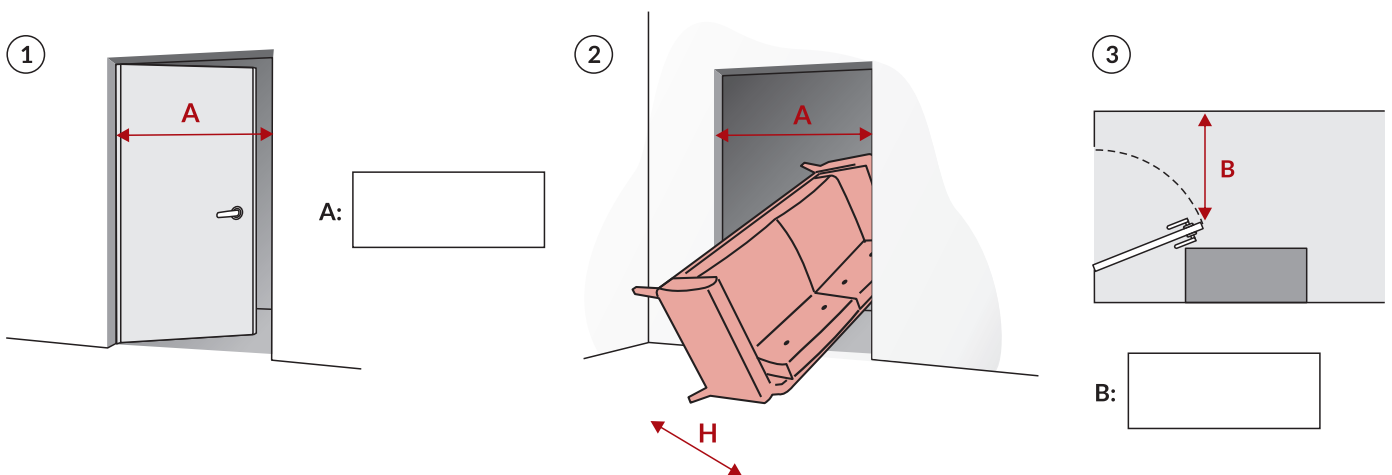


DIMENSIONS:

Width
Height
Depth
Weight
Package 1 Depth
Package 1 Height
Package 1 Weight
Package 1 Width
Package 2 Depth
Package 2 Height
Package 2 Weight
Package 2 Width

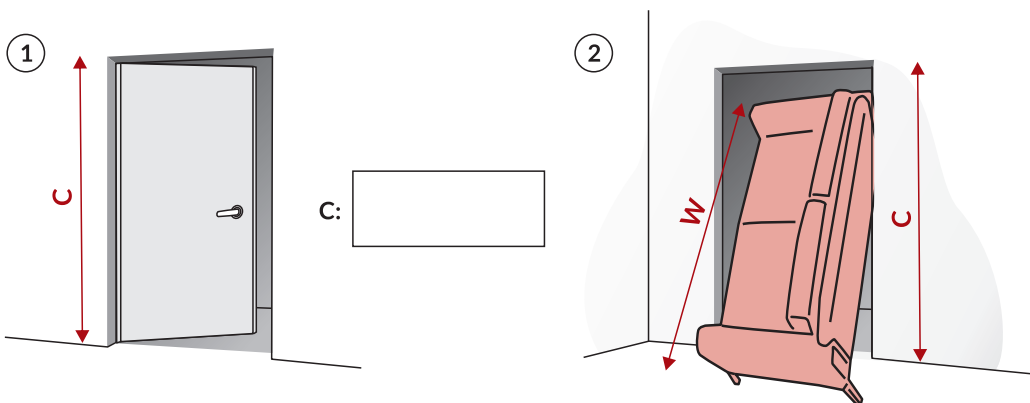


2 CARRYING THE FURNITURE THROUGH THE FRONT DOOR



PLAN A

1. Make sure that the furniture will fit through the door. Measure and note down the door frame's dimensions.
2. If the door frame's width (**A**) is a higher number than box's height (**H**), then you should be able to bring the furniture in through the door.
3. If you have something behind the door and you won't be able to open them fully, open them as wide as you can and measure the distance in the most narrow place, between outer edge of the door and the object that is stopping them opening fully (**measurement B**). If (**B**) number is higher than the height of your furniture's box (**H**), you can move to section 3. Otherwise, have a look at Plan B.

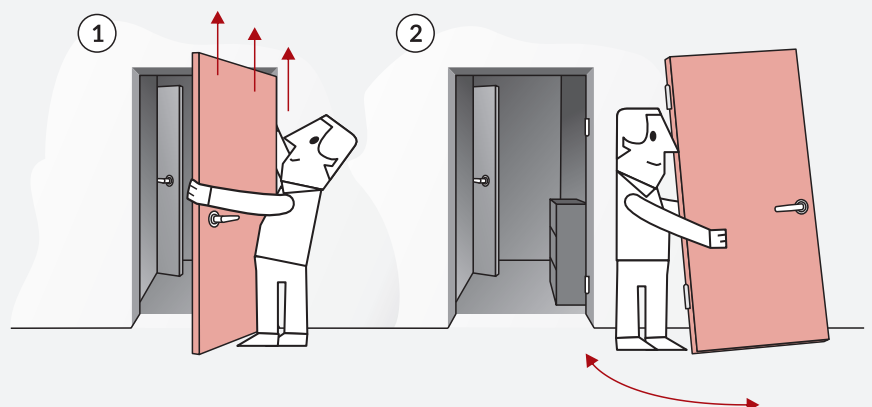


PLAN B

1. If the width of your door frame is too small, try to put your piece of furniture vertically and carry it through the door like that.
2. Check out this option by comparing the door frame's height (**C**) with the box's width (**W**).
3. Leave a bit of space to be able to move.

TIP

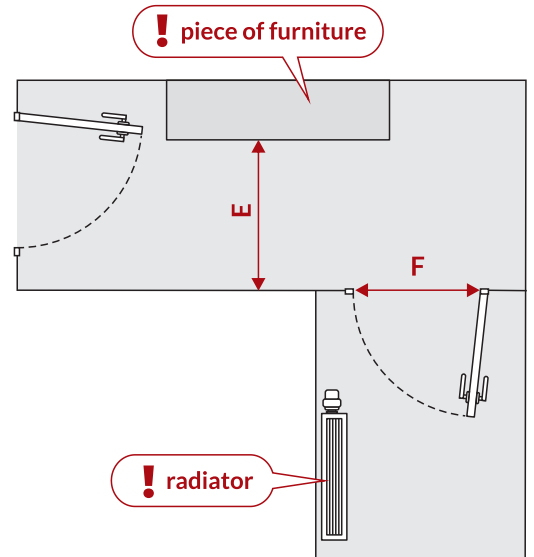
If you can't open the door wide enough, it should be fairly easy to remove them from the door frame.



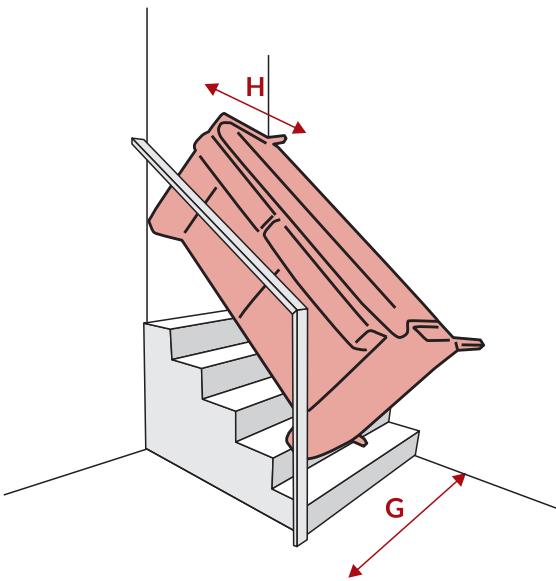
3 CORRIDORS AND NARROW PLACES

1. Measure the width of all the places that packed furniture must be carried through – from corridors (E) to internal door (F).
2. Pay attention to the distance between various objects, furniture, radiators. The box's height (H number) must be smaller than the dimensions that you've noted down.

E: F:



4 STAIRS



be carried through – from corridors (E) to internal door (F).

SIMPLE STAIRS

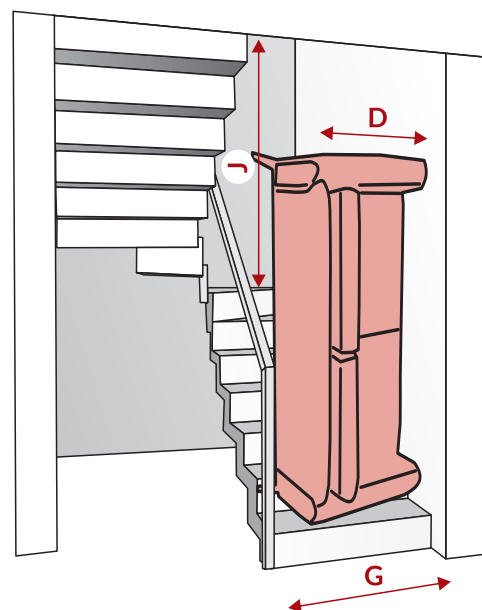
1. Measure the width of the stairs (G). Pay attention to any protruding banisters. Stairs' width should be higher than (H) number of your chosen piece of furniture.

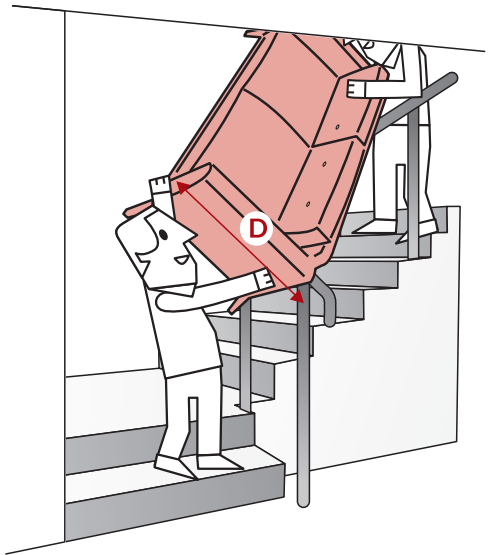
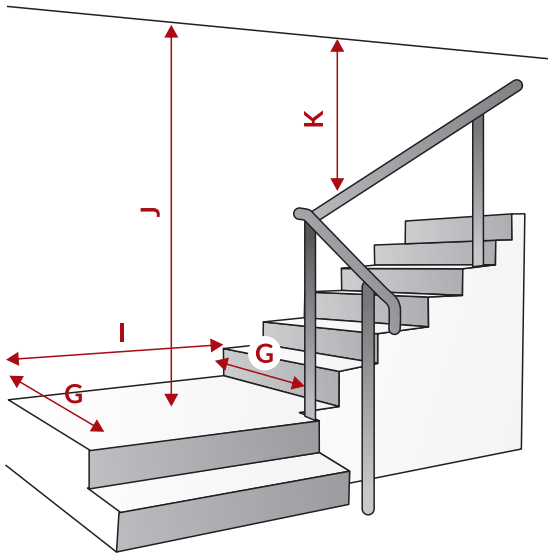
G:

STAIRS WITH A LANDING

1. You might have a problem when turning. Try to position your piece of furniture vertically. Measure the height between the landing and the ceiling above the landing (J). If the height number above the stairs is bigger than the width of the box (W number), and the width of a flight of stairs (G) is bigger than the depth (D number), then the piece of furniture should fit.
2. Remember to keep a bit of space for people who will be carrying the piece of furniture upstairs.

G: J:





G:

I:

J:

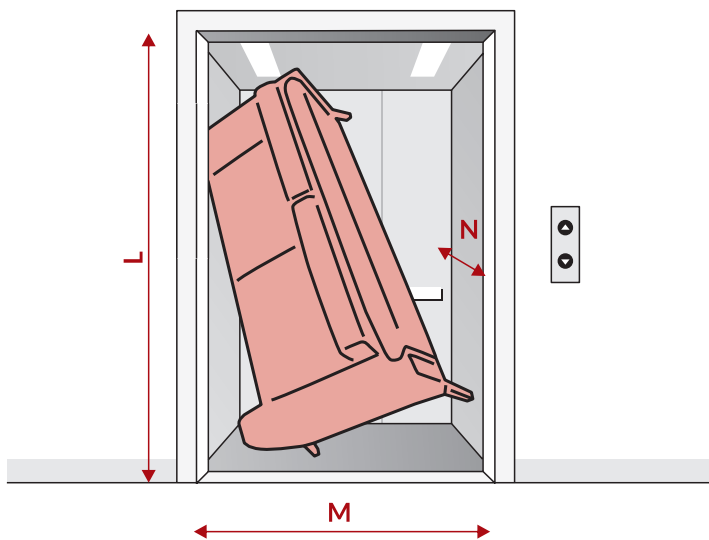
1. Measure the stairs' width in the most narrow place (**G**). If this number is higher than box's height (**H**), then you should be able to move the furniture.

2. If there is a landing, measure its' depth (**G**), width (**I**) and height (**J**). As long as those measurements are bigger than the width (**W**), depth (**D**) and height (**H**) of your sofa, it should be enough.

3. Maybe you will need to lift the box over the banisters? If this is the case, make sure that the distance between the banister and the ceiling is bigger than the depth of your sofa (**D**) in the point where the height is the shortest (**K number**).

K:

5 LIFT



If there is a lift in your building, check the height and the width of its' open door. Also measure the lift's width, depth and height.

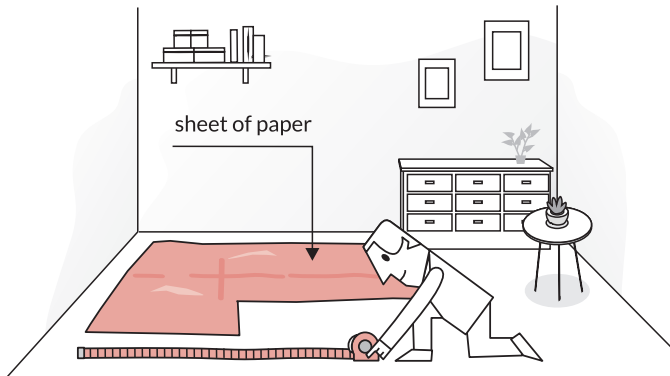
L:

M:

N:

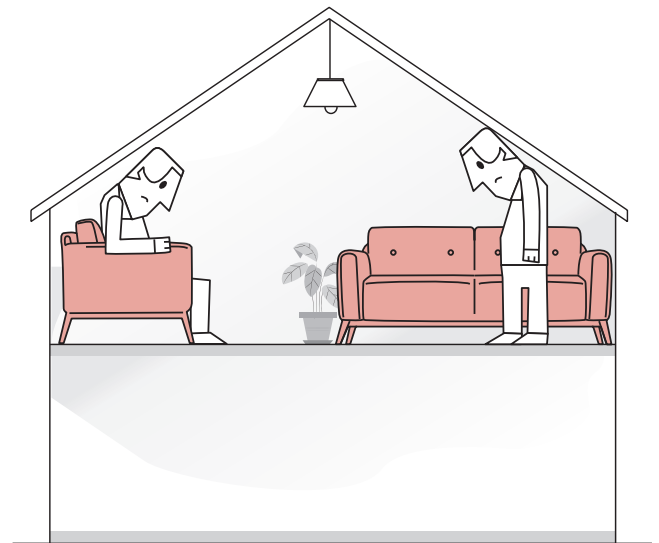
ALSO REMEMBER THAT...

Before buying your piece of furniture you should also check whether it will fit into your room.



PLAN

Use masking tape or a large sheet of paper to check how your chosen sofa will look on the floor in your room.



ATTIC, SLANTED CEILING

Measure the height between the floor and the ceiling, to check whether you will be able to sit comfortably in your chosen spot.

TIPS

1. If you have a ground floor living room, see if you can use the window to bring the sofa in.
2. Check whether you might have any ceiling lamps or pendants, which you could either move or dismantle.

