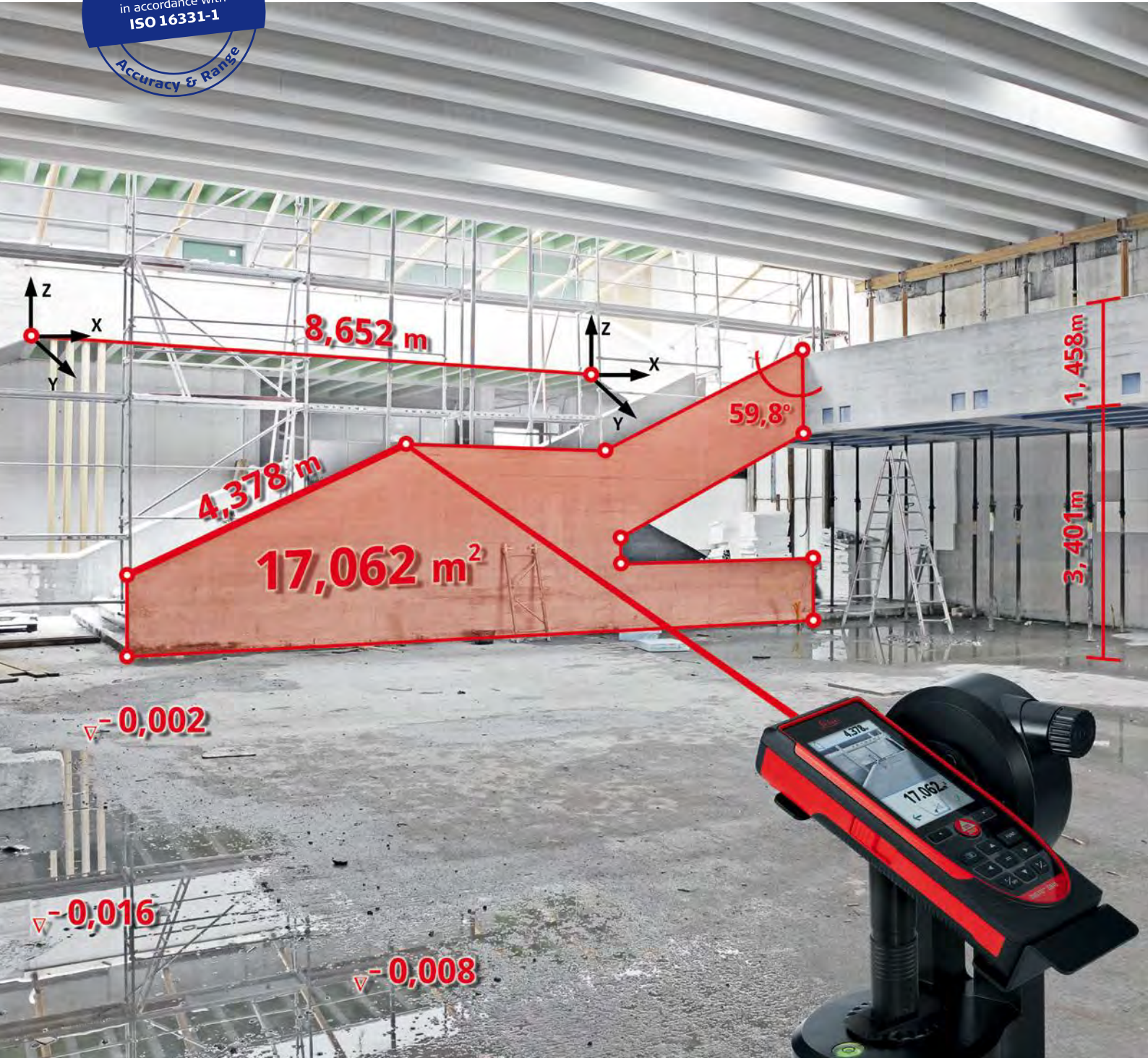


Leica DISTO™

The original
laser distance meter



Leica DISTO™

Pioneering the future by tradition



It's been over 20 years since Leica Geosystems launched the first hand-held laser distance meter and revolutionised the surveying technology market. Since then we have been setting the standards for productivity for simple and complex measuring applications. Our highly motivated development specialists use their strong innovative spirit to bring new ideas to reality. The resulting products impress with their accuracy, reliability and robustness. That's why industry professionals trust Leica Geosystems.

Satisfying the highest demands

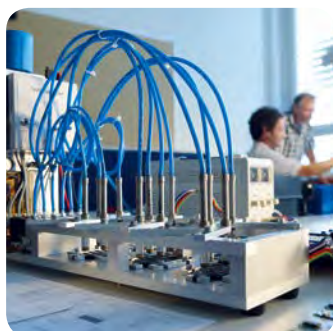
Meeting the customers' needs and fulfilling their expectations are top priorities at Leica Geosystems. We promise outstanding quality. We keep this promise by employing highly experienced and qualified staff and working with the best partners. In the manufacturing process we use only materials that comply with the highest international standards. Continuous testing during production ensures a consistently high level of quality.

Represented worldwide

Leica Geosystems has a worldwide dealer network with numerous subsidiaries in Europe, Asia and America. We are always there for you – right on your doorstep.



Close cooperation with professional users.



Highly motivated development specialists realise new ideas.



Continuous testing guarantees consistently high quality.



Products that impress through accuracy, reliability and robustness.

Leica DISTO™

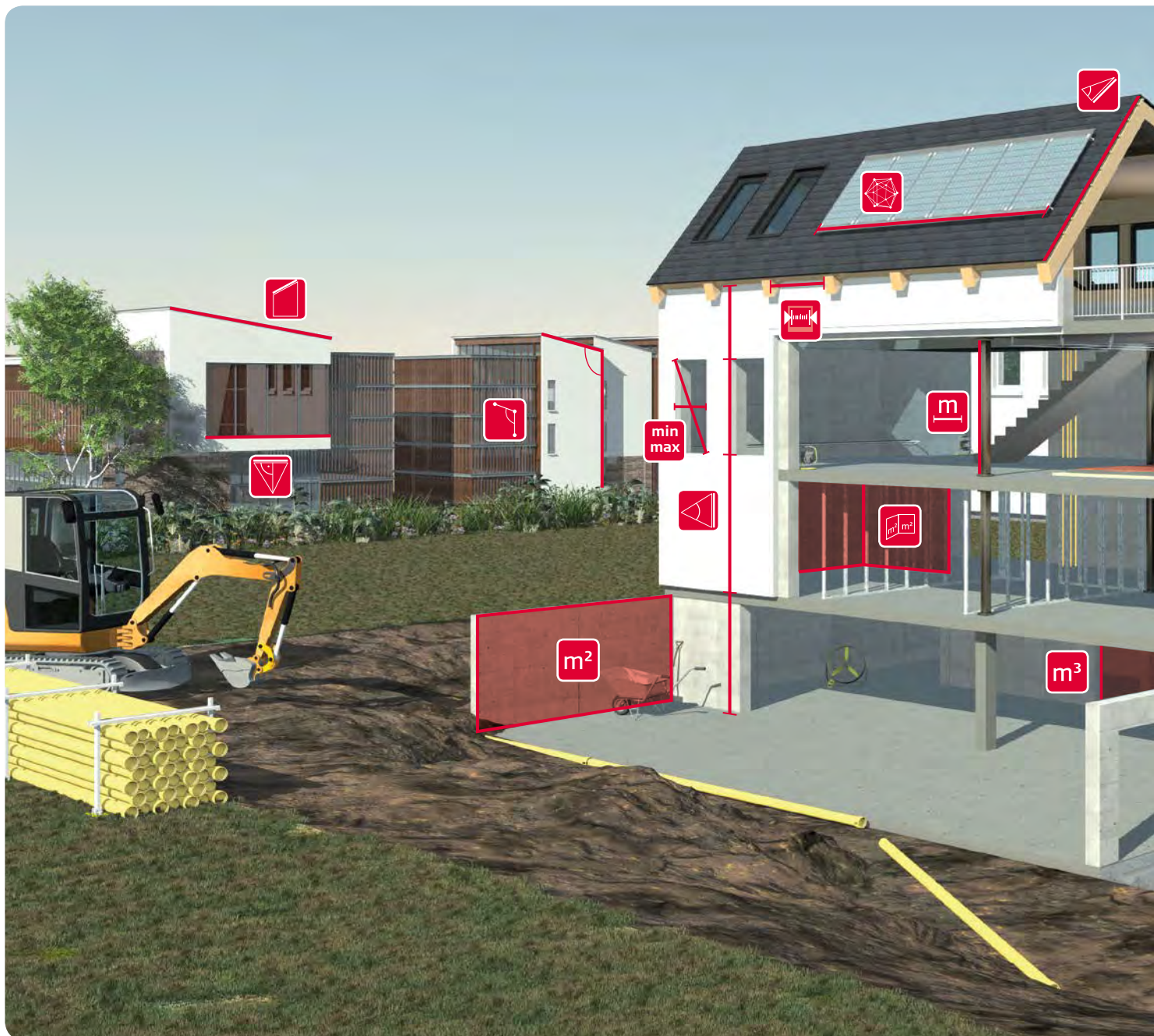
Which instrument is the right one for me?



Function	D1	D110	D2	X310	D410	D510	D810 touch	S910
Distance measurement	up to 40 m	up to 60 m	up to 100 m	up to 120 m	up to 150 m	up to 200 m	up to 250 m	up to 300 m
Minimum/maximum measurements	<input type="radio"/>	<input type="radio"/>	<input checked="" type="radio"/>	<input checked="" type="radio"/>	<input checked="" type="radio"/>	<input checked="" type="radio"/>	<input checked="" type="radio"/>	<input checked="" type="radio"/>
Area/volume measurements	<input type="radio"/>	Area measurements	<input checked="" type="radio"/>	<input checked="" type="radio"/>	<input checked="" type="radio"/>	<input checked="" type="radio"/>	<input checked="" type="radio"/>	<input checked="" type="radio"/>
Triangle/room angle function	<input type="radio"/>	<input type="radio"/>	<input type="radio"/>	<input checked="" type="radio"/>	<input type="radio"/>	<input checked="" type="radio"/>	<input checked="" type="radio"/>	<input checked="" type="radio"/>
Painter function	<input type="radio"/>	<input type="radio"/>	<input checked="" type="radio"/>	<input checked="" type="radio"/>	<input checked="" type="radio"/>	<input checked="" type="radio"/>	<input checked="" type="radio"/>	<input checked="" type="radio"/>
Trapezium function	<input type="radio"/>	<input type="radio"/>	<input type="radio"/>	<input type="radio"/>	<input type="radio"/>	<input checked="" type="radio"/>	<input checked="" type="radio"/>	<input checked="" type="radio"/>
Pythagoras functions	<input type="radio"/>	<input type="radio"/>	<input checked="" type="radio"/>	<input checked="" type="radio"/>	<input checked="" type="radio"/>	<input checked="" type="radio"/>	<input checked="" type="radio"/>	<input checked="" type="radio"/>
Tilt measurement	<input type="radio"/>	<input type="radio"/>	<input type="radio"/>	360°	<input type="radio"/>	360°	360°	360°
Smart Horizontal Mode	<input type="radio"/>	<input type="radio"/>	<input type="radio"/>	<input checked="" type="radio"/>	<input checked="" type="radio"/>	<input checked="" type="radio"/>	<input checked="" type="radio"/>	<input checked="" type="radio"/>
Sloped object measurement	<input type="radio"/>	<input type="radio"/>	<input type="radio"/>	<input type="radio"/>	<input type="radio"/>	<input checked="" type="radio"/>	<input checked="" type="radio"/>	<input checked="" type="radio"/>
Height tracking	<input type="radio"/>	<input type="radio"/>	<input type="radio"/>	<input checked="" type="radio"/>	<input type="radio"/>	<input checked="" type="radio"/>	<input checked="" type="radio"/>	<input checked="" type="radio"/>
Height profile measurements	<input type="radio"/>	<input type="radio"/>	<input type="radio"/>	<input type="radio"/>	<input type="radio"/>	<input checked="" type="radio"/>	<input checked="" type="radio"/>	<input checked="" type="radio"/>
Stake-out function	<input type="radio"/>	<input type="radio"/>	a/a	a/b	a/b	a/b	a/b	a/b
Subtraction/addition	<input type="radio"/>	<input type="radio"/>	<input checked="" type="radio"/>	<input checked="" type="radio"/>	<input checked="" type="radio"/>	<input checked="" type="radio"/>	<input checked="" type="radio"/>	<input checked="" type="radio"/>
Pointfinder with 4x zoom	<input type="radio"/>	<input type="radio"/>	<input type="radio"/>	<input type="radio"/>	<input checked="" type="radio"/>	<input checked="" type="radio"/>	<input checked="" type="radio"/>	<input checked="" type="radio"/>
Camera function	<input type="radio"/>	<input type="radio"/>	<input type="radio"/>	<input type="radio"/>	<input type="radio"/>	<input type="radio"/>	<input checked="" type="radio"/>	<input checked="" type="radio"/>
Measure with the picture	<input type="radio"/>	<input type="radio"/>	<input type="radio"/>	<input type="radio"/>	<input type="radio"/>	<input type="radio"/>	<input checked="" type="radio"/>	<input checked="" type="radio"/>
Timer	<input type="radio"/>	<input type="radio"/>	<input checked="" type="radio"/>	<input checked="" type="radio"/>	<input checked="" type="radio"/>	<input checked="" type="radio"/>	<input checked="" type="radio"/>	<input checked="" type="radio"/>
Personalised favourites	<input type="radio"/>	<input type="radio"/>	<input type="radio"/>	<input type="radio"/>	<input checked="" type="radio"/>	<input checked="" type="radio"/>	<input checked="" type="radio"/>	<input checked="" type="radio"/>
Touch screen	<input type="radio"/>	<input type="radio"/>	<input type="radio"/>	<input type="radio"/>	<input type="radio"/>	<input type="radio"/>	<input checked="" type="radio"/>	<input checked="" type="radio"/>
Compass	<input type="radio"/>	<input type="radio"/>	<input type="radio"/>	<input type="radio"/>	<input type="radio"/>	<input type="radio"/>	<input checked="" type="radio"/>	<input checked="" type="radio"/>
Point-to-Point measurements	<input type="radio"/>	<input type="radio"/>	<input type="radio"/>	<input type="radio"/>	<input type="radio"/>	<input type="radio"/>	<input type="radio"/>	<input checked="" type="radio"/>
Smart angle measurement	<input type="radio"/>	<input type="radio"/>	<input type="radio"/>	<input type="radio"/>	<input type="radio"/>	<input type="radio"/>	<input type="radio"/>	<input checked="" type="radio"/>
Smart area measurement	<input type="radio"/>	<input type="radio"/>	<input type="radio"/>	<input type="radio"/>	<input type="radio"/>	<input type="radio"/>	<input type="radio"/>	<input checked="" type="radio"/>
DXF data capture	<input type="radio"/>	<input type="radio"/>	<input type="radio"/>	<input type="radio"/>	<input type="radio"/>	<input type="radio"/>	<input type="radio"/>	<input checked="" type="radio"/>
WLAN data transmission	<input type="radio"/>	<input type="radio"/>	<input type="radio"/>	<input type="radio"/>	<input type="radio"/>	<input type="radio"/>	<input type="radio"/>	<input checked="" type="radio"/>
Bluetooth SMART	<input checked="" type="radio"/>	<input checked="" type="radio"/>	<input checked="" type="radio"/>	<input type="radio"/>	<input type="radio"/>	<input checked="" type="radio"/>	<input checked="" type="radio"/>	<input checked="" type="radio"/>

Measuring with the Leica DISTO™

Simple, quick and accurate



Quick and efficient

Measure distances and tilts at the touch of a button, in just a few seconds! Saving you time and money.

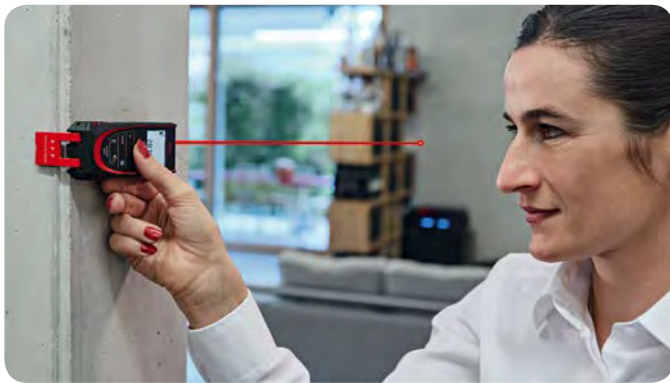
Precise and reliable

Measure distances to millimetre accuracy! Laser technology makes it possible.

Modern measuring

Technology from Leica Geosystems

Continuous further development and new technologies mean that the Leica DISTO™ provides comprehensive functionality. Equipped with a multitude of innovations, they are flexible and versatile across a wide range of applications. When in use, Leica DISTO™ excels through the highest accuracy and reliability.



Multifunctional end-piece

Measuring from edges or corners – with the flip-out end-piece you are equipped for any measurement situation. The integrated sensor automatically recognises the correct reference point. Expensive measurement errors are therefore prevented.



Fit for site, highly robust

All devices are protected against dust and splash water to a minimum of IP 54 making them well equipped for everyday site tasks. The Leica DISTO™ X310, D410, and D510 achieve IP 65 for ratings making them perfect for rugged job site conditions.



Smart Horizontal Mode

Thanks to the combination of distance and tilt measurements, you can quickly determine the horizontal distance precisely – even past obstructions.



Pointfinder and colour display

The digital Pointfinder, with its 4x zoom and large colour display, makes targeting easier over long distances. The high-resolution screen ensures a crystal-clear image, allowing you to measure perfectly, even in bright sunlight.



Integrated tilt sensor

The combination of distance meter and tilt sensor allows the user to take indirect measurements of distance and heights much more accurately than with conventional measuring methods.



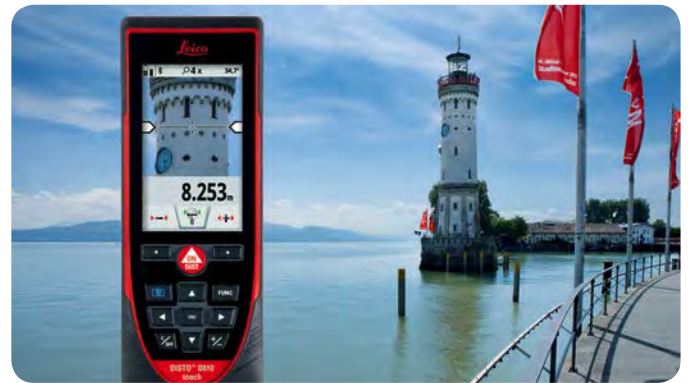
Data transfer

Integrated Bluetooth® technology enables measurement results to be transferred to your portable computer wirelessly and without any typing errors. Leica DISTO™ S910 even allows data transmission via a WLAN connection.



Camera function

Pictures of records or displays can be taken with the integrated camera and downloaded to a computer via a USB interface for perfect documentation of the measurement results.



Measure with a picture

Determining dimensions in a picture is revolutionary. Only the distance to the object is measured. Then the desired dimension can be marked using arrows in the display and the measured value appears.



P2P Technology

Using this innovative technology allows you to measure the distance between any two points from one position quickly and easily. To enable this, the Smart Base of the Leica DISTO™ S910 features new types of sensors that make angle information available.



Data capture in DXF files

By capturing real point data in DXF files, the as-built dimensions of objects can be further processed directly in CAD. The automatically stored pictures in the Leica DISTO™ allow users to assign and check results after measurements have been taken.



NEW



Bluetooth®
SMART

DISTO™ D1

Professional laser measuring for all

■ Fast and reliable

Measure distances in seconds, without help from another person, by just pressing a button. Avoid the risk of work accidents during cumbersome and dangerous measuring processes, e.g. when measuring heights.

■ Precision at the touch of a button

Thanks to its precise laser technology, the starter model Leica DISTO™ D1 always produces reliable measurement results. Operating the unit is very easy and intuitive. Trust the original laser distance meter.

■ The app for more functionality

The Leica DISTO™ D1 can be quickly and easily connected with the Leica DISTO™ sketch App. This means that documenting and sending measurements is as easy as pie.

40m
ليسا

Leica DISTO™

The right one for every job



DISTO™ D110

Small size – great possibilities

■ Small and handy

Thanks to its ergonomic design, the Leica DISTO™ 110 handles perfectly and is a joy to use. The self-explanatory keys ensure operation is quick and intuitive.

■ Bluetooth® Smart

The latest Leica App DISTO™ sketch is the ideal link between the Leica DISTO™ D110 and a smartphone or tablet. With it you can prepare layouts and drawings, and dimension them precisely.

■ Always at hand

The detachable pocket clip is a clever accessory for carrying the Leica DISTO™ D110 on your clothing. Use it to attach the unit to your trousers, shirt or jacket so that you have it always at hand.



DISTO™ D2

Compact device – long range

■ Long distances

With the help of the innovative X-Range Power technology this small device can measure long distances of up to 100 m. In addition, this technology ensures optimum measuring performance, i.e. fast and reliable measurements.

■ Useful functions

Functions such as addition and subtraction, area and volume calculations make every measurement task child's play. The instrument stores the last 10 measurement results.

■ Error-free data transfer

With the help of the integrated Bluetooth® Smart technology you can transfer your measurements directly to your smartphone or tablet and avoid expensive typing errors. You can further streamline your work process by using the clever and free Leica app DISTO™ Sketch.



reddot design award
winner 2013

DISTO™ X310

Robust multifunctionality

■ Robust

The precision measurement module is protected by solid rubber. The Leica DISTO™ X310 is therefore particularly resistant. Passes drop tests from up to 2 m height.

■ Protection class IP65

The housing and keypad are specially sealed against water jets and dust. Cleaning under running water is no problem.

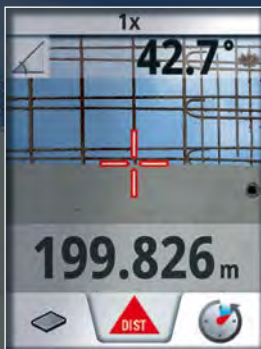
■ Tilt sensor 360°

Thanks to the combination of distance and tilt measurements, you can determine the horizontal distance absolutely precisely and simply – even over obstructions. With the help of the tilt sensor, you can also determine indirect heights.



Colour display and digital Pointfinder with 4x zoom

Precise targeting and measuring even in sunny conditions



The Pointfinder allows the user to target distant objects quickly and easily in bright sunlight. Even if the laser dot cannot be seen with the naked eye, the target appears clearly on the large colour display. The high-resolution screen ensures a crystal-clear image. Distance measurements are absolutely precise over long distances.



Leica DISTO™ D410 and D510

Precise targeting with the Pointfinder



 **Pointfinder**
4x zoom

DISTO™ D410

Simple outdoor functionality



 **Pointfinder**
4x zoom

 **Bluetooth®**
SMART

DISTO™ D510

Outdoor functionality and App

■ Modern user interface

All functions can be clearly seen on the functions display and simply selected. Your favourite functions can be assigned to a pair of selection keys, for quick access with a single button press. The integrated, easy-to-understand help function does not leave you in the lurch on site.

■ Protection class IP65

The housing and keypad are specially sealed against water jets and dust. Cleaning under running water is no problem. Thus the Leica DISTO™ D410 always delivers reliable measurements, whether in sun or in rain.

■ Smart Horizontal Mode

Even if obstructions such as walls, hedges or people stand in the direction of the target, the Leica DISTO™ D410 quickly comes up with an accurate result thanks to the "Smart Horizontal Mode". One measurement is enough for the required horizontal distance to appear on the display.

■ Bluetooth® Smart

Bluetooth® Smart technology allows data transfer to smartphones and tablets. In addition to the smart free App Leica DISTO™ sketch, there is also a host of other Apps to allow you to work efficiently and avoid typing errors when recording measurement results.

■ Tilt sensor 360°

Using the tilt sensor, you can quickly and easily determine tilts. The tilt sensor also allows you to measure absolutely horizontally or measure past obstructions. The results are guaranteed to be reliable.

■ Smart measuring

The combination of tilt sensor and Pointfinder opens up some astounding ways of taking indirect measurements. Measurements can also be taken from objects that do not have a suitable reflective target point, e.g. when determining the height of a tree or when measuring the height of a reflecting glass facade. This would not be possible with a conventional laser distance meter.



The world's first

Measuring in pictures with the optical zoom



4x 34.7"

20.501_m

← →

Leica DISTO™ D810 touch

The smart solution to measuring and documenting



Pointfinder
4x zoom



Measuring sloped objects



Precise targeting with the Pointfinder

■ Simply touch-it!

Large touch screen for quick and intuitive operation. Using common gestures such as swipe and zoom with two fingers, all the functions are simply and easily accessible. Measurements can also be taken using the touch screen. This avoids unintentionally moving the Leica DISTO™ D810 touch during the measurement.

■ Measure with a picture

It has never been easier to determine the width, height, area or even the diameter of an object. One measurement at right angles to the object is all it takes. Then the desired dimension is marked using two arrows in the picture and the measured value appears in the display. In addition to the zoom stages on the Pointfinder, an overview camera is available for large objects.

■ Documentation using pictures

The camera function on the Leica DISTO™ D810 touch can be used to create pictures or screen shots for recording purposes, which can then be downloaded to a computer via the USB interface. Thus no details about the measured target points need be lost.

■ High precision

The Leica DISTO™ D810 touch offers a number of indirect measuring functions. Due to the specially developed tilt sensor the results are very precise. Even more accurate results can be achieved using the Leica FTA360 tripod adapter with fine drive because this adapter allows exact targeting.

■ Flexible data transfer

In keypad mode, you can link your Leica DISTO™ D810 touch to your computer and send measured values in the form of a keyboard entry to any program. This provides a high degree of flexibility.



The world's first
Measure anything from anywhere
with P2P Technology



Leica DISTO™ S910

Measure point data and create plans



P2P TECHNOLOGY
by Leica Geosystems

DXF DATA
CAPTURE



Pointfinder
4x zoom

X-RANGE
POWER TECHNOLOGY

Bluetooth
SMART

WLAN



Real-time transfer of point coordinates



Measuring points and areas

■ Measure from point to point

Equipped with P2P Technology, the Leica DISTO™ S910 revolutionises measurement using hand-held laser distance meters. The integrated Smart Base enables to measure distances (e.g. widths) between any two points from one location. The combination of the Smart Base and the integrated tilt sensor opens up completely new possibilities making the Leica DISTO™ S910 the most versatile laser distance meter on the market.

■ Capture measurement data in CAD format

Another world's first! The Leica DISTO™ S910 can save all the measured points into a DXF file, as a floor plan, wall layout or even as 3D data, which can be downloaded later in the office to a PC via the USB interface. To provide you with complete and reliable documentation, the Leica DISTO™ S910 also stores all the pictures showing where you measured to. This simplifies the task of creating more accurate drawings, or smoothes the process of quality checks.

■ Real-time transfer of point data

Measurement data can be transferred directly on site over the WLAN interface to a portable computer to be further processed in your preferred software. Establishing the connection is extremely easy – similar to a hotspot. You can transfer as many measurement points as you like – with or without pictures – and create or check documentation in real-time. The free Leica DISTO™ transfer with Plugin software also supports the transfer of your results into AutoCAD® and BricsCAD®.

■ 300 m range with X-Range Power Technology

With the innovative X-Range Power Technology on board, the Leica DISTO™ S910 represents the measuring technology of the future. It achieves ranges of up to 300 m and guarantees the best measuring performance, i.e. quick and reliable measurements, even to poorly reflecting objects or in bright sunshine. The range and accuracy are tested in accordance with ISO 16331-1. Consequently, the Leica DISTO™ S910 keeps its promises.



Leica DISTO™ sketch App

Take your office to the construction site

The smart App “Leica DISTO™ sketch” is the ideal link between the Leica DISTO™ with Bluetooth® Smart and a smartphone or a tablet. It allows you to create and precisely dimension sketches and pictures. The files can then be sent directly to the office. This simplifies and speeds up work flow.

Leica DISTO™ sketch



■ Create a scale drawing

Draw a sketch simply using your finger on the touch screen of your smartphone or tablet. Your freehand lines will be automatically straightened. The results of your measurements can be just as easily assigned to the relevant lines. The “Auto-scale” function adjusts the line lengths automatically to create a scale drawing. In addition, layout drawings show the square area and circumference.

■ Dimension objects in pictures

If you take a photograph with your smartphone or tablet, you can transfer the dimensions from the Leica DISTO™ using Bluetooth® Smart and add the appropriate distances to the picture. This allows you to document all measurement results and then assign them correctly in the office.



■ Integrating detailed sketches

Create and dimension a sketch or an image and add it to an existing sketch, e.g. to a plan view. Any quick sketch can be augmented with detailed information. This offers a completely new way of recording information in documentation.

■ Checking construction drawings

Compare a PDF drawing that you have opened on your smartphone or tablet with reality and add any measurements taken, notes, sketches or pictures. This allows you to have all the information together in a single document.

Software and Apps at a glance

	Windows 7	From Windows 8.1	iOS (Instruments with Bluetooth 4.0)	Android from 4.3 (Instruments with Bluetooth 4.0)
	www.disto.com	www.disto.com		
Leica DISTO™ D1 Leica DISTO™ D110 Leica DISTO™ D2 neu Leica DISTO™ D510 Leica DISTO™ D810 touch Leica DISTO™ S910 Bluetooth® 4.0	—	Leica DISTO™ transfer*	Leica DISTO™ sketch	Leica DISTO™ transfer BLE Leica DISTO™ sketch
Leica DISTO™ S910 WLAN	Leica DISTO™ transfer*	Leica DISTO™ transfer*		

* incl. plugin for AutoCAD and BricsCAD

Further interesting Apps in the field of measurement can be found in the relevant Appstores.

Leica DISTO™ packages

Compact packages for professional measurements

Leica DISTO™ S910 package

This package is the complete professional system for convenient aiming, precise measurements of point data and creating drawings. It consists of the Leica DISTO™ S910, the Leica FTA360-S tripod adapter and the Leica TRI 70 tripod. The instrument and accessories come in an attractive, robust case.



Leica DISTO™ D810 touch package



This package is the complete professional system for convenient aiming, precise measurements and documenting the results with pictures. It consists of the Leica DISTO™ D810 touch, the Leica FTA360 tripod adapter and the Leica TRI 70 tripod. Everything is supplied in an attractive, robust case.

Leica DISTO™ D510 package



This package is the perfect outdoor combination for convenient aiming and precise measurements, even in bright sunshine. The clear arrangement of the Leica DISTO™ D510, Leica FTA360 tripod adapter and Leica TRI 70 tripod in a robust case means you always have everything safe and at hand.

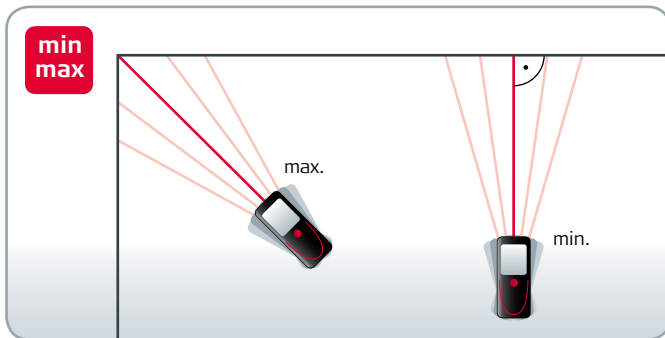
Leica DISTO™ and Lino package



This package contains everything you need for precise and reliable measuring and aligning. The Leica DISTO™ D210, the Lino L2 cross line laser and the TRI 70 tripod are safely stowed and ready for action in the attractive, robust case.

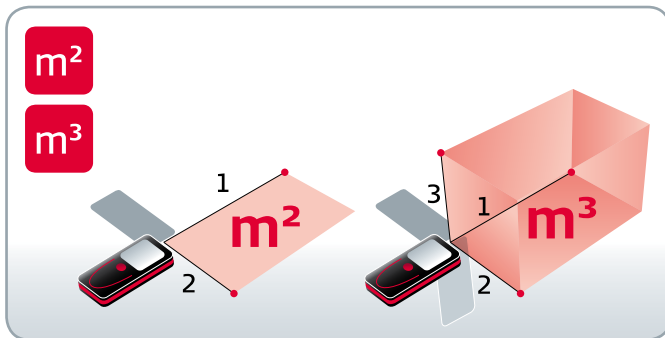
Any measurements are possible

Distances, areas and volumes



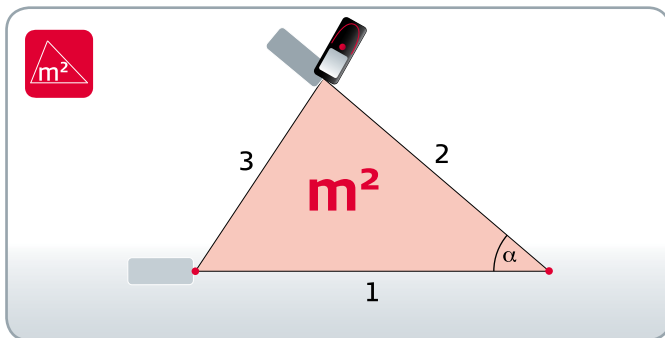
Minimum/maximum measurements

The maximum measurement is very helpful, e.g. for finding out the room diagonal. The minimum measurement can be used to measure at right angles to a wall.



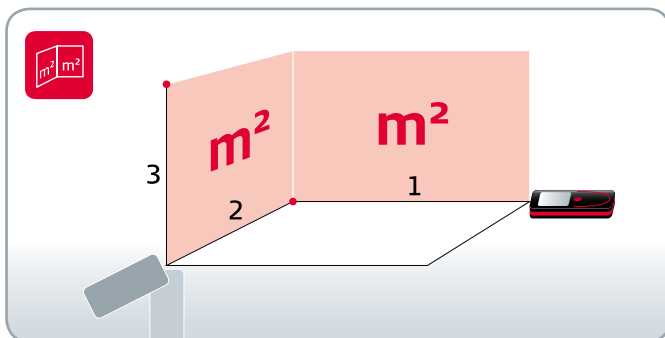
Area and volume measurements

With only two or three measurements, you can quickly and precisely calculate the area of a ceiling, floor or wall, or the volume of a room. No need to note down the individual values! The result is calculated automatically and shown on the display.



Triangle and room angle function

The triangle function helps you to calculate, quickly and efficiently, the area of a multicornered room. Divide the room into imaginary triangles. Using only three measurements, determine the area of each triangle, which you can add up cumulatively. Pressing a key gives you a detailed display of the room angle, so that you can e.g. quickly check whether it is a right angle.

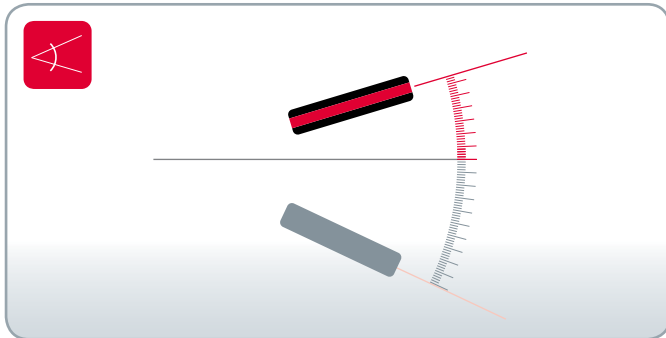


Painter function

With this function you can determine e.g. the total wall area of a room without having to note down any intermediate results. Simply measure the lengths of the walls, which you can add or subtract as required. Finally measure the room height, which is then automatically multiplied by the previously calculated value.

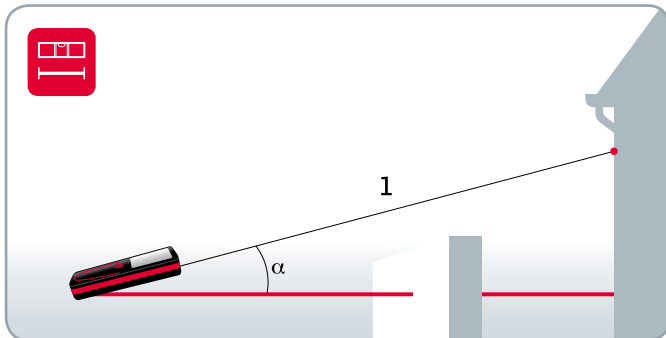
Precise indirect measurements

Measuring with the tilt sensor



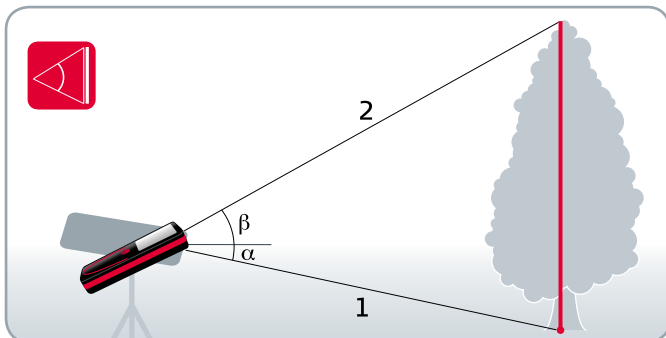
Tilt measurement

The tilt sensors in the Leica DISTO™s can measure inclinations up to $\pm 45^\circ$, or even have a measurement range of 360° . This means you can also measure inclinations over your head. This is particularly interesting for people who wish to determine roof slopes.



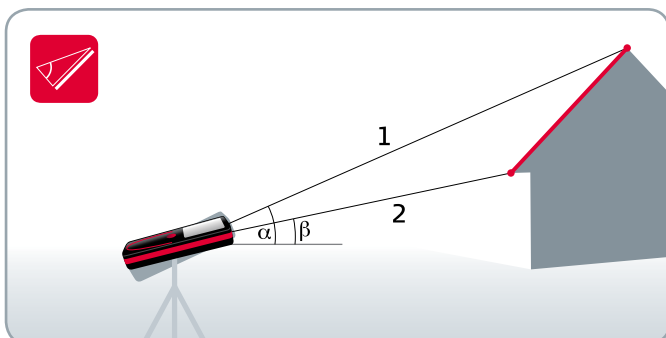
Smart Horizontal Mode

The desired horizontal distance is determined using the tilt measurement, even if the object cannot be directly targeted horizontally. This function is very helpful, e.g. if walls, hedges or people are between the instrument and the target.



Height tracking

You can determine the heights of buildings or trees that have no suitable reflective points by using the height tracking function. Target with the Pointfinder on the bottom point of the height to be measured and take a measurement. Then target on the top point of the object. The display then shows the height.

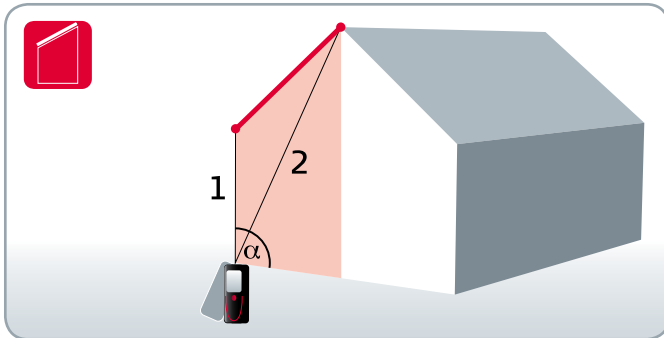


Sloped object measurement

With this function, you can e.g. determine the roof slope of a house, even from a long distance away. To do this you take two distance measurements and the Leica DISTO™ determines the tilt at the same time. Additional detailed information, e.g. the distances and the inclination between the measured points, is also provided.

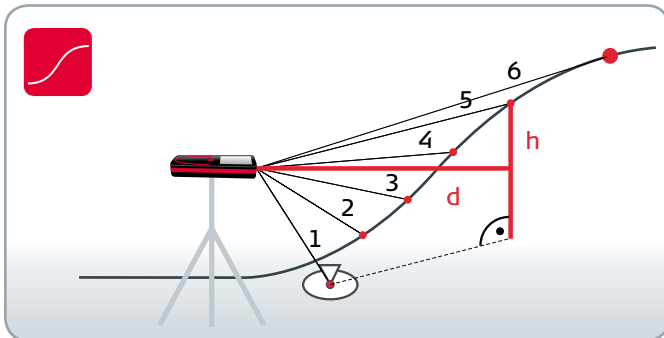
Still more measurement possibilities

Special functions



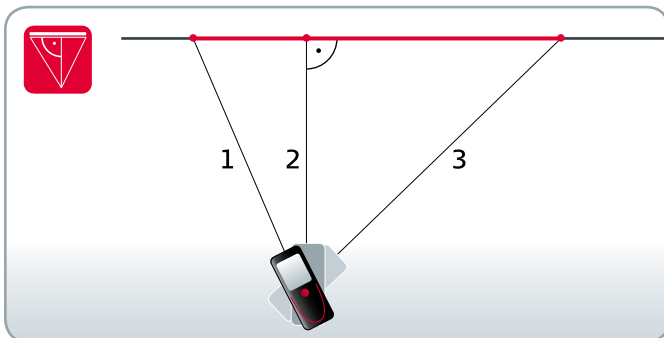
Trapezium measurements

Using the trapezium function, you can quickly and reliably determine e.g. roof slopes and facade areas. You need only two measurements. The integrated tilt sensor determines the tilt at the same time.



Height profile measurements

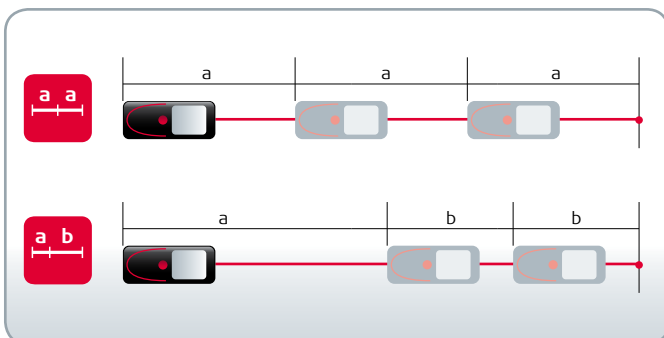
Target the device on a known reference mark and then measure the height differences of other points relative to this. If the measured points are taken all in one direction the profile of the ground can be determined from the measured horizontal distances and the height differences.



Pythagoras functions

Using the tripod, you can measure distances indirectly, horizontally and vertically. The Leica DISTO™ calculates the result automatically for you from three measurements. Functions such as automatic minimum and maximum measurements help you to measure the right point.

Partial heights, e.g. balcony or window heights, are determined by Pythagoras.

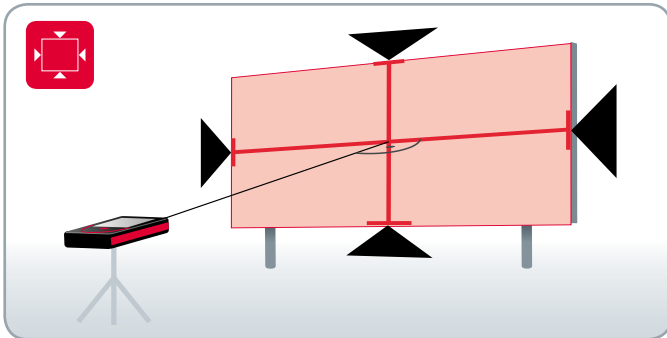


Stake-out function

One or two different distances (a and b) can be entered into the device and then used to subtract from defined measured lengths. The display always shows the current stake-out distance and a direction arrow. At a distance of 0.1 m to the next stake-out point, an acoustic signal sounds.

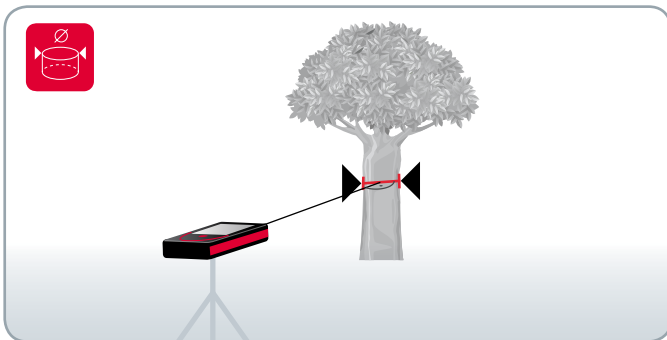
The world's first

Measure and document with pictures



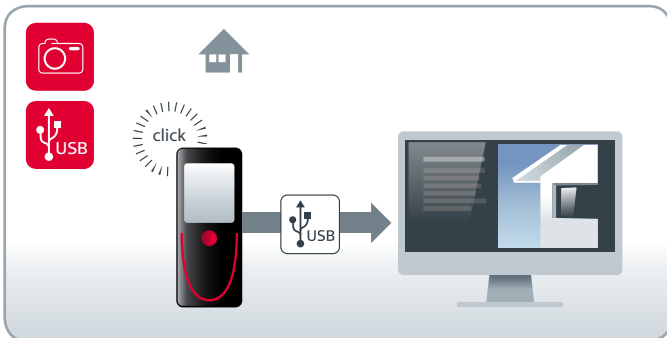
Measuring widths, heights and areas

You measure at right angles to the object. The object appears in the display and then you can mark the required dimension with the arrows. The display then shows the value. In this way you can, for example, measure the width, height and area of an advertising board using only one distance measurement.



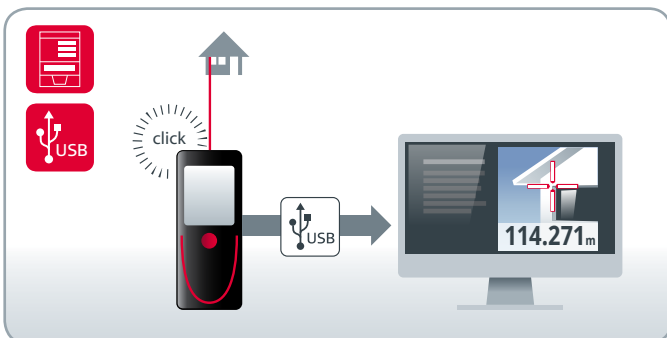
Diameter measurement

Measure to the centre of the object with the device. The object appears in the display and then you can mark the diameter with the arrows. The display then shows the result. This function is ideal, for example, for determining the diameter of a tree trunk.



Take pictures with the overview camera

Take pictures for record purposes and download them to your computer using the USB interface. The integrated overview camera gives you more image information. With tricky measurements for example, you can photograph and record target points or specific features.

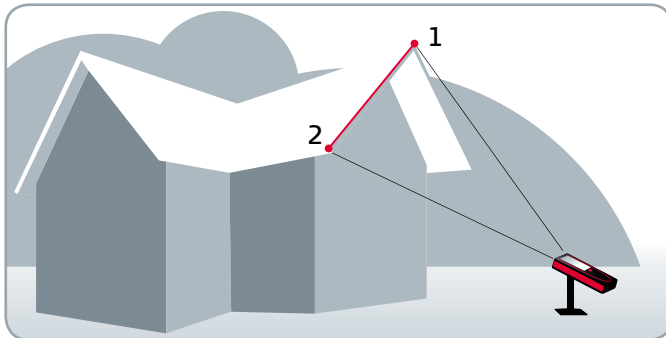


Screen shots

This function is outstandingly suitable for recording information about measurements. You can save all information appearing in the display, i.e. the measurement results and the view of the Piontfinder, and then transfer it over the USB interface to a computer. This ensures every measurement is always clearly identified.

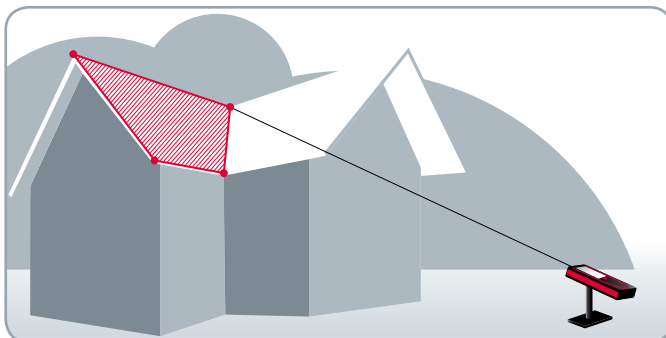
The world's first

Measure point data and create plans



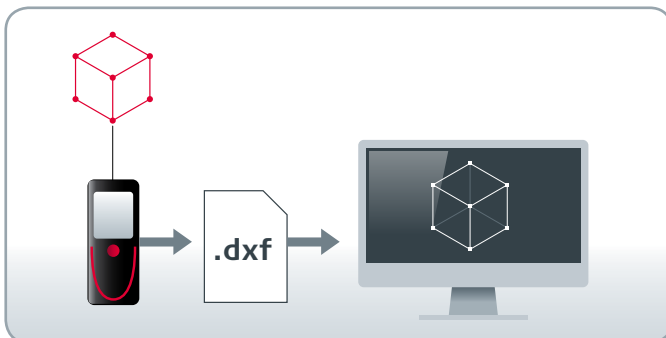
Point-to-Point measurement

Fold out the Smart Base on the Leica DISTO™ S910 and position the instrument on a stable surface. After targeting and measuring the start and end points of the distance to be measured the required result appears on the display. If the instrument has been levelled, it determines the height difference, the horizontal distance and the inclination of the measured line. Using this function, it is very easy to measure lengths or widths on a roof, for example.



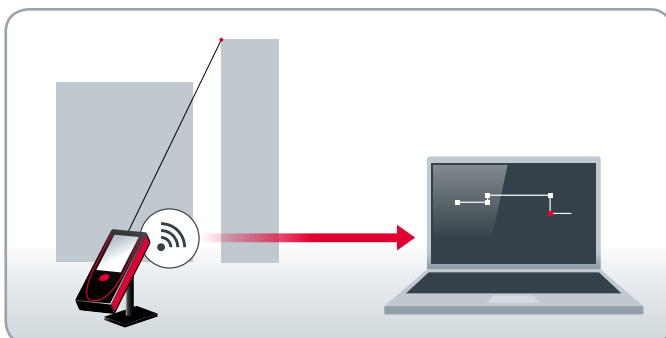
Smart area measurement

Determine the area and the perimeter of horizontal, vertical and even inclined areas from one point. This is done by positioning the folded out Smart Base on a stable surface and targeting the corner points of the area to be measured, in either a clockwise or anticlockwise direction. Using this method, you can quickly and easily measure complex floor, wall, ceiling or inclined roof areas.



Data capture in DXF files

After levelling the Leica DISTO™ S910 with the folded out Smart Base, you can measure points and save them in a DXF file. The files are then available for you to download by USB. The 2D DXF files present floor plans or wall layouts; the 3D DXF files provide you with the measured points in 3D for further processing. As long as the Pointfinder was switched on, you will also be able to download the pictures of the measured points.



Point data transfer

Using the WLAN interface and the Smart Base, you can transfer any number of points in real-time to a portable computer. Leica DISTO™ transfer with Plugin also supports data transfer into AutoCAD® and BricsCAD®. The data can also be transferred into other third-party software. In these cases, you can make direct use of the full range of functions of your preferred software. This function is ideal for checking existing datasets or preparing new drawings of existing buildings.

PROTECT by Leica Geosystems

We always protect your success!



In addition to comprehensive technical knowledge, thinking holistically about the needs and requirements of our customers has the highest priority at Leica Geosystems. Close cooperation with practical professionals leads to user-friendly products that fulfil the customers' expectations perfectly.

Our products provide a high level of reliability, accuracy and robustness – even in the roughest jobsite conditions. They increase the productivity and success of our customers. With PROTECT by Leica Geosystems, we offer a first-class service where customers can count on us, anytime, anywhere.

Lifetime Manufacturer's Warranty

Our promise – your peace of mind

Our lifetime manufacturer's warranty guarantees the quality and reliability of our products. However, should a device fail because of defects in material or workmanship, we will repair or replace it free of charge.

3 Years No Cost Period

The all-round service from the specialists

Simply register your Leica DISTO™ within eight weeks of the date of purchase at <http://myworld.leica-geosystems.com> and extend this exclusive service from two to three years.

Certified Quality

Assured reliability

The range and accuracy of all Leica DISTO™s are checked in accordance with ISO 16331-1. As a result, you can be sure that the performance of the instrument is maintained not only in the test laboratory but even more importantly on everyday site tasks.



Swiss Technology

Innovative products and first-class quality

Our devices are manufactured all over the world in state-of-the-art production centres, where Swiss precision, extraordinary craftsmanship and cutting-edge technology go hand-in-hand. Continuous and extensive tests throughout all stages of development and production ensure our products meet the highest standards for precision and quality.

PROTECT is subject to Leica Geosystems International Limited Warranty and PROTECT General Terms & Conditions set out under www.leica-geosystems.com/protect.

* Available through free online registration within 8 weeks from the purchase date.

Leica DISTO™

Original accessories



POWERLINE 4 LIGHT charger

For charging 4 rechargeable batteries; type AA or AAA; with 4 adapters for worldwide use; including 4 rechargeable batteries type AA / 2300 mAh
Art. No. 806 679



Mini USB car charger

For charging the Leica DISTO™ with USB interface; extremely small – even fits under socket covers; output: 5V/1 amp
Art. No. 806 566



UC20 Universal quick charger

For charging 2 rechargeable batteries; type AAA; with 4 adapters for worldwide use; including 2 rechargeable batteries type Micro AAA NiMH/800mAh
Art. No. 788 956



Leica TRI 70 tripod

The small portable tripod is intended for everyday use. Its features include easy fine adjustment and a bubble level. Extendible length from 0.40 m to 1.15 m. Ideal with the Leica TA360 or FTA360 adapter.
Art. No. 794 963



Leica TRI 100 tripod

Quality tripod with bubble level, very easy fine adjustment. Extendible length from 0.70 m to 1.74 m.
Art. No. 757 938



Leica TRI 200 tripod

Very rugged but lightweight aluminium tripod with ¼" fixing screw, bubble level and clamp for easy mounting. Can be extended from 0.75 m to 1.15 m. Ideal with Leica FTA360 or FTA360-S. Art. No. 828 426
Art. No. 828 426



Leica GZM3 target plate

The new target plate is the perfect accessory for measuring templates, worktops etc. – wherever shapes have to be captured. Edges, curves, markings and corners can be measured in any position.
Art.No. 820 943



Leica GZM27 target plate

Stick-on target plates for fixing on to edges and corners.
Size: 147 × 98 mm.
Art.No. 723 774



Leica GZM26 target plate

For measurements on to poorly reflective surfaces. Two-sided – grey side for shorter distances and brown for longer.
Size: 210 × 297 mm.
Art.No. 723 385



Leica GZM30 target plate

Stick-on target plates for placing on ground markers.
Size: 274 × 197 mm.
Art.No. 766 560



Leica FTA360 adapter

Sturdy adapter with fine drive for convenient and precise targeting. The adapter eases the task of targeting, above all over long distances, and reduces the discrepancies to a minimum when taking indirect measurements. Particularly well suited to Leica DISTO™ D510 and D810 Touch in combination with Leica TRI 70, TRI 100 and TRI 200 tripods.
Art.No. 799 301



Leica FTA360-S adapter

Sturdy adapter with fine drive for convenient and precise targeting. The adapter eases the task of targeting, above all over long distances, and results in minimum discrepancies when taking indirect measurements. For use with Leica DISTO™ S910 in combination with Leica TRI 70, TRI 100 and TRI 200 tripods.
Art.No. 828 414



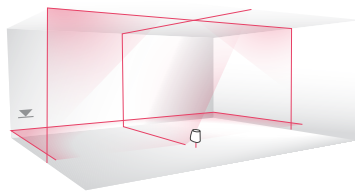
GLB30 Super-light laser visibility glasses

For better visibility of the laser dot outdoors. With 3 different lenses: laser visibility glasses, safety glasses and sun glasses.
Art.No. 780 117

Leica Lino point and line laser

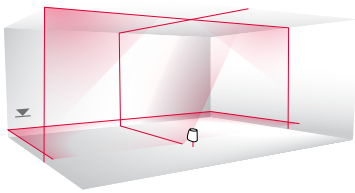
Excel on every point across the whole range

Leica Lino lasers offer excellent visibility with precise lines or points. They are quick and easy to set up thanks to the self-levelling system. Whether you want to use it for levelling or horizontal or vertical aligning, the right Leica Lino is available for each application. You can rely on the tried-and-tested quality of Leica Geosystems.



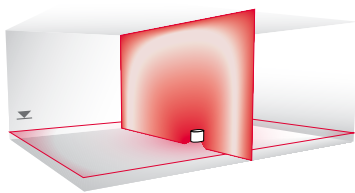
Leica Lino ML180 (ML90 manual version)

With the Smart Targeting function it is possible to produce layout drawings very efficiently without help from another person, even involving long distances. The laser line is aligned with the XCR Catch receiver by just pressing a key. When producing layouts of up to 100 m, accuracy is extremely important in order to prevent expensive errors. This is where the precision of the electronic self-levelling system provides a real advantage.



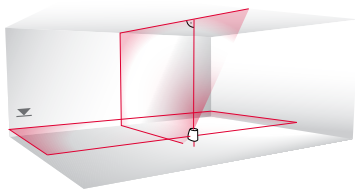
Leica Lino L4P1

The most versatile: with its multi-line projection it is possible to cover a wide range of applications. In addition, it can be turned by 360° on a base plate, thus facilitating simple and easy marking of 90° anywhere in the room. It is easy to replace the Li-Ion batteries with 24 hours of operation with normal alkaline batteries.



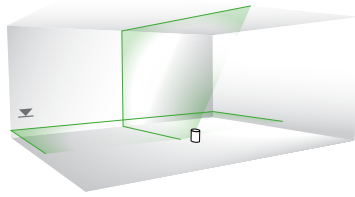
Leica Lino L360

Thanks to the projection of a precise 360° laser line this chargeable laser is ideal for transferring height measurements and reference points.



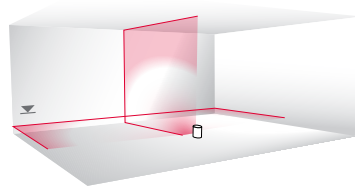
Leica Lino L2P5

The small and handy all-rounder for quick setting-out, layout and alignment jobs.



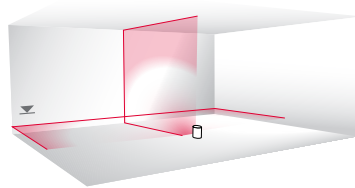
Leica Lino L2G+

The green cross line laser with up to 4-fold improved visibility.



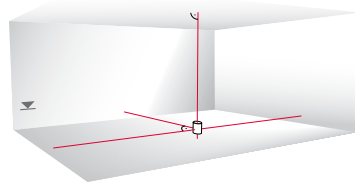
Leica Lino L2+

The handy cross line laser with extra-long laser lines for horizontal and vertical aligning.



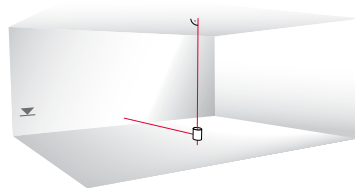
Leica Lino L2

The tried-and-tested cross line laser for easy horizontal and vertical aligning.



Leica Lino P5

The 5-point laser for quick setting-out and layout jobs and for easy upward and downward vertical aligning.



Leica Lino P3

The 3-point laser for quick upward and downward vertical aligning.

Leica DISTO™ Series at a glance

Technical data



Technical data	D1	D110	D2	X310
Typ. measuring accuracy	± 2.0 mm	± 1.5 mm	± 1.5 mm	± 1.0 mm
Range	0,2 up to 40m	0.2 up to 60m	0.05 up to 100m	0.05 up to 120m
Measuring units	m, ft, in	m, ft, in	m, ft, in	m, ft, in
Power Range Technology	○	○	○	●
X-Range Power Technology	●	●	●	○
Distance in m	10m	10, 50m	10, 50, 100m	10, 50, 100m
Ø of the laser dot in mm	6mm	6, 30mm	6, 30, 60mm	6, 30, 60mm
Tilt sensor measuring range	○	○	○	360°
Accuracy to the laser beam	○	○	○	± 0.2°
Accuracy to the housing	○	○	○	± 0.2°
Units in the tilt sensor	○	○	○	0.0°, 0.0%
Smart Base measuring range				
Horizontal	○	○	○	○
Vertical	○	○	○	○
Distance in m	○	○	○	○
Typical tolerance of the P2P function				
Levelling range	○	○	○	○
Levelling accuracy	○	○	○	○
Pointfinder with 4x zoom	○	○	○	○
Overview camera	○	○	○	○
Picture file format	○	○	○	○
Memory	○	○	10 results	20 displays
Memory for pictures	○	○	○	○
CAD data format	○	○	○	○
Memory for CAD files	○	○	○	○
Time delay release (timer)	○	○	●	●
Display illumination	●	●	●	●
Free software for Windows	●	●	●	○
Free App	iOS/Android	iOS/Android	iOS/Android	○
Data interface*	Bluetooth® SMART	Bluetooth® SMART	Bluetooth® SMART	○
Measurements per set of batteries	up to 10'000**	up to 10'000**	up to 10'000**	up to 5000
Service life of battery	up to 20 hours	up to 20 hours**	up to 20 hours**	up to 10 hours
Multifunctional end-piece	○	○	●	●
Tripod thread	○	○	○	●
Batteries	type AAA 2×1.5V	type AAA 2×1.5V	type AAA 2×1.5V	type AAA 2×1.5V
Charging time	○	○	○	○
Protection class	IP 54	IP 54	IP 54	IP 65
Dimensions	115×43.5×23.5 mm	120×37×23 mm	116×44×26 mm	122×55×31 mm
Weight with batteries	87 g	92 g	100 g	155 g

*) System requirements and other details can be found at www.disto.com

***) Reduced in Bluetooth® or WLAN mode



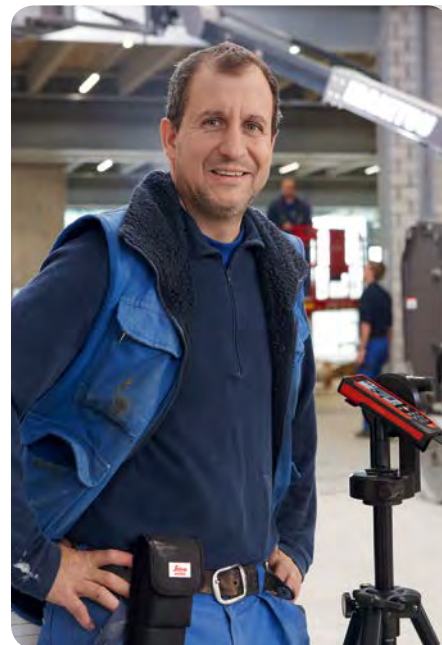
Josef Roth (tiler)

"As a tiler I often have to measure distances and calculate square areas. With the Leica DISTO™ D2 this is all accurately done by just pressing a button. Thanks to Bluetooth® and the DISTO™ Sketch app I can then record everything straightaway on my smartphone."



Jürgen Vallaster (Site operative)

"Thanks to the Leica DISTO™ X310 with its integrated tilt sensor, I can easily manage a wide range of measuring situations. And I am astounded how robust it is."



Erdinc Sönmez (Sanitary Engineer)

"It is simple to set up and measure all the distances from one point, even those on the ceiling. The DISTO™ S910 saves me a lot of time."

Dealer stamp