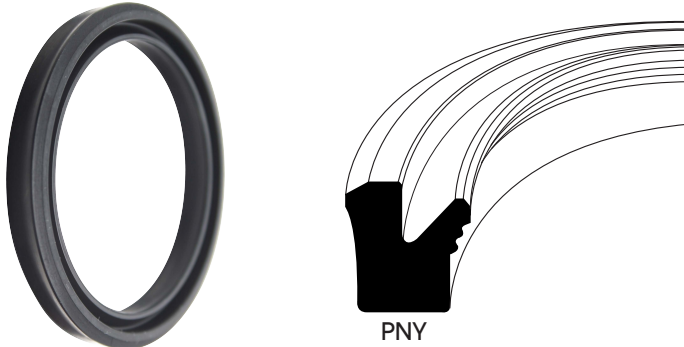


Rod Seals

PNY

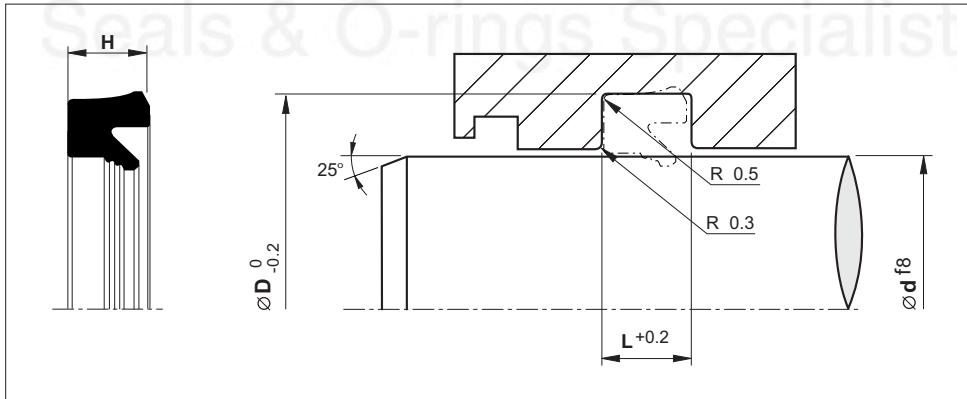
(Metric Size)



Material	Pressure (Bar)	Temp. (°C)	Speed (m/s)
NBR	10	-25 +80	1

- Non lubrication required.
- Exclusively for rod.
- High wear resistance.
- Low friction.

Installation Recommendation



Surface roughness	Ra	Rt
-------------------	----	----

Sliding surface	$\leq 0.3 \mu\text{m}$	$\leq 4 \mu\text{m}$
Surface of housing	$\leq 1.8 \mu\text{m}$	$\leq 10 \mu\text{m}$
Sides of housing	$\leq 3.0 \mu\text{m}$	$\leq 16 \mu\text{m}$

# Rod Seals - PNY



(Metric Size)

Rod Dia.	Groove Dia.	Seal Hight	Groove Width	Reference (For order processing)
d	D	H	G	
16.0	24.0	5.2	5.7	PNY-016
18.0	26.0	5.2	5.7	PNY-018
20.0	28.0	5.2	5.7	PNY-020
22.0	30.0	5.2	5.7	PNY-022
22.4	30.0	5.2	5.7	PNY-022.4
25.0	33.0	5.2	5.7	PNY-025
28.0	36.0	5.2	5.7	PNY-028
30.0	40.0	6.5	7.0	PNY-030
32.0	42.0	6.5	7.0	PNY-032
35.0	45.0	6.5	7.0	PNY-035
35.5	45.5	6.5	7.0	PNY-035.5
36.0	46.0	6.5	7.0	PNY-036
40.0	50.0	6.5	7.0	PNY-040
45.0	55.0	6.5	7.0	PNY-045
50.0	60.0	6.5	7.0	PNY-050
55.0	65.0	6.5	7.0	PNY-055
60.0	70.0	6.5	7.0	PNY-060
63.0	73.0	6.5	7.0	PNY-063
70.0	80.0	6.5	7.0	PNY-070

Seals & O-rings Specialist