

Hydraulic Reservoir Product Listing



**Standard
Reservoirs**



**Custom
Reservoirs**



Accessories



Engineered Quality Products Since 1916

Standard Technologies is a dynamic company known for its engineered quality products across many industries since 1916. From the company's inception, all the way through today, Standard has built a reputation on producing exceptional products. We have produced industrial battery trays, mine battery trays, fuel tanks & systems, hydraulic reservoirs, and customized products for decades.

Our diverse customer base is the result of assembling high quality products, delivering competitive pricing, establishing short lead times, and following through with excellent customer service. Standard believes that adhering to these company principles has brought us to where we are at today.

We have committed ourselves to building better products, listening to our customers, and relying on our employees to keep Standard Technologies an industry leader.

For more information about our hydraulic reservoirs or to schedule an appointment, please call us today at 419-332-6434.



Hydraulic Reservoirs

Standard Technologies is fully equipped to manufacture and meet all of your hydraulic reservoir requirements. We provide full technical design support through our engineering staff. From complicated system design to production of common reservoir sizes, Standard can assist you with both.

Our technical and engineering personnel are here to assist you when you require support in the conception or design of your products. We can help you incorporate your product into today's competitive marketplace. Our team of expert engineers, designers and estimators are here to implement your ideas, select raw materials, assemble entire systems, and assess your production costs. Our production department utilizes high-performance tools and machinery to deliver quality products. Our team regularly performs quality tests to meet the specific product requirements. In addition, we offer our employees extensive training and ongoing certification.

Standard has built a reputation on building and maintaining excellent relationships with all of its customers. With our total customer support program, Standard has solidified relationships that last for years.

Manufacturing Standards

Standard Technologies' hydraulic reservoirs adhere to all current regulations. All reservoirs are pressure and leak tested to ensure high quality standards are maintained. These standards are achieved by our production employees who are certified in a variety of welding processes:

- Certified pressure testing conducted in-house
- Quality control standards consistently implemented

Related Product Lines

Standard Technologies also designs a full line of related products for many applications. Please contact our sales department for these and other products:

- Generator Tanks
- Fuel Tanks
- Fillneck Systems
- Battery Enclosures

Hydraulic Reservoirs - Available Options

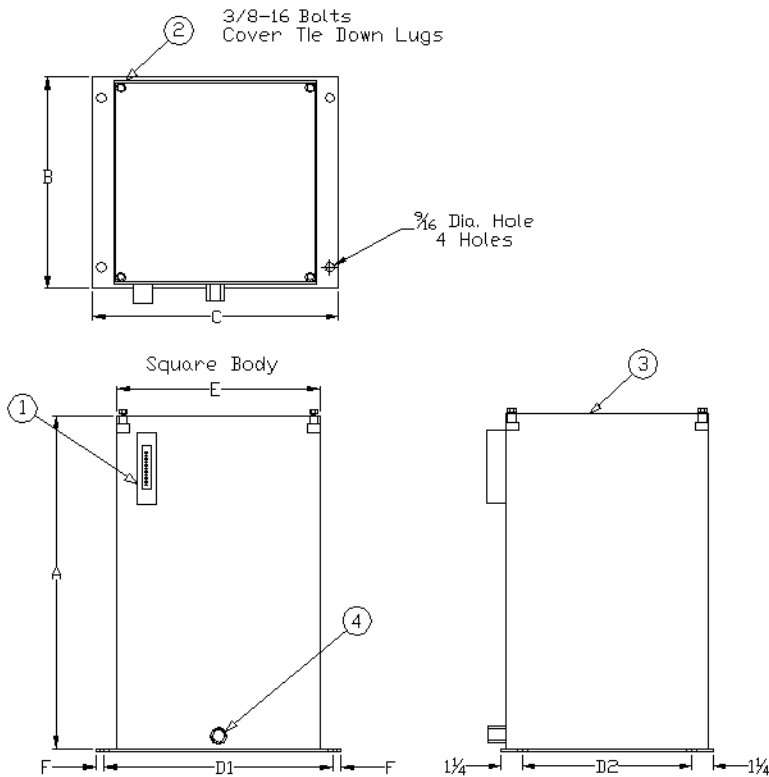
We offer a wide variety of reservoirs in standard and custom sizes constructed from different alloys:

- Steel, Stainless Steel, or Aluminum
- JIC, T&L Shaped, Horizontal, Vertical, DIN, and Custom Reservoirs
- In-house powder coating to match your application
- Containment Trays and Stands
- Elevated Reservoir Stands
- Installed Couplings and Down Lines
- Mounting Plates

Reservoir System Design

Our team of engineers will work with you to fully design and build your custom reservoir(s). Having established relationships with OEMs and component manufacturers allows Standard Technologies to build and assemble complete systems. We work with your design team, as well as your procurement departments, to ensure cost effectiveness at every step.

Vertical Reservoirs - VR1 Series



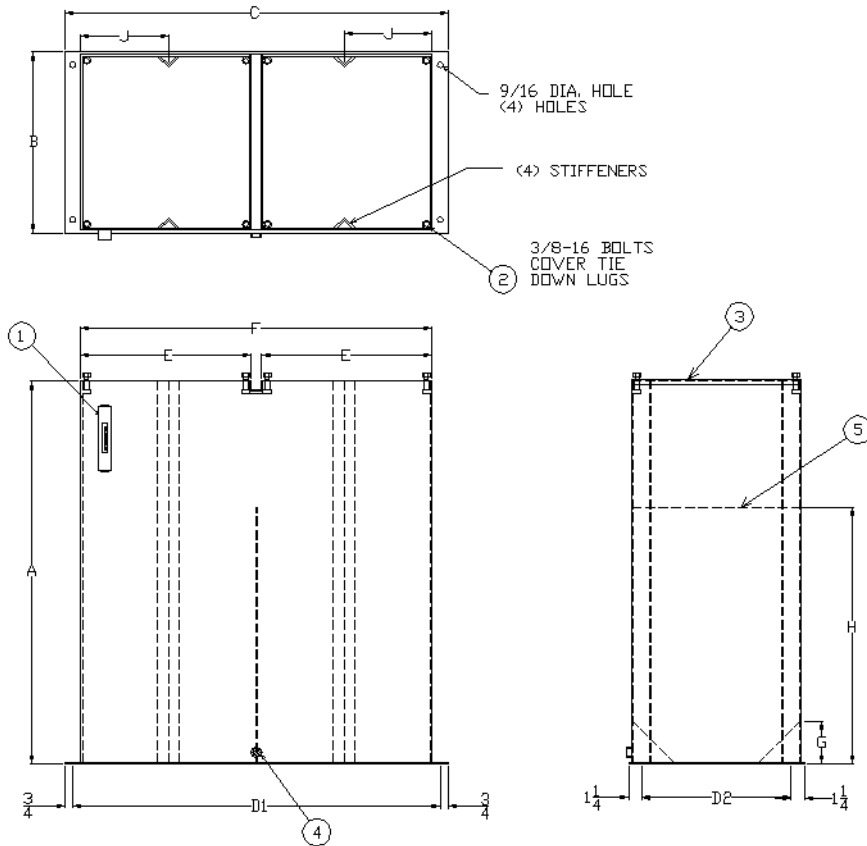
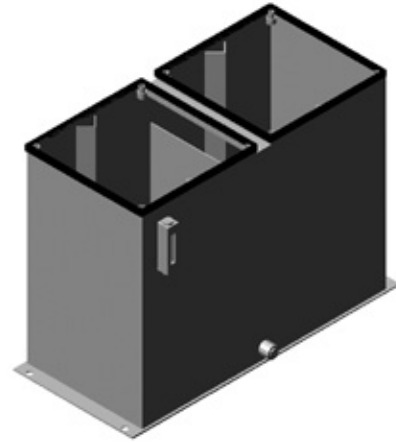
This product includes:

1. Oil Level and Temp. Gauge
2. Cover Mounting Bolts
3. Gasket for cover plate (cover plate not included)
4. 1/2" NPT Drain
 - Exterior- prime painted
 - Interior- rust inhibitor

*Sight gauge shipped loose inside reservoir,
Filler Breather included with cover plate*

Part Number	Capacity Gallons	Dimensions								End Cover	Sight Gauge	Material Thickness			
		A Height	B Width	C Length	D1 Mounting Centers	D2 Mounting Centers	E	F	Ends			Top	Body	Baffle	
STVR1005	5	10	12 1/2	14 1/2	13 1/2	10	12	1/2	N/A	STSG05	10 Ga.	N/A	10 Ga.	N/A	
STVR1010A	10	19 11/16	12 1/2	14 1/2	13 1/2	10	12	1/2	N/A	STSG05	10 Ga.	N/A	10 Ga.	N/A	
STVR1010B	10	11 3/4	16 1/2	19	17 1/2	14	16	3/4	N/A	STSG05	10 Ga.	N/A	10 Ga.	N/A	
STVR1020	20	23 11/16	16 1/2	19	17 1/2	14	16	3/4	N/A	STSG05	10 Ga.	N/A	10 Ga.	N/A	
STVR1030	30	35 11/16	16 1/2	19	17 1/2	14	16	3/4	N/A	STSG05	10 Ga.	N/A	10 Ga.	N/A	

Vertical Reservoirs - VDR1 Series



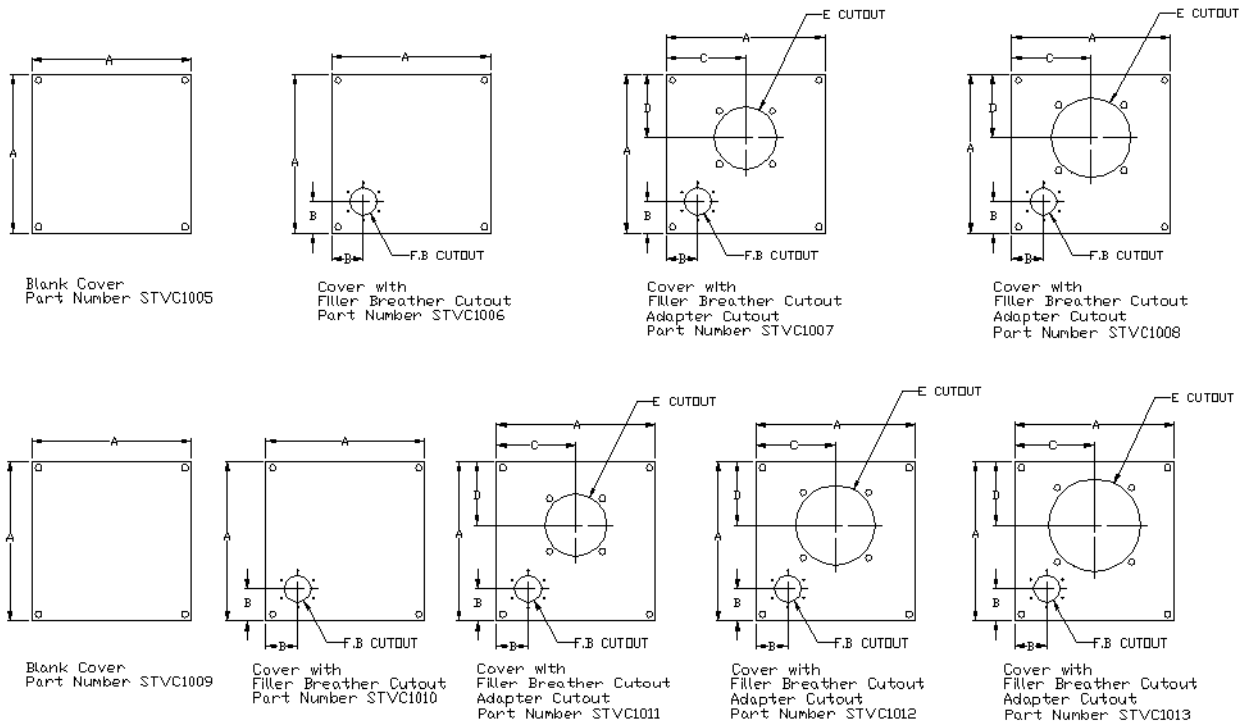
This product includes:

1. Oil Level and Temp. Gauge
2. (8) Cover Mounting Bolts
3. (2) Channel Gaskets
4. 3/4" NPT Drain
5. Baffle with cutouts
 - Exterior- prime painted
 - Interior- rust inhibitor

*Sight gauge shipped loose inside reservoir,
Filler Breather included with cover plate;
Cover Plates ordered as separate item
(VC1 Series)*

Part Number	Capacity Gallons	Dimensions										Sight Gauge	Material Thickness			
		A	B	C	D1	D2	E	F	G	H	J		Ends	Top	Body	Baffle
		Height	Width	Length												
STVDR1040	40	24	16 1/2	36	34 1/2	14	16	33	4	18	8	STSG05	10 Ga.	10 Ga.	10 Ga.	12 Ga.
STVRD1060	60	36	16 1/2	36	34 1/2	14	16	33	4	24	8	STSG05	7 Ga.	10 Ga.	7 Ga.	12 Ga.

Cover Plates - VC1 Series

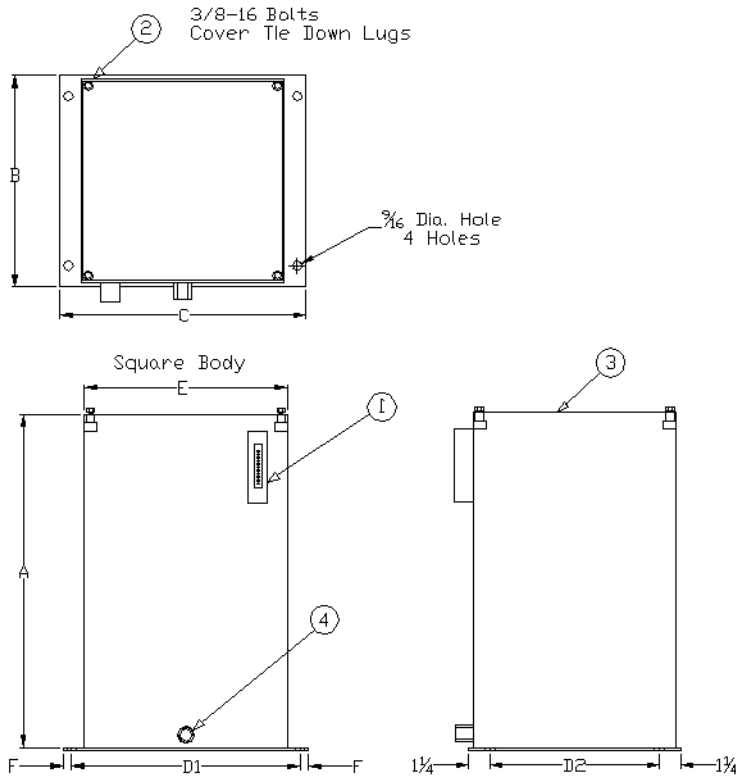
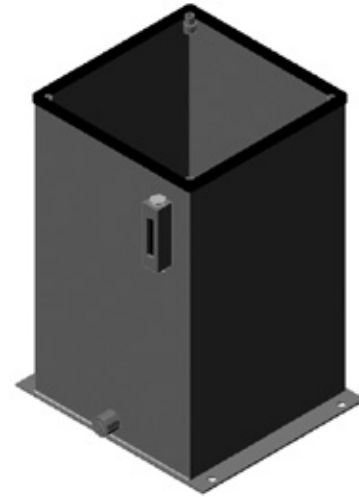


This product includes:

1. Filler breather bayonet style

Part Number	Compatible Reservoir	Dimensions					Material Thickness
		A	B	C	D	E	Top
STVC1005	STVR1005 STVR1010A	12 1/2	N/A	N/A	N/A	N/A	7 Ga.
STVC1006	STVR1005 STVR1010A	12 1/2	2 1/2	N/A	N/A	N/A	7 Ga.
STVC1007	STVR1005 STVR1010A	12 1/2	2 1/2	6 1/4	5	4 7/8	7 Ga.
STVC1008	STVR1005 STVR1010A	12 1/2	12 1/2	6 1/4	5	6 1/4	7 Ga.
STVC1009	STVR1010B STVR1020 STVR1030 STVDR1040 STVRD1060	16 1/2	N/A	N/A	N/A	N/A	7 Ga.
STVC1010	STVR1010B STVR1020 STVR1030 STVDR1040 STVRD1060	16 1/2	2 1/2	N/A	N/A	N/A	7 Ga.
STVC1011	STVR1010B STVR1020 STVR1030 STVDR1040 STVRD1060	16 1/2	2 1/2	8 1/4	5 1/2	4 7/8	7 Ga.
STVC1012	STVR1010B STVR1020 STVR1030 STVDR1040 STVRD1060	16 1/2	2 1/2	8 1/4	5 1/2	6 1/4	7 Ga.
STVC1013	STVR1010B STVR1020 STVR1030 STVDR1040 STVRD1060	16 1/2	2 1/2	8 1/4	6 1/4	7 1/4	7 Ga.

Vertical Reservoirs - VR2 Series



This product includes:

This Product Includes

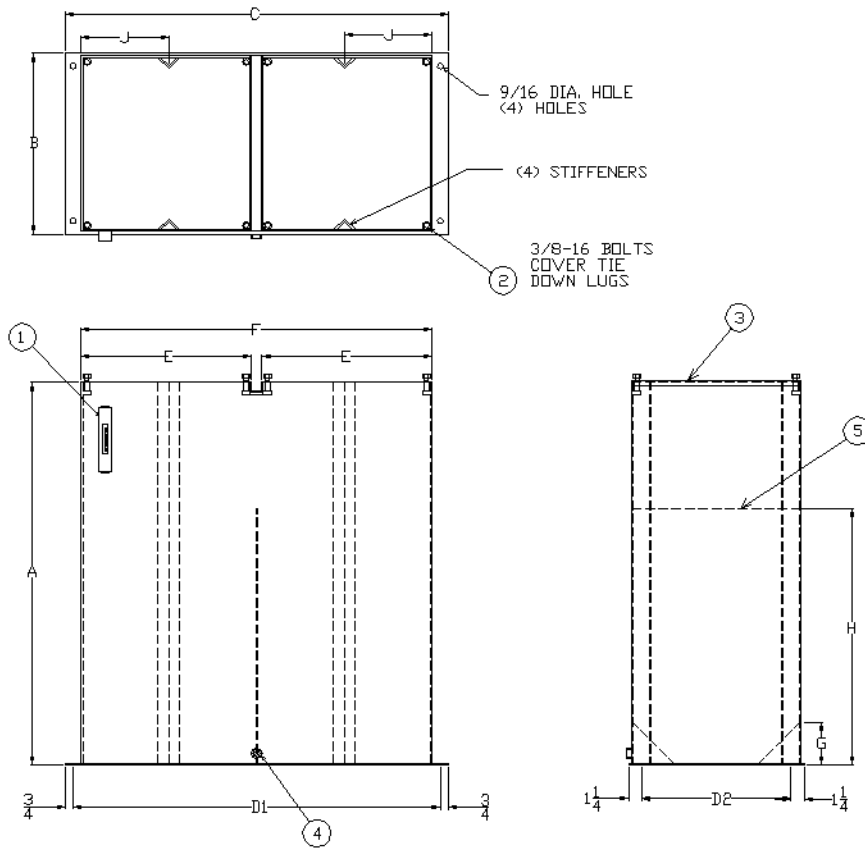
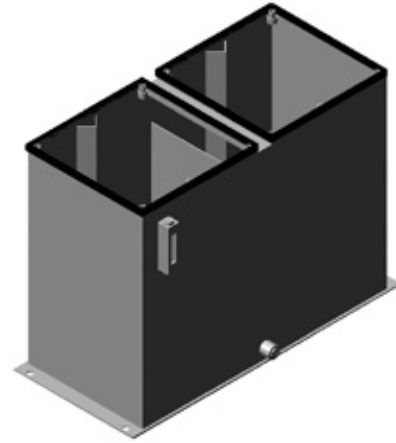
1. Oil Level and Temp. Gauge
 2. Cover Mounting Bolts
 3. Gasket for cover plate (cover plate not included)
 4. 1/2" NPT Drain
- Exterior- prime painted
 - Interior- rust inhibitor

Sight gauge shipped loose inside reservoir,

Filler Breather included with cover plate

Part Number	Capacity Gallons	Dimensions								End Cover	Sight Gauge	Material Thickness			
		A Height	B Width	C Length	D1 Mounting Centers	D2 Mounting Centers	E	F	Ends			Top	Body	Baffle	
STVR2010	10	15	16 1/2	19	17 1/2	14	16	11/4	N/A	STSG05	10 Ga.	N/A	10 Ga.	N/A	
STVR2020	20	18	18	20 1/2	19	15	17 1/2	11/2	N/A	STSG05	10 Ga.	N/A	10 Ga.	N/A	
STVR2030	30	26	18	20 1/2	19	15	17 1/2	11/2	N/A	STSG05	10 Ga.	N/A	10 Ga.	N/A	
STVR2040	40	34	18	20 1/2	19	15	17 1/2	11/2	N/A	STSG05	10 Ga.	N/A	10 Ga.	N/A	

Vertical Reservoirs - VDR2 Series



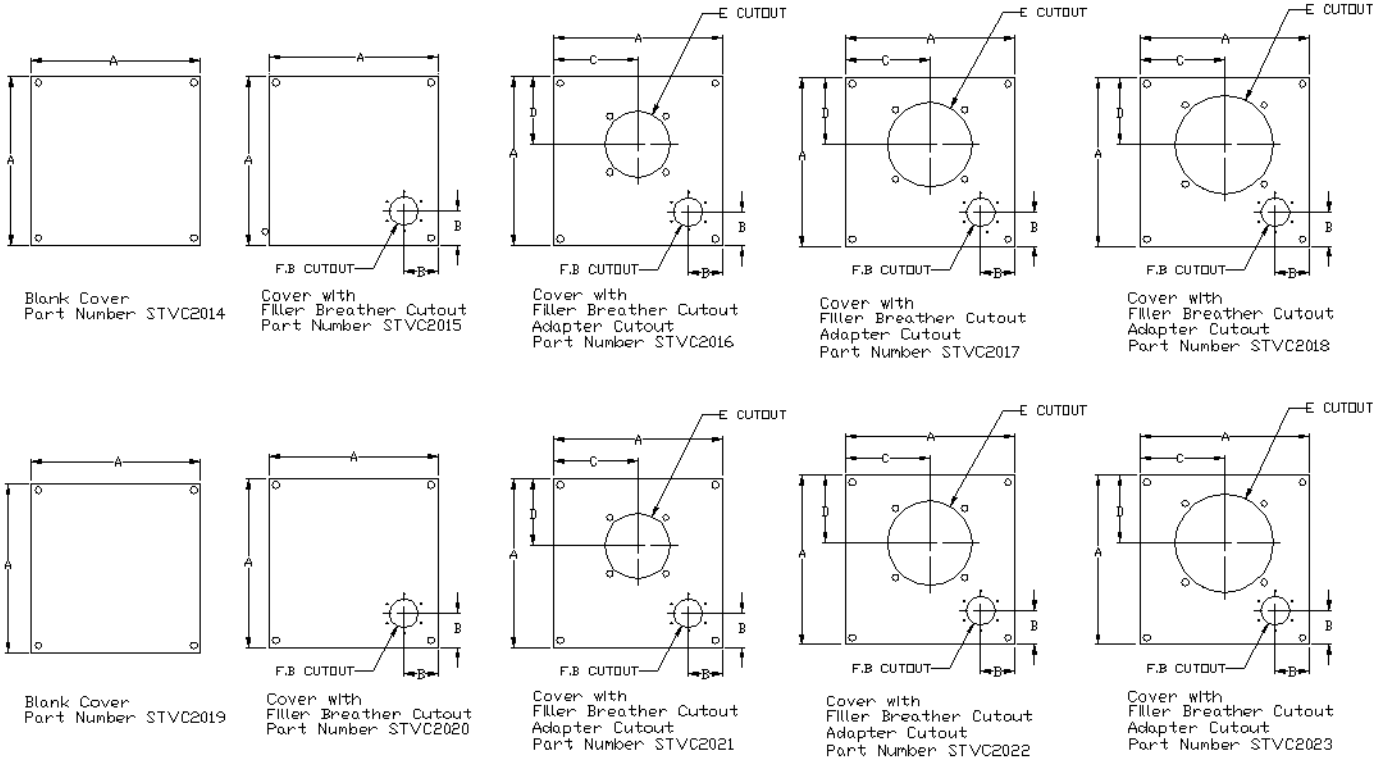
This product includes:

1. Oil Level and Temp. Gauge
2. (8) Cover Mounting Bolts
3. (2) Channel Gaskets
4. 3/4" NPT Drain
5. Baffle with cutouts
 - Exterior- prime painted
 - Interior- rust inhibitor

*Sight gauge shipped loose inside reservoir,
 Filler Breather included with cover plate
 Cover Plates ordered as separate item
 (VC2 Series)*

Part Number	Capacity Gallons	Dimensions										Sight Gauge	Material Thickness			
		A Height	B Width	C Length	D1	D2	E	F	G	H	J		Ends	Top	Body	Baffle
STVDR2050	50	22 1/2	18	39	37 1/2	15 1/2	17 1/2	36	5	19	8 3/4	STSG05	10 Ga.	10 Ga.	10 Ga.	12 Ga.
STVDR2060	60	26 1/2	18	39	37 1/2	15 1/2	17 1/2	36	5	22 1/2	8 3/4	STSG05	7 Ga.	10 Ga.	7 Ga.	12 Ga.

Cover Plates - VC2 Series



This product includes:

1. Filler breather bayonet style

Part Number	Compatible Reservoir					Dimensions					Material Thickness Top
						A	B	C	D	E	
STVC2014	STVR2010					16 1/2	N/A	N/A	N/A	N/A	7 Ga.
STVC2015	STVR2010					16 1/2	2 1/2	N/A	N/A	N/A	7 Ga.
STVC2016	STVR2010					16 1/2	2 1/2	8 1/4	5 1/2	4 7/8	7 Ga.
STVC2017	STVR2010					16 1/2	2 1/2	8 1/4	5 1/2	6 1/4	7 Ga.
STVC2018	STVR2010					16 1/2	2 1/2	8 1/4	5 1/2	7 1/4	7 Ga.
STVC2019	STVR2020	STVR2030	STVR2040	STVDR2050	STVDR2060	18	N/A	N/A	N/A	N/A	7 Ga.
STVC2020	STVR2020	STVR2030	STVR2040	STVDR2050	STVDR2060	18	2 1/2	N/A	N/A	N/A	7 Ga.
STVC2021	STVR2020	STVR2030	STVR2040	STVDR2050	STVDR2060	18	2 1/2	9	5 1/2	4 7/8	7 Ga.
STVC2022	STVR2020	STVR2030	STVR2040	STVDR2050	STVDR2060	18	2 1/2	9	5 1/2	6 1/4	7 Ga.
STVC2023	STVR2020	STVR2030	STVR2040	STVDR2050	STVDR2060	18	2 1/2	9	6 1/4	7 1/4	7 Ga.

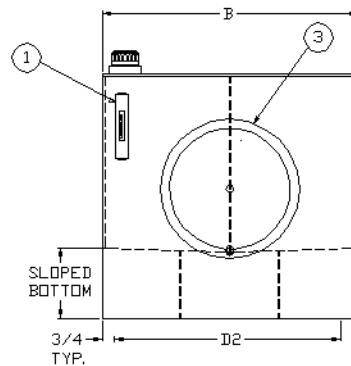
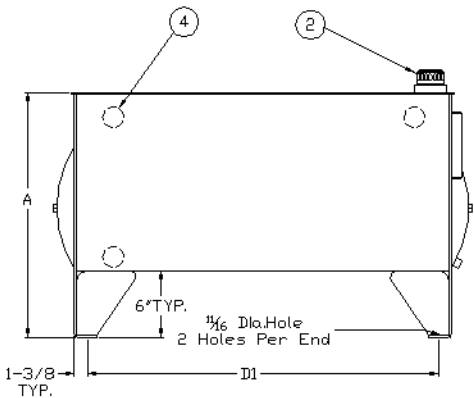
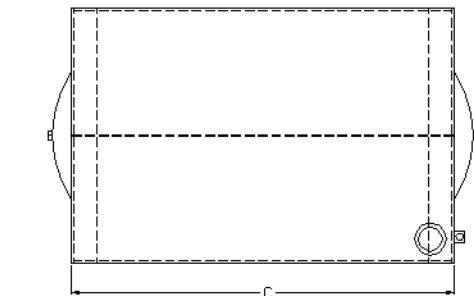
JIC Reservoirs - JR1 Series



This product includes:

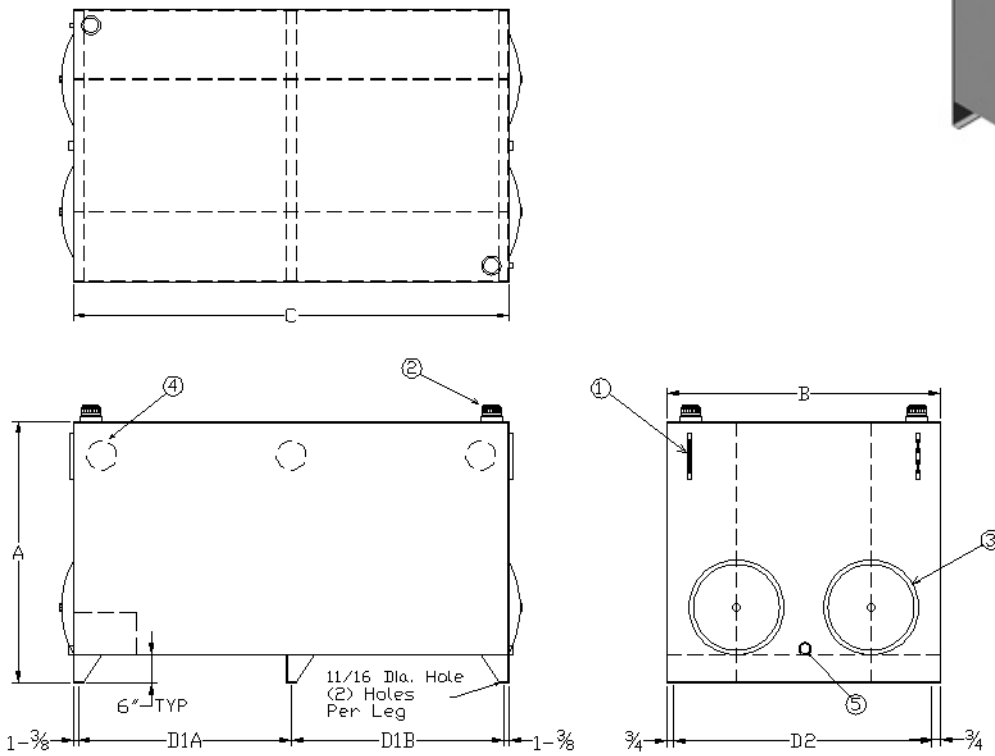
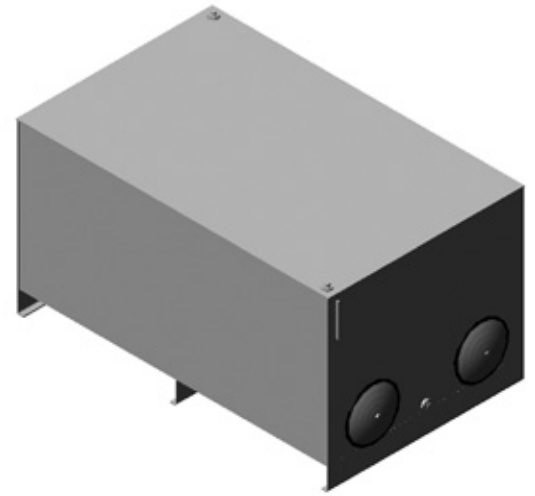
1. Oil Level and Temp. Gauge
2. Riser with Filler Breather
3. (2) Steel End Covers with Gaskets
 - (1) End cover includes 3/4" NPT Drain
4. Baffle with cutouts
 - Exterior- prime painted
 - Interior- rust inhibitor

Sight gauge and filler breather shipped loose inside reservoir



Part Number	Capacity Gallons	Dimensions								End Cover	Sight Gauge	Material Thickness			
		A Height	B Width	C Length	D1 Mounting Centers	D2 Mounting Centers	E	F	Ends			Top	Body	Baffle	
STJR1010	10	19	18	22	18 1/4	16 1/2	N/A	N/A	12	STSG05	7 Ga.	7 Ga.	10 Ga.	12 Ga.	
STJR1015	15	19	18	26	22 1/4	16 1/2	N/A	N/A	12	STSG05	7 Ga.	7 Ga.	10 Ga.	12 Ga.	
STJR1020	20	19	18	30	26 1/4	16 1/2	N/A	N/A	12	STSG05	7 Ga.	7 Ga.	10 Ga.	12 Ga.	
STJR1030	30	19 3/8	24	36	32 1/4	22 1/2	N/A	N/A	12	STSG05	7 Ga.	7 Ga.	10 Ga.	12 Ga.	
STJR1040	40	21	24	36	32 1/4	22 1/2	N/A	N/A	12	STSG05	7 Ga.	7 Ga.	10 Ga.	12 Ga.	
STJR1050	50	23	24	36	32 1/4	22 1/2	N/A	N/A	16	STSG05	7 Ga.	7 Ga.	10 Ga.	12 Ga.	
STJR1060	60	20 9/16	27	48	44 1/4	25 1/2	N/A	N/A	14	STSG05	7 Ga.	1/4	10 Ga.	12 Ga.	
STJR1080	80	21 1/2	27	60	56 1/4	25 1/2	N/A	N/A	14	STSG05	7 Ga.	3/8	10 Ga.	12 Ga.	
STJR1100	100	23 1/2	27	60	56 1/4	25 1/2	N/A	N/A	16	STSG05	7 Ga.	3/8	10 Ga.	12 Ga.	
STJR1120	120	27	30	60	56 1/4	28 1/2	N/A	N/A	16	STSG05	3/8	3/8	10 Ga.	12 Ga.	
STJR1150	150	31	30	60	56 1/4	28 1/2	N/A	N/A	16	STSG05	3/8	3/8	10 Ga.	12 Ga.	
STJR1200	200	29 3/8	36	72	68 1/4	34 1/2	N/A	N/A	18	STSG05	3/8	3/8	10 Ga.	12 Ga.	
STJR1300	300	38 1/2	36	72	68 1/4	34 1/2	N/A	N/A	18	STSG10	3/8	3/8	7 Ga.	12 Ga.	
STJR1400	400	38 1/2	48	72	68 1/4	46 1/2	N/A	N/A	18	STSG10	3/8	1/2	7 Ga.	12 Ga.	
STJR1500	500	43	48	72	68 1/4	46 1/2	N/A	N/A	18	STSG10	3/8	1/2	7 Ga.	12 Ga.	
STJR1600	600	43	48	96	92 1/4	46 1/2	N/A	N/A	18	STSG10	3/8	1/2	7 Ga.	12 Ga.	
STJR1700	700	49	48	96	92 1/4	46 1/2	N/A	N/A	18	STSG10	3/8	1/2	7 Ga.	12 Ga.	

JIC Reservoirs - Jumbo Series



This product includes:

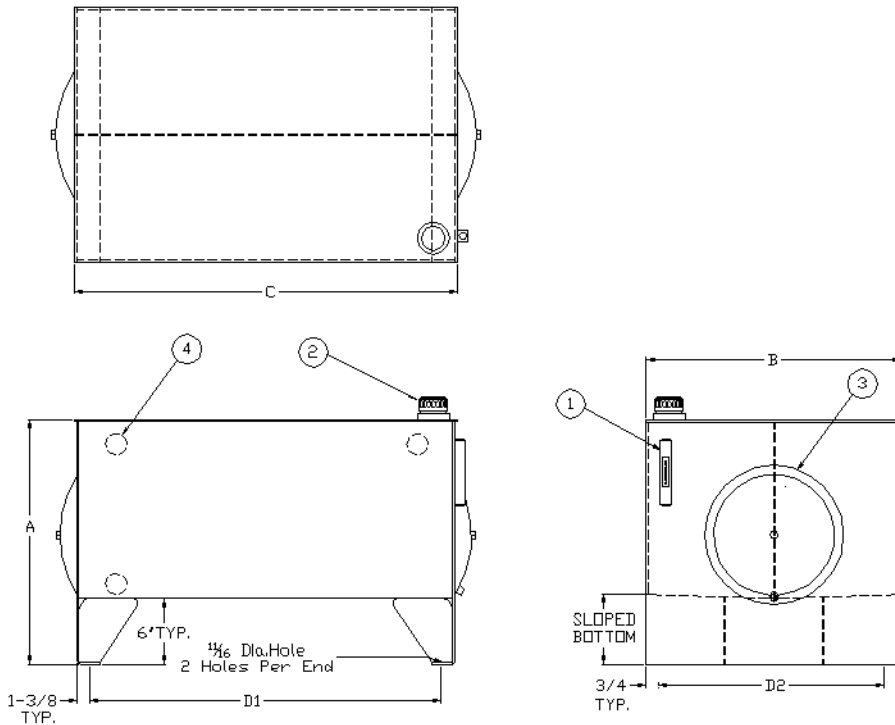
1. (2) Oil Level and Temp. Gauges
2. (2) Risers with Filler Breather
3. (4) Steel End Covers with Gaskets
4. (2) Baffles with cutouts
5. (2) 2" NPT Drains

- Exterior- prime painted
- Interior- rust inhibitor

*Sight Gauges and Filler Breathers
shipped loose inside reservoir*

Part Number	Capacity Gallons	Dimensions									End Cover	Sight Gauge	Material Thickness			
		A Height	B Width	C Length	D1A Mounting Centers	D1B Mounting Centers	D2 Mounting Centers	E	F	Ends			Top	Body	Baffle	
STJRJ800	800	46	60	96	44 1/4	48	58 1/2	N/A	N/A	18	STSG10	3/8	1/2	7 Ga.	12 Ga.	
STJRJ900	900	51	60	96	44 1/4	48	58 1/2	N/A	N/A	18	STSG10	3/8	1/2	7 Ga.	12 Ga.	
STJRJ1000	1000	56	60	96	44 1/4	48	58 1/2	N/A	N/A	18	STSG10	3/8	1/2	7 Ga.	12 Ga.	

JIC Reservoirs - JR2 Series



This product includes:

1. Oil Level and Temp. Gauge
2. Riser with Filler Breather
3. (2) Steel End Covers with Gaskets
 - (1) End Cover includes 3/4" NPT Drain
4. Baffle with cutouts
 - Exterior- prime painted
 - Interior- rust inhibitor

Sight gauge and filler breather shipped loose inside reservoir

Part Number	Capacity Gallons	Dimensions								End Cover	Sight Gauge	Material Thickness			
		A Height	B Width	C Length	D1 Mounting Centers	D2 Mounting Centers	E	F	Ends			Top	Body	Baffle	
STJR2010	10	18	16	24	20 1/4	14 1/2	N/A	N/A	12	STSG05	11 Ga.	7 Ga.	10 Ga.	12 Ga.	
STJR2020	20	18	21	32	28 1/4	19 1/2	N/A	N/A	12	STSG05	11 Ga.	7 Ga.	10 Ga.	12 Ga.	
STJR2060	60	25	25	38	34 1/4	23 1/2	N/A	N/A	16	STSG05	7 Ga.	1/4	10 Ga.	12 Ga.	
STJR2080	80	27	30	47	43 1/4	28 1/2	N/A	N/A	16	STSG05	7 Ga.	1/4	10 Ga.	12 Ga.	
STJR2100	100	29	30	47	43 1/4	28 1/2	N/A	N/A	16	STSG05	7 Ga.	1/4	10 Ga.	12 Ga.	
STJR2120	120	27	30	60	56 1/4	28 1/2	N/A	N/A	16	STSG05	7 Ga.	3/8	10 Ga.	12 Ga.	
STJR2150	150	31	30	60	56 1/4	28 1/2	N/A	N/A	16	STSG05	7 Ga.	3/8	10 Ga.	12 Ga.	
STJR2200	200	29	36	72	68 1/4	34 1/2	N/A	N/A	18	STSG05	1/4	3/8	10 Ga.	12 Ga.	
STJR2300	300	29	48	82	77	45	N/A	N/A	18	STSG05	1/4	1/2	7 Ga.	12 Ga.	
STJR2400**	400	23 3/4	72	96	92 1/4	70 1/2	N/A	N/A	18	STSG05	3/8	1/2	7 Ga.	12 Ga.	

** (2) baffles, (4) end covers (2) with 3/4" NPT drains provided

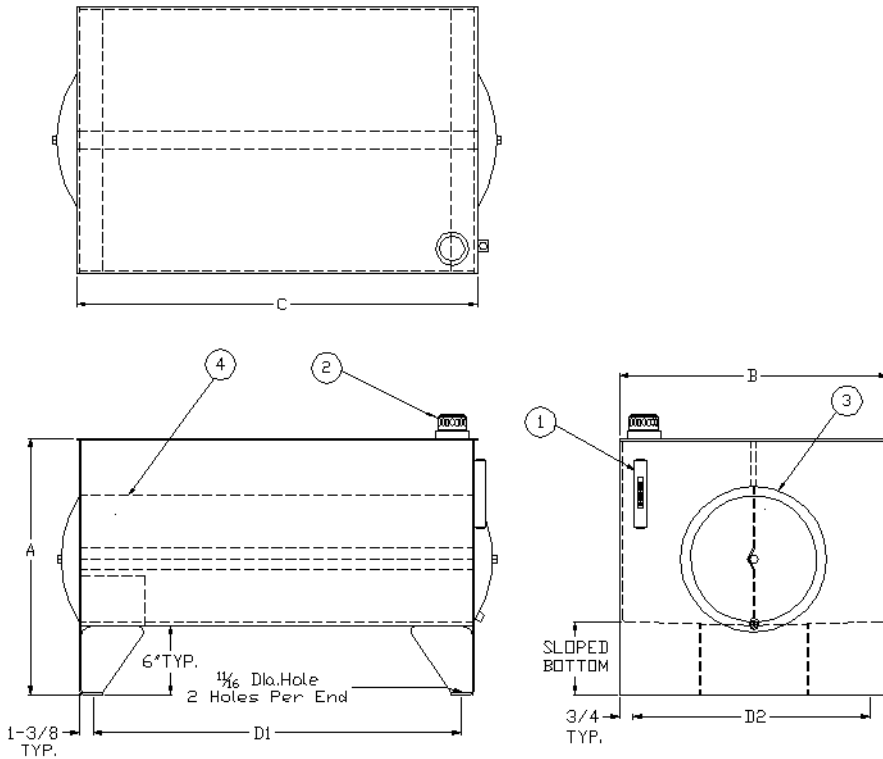
JIC Reservoirs - Removable Baffle Series



This product includes:

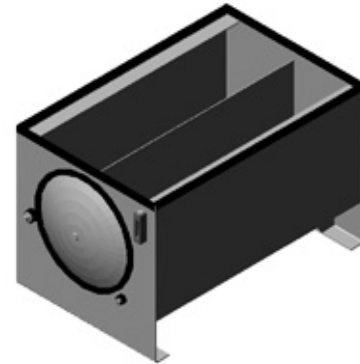
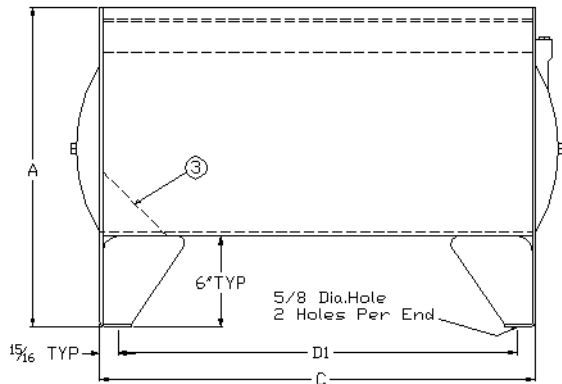
1. Oil Level and Temp. Gauge
2. Riser with Filler Breather
3. (2) Steel End Covers with Gaskets
 - (1) End Cover includes 3/4" NPT Drain
4. Removable Baffle
 - Exterior- prime painted
 - Interior- rust inhibitor

Sight gauge and filler breather shipped loose inside reservoir



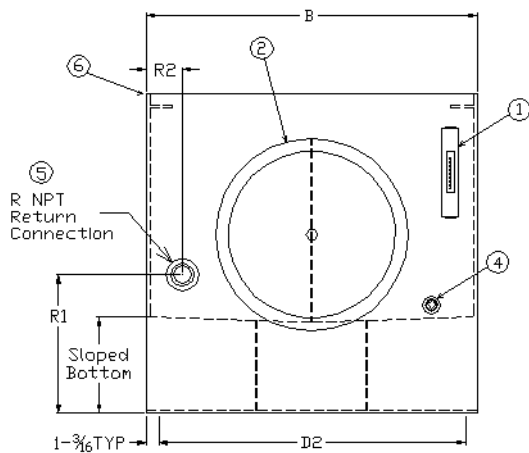
Part Number	Capacity Gallons	Dimensions							End Cover	Sight Gauge	Material Thickness			
		A Height	B Width	C Length	D1 Mounting Centers	D2 Mounting Centers	E	F			Ends	Top	Body	Baffle
STJRB1010	10	18	16	24	20 1/4	14 1/2	N/A	N/A	12	STSG05	10 Ga.	7 Ga.	10 Ga.	12 Ga.
STJRB1015	15	19	18	26	22 1/4	16 1/2	N/A	N/A	12	STSG05	7 Ga.	7 Ga.	10 Ga.	12 Ga.
STJRB1020	20	18	21	32	28 1/4	19 1/2	N/A	N/A	12	STSG05	7 Ga.	7 Ga.	10 Ga.	12 Ga.
STJRB1030	30	19 3/8	24	36	32 1/4	22 1/2	N/A	N/A	12	STSG05	7 Ga.	7 Ga.	10 Ga.	12 Ga.
STJRB1040	40	21	24	36	32 1/4	22 1/2	N/A	N/A	12	STSG05	7 Ga.	7 Ga.	10 Ga.	12 Ga.
STJRB1050	50	23	24	36	32 1/4	22 1/2	N/A	N/A	12	STSG05	7 Ga.	7 Ga.	10 Ga.	12 Ga.
STJRB1060	60	25	25	38	34 1/4	23 1/2	N/A	N/A	18	STSG05	7 Ga.	1/4	10 Ga.	12 Ga.
STJRB1080	80	27	30	47	43 1/4	28 1/2	N/A	N/A	18	STSG05	7 Ga.	1/4	10 Ga.	12 Ga.
STJRB1100	100	29	30	47	43 1/4	28 1/2	N/A	N/A	18	STSG05	7 Ga.	1/4	10 Ga.	12 Ga.
STJRB1120	120	27	30	60	56 1/4	28 1/2	N/A	N/A	18	STSG05	7 Ga.	3/8	10 Ga.	12 Ga.
STJRB1150	150	31	30	60	56 1/4	28 1/2	N/A	N/A	18	STSG05	7 Ga.	3/8	10 Ga.	12 Ga.
STJRB1200	200	29	36	72	68 1/4	34 1/2	N/A	N/A	18	STSG05	1/4	3/8	10 Ga.	12 Ga.
STJRB1300	300	29	48	82	77	45	N/A	N/A	18	STSG05	1/4	1/2	7 Ga.	12 Ga.

JIC Reservoirs - Removable Top Series



This product includes:

1. Oil Level and Temp. Gauge
2. Steel End Covers with Gaskets
3. Baffle with cutouts
4. 3/4" NPT Drain
5. Return Connection
6. Gasket for removable top (removable top not included)
 - 10 & 20 Gallon (1) 10" End Cover only (sight gauge side)
 - Exterior- prime painted
 - Interior- rust inhibitor

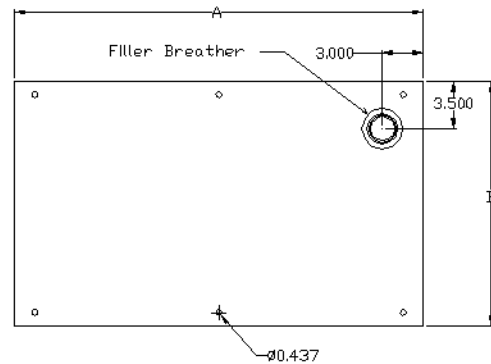
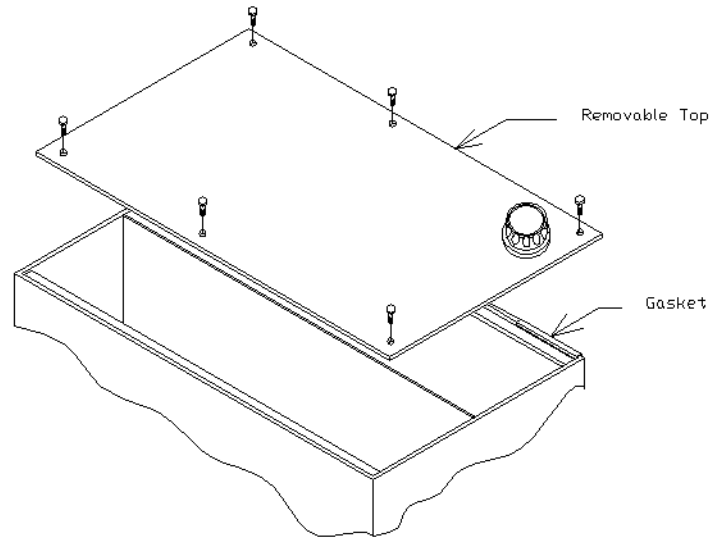


*Sight gauge shipped loose inside reservoir,
Filler Breather included with cover plate*

Part Number	Capacity Gallons	Dimensions					Return Connections			End Cover	Sight Gauge	Material Thickness		
		A Height	B Width	C Length	D1 Mounting Centers	D2 Mounting Centers	R1	R2	R			End	Body	Baffle
STJRT1010	10	18	17 7/8	18 1/4	16 3/8	15 1/2	8 1/2	1 1/2	1/2 NPT	10	STSG05	7 GA	10 GA	12 GA
STJRT1020	20	18	17 7/8	29 3/8	27 1/2	15 1/2	8 1/2	1 1/2	1 NPT	10	STSG05	7 GA	10 GA	12 GA
STJRT1035	35	18 1/4	23 7/8	35 3/8	33 1/2	21 1/2	9 1/2	3	1 1/2 NPT	10	STSG05	7 GA	10 GA	12 GA
STJRT1050	50	23	23 7/8	35 3/8	33 1/2	21 1/2	9 1/2	3	1 1/2 NPT	14	STSG05	7 GA	10 GA	12 GA
STJRT1070	70	21	26 7/8	47 3/8	45 1/2	24 1/2	9 1/2	3	1 1/2 NPT	14	STSG05	7 GA	10 GA	12 GA
STJRT1090	90	21 1/2	26 7/8	59 3/8	57 1/2	24 1/2	9 1/2	3	2 NPT	14	STSG05	7 GA	10 GA	12 GA
STJRT1130	130	26	29 7/8	59 3/8	57 1/2	27 1/2	9 1/2	3	2 NPT	14	STSG05	7 GA	10 GA	12 GA
STJRT1160	160	31	29 7/8	59 3/8	57 1/2	27 1/2	9 1/2	3	2 NPT	14	STSG05	3/8	10 GA	12 GA
STJRT1210	210	28 1/4	35 7/8	71 3/8	69	33 1/2	9 1/2	3	2 NPT	14	STSG05	3/8	10 GA	12 GA

Cover Plates - JIC Reservoirs Removable Top Series

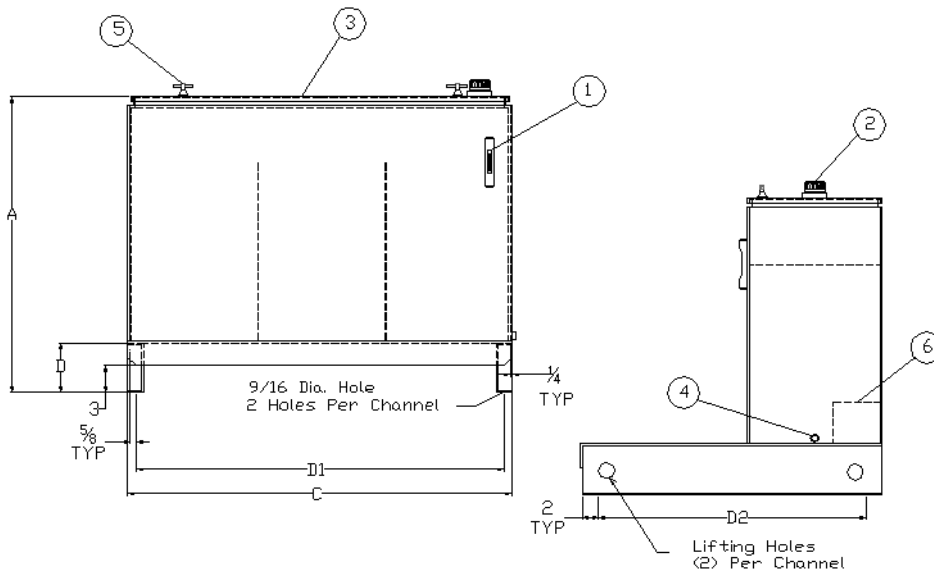
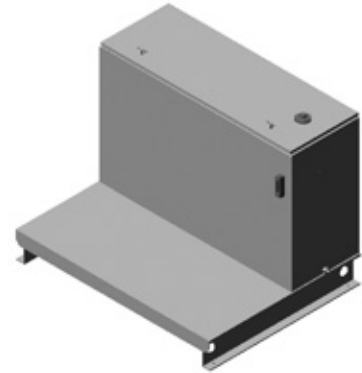
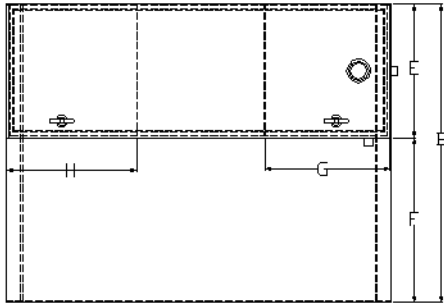
Part Number	Gallons	Dimensions		Material Thickness
		A	B	Top
STJCP1000	10	19	18	1/4
STJCP1001	10	19	18	3/8
STJCP1002	10	19	18	1/2
STJCP1003	20	30	18	1/4
STJCP1004	20	30	18	3/8
STJCP1005	20	30	18	1/2
STJCP1006	35/50	36	24	1/4
STJCP1007	35/50	36	24	3/8
STJCP1008	35/50	36	24	1/2
STJCP1009	35/50	36	24	3/4
STJCP1010	70	48	27	1/4
STJCP1011	70	48	27	3/8
STJCP1012	70	48	27	1/2
STJCP1013	70	48	27	3/4
STJCP1014	90	60	27	1/4
STJCP1015	90	60	27	3/8
STJCP1016	90	60	27	1/2
STJCP1017	90	60	27	3/4
STJCP1018	130/160	60	30	1/4
STJCP1019	130/160	60	30	3/8
STJCP1020	130/160	60	30	1/2
STJCP1021	130/160	60	30	3/4
STJCP1022	130/160	60	30	1
STJCP1023	210	72	36	1/4
STJCP1024	210	72	36	3/8
STJCP1025	210	72	36	1/2
STJCP1026	210	72	36	3/4
STJCP1027	210	72	36	1



This product includes:

1. Riser with Filler Breather
2. Mounting Hardware
 - Exterior- prime painted

L Shaped Reservoirs - Hinged Top Series



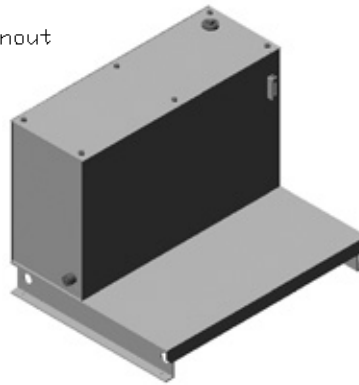
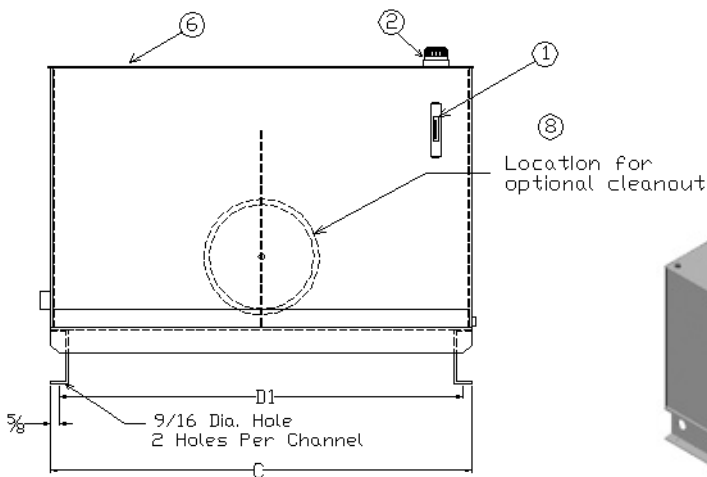
This product includes:

1. Oil Level and Temp. Gauge
2. Filler Breather
3. Hinged Cover with Gasket
4. 3/4" NPT Drain
5. (2) T Handles (3) for 200 Gallon and up
6. Baffle with cutouts
 - 100 gallon to 600 gallon include (1) door chain
 - Exterior - prime painted
 - Interior - rust inhibitor

Sight gauge and filler breather shipped loose inside reservoir

Part Number	Capacity Gallons	Dimensions										Sight Gauge	Material Thickness			
		A Height	B Width	C Length	D	E	F	G	H	D1	D2		Ends	Top	Body	Baffle
STLRH1010	10	23 7/8	23 3/8	24	6 3/16	11 1/8	12 1/4	11	N/A	22 1/4	19	STSG05	10 Ga.	10 Ga.	10 Ga.	12 Ga.
STLRH1020	20	25 7/8	27 3/8	30	6 3/16	13 1/2	13 7/8	12	N/A	28 1/4	23	STSG05	10 Ga.	10 Ga.	10 Ga.	12 Ga.
STLRH1030	30	29 7/8	30 3/8	36	6 3/16	13 3/4	16 5/8	12	N/A	34 1/4	26	STSG05	10 Ga.	10 Ga.	10 Ga.	12 Ga.
STLRH1045	45	29 7/8	31 3/8	54	6 3/16	13 3/4	17 5/8	12	12	52 1/4	27	STSG05	10 Ga.	10 Ga.	10 Ga.	12 Ga.
STLRH1060	60	35 7/8	37 3/8	48	6 3/16	16 3/4	20 5/8	16	N/A	46 1/4	33	STSG05	10 Ga.	10 Ga.	10 Ga.	12 Ga.
STLRH1080	80	36 1/16	38 9/16	66	6 3/8	16 3/8	22	16	16	64 1/4	34	STSG05	10 Ga.	10 Ga.	10 Ga.	12 Ga.
STLRH1100	100	39 1/16	42 9/16	60	6 3/8	19 3/8	23	16	N/A	58 1/4	38	STSG05	10 Ga.	10 Ga.	10 Ga.	12 Ga.
STLRH1120	120	39 1/16	42 9/16	72	6 3/8	19 3/8	23	16	16	70 1/4	38	STSG05	10 Ga.	10 Ga.	10 Ga.	12 Ga.
STLRH1150	150	39 1/16	50 9/16	72	6 3/8	25 3/8	25	16	N/A	70 1/4	46	STSG05	10 Ga.	10 Ga.	10 Ga.	12 Ga.
STLRH1200	200	42 1/16	51 9/16	84	6 3/8	25 3/8	26	16	16	82 1/4	47	STSG05	10 Ga.	10 Ga.	10 Ga.	12 Ga.
STLRH1300	300	54 3/16	60	84	6 1/2	25 3/8	34 7/16	16	16	82 1/4	55 1/2	STSG10	7 Ga.	10 Ga.	7 Ga.	12 Ga.
STLRH1400	400	54 3/16	60	84	6 1/2	28 3/8	31 7/16	16	16	82 1/4	55 1/2	STSG10	7 Ga.	10 Ga.	7 Ga.	12 Ga.
STLRH1500	500	60 3/16	60	84	6 1/2	32 3/8	27 7/16	18	18	82 1/4	55 1/2	STSG10	7 Ga.	10 Ga.	7 Ga.	12 Ga.
STLRH1600	600	60 3/16	62	90	6 1/2	30 3/8	31 7/16	22	22	88 1/4	57 1/2	STSG10	7 Ga.	10 Ga.	7 Ga.	12 Ga.

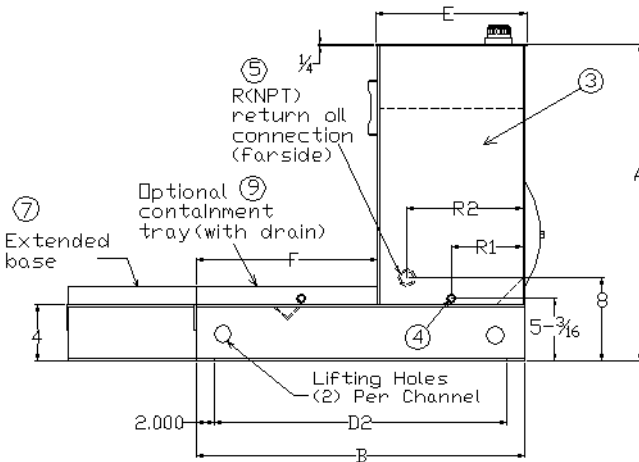
L Shaped Reservoirs - Removable Top Series



This product includes:

1. Oil Level and Temp. Gauge
2. Riser with Filler Breather
3. Baffle with cutouts
4. 3/4" NPT Drain
5. Return Connection
6. Removable or Welded Top
7. Choice of Extended Base
8. Optional End Cover
9. Optional Containment Tray with drain
 - Exterior- prime painted
 - Interior- rust inhibitor

Sight gauge and filler breather shipped loose inside reservoir



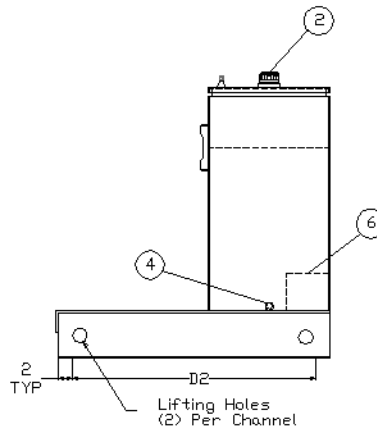
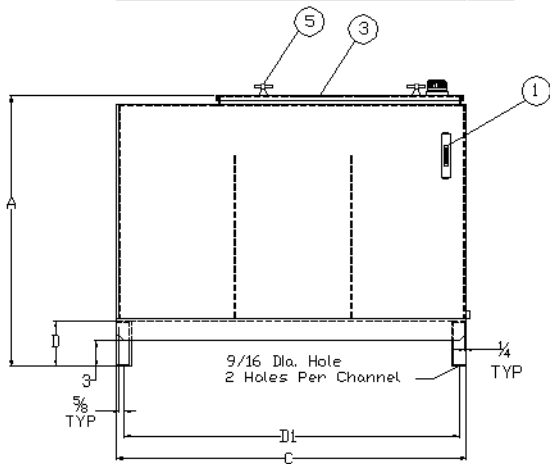
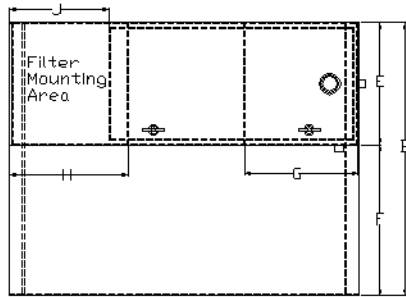
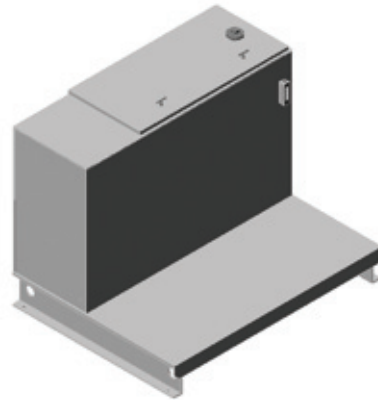
L Shaped Removable Top Reservoirs can be designed to meet your requirements. Follow the format below when ordering. For other custom requirements, please call.

STLRR1080	B	X6	E	N
Part Number	B=Boltdown Top W=Welded Top	X=Base Extension N=No Extension	E=Endcover N=No End Cover	C=Containment Tray N=No Containment Tray

X6=6" Base Extension
X12=12" Base Extension
X18=18" Base Extension
X24=24" Base Extension

Part Number	Capacity Gallons	Dimensions										Sight Gauge	Material Thickness			
		A Height	B Width	C Length	E	F	D1	D2	R1	R2	R		Ends	Top	Body	Baffle
STLRR1010	10	26 9/16	22	24	6 1/2	15 7/16	22 1/4	18	3 1/4	4 1/2	1/2	STSG05	10 Ga.	1/4	10 Ga.	12 Ga.
STLRR1020	20	26 9/16	27	36	7 1/2	19 7/16	34 1/4	23	3 3/4	5 1/2	1	STSG05	10 Ga.	1/4	10 Ga.	12 Ga.
STLRR1030	30	28 9/16	30	36	10 1/2	19 7/16	34 1/4	26	5 1/4	7 1/2	1 1/2	STSG05	10 Ga.	1/4	10 Ga.	12 Ga.
STLRR1045	45	29 9/16	36	42	12 1/2	23 7/16	40 1/4	32	6 1/4	9 1/2	1 1/2	STSG05	10 Ga.	1/4	10 Ga.	12 Ga.
STLRR1060	60	29 9/16	36	42	16 1/2	19 7/16	40 1/4	32	8 1/4	13 1/2	1 1/2	STSG05	10 Ga.	1/4	10 Ga.	12 Ga.
STLRR1080	80	30 9/16	42	48	18 1/2	23 1/2	46 1/4	38	9 1/4	15 1/2	1 1/2	STSG05	10 Ga.	1/4	10 Ga.	12 Ga.
STLRR1100	100	31 9/16	47	50	21 1/2	25 1/2	48 1/4	43	10 3/4	18 1/2	2	STSG05	10 Ga.	1/4	10 Ga.	12 Ga.
STLRR1120	120	32 9/16	50	52	22 1/2	27 1/2	50 1/4	46	11 1/4	19 1/2	2	STSG05	10 Ga.	1/4	10 Ga.	12 Ga.
STLRR1150	150	33 9/16	50	60	22 1/2	27 1/2	58 1/4	46	11 1/4	19 1/2	2	STSG05	10 Ga.	1/4	10 Ga.	12 Ga.
STLRR1200	200	40 9/16	57	60	25 1/2	31 1/2	58 1/4	53	12 3/4	22 1/2	2	STSG05	10 Ga.	1/4	10 Ga.	12 Ga.

L Shaped Reservoirs - Combo Top Series



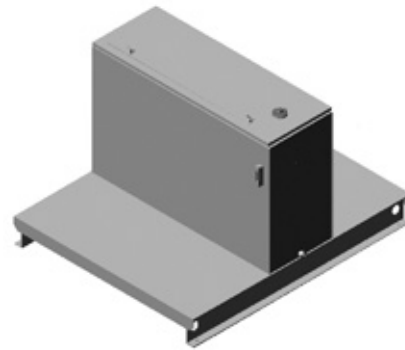
This product includes:

1. Oil Level and Temp. Gauge
2. Filler Breather
3. Hinged Cover with Gasket
4. 3/4" NPT Drain
5. (2) T Handles (3) for 200 Gallon and up
6. Baffle(s) with cutouts
 - 100 to 600 gallon include (1) door chain
 - Exterior-prime painted
 - Interior- rust inhibitor

Sight gauge and filler breather shipped loose inside reservoir

Part Number	Capacity Gallons	Dimensions											Sight Gauge	Material Thickness					
		A	B	C	D	E	F	G	H	J	D1	D2		Ends	Top	Body	Baffle		
		Height	Width	Length	Welded Top														
STLRC1080	80	36 1/16	38 9/16	60	6 3/8	13 3/8	25	16	16	12	58 1/4	34	STSG05	10 Ga.	10 Ga.	10 Ga.	12 Ga.		
STLRC1100	100	36 1/16	42 9/16	60	6 3/8	16 3/8	26	16	16	12	58 1/4	38	STSG05	10 Ga.	10 Ga.	10 Ga.	12 Ga.		
STLRC1120	120	36 1/16	42 9/16	72	6 3/8	16 3/8	26	16	16	12	70 1/4	38	STSG05	10 Ga.	10 Ga.	10 Ga.	12 Ga.		
STLRC1150	150	39 1/16	50 9/16	72	6 3/8	18 3/8	32	16	16	12	70 1/4	46	STSG05	10 Ga.	10 Ga.	10 Ga.	12 Ga.		
STLRC1200	200	42 1/16	51 9/16	84	6 3/8	18 3/8	33	16	24	16	82 1/4	47	STSG05	10 Ga.	10 Ga.	10 Ga.	12 Ga.		
STLRC1300	300	54 3/16	60	84	6 1/2	25 3/8	34 7/16	16	24	16	82 1/4	55 1/2	STSG10	7 Ga.	10 Ga.	7 Ga.	12 Ga.		
STLRC1400	400	54 3/16	60	84	6 1/2	28 3/8	31 7/16	16	24	16	82 1/4	55 1/2	STSG10	7 Ga.	10 Ga.	7 Ga.	12 Ga.		
STLRC1500	500	60 3/16	60	84	6 1/2	32 3/8	27 7/16	18	24	18	82 1/4	55 1/2	STSG10	7 Ga.	10 Ga.	7 Ga.	12 Ga.		
STLRC1600	600	65 3/16	62	90	6 1/2	30 3/8	31 7/16	22	30	20	88 1/4	57 1/2	STSG10	7 Ga.	10 Ga.	7 Ga.	12 Ga.		

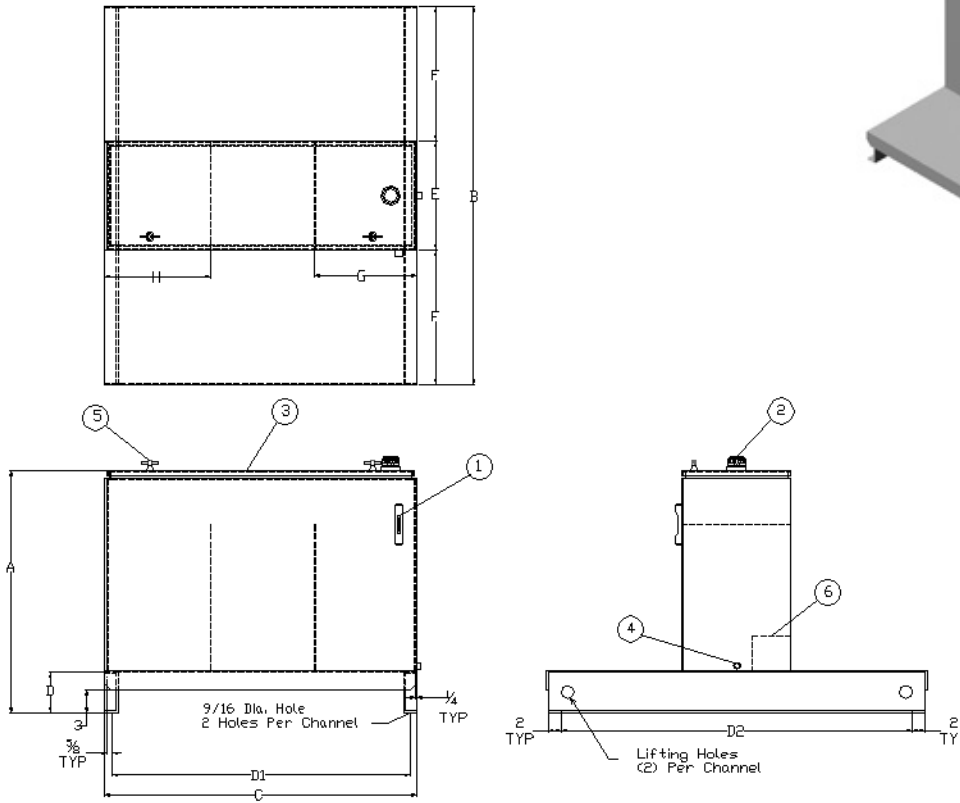
T Shaped Reservoirs - Hinged Top Series



This product includes:

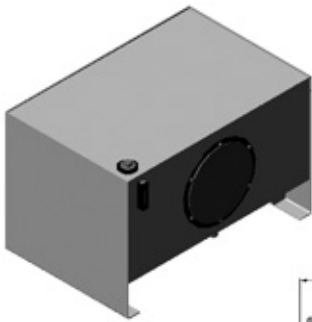
1. Oil Level and Temp. Gauge
2. Filler Breather
3. Hinged Cover with Gasket
4. 3/4" NPT Drain
5. (2) T Handles (3) for 300 Gallon and up
6. Baffle(s) with cutouts
 - 100 to 400 gallon include (1) door chain
 - Exterior- prime painted
 - Interior- rust inhibitor

Sight gauge and filler breather shipped loose inside reservoir



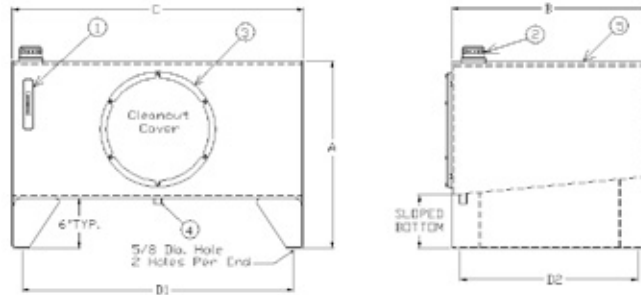
Part Number	Capacity Gallons	Dimensions										Sight Gauge	Material Thickness			
		A Height	B Width	C Length	D	E	F	G	H	D1	D2		Ends	Top	Body	Baffle
STTRH1010	10	23 7/8	35 1/4	24	6 3/16	11 1/8	12 1/16	11	N/A	22 1/4	30 7/8	STSG05	10 Ga.	10 Ga.	10 Ga.	12 Ga.
STTRH1020	20	25 7/8	40 5/8	30	6 3/16	13 1/2	13 9/16	12	N/A	28 1/4	36 1/4	STSG05	10 Ga.	10 Ga.	10 Ga.	12 Ga.
STTRH1030	30	29 7/8	46 5/8	36	6 3/16	13 3/4	16 7/16	12	N/A	34 1/4	42 1/4	STSG05	10 Ga.	10 Ga.	10 Ga.	12 Ga.
STTRH1045	45	29 7/8	48 5/8	54	6 3/16	13 3/4	17 7/16	12	12	52 1/4	44 1/4	STSG05	10 Ga.	10 Ga.	10 Ga.	12 Ga.
STTRH1060	60	35 7/8	58	48	6 3/16	16 3/4	20 5/8	16	N/A	46 1/4	53 5/8	STSG05	10 Ga.	10 Ga.	10 Ga.	12 Ga.
STTRH1080	80	36 1/16	61 1/8	66	6 3/8	16 3/8	22 3/8	16	16	64 1/4	56 3/8	STSG05	10 Ga.	10 Ga.	10 Ga.	12 Ga.
STTRH1100	100	39 1/16	66 1/8	60	6 3/8	19 3/8	23 3/8	16	N/A	58 1/4	61 3/8	STSG05	10 Ga.	10 Ga.	10 Ga.	12 Ga.
STTRH1120	120	39 1/16	68 1/8	72	6 3/8	19 3/8	24 3/8	16	16	70 1/4	63 3/8	STSG05	10 Ga.	10 Ga.	10 Ga.	12 Ga.
STTRH1150	150	39 1/16	76 1/8	72	6 3/8	25 3/8	25 3/8	16	N/A	70 1/4	71 3/8	STSG05	10 Ga.	10 Ga.	10 Ga.	12 Ga.
STTRH1200	200	42 1/16	78 1/8	84	6 3/8	25 3/8	26 3/8	16	16	82 1/4	73 3/8	STSG05	10 Ga.	10 Ga.	10 Ga.	12 Ga.
STTRH1300	300	54 3/16	77 3/4	84	6 1/2	25 3/8	34 3/16	16	16	82 1/4	73 1/4	STSG10	7 Ga.	10 Ga.	7 Ga.	12 Ga.
STTRH1400	400	54 3/16	91	84	6 1/2	28 3/8	31 3/8	16	16	82 1/4	86 1/2	STSG10	7 Ga.	10 Ga.	7 Ga.	12 Ga.

D.I.N. Reservoirs - Series 1



This product includes:

1. Oil Level and Temp. Gauge
2. Riser with Filler Breather
3. D.I.N. Type Endcover, Gasket and Hardware
4. SAE Drain with plug
5. Recessed Top (Drip Lip)
 - Exterior- prime painted
 - Interior- rust inhibitor



Sight gauge and filler breather shipped loose inside reservoir

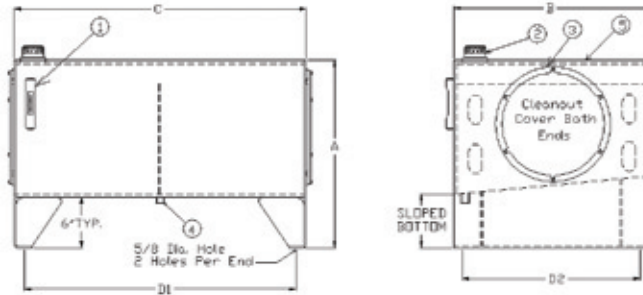
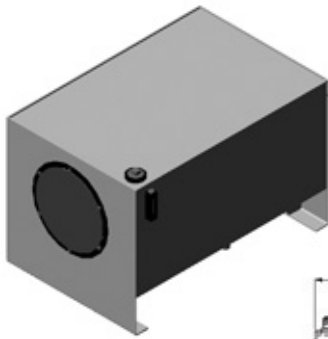
Heavy Duty

Part Number	Capacity Gallons	Dimensions					End Cover	Sight Gauge	Material Thickness			
		A Height	B Width	C Length	D1	D2			Ends	Top	Body	Baffle
STDRH1020	20	21	18	24 3/8	21 3/4	15 1/2	324	STSG05	7 Ga.	7 Ga.	10 Ga.	N/A
STDRH1030	30	21 7/16	20 3/4	30 3/8	27	18 1/4	324	STSG05	7 Ga.	7 Ga.	10 Ga.	N/A
STDRH1040	40	22 3/4	20 3/4	36 3/8	33	18 1/4	324	STSG05	7 Ga.	7 Ga.	10 Ga.	N/A
STDRH1060	60	24 1/4	24	42 3/8	39	21 1/2	324	STSG05	7 Ga.	3/8	10 Ga.	N/A
STDRH1080	80	25 3/8	30	42 3/8	39	27 1/2	324	STSG05	7 Ga.	3/8	10 Ga.	N/A
STDRH1100	100	29 1/4	30	42 3/8	39	27 1/2	449	STSG10	3/8	3/8	10 Ga.	N/A
STDRH1120	120	30 1/4	30	48 1/2	45	27 1/2	449	STSG10	3/8	3/8	10 Ga.	N/A
STDRH1150	150	30 1/4	30	60 1/2	57	27 1/2	449	STSG10	3/8	3/8	10 Ga.	N/A
STDRH1200	200	29 13/16	36	72 3/4	69	33 1/2	449	STSG10	3/8	3/8	7 Ga.	N/A
STDRH1300	300	38 11/16	36	72 3/4	69	33 1/2	449	STSG10	3/8	3/8	7 Ga.	N/A
STDRH1400	400	43 3/16	36	84 3/4	80 3/4	33 1/2	449	STSG10	3/8	1/2	7 Ga.	N/A
STDRH1500	500	44 3/4	42	84 3/4	80 3/4	39 1/2	449	STSG10	3/8	1/2	7 Ga.	N/A

Light Duty

Part Number	Capacity Gallons	Dimensions					End Cover	Sight Gauge	Material Thickness			
		A Height	B Width	C Length	D1	D2			Ends	Top	Body	Baffle
STDRL1020	20	20 1/2	18	30	27	15 1/2	324	STSG05	7 Ga.	7 Ga.	10 Ga.	N/A
STDRL1035	35	21 1/4	24	35	32	21 1/2	324	STSG05	7 Ga.	7 Ga.	10 Ga.	N/A
STDRL1060	60	22 3/4	26	42	39	23 1/2	324	STSG05	7 Ga.	1/4	10 Ga.	N/A
STDIL1080	80	24 3/4	27	48	45	24 1/2	324	STSG05	7 Ga.	1/4	10 Ga.	N/A
STDRL1100	100	24 3/4	30	57	54	27 1/2	324	STSG10	1/4	1/4	10 Ga.	N/A
STDRL1120	120	25 3/4	30	60	57	27 1/2	449	STSG10	1/4	3/8	10 Ga.	N/A
STDRL1150	150	29 3/4	30	60	57	27 1/2	449	STSG10	1/4	3/8	10 Ga.	N/A
STDRL1200	200	28 1/2	36	72	69	33 1/2	449	STSG10	3/8	3/8	10 Ga.	N/A
STDRL1300	300	38 1/2	36	72	69	33 1/2	449	STSG10	3/8	3/8	10 Ga.	N/A
STDRL1400	400	43 3/16	36	84 3/4	81 3/4	33 1/2	449	STSG10	3/8	3/8	10 Ga.	N/A
STDRL1500	500	44 3/4	42	84 3/4	81 3/4	39 1/2	449	STSG10	3/8	3/8	10 Ga.	N/A

D.I.N. Reservoirs - Series 2



This product includes:

1. Oil Level and Temp. Gauge
2. Riser with Filler Breather
3. (2) D.I.N. Type Endcover, Gasket and Hardware
4. SAE Drain with plug
5. Recessed Top (Drip Lip)
6. Baffle with cutouts
 - Exterior- prime painted
 - Interior- rust inhibitor

Sight gauge and filler breather shipped loose inside reservoir

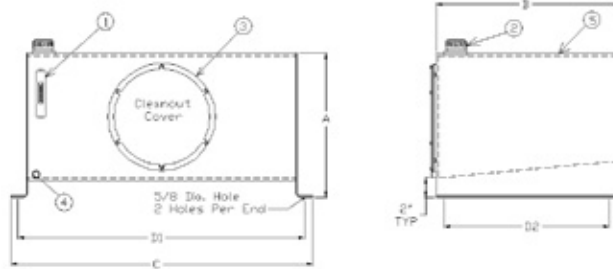
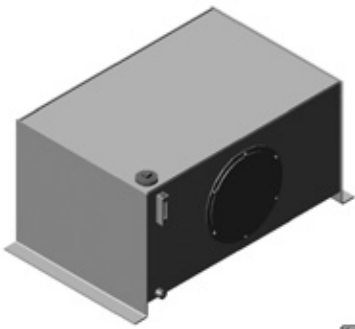
Heavy Duty

Part Number	Capacity Gallons	Dimensions					Material Thickness					
		A Height	B Width	C Length	D1	D2	End Cover	Sight Gauge	Ends	Top	Body	Baffle
STDRH2020	20	21	18	24 3/8	21 3/4	15 1/2	324	STSG05	7 Ga.	7 Ga.	10 Ga.	12 Ga.
STDRH2030	30	21 7/16	20 3/4	30 3/8	27	18 1/4	324	STSG05	7 Ga.	7 Ga.	10 Ga.	12 Ga.
STDRH2040	40	22 3/4	20 3/4	36 3/8	33	18 1/4	324	STSG05	7 Ga.	7 Ga.	10 Ga.	12 Ga.
STDRH2060	60	24 1/4	24	42 3/8	39	21 1/2	324	STSG05	7 Ga.	3/8	10 Ga.	12 Ga.
STDRH2080	80	25 3/8	30	42 3/8	39	27 1/2	324	STSG05	7 Ga.	3/8	10 Ga.	12 Ga.
STDRH2100	100	29 1/4	30	42 3/8	39	27 1/2	449	STSG10	3/8	3/8	10 Ga.	12 Ga.
STDRH2120	120	30 1/4	30	48 1/2	45	27 1/2	449	STSG10	3/8	3/8	10 Ga.	12 Ga.
STDRH2150	150	30 1/4	30	60 1/2	57	27 1/2	449	STSG10	3/8	3/8	10 Ga.	12 Ga.
STDRH2200	200	29 13/16	36	72 3/4	69	33 1/2	449	STSG10	3/8	3/8	7 Ga.	12 Ga.
STDRH2300	300	38 11/16	36	72 3/4	69	33 1/2	449	STSG10	3/8	3/8	7 Ga.	12 Ga.
STDRH2400	400	43 3/16	36	84 3/4	80 3/4	33 1/2	449	STSG10	3/8	1/2	7 Ga.	12 Ga.
STDRH2500	500	44 3/4	42	84 3/4	80 3/4	39 1/2	449	STSG10	3/8	1/2	7 Ga.	12 Ga.

Light Duty

Part Number	Capacity Gallons	Dimensions					Material Thickness					
		A Height	B Width	C Length	D1	D2	End Cover	Sight Gauge	Ends	Top	Body	Baffle
STDRL2020	20	20 1/2	18	30	27	15 1/2	324	STSG05	7 Ga.	7 Ga.	10 Ga.	12 Ga.
STDRL2035	35	21 1/4	24	35	32	21 1/2	324	STSG05	7 Ga.	7 Ga.	10 Ga.	12 Ga.
STDRL2060	60	22 3/4	26	42	39	23 1/2	324	STSG05	7 Ga.	1/4	10 Ga.	12 Ga.
STDRL2080	80	24 3/4	27	48	45	24 1/2	324	STSG05	7 Ga.	1/4	10 Ga.	12 Ga.
STDRL2100	100	24 3/4	30	57	54	27 1/2	324	STSG10	1/4	1/4	10 Ga.	12 Ga.
STDRL2120	120	25 3/4	30	60	57	27 1/2	324	STSG10	1/4	3/8	10 Ga.	12 Ga.
STDRL2150	150	29 3/4	30	60	57	27 1/2	449	STSG10	1/4	3/8	10 Ga.	12 Ga.
STDRL2200	200	28 1/2	36	72	69	33 1/2	449	STSG10	3/8	3/8	10 Ga.	12 Ga.
STDRL2300	300	38 1/2	36	72	69	33 1/2	449	STSG10	3/8	3/8	10 Ga.	12 Ga.
STDRL2400	400	43 3/16	36	84 3/4	81 3/4	33 1/2	449	STSG10	3/8	3/8	10 Ga.	12 Ga.
STDRL2500	500	44 3/4	42	84 3/4	81 3/4	39 1/2	449	STSG10	3/8	3/8	10 Ga.	12 Ga.

D.I.N. Reservoirs - Series 3



This product includes:

1. Oil Level and Temp. Gauge
2. Riser with Filler Breather
3. D.I.N. Type Endcover, Gasket and Hardware
4. SAE Drain with plug
5. Recessed Top (Drip Lip)
 - Exterior- prime painted
 - Interior- rust inhibitor

Sight gauge and filler breather shipped loose inside reservoir

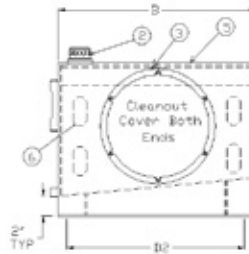
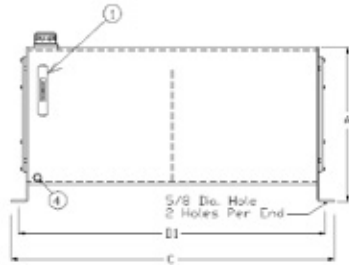
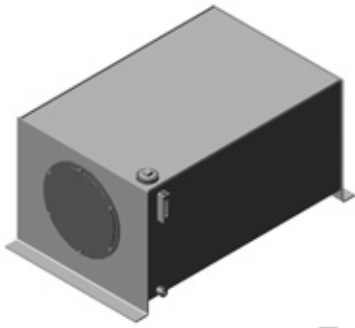
Heavy Duty

Part Number	Capacity Gallons	Dimensions					End Cover	Sight Gauge	Material Thickness			
		A	B	C	D1	D2			Ends	Top	Body	Baffle
		Height	Width	Length								
STDRH3020	20	17	18	28	26 1/2	15 1/2	324	STSG05	7 Ga.	7 Ga.	10 Ga.	N/A
STDRH3030	30	17 7/16	20 3/4	34	32 1/2	18 1/4	324	STSG05	7 Ga.	7 Ga.	10 Ga.	N/A
STDRH3040	40	18 3/4	20 3/4	40	38 1/2	18 1/4	324	STSG05	7 Ga.	7 Ga.	10 Ga.	N/A
STDRH3060	60	20 1/4	24	46	44 1/2	21 1/2	324	STSG05	7 Ga.	3/8	10 Ga.	N/A
STDRH3080	80	21 3/8	30	46	44 1/2	27 1/2	324	STSG05	7 Ga.	3/8	10 Ga.	N/A
STDRH3100	100	25 1/4	30	46	44 1/2	27 1/2	449	STSG10	7 Ga.	3/8	10 Ga.	N/A
STDRH3120	120	26 1/4	30	52	50 1/2	27 1/2	449	STSG10	7 Ga.	3/8	10 Ga.	N/A
STDRH3150	150	26 1/4	30	64	62 1/2	27 1/2	449	STSG10	3/8	3/8	10 Ga.	N/A
STDRH3200	200	25 13/16	36	77	75 1/2	33 1/2	449	STSG10	3/8	3/8	7 Ga.	N/A

Light Duty

Part Number	Capacity Gallons	Dimensions					End Cover	Sight Gauge	Material Thickness			
		A	B	C	D1	D2			Ends	Top	Body	Baffle
		Height	Width	Length								
STDRL3020	20	16	18	33 3/8	32 1/8	15 1/2	324	STSG05	7 Ga.	7 Ga.	10 Ga.	N/A
STDRL3035	35	16 3/4	24	38 5/8	37 1/8	21 1/2	324	STSG05	7 Ga.	7 Ga.	10 Ga.	N/A
STDRL3060	60	18 1/4	26	45 3/4	44 1/4	23 1/2	324	STSG05	7 Ga.	1/4	10 Ga.	N/A
STDRL3080	80	20 1/4	27	51 5/8	50 1/8	24 1/2	324	STSG05	7 Ga.	1/4	10 Ga.	N/A
STDRL3100	100	20 1/4	30	60 5/8	59 1/4	27 1/2	324	STSG10	7 Ga.	1/4	10 Ga.	N/A
STDRL3120	120	21 1/4	30	63 1/2	62 1/8	27 1/2	324	STSG10	7 Ga.	1/4	10 Ga.	N/A
STDRL3150	150	25 1/4	30	63 1/2	62 1/8	27 1/2	449	STSG10	1/4	3/8	10 Ga.	N/A
STDRL3200	200	24	36	75 1/2	74	33 1/2	449	STSG10	1/4	3/8	10 Ga.	N/A

D.I.N. Reservoirs - Series 4



This product includes:

1. Oil Level and Temp. Gauge
2. Riser with Filler Breather
3. (2) D.I.N. Type Endcover, Gasket and Hardware
4. SAE Drain with plug
5. Recessed Top (Drip Lip)
6. Baffle with cutouts
 - Exterior- prime painted
 - Interior- rust inhibitor

Sight gauge and filler breather shipped loose inside reservoir

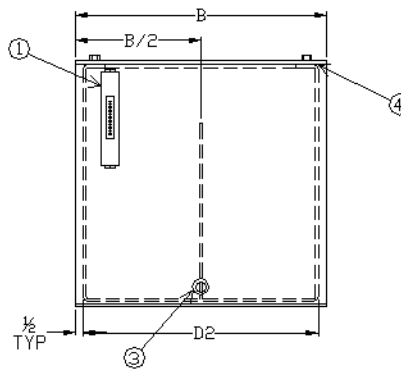
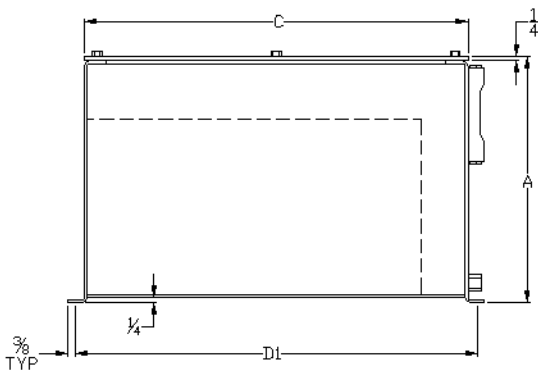
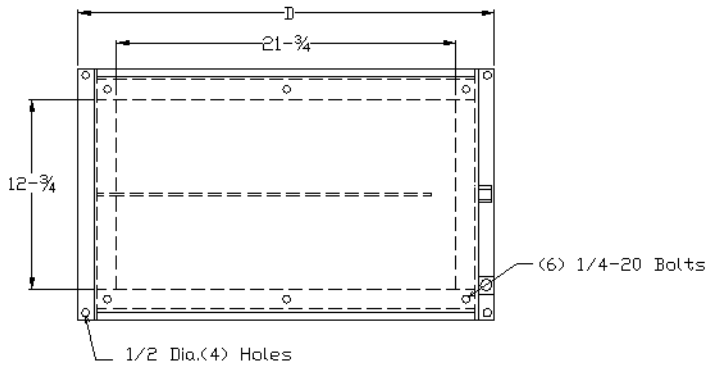
Heavy Duty

Part Number	Capacity Gallons	Dimensions					End Cover	Sight Gauge	Material Thickness			
		A	B	C	D1	D2			Ends	Top	Body	Baffle
		Height	Width	Length								
STDRH4020	20	17	18	28	26 1/2	15 1/2	324	STSG05	7 Ga.	7 Ga.	10 Ga.	12 Ga.
STDRH4030	30	17 7/16	20 3/4	34	32 1/2	18 1/4	324	STSG05	7 Ga.	7 Ga.	10 Ga.	12 Ga.
STDRH4040	40	18 3/4	20 3/4	40	38 1/2	18 1/4	324	STSG05	7 Ga.	7 Ga.	10 Ga.	12 Ga.
STDRH4060	60	20 1/4	24	46	44 1/2	21 1/2	324	STSG05	7 Ga.	3/8	10 Ga.	12 Ga.
STDRH4080	80	21 3/8	30	46	44 1/2	27 1/2	324	STSG05	7 Ga.	3/8	10 Ga.	12 Ga.
STDRH4100	100	25 1/4	30	46	44 1/2	27 1/2	449	STSG10	7 Ga.	3/8	10 Ga.	12 Ga.
STDRH4120	120	26 1/4	30	52	50 1/2	27 1/2	449	STSG10	7 Ga.	3/8	10 Ga.	12 Ga.
STDRH4150	150	26 1/4	30	64	62 1/2	27 1/2	449	STSG10	3/8	3/8	10 Ga.	12 Ga.
STDRH4200	200	25 13/16	36	77	75 1/2	33 1/2	449	STSG10	3/8	3/8	7 Ga.	12 Ga.

Light Duty

Part Number	Capacity Gallons	Dimensions					End Cover	Sight Gauge	Material Thickness			
		A	B	C	D1	D2			Ends	Top	Body	Baffle
		Height	Width	Length								
STDRL4020	20	16	18	33 5/8	32 1/8	15 1/2	324	STSG05	7 Ga.	7 Ga.	10 Ga.	12 Ga.
STDRL4035	35	16 3/4	24	38 5/8	37 1/8	21 1/2	324	STSG05	7 Ga.	7 Ga.	10 Ga.	12 Ga.
STDRL4060	60	18 1/4	26	45 3/4	44 1/4	23 1/2	324	STSG05	7 Ga.	1/4	10 Ga.	12 Ga.
STDRL4080	80	20 1/4	27	51 5/8	50 1/8	24 1/2	324	STSG05	7 Ga.	1/4	10 Ga.	12 Ga.
STDRL4100	100	20 1/4	30	60 5/8	59 1/4	27 1/2	324	STSG10	7 Ga.	1/4	10 Ga.	12 Ga.
STDRL4120	120	21 1/4	30	63 1/2	62 1/8	27 1/2	324	STSG10	7 Ga.	1/4	10 Ga.	12 Ga.
STDRL4150	150	25 1/4	30	63 1/2	62 1/8	27 1/2	449	STSG10	1/4	3/8	10 Ga.	12 Ga.
STDRL4200	200	24	36	75 1/2	74	33 1/2	449	STSG10	1/4	3/8	10 Ga.	12 Ga.

Horizontal "Non-JIC" Reservoirs - Removable Top Series



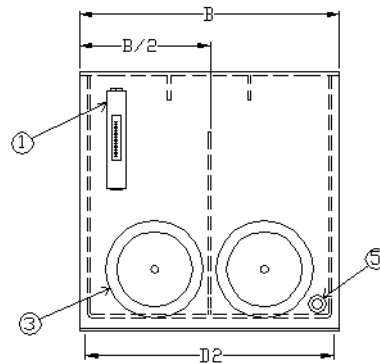
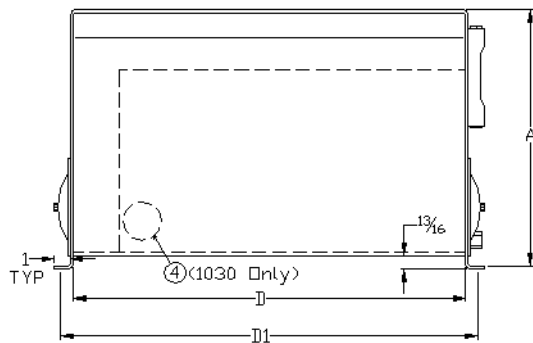
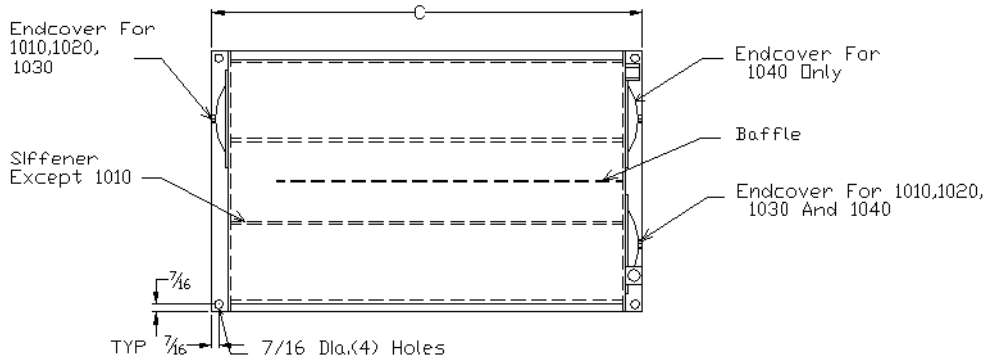
This product includes:

1. Oil Level and Temp. Gauge
2. Filler Breather - No hole provided
3. 3/4" NPT Drain
4. Neoprene Gasket
 - Exterior- prime painted
 - Interior- rust inhibitor

Sight gauge and filler breather shipped loose inside reservoir

Part Number	Capacity Gallons	Dimensions						End Cover	Sight Gauge	Material Thickness			
		A Height	B Width	C Length	D	D1 Mounting Centers	D2 Mounting Centers			Ends	Top	Body	Baffle
STHRR1010	10	9 1/2	16	26	24	25 1/4	15	N/A	STSG05	10 Ga.	1/4	10 Ga.	12 Ga.
STHRR1020	20	15 1/2	16	26	24	25 1/4	15	N/A	STSG05	10 Ga.	1/4	10 Ga.	12 Ga.
STHRR1030	30	21 1/2	16	26	24	25 1/4	15	N/A	STSG05	10 Ga.	1/4	10 Ga.	12 Ga.
STHRR1040	40	27 1/2	16	26	24	25 1/4	15	N/A	STSG05	10 Ga.	1/4	10 Ga.	12 Ga.

Horizontal "Non-JIC" Reservoirs - Welded Top Series



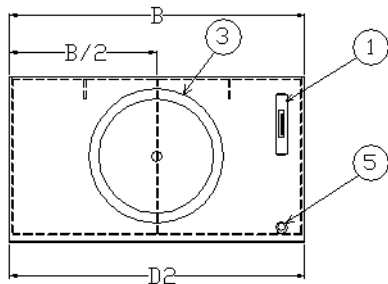
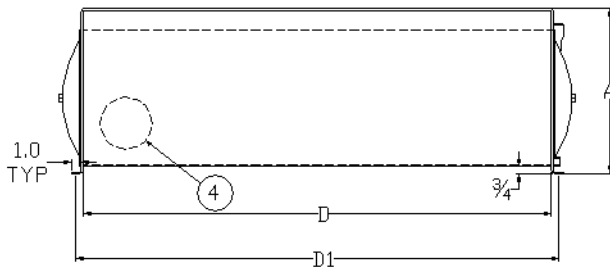
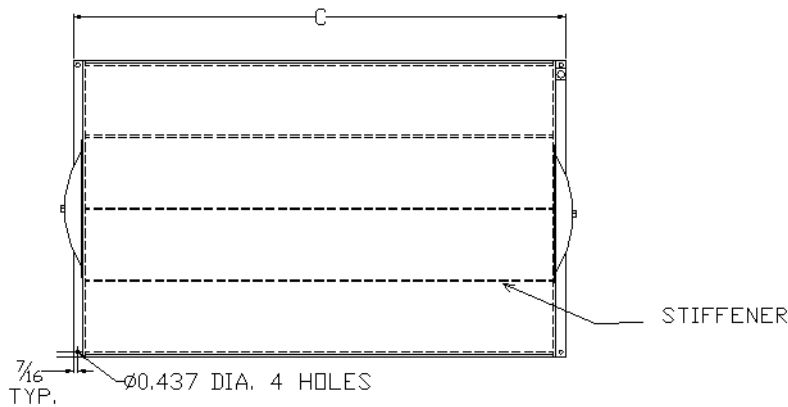
This product includes:

1. Oil Level and Temp. Gauge
 2. Filler Breather - No hole provided
 3. (2) 6" Cleanout Covers
 4. Baffle with cutouts
 5. 3/4" NPT Drain
- Exterior- prime painted
 - Interior- rust inhibitor

Sight gauge and filler breather shipped loose inside reservoir

Part Number	Capacity Gallons	Dimensions						End Cover	Sight Gauge	Material Thickness			
		A Height	B Width	C Length	D	D1 Mounting Centers	D2 Mounting Centers			Ends	Top	Body	Baffle
STHRW1010	10	12	14	22 1/4	20	21 3/8	13 1/8	6	STSG05	10 Ga.	10 Ga.	10 Ga.	12 Ga.
STHRW1020	20	14	18	26 1/4	24	25 3/8	17 1/8	6	STSG05	10 Ga.	10 Ga.	10 Ga.	12 Ga.
STHRW1030	30	14	18	38 1/4	36	37 3/8	17 1/8	6	STSG05	10 Ga.	10 Ga.	10 Ga.	12 Ga.
STHRW1040	40	14	24	38 1/4	36	37 3/8	23 1/8	6	STSG05	10 Ga.	10 Ga.	10 Ga.	12 Ga.

Horizontal "Non-JIC" Reservoirs - Welded Top Series



This product includes:

1. Oil Level and Temp. Gauge
2. Filler Breather - No hole provided
3. (2) 12" Cleanout Covers
4. Baffle with cutouts
5. 3/4" NPT Drain

- Exterior- prime painted
- Interior- rust inhibitor

Sight gauge and filler breather shipped loose inside reservoir

Part Number	Capacity Gallons	Dimensions						End Cover	Sight Gauge	Material Thickness			
		A	B	C	D	D1	D2			Ends	Top	Body	Baffle
		Height	Width	Length		Mounting Centers	Mounting Centers						
STHRW2060	60	16 5/8	30	42 3/8	40	41 1/2	29 1/8	12	STSG05	10 Ga.	10 Ga.	10 Ga.	12 Ga.
STHRW2080	80	16 5/8	30	50 3/8	48	49 1/2	29 1/8	12	STSG05	10 Ga.	10 Ga.	10 Ga.	12 Ga.
STHRW2100A	100	16 5/8	36	54 3/8	52	53 1/2	35 1/8	12	STSG05	10 Ga.	10 Ga.	10 Ga.	12 Ga.
STHRW2100B	100	19	30	50 3/8	48	49 1/2	29 1/8	12	STSG05	10 Ga.	10 Ga.	10 Ga.	12 Ga.