

HOMEBASE

SCANDI SAVANNAH SOFA

2 seater sofa

Wooden frame with solid beech wood legs

100% polyester fabric



INSTRUCTION MANUAL

IMPORTANT: Please read these instructions before using the product and retain for future use.

HHGL Limited, MK9 1BA; HHGL (RO) Limited, D02 X576

SAFETY AND CARE ADVICE

- Keep children and animals away from the work area; small parts could pose a choking hazard.
- For ease and speed of assembly, we recommend that before you commence assembly, you identify all the parts required for each step.
- This product is designed for domestic use only.
- We recommend that you assemble the product as close to its final position as possible, to avoid moving the product unnecessarily once assembled.
- Assemble on a soft, level surface to avoid damaging the product or your floor.
- We do not recommend the use of a power drill/drivers for inserting screws, as this could damage the product. Only use a hand screwdriver.
- Parts of the assembly will be easier with 2 people.
- Assemble all parts and bolts loosely during assembly; tighten bolts fully once the product is assembled.
- Dispose of all packaging carefully and responsibly.
- Maximum user weight is 110kg per seat.



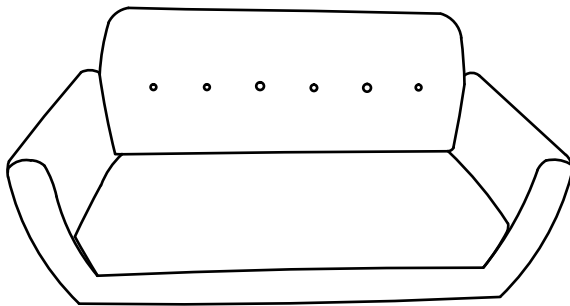
WARNING

- Beware of entrapment. Keep hands and fingers clear of the mechanism when the sofa is being assembled.
- Ensure that children or pets are not playing or lying in the way when the mechanism is operated.
- Prevent children from playing on the furniture.

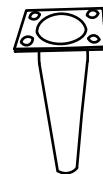
CARE AND MAINTENANCE

- For the fabric, only clean using a damp cloth and mild detergent. Do not use abrasive cleaners.
- For the legs, use a dry cloth. Furniture polish is not recommended.
- From time to time, check that there are no loose screws, nuts or bolts. If there are, please re-tighten.
- This product should not be discarded with household waste. Take it to your local authority waste disposal centre.

PARTS LIST



① Sofa seat x 1



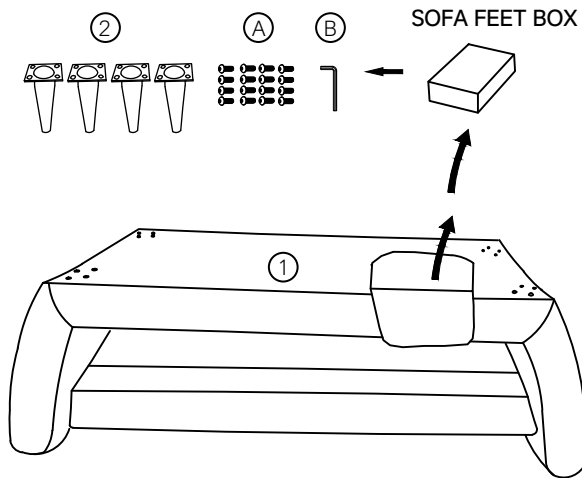
② Legs x 4



ASSEMBLY

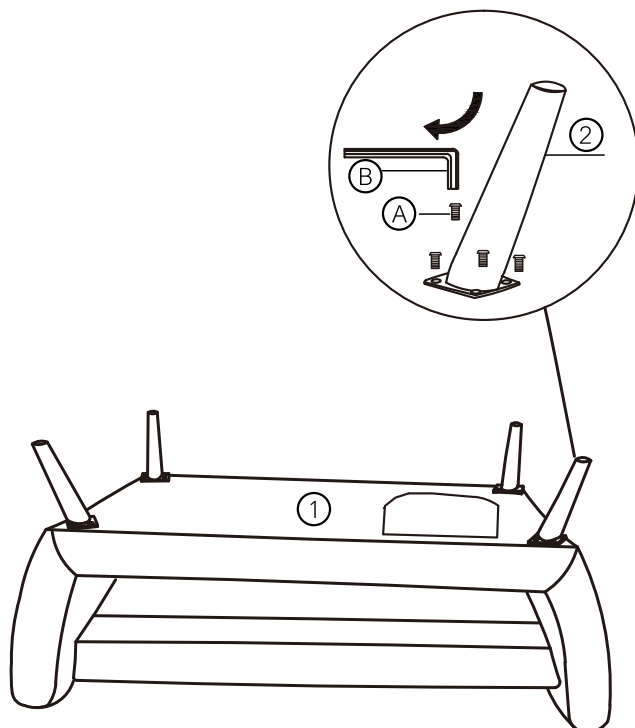
Step 1

Place the sofa seat (1) upside down on a flat protected surface. Take out the sofa feet box from underneath the sofa, as shown.



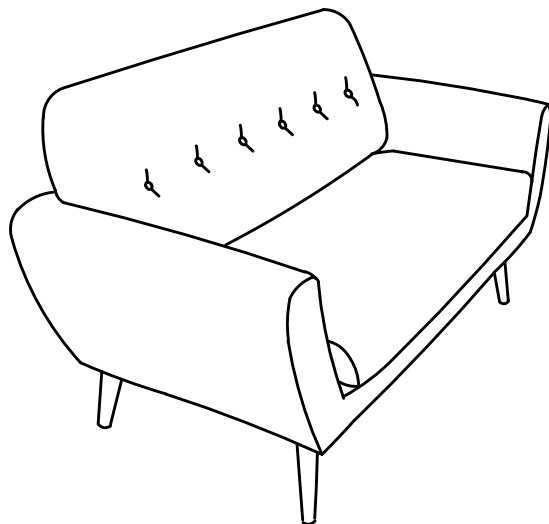
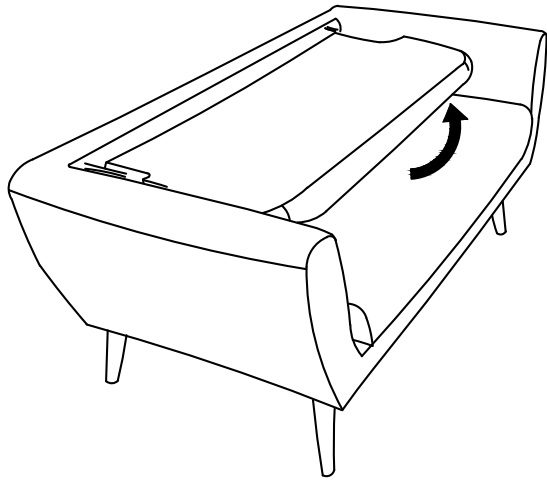
Step 2

Align the legs (2) with the holes in the sofa base. Affix using bolts (A) and the Allen key (B), as shown.



Step 3

Pull the backrest up, as shown.



ASSEMBLY COMPLETE