

GET YOUR ^{STUFF} ~~STUFF~~
TOGETHER!

OMNIWALL

Installation Instructions



Quick Notes to Start: OmniWall's distinctive design allows for endless installation options to fit your space and needs. Our panels are designed to be installed with a wall cleat system to secure your panels to the wall. The length of cleats needed depends on your panel configuration. The cleats mount to the wall and panels mount and secure to the cleats. Single and horizontal panel configurations will need a top cleat and a bottom cleat. Vertically stacked configurations will use a top cleat, top cleat, bottom cleat system. There is no need to install a bottom cleat until you reach the bottom of your entire configuration. The bottom of the panel will attach to the top of the panel hanging below it.

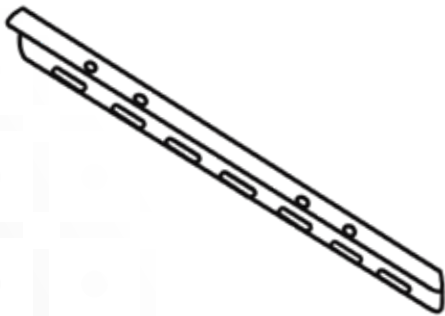
OmniWall Product Materials
(Actual product included is based on your order)

OmniWall Cleat Installation - Single Panel

Step 1: Prepare Cleats for Installation

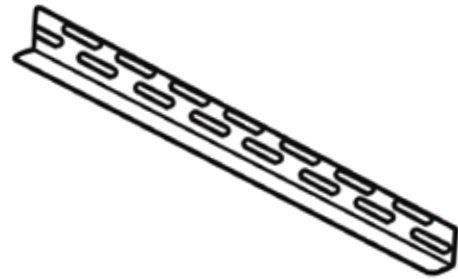
Locate and identify the top and bottom cleats. Tip:

The top cleat has an offset that the panel will hang on. The bottom cleat is just a 90° angle.



Step 2: Mark Location of Top Cleat

Mark the location at the desired height for the top of the panel. If mounting in studs, find the center of the studs to mark screw placement. Use a stud finder or other reliable method.

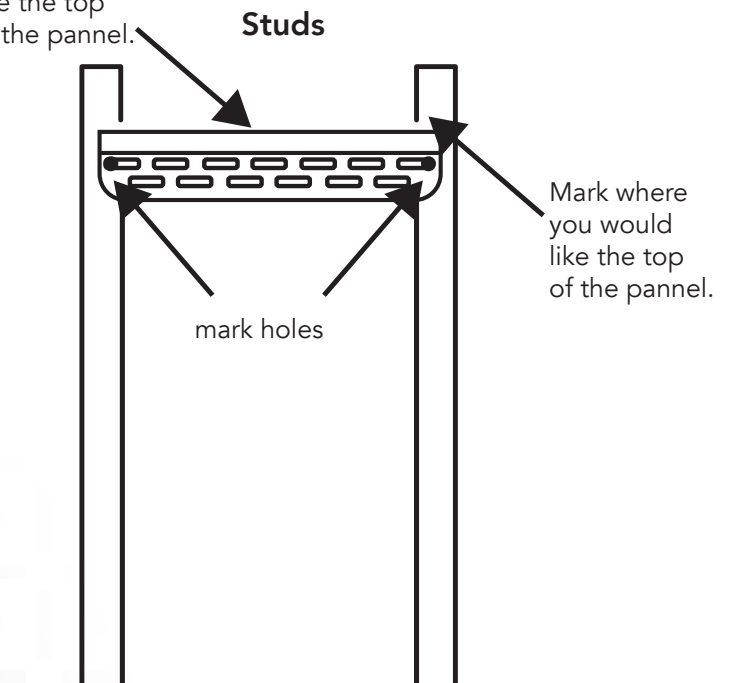


Step 3: Mark Hole Locations for the Top Cleat

Place the top cleat at the desired height; use a level to ensure the cleat is level. Tip: The top cleat will be positioned so the side with two rows of slots is flush on the wall and the side with several round holes is on the top side.

Mark the screw placement near both ends of the cleat. Tip: Multiple slots in the cleats allow for easy alignment with studs. Mark any slot near the ends of the cleat for installation. If installing horizontally or multiple panels with a longer cleat mark holes approximately every 16"

Mark where you would like the top of the panel.



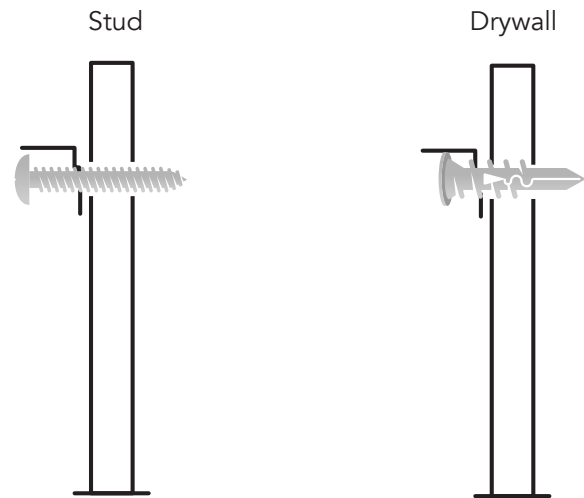
Step 4: Install Top Cleat

Tip: Do not fully tighten screws until both screws have been started and the cleat is level.

Stud (Recommended) Place screw through the slots on the cleats that line up with your marks made in Step 3. Using a Phillips screwdriver #2 bit, attach cleat to the wall using provided screws.

Drywall Drill pilot holes using a 5/16 drill bit at marked locations. Press tip of anchor into pre drilled holes using #2 Phillips screwdriver or screw gun. Drive anchor clockwise into drywall until anchor stops flush with wall. Secure cleat into the anchors using provided screws. Place screw through the slots on the cleats that lines up with your anchors.

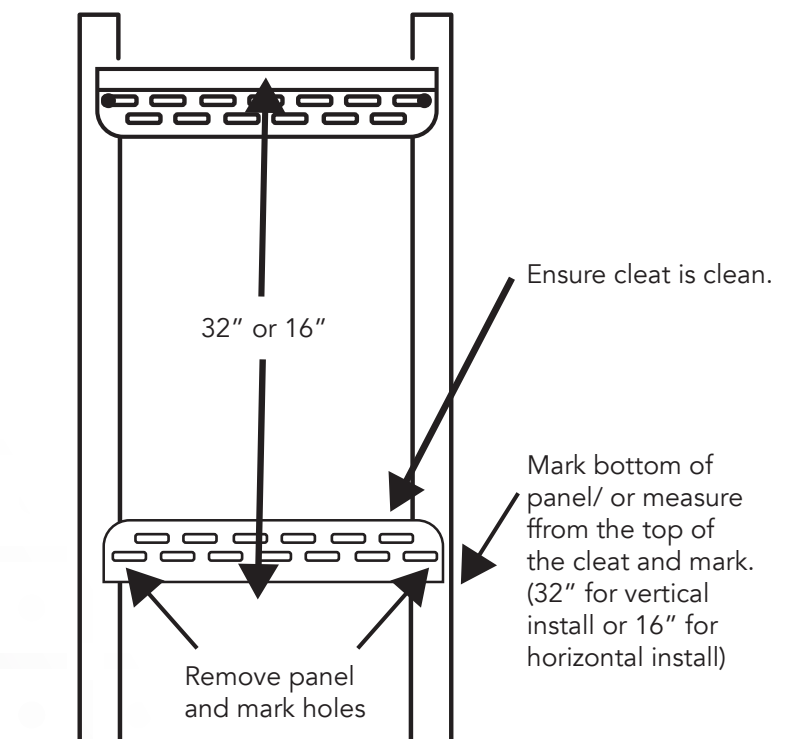
Side view of cleats installed



Step 5: Mark the Location of the Bottom Cleat

(Option 1) To install the bottom cleat first mark the placement. To do this, measure 32" from the top of the top cleat, ensuring that the top and bottom cleats are aligned vertically and that the bottom cleat is level.

(Option 2) Mark the placement of the bottom cleat by using the panel to measure the spacing. Temporarily hang the panel on the installed top cleat. Place the bottom cleat snugly against the bottom of the panel.



Use OmniWall Clips to hold the bottom cleat in place by inserting the clips through the bottom of the cleat into the bottom of the panel Tip: Do not push panel clips all the way in at this time: Only push partly in to hold cleat and panel in alignment. Mark the location of the underside of the bottom cleat.

After the placement for the bottom side of the lower cleat is marked remove Omni Wall Clips and panel (if option 2 was used). Hold the cleat level on the line just marked and mark the screw placement.

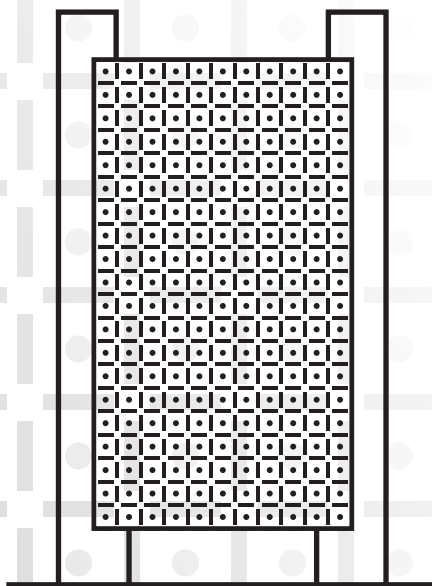
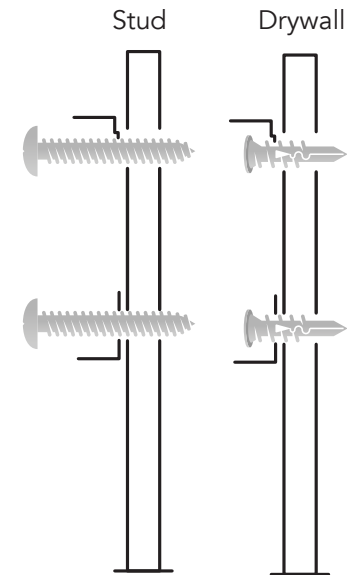
Step 6: Install Bottom Cleat

Repeat step 4 to install bottom cleat.

Step 7: Hang Panel

Hang panel on top cleat with bottom of panel resting on the inside of bottom cleat. Secure with two Omni-Wall clips on top and two on bottom using the smaller holes at the top and bottom of the cleats

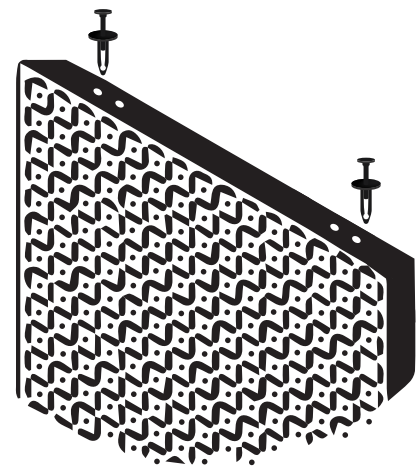
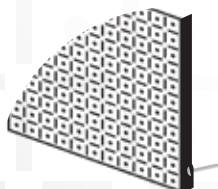
Side view of cleats installed



Top: panel is on the outside of cleat.



Bottom: panel sits inside of the cleat.

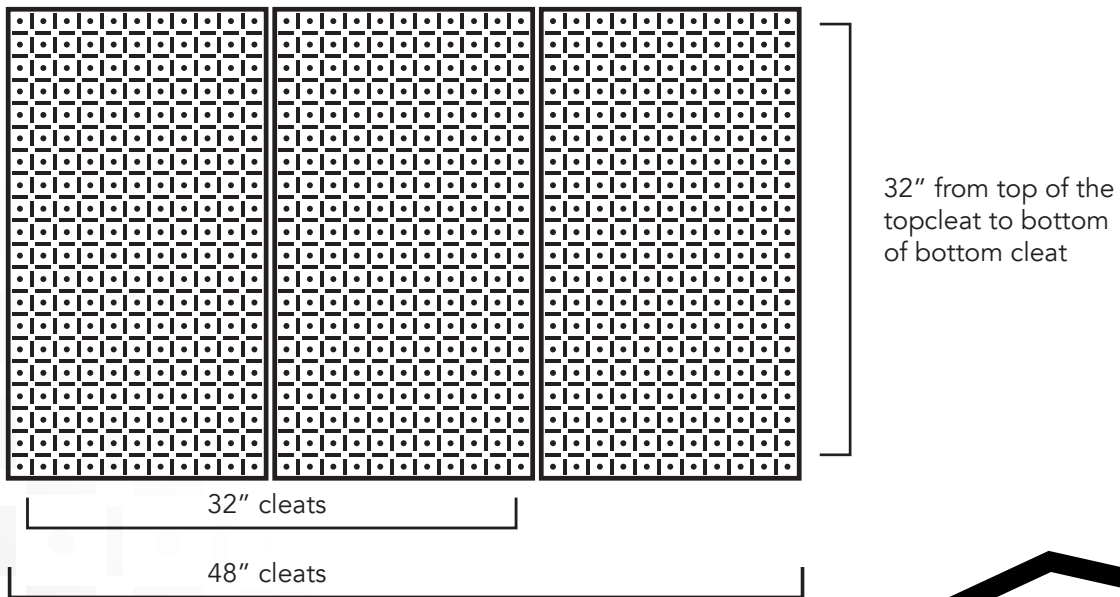


OmniWall Cleat Installation - Multiple Panel

OmniWall panels are designed to be easily installed in whatever configuration fits your space and needs. Installation is similar to single panel so please review those instructions. Modifications for multiple panels are described below.

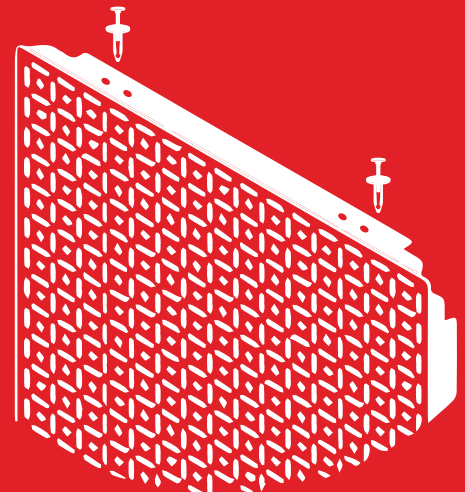
Two or Three Vertical Panels

Vertical Panels will be installed the same way as single panels. As with single panel installation, it is important that the cleats are installed level and the bottom cleat is vertically aligned under the top cleat.



Stacking Panels On Top

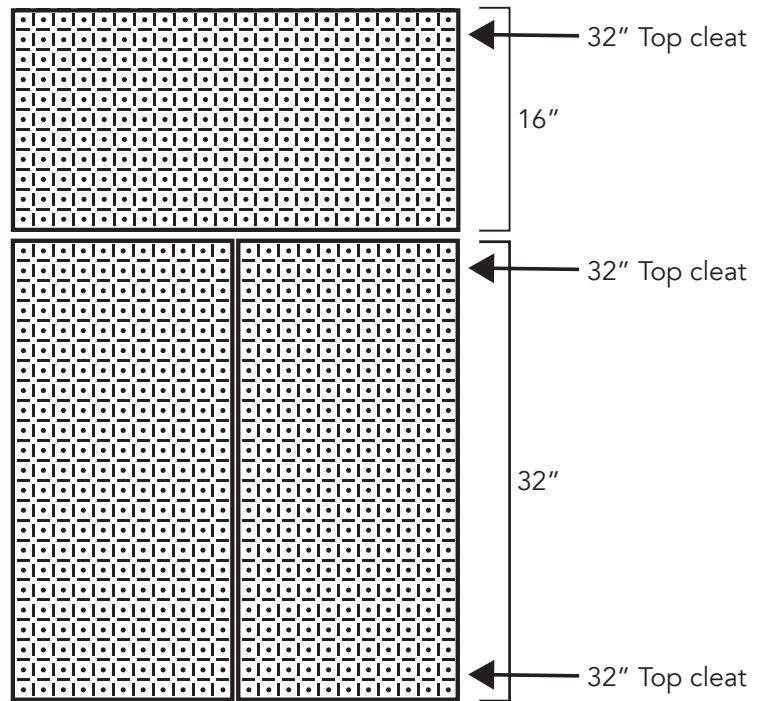
Double Sided OmniWall Clips are used when stacking panels vertically. Only 2 clips are needed per panel stacked. Double sided clips are not needed when placing panels side by side.



*Panel configurations on this sheet are just an example. OmniWall can be configured to meet your needs.

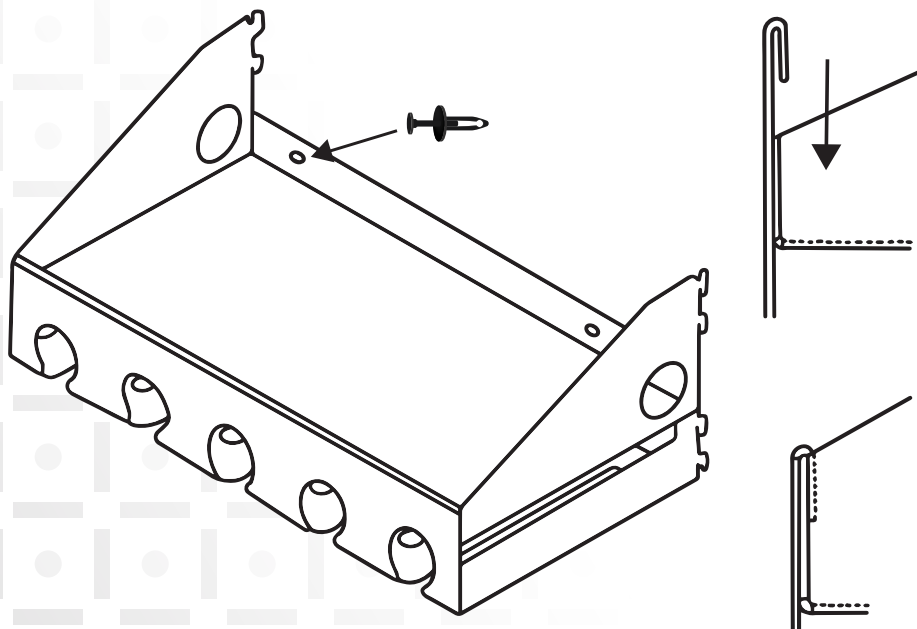
Vertically Stacked Panels

Panels installed above/below other OmniWall panels do not need a bottom cleat where the top and bottom panels meet. They should be secured with double sided panel clips. Hang the lower panels insert the double clips on the top side and then hang and secure the upper panels.



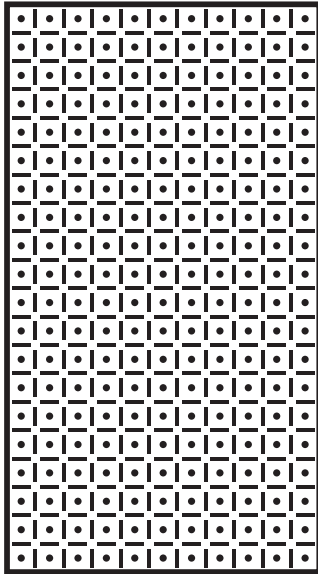
Accessory Installation Instructions: Air Tool Hanger

The Air Tool Hanger is designed to install with the 8x16 shelf. Install the shelf and air tool hanger sliding the front top of the air tool hanger over the lip of the shelf. Secure the shelf and the hanger tabs to the OmniPanel. After install, the shelf and hanger can be further secured using the provided OmniClips in the holes on the back of the impact shelf.

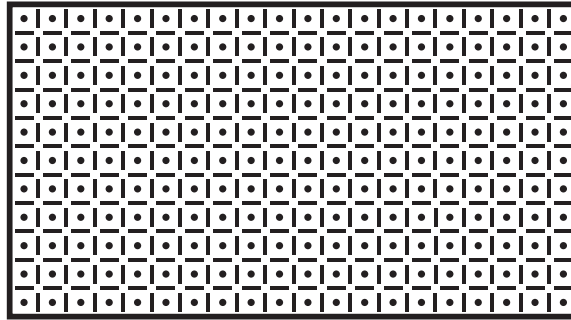


OmniWall Panels

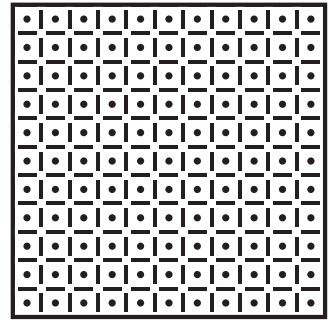
16" x 32"



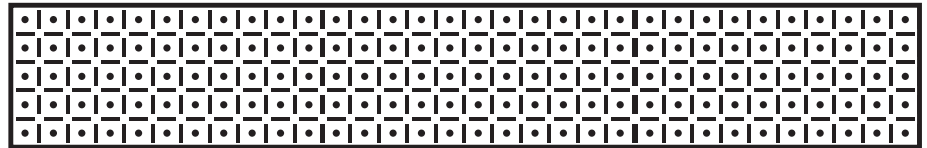
32" x 16"



16" x 16"



48" x 5"



Top Cleat and Bottom Cleat -

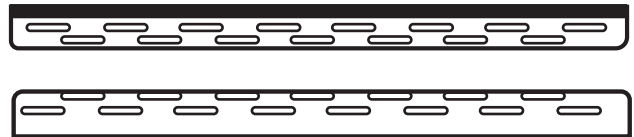
Available in:

16" for single vertical or square panels

32" for single horizontal panel or two vertical panels

48" for 3 vertical panels or one

48" x 5" panel



Hardware

Drywall anchors



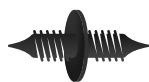
Screws



OmniWall Clip



Double-sided
Omniwall Clip



Suggested Tools

Level

Pencil

Drill

5/16 drill bit

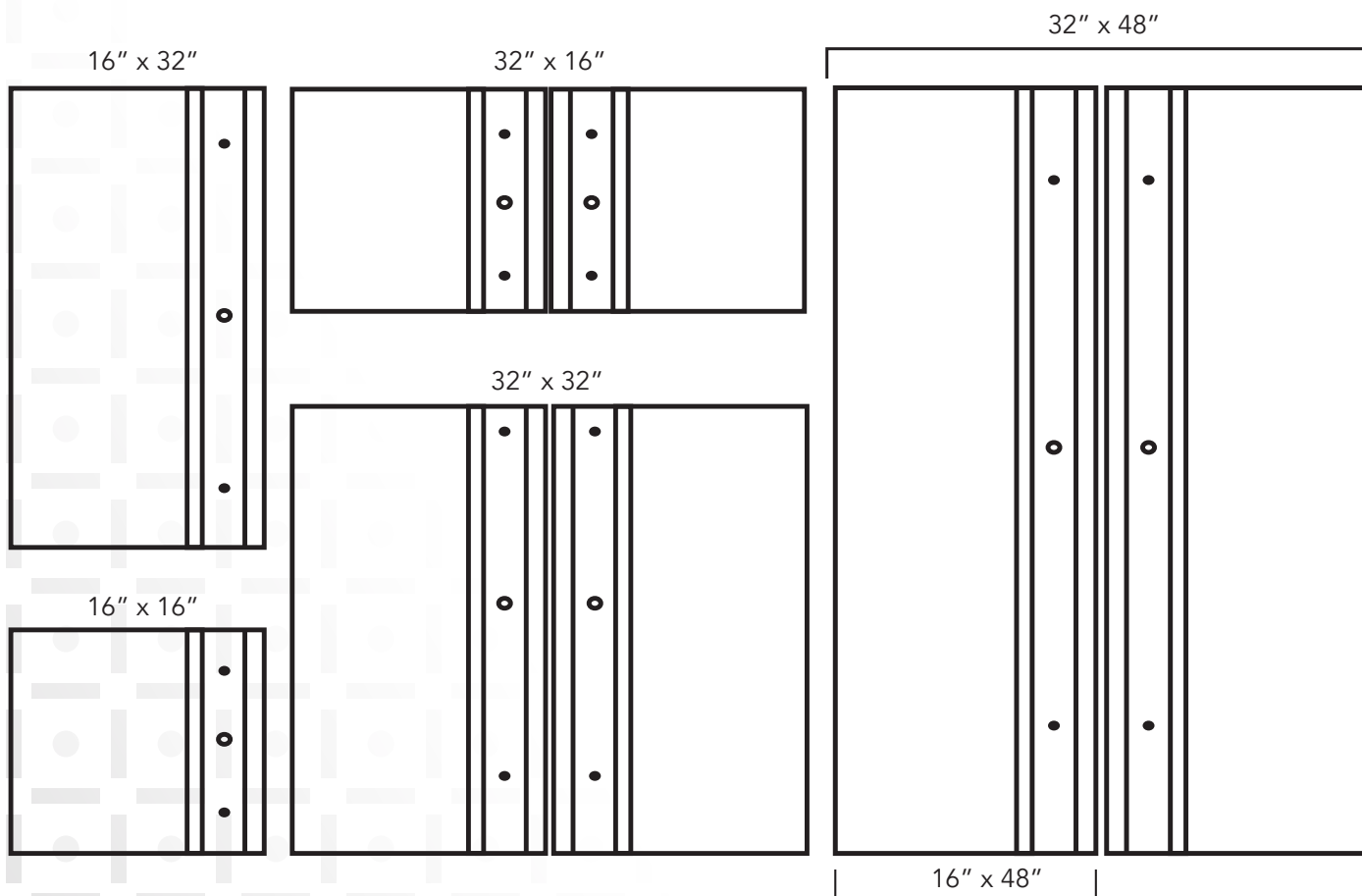
#2 Screwdriver or bit

Cabinet Installation Instructions

Quick Notes to Start: OmniWall's distinctive design allows for endless installation options to fit your space and needs. For panel installation, see our panel installation instructions. We offer 6 different sizes of OmniWall cabinets. Each cabinet comes with everything needed, including wall cleats and panels. All 6 cabinets mount in the same manner, they just use different panel and cleat sizes depending on the cabinet ordered. The locks and door stiffeners will come pre assembled to the cabinet door. Cabinet components include a LH side, RH side, top, bottom, 1 or 2 doors, and all the hardware. All cabinets are 12" deep. Cabinet doors are symmetrical and can be mounted to open LH or RH.

Omni Wall Product Materials (Actual product included is based on your order)

Cabinet Sizes



Suggested Tools:

Level

#2 Phillips Screwdriver

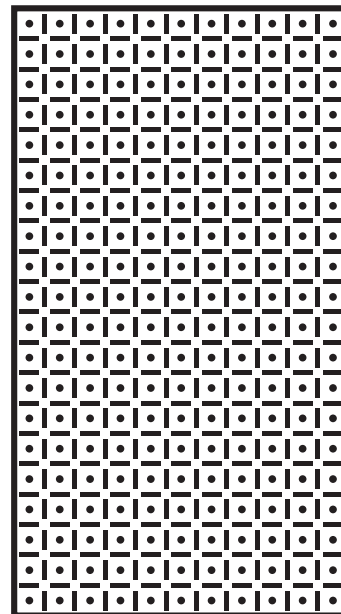
OmniWall Cabinet Install - 167 X 327

Follow the same process for all cabinets

Step 1: Prepare Panel & Cleats for install

Locate included panel instruction sheet. Follow Instructions, then move to step 2.

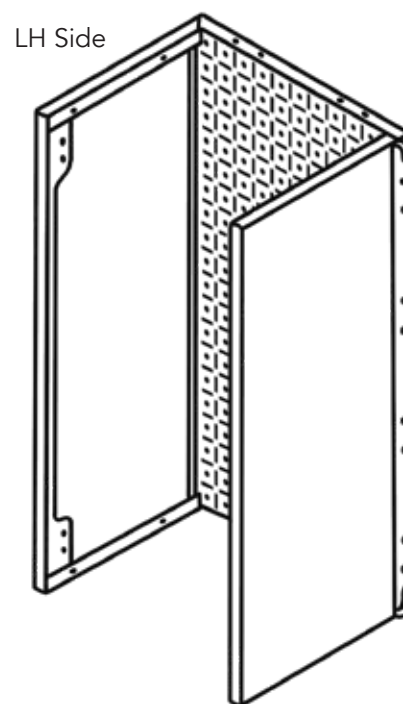
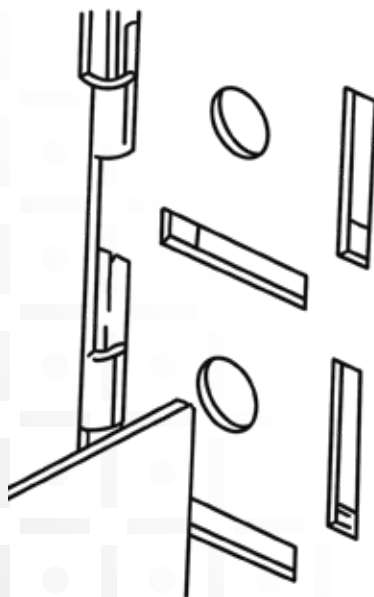
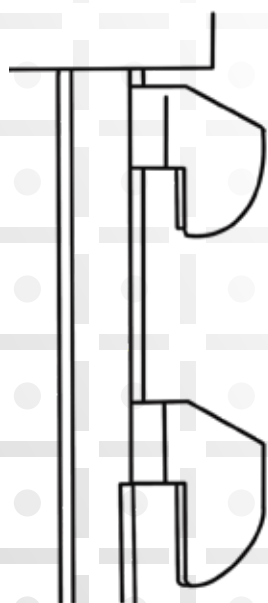
Notes: Large Omni Wall accessories are easier to install before cabinet construction. Mount the Omni Wall accessories to the panel, then build the cabinet around them.



Step 2: Hang LH Side & RH Side

Note: LH & RH sides are symmetrical and can be used on 16" or 32" wide cabinets.

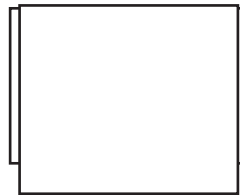
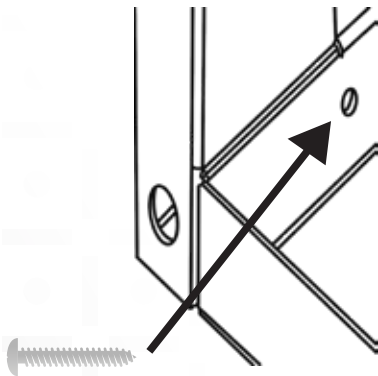
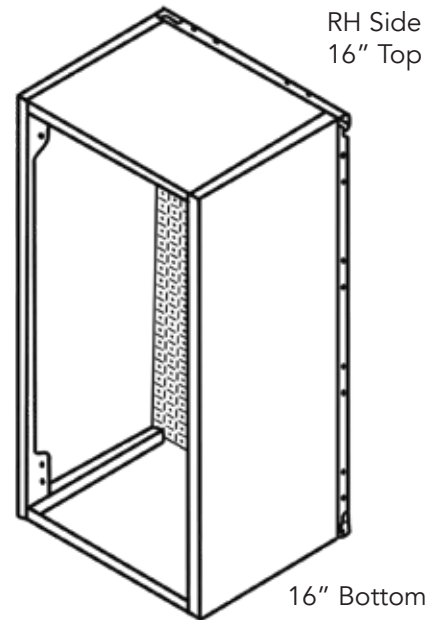
Locate the LH side panel. Use the tabs on the back of the panel to hang it in the slots of the OmniWall panel. Now locate the RH side and repeat the process.



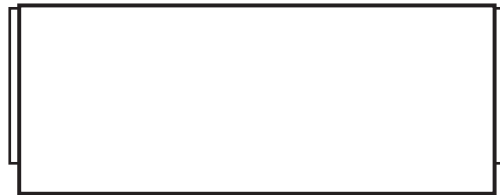
Step 3: Mounting Top & Bottom

Note: 16" wide cabinets use a different top & bottom than 32" wide cabinets.

Locate bottom panel and place it between the LH & RH Side. Insert X4 6-32 button head screws. Do not completely tighten. Locate top panel and place it between the LH & RH side. Insert X4 6-32 button head screws. Do not completely tighten



16" Top & Bottom

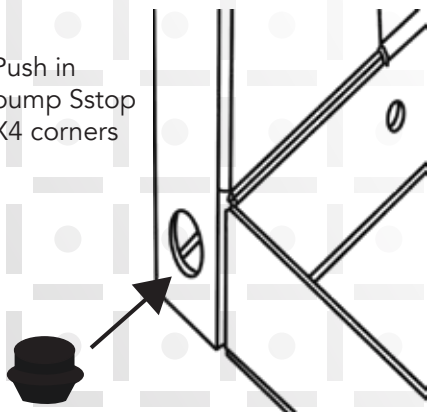


32" Top & Bottom

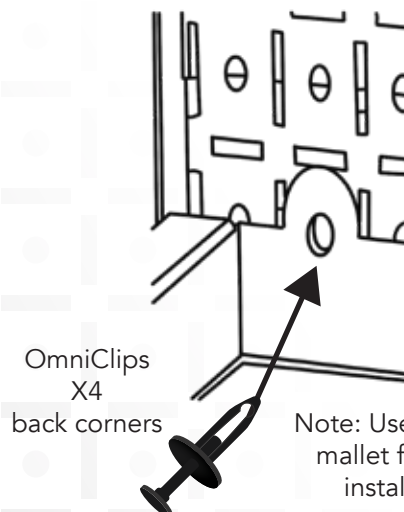
Step 4: Install OmniClips & Bumpers

Locate and install X4 OmniClips. These lock the Top & Bottom to the OmniPanel. Now tighten X8 6-32 screws from step 3. Install X4 bump stops for 16" wide cabinets and X8 bump stops for 32" wide cabinets.

Push in bump Sstop X4 corners

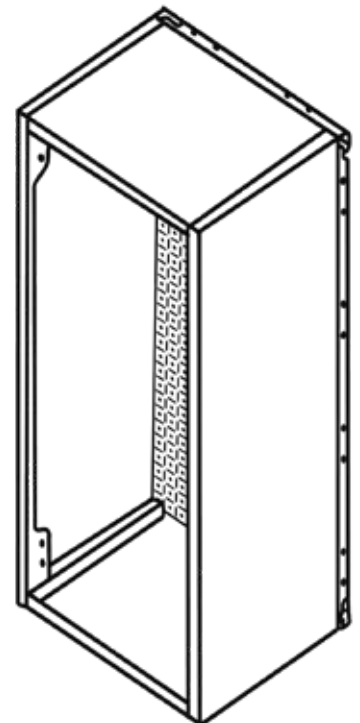


Note: Use a small flat head screwdriver to get started.



OmniClips X4 back corners

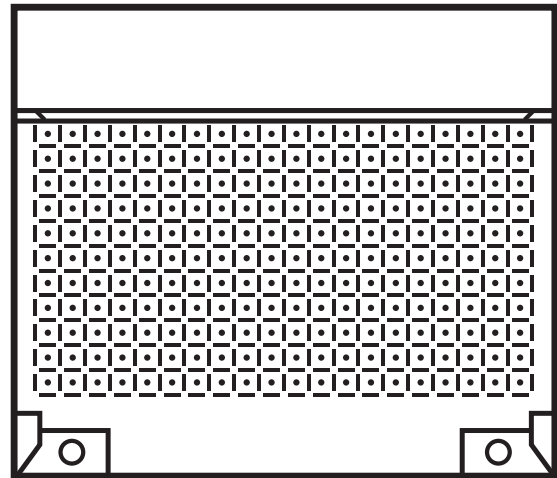
Note: Use a rubber mallet for easier installation.



Step 5: Install Hinges in Door

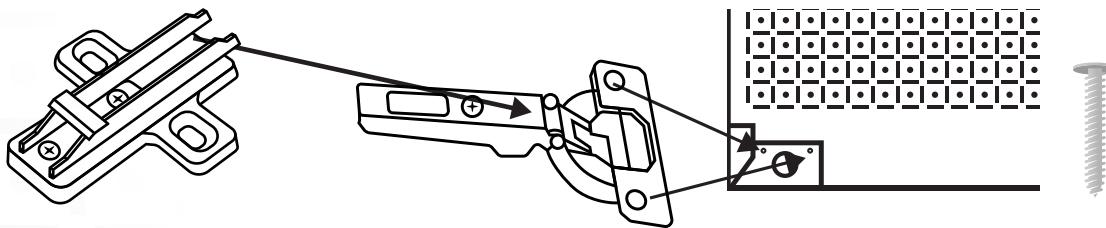
Locate and install X2 hinges using X46-32 flat head screws.

Notes: Our hinges come in 2 pieces. You can add the hinge bracket to the hinge before or after installation to the door. If you mount them separately, you can attach the door onto the cabinet bracket after installation.



Attach hinge bracket to hinge

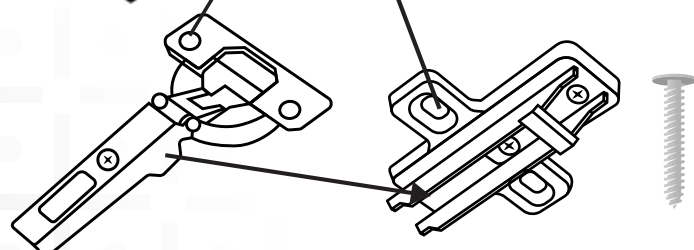
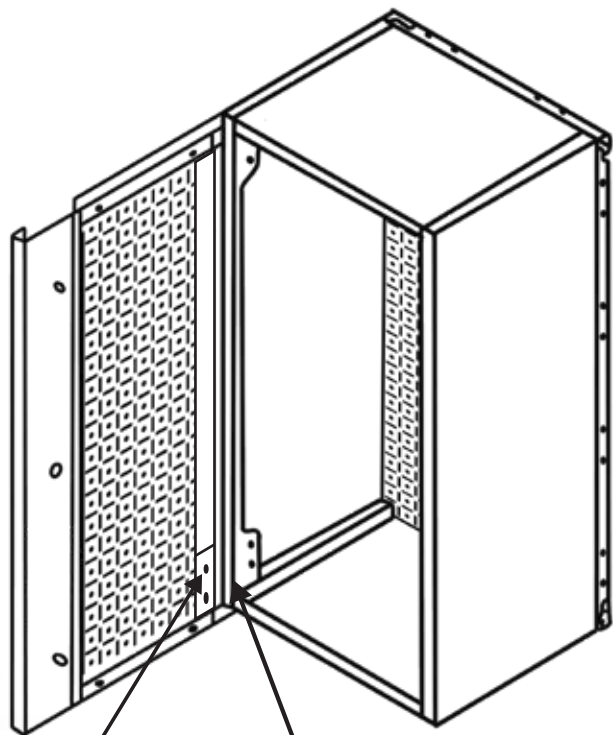
Use 2X 6-32 Flat head screws per hinge



Step 6: Install Door to Cabinet

Install Door & X2 hinges using X46-32 flat head screws.

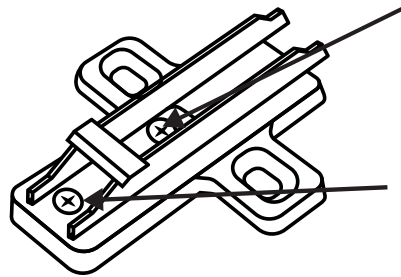
Notes: Our hinges come in 2 pieces. You can add the hinge bracket to the hinge before or after installation to the door. If you mount them separately, you can attach the door onto the cabinet bracket after installation.



Step 7: Adjust Cabinet Doors

Hinges are 4 way adjustable

Notes: Hinges can be adjusted left to right, in and out, up and down, and each hinge has independent damper adjustment. Heavier doors require more damper for the soft close to function properly. Only adjust hinges after installation is complete.



Use this screw to adjust doors up and down.

Notes: Adjust both hinges evenly when adjusting this screw. Not doing so could leave hinges in a bind.

Use this screw to adjust doors away from cabinet or closer to cabinet.

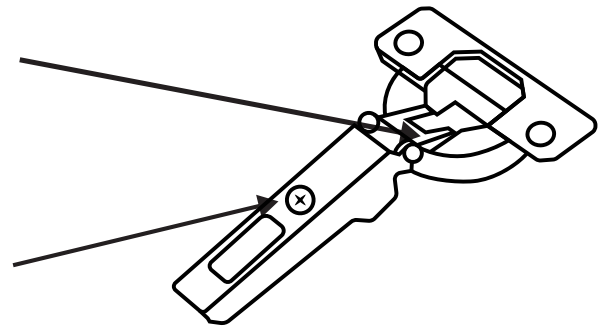
Notes: Ensure door is evenly spaced away from cabinet face. All doors should be 1/8" (0.125) from cabinet face when locked.

Use this screw to adjust the doors left to right.

Note: Adjust independently to align cabinets with edge of cabinet (16" wide) or double doors (32" wide)

This is the damper adjustment. + for more and - for less.

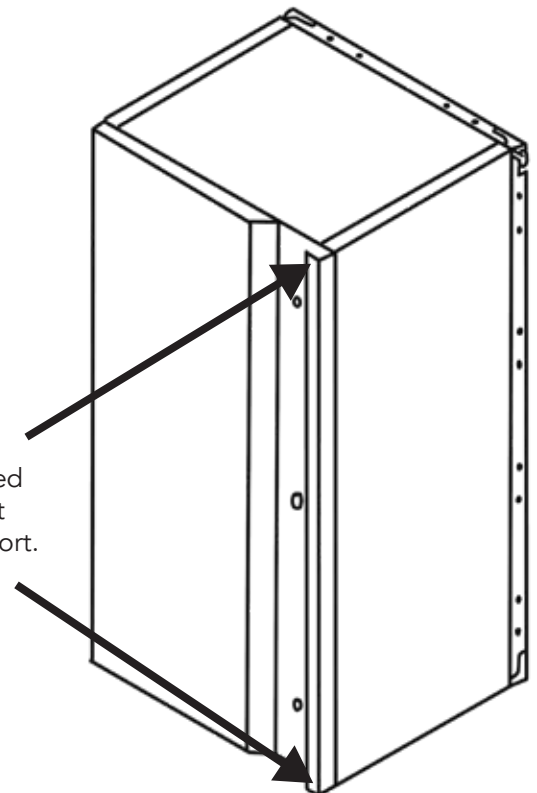
Notes: This will need to be adjusted as the doors get heavier, with more accessories mounted. The hinges can be adjusted independently from each other to find the exact setting.



Step 8: Final Adjustment (if needed)

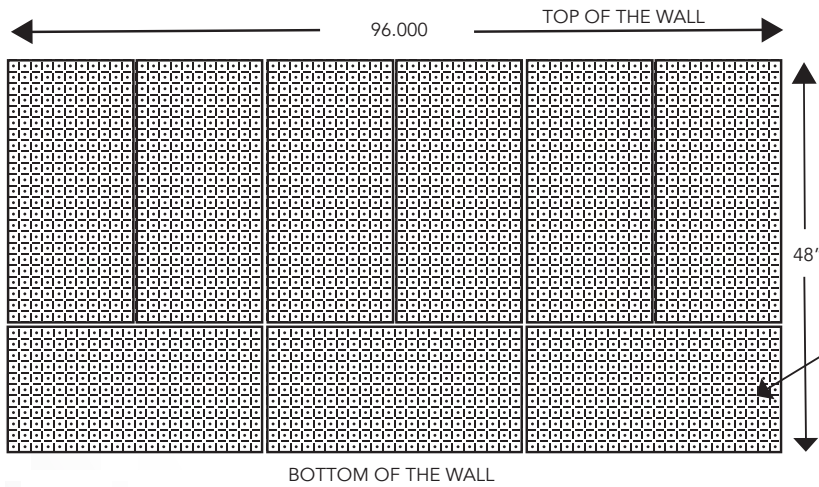
Notes: If the door does not close completely at the top or bottom of the cabinet, hold the door open at the other end. Sometimes the stiffener installation, or shipping will cause the door to be slightly out of square. This process straightens the door for perfect closure.

Hold closed at the top and slightly pull open at the bottom. Or hold closed at the bottom and slightly pull open at the top. This should not take much effort. Do not pull either end open more than 1/4" (0.250")

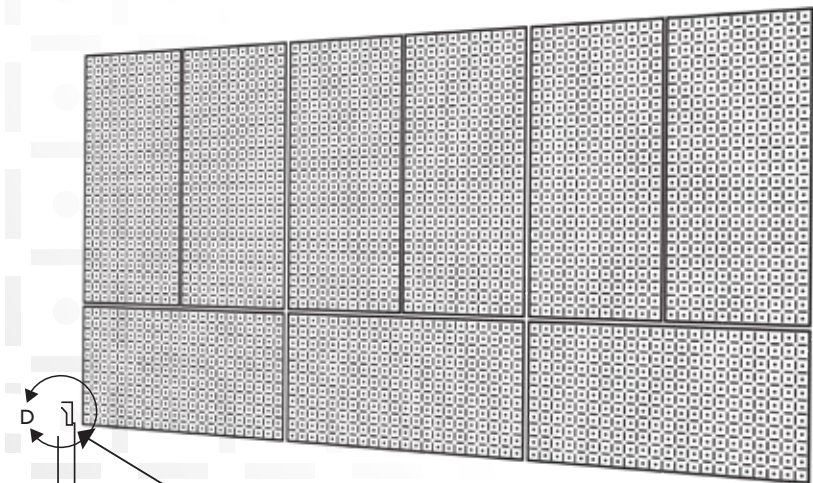


ITEM NO.	PART NUMBER	CUSTOMER PART NO.	DESCRIPTION	MATERIAL	QTY.
1	CGS-002-01-XXX	CGS-002-01-XXX	16"x32" OmniPanel	Galvanealed Steel	9
2	CGS-003-01-01-XXX	CGS-003-01-01-XXX	32" Top Wall Cleat	Galvanealed Steel	6
3	CGS-003-07-01-XXX	CGS-003-07-01-XXX	Bottom Wall Cleat 32"	Galvanealed Steel	3

REVISION HISTORY			
Rev.	Description	Date	ENGINEER
A.00	Initial Release	01/26/2020	DEA



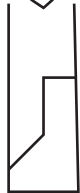
Place your 3 horizontal panels at the bottom of your weekend warrior XL. This gives extra strength to the top shelf when assembled.



TOP CLEAT MOUNTED HORIZONTALLY

TOP CLEAT MOUNTED HORIZONTALLY

BOTTOM CLEAT MOUNTED HORIZONTALLY



DETAIL C SCALE 1:4

DETAIL C SCALE 1:4

DETAIL C SCALE 1:4



Status	Production		Material	Assembly
Used In	Unless otherwise specified, dimensions are in inches tolerances: Fractional ± 1/16 Angular Bend ± 1°* 2 PL Decimal ± 0.060 3 PL Decimal ± 0.030		Finish	None
			Powder Coat	None
			Customer	OmniWall
			Project	OmniWall
			Description	Weekend Warrior XL
			Size	B
			Customer Part#	Weekend Warrior XL
			Noble Part#	Weekend Warrior XL
			Scale	1:12
			Weight (lb)	71.89
				Sheet 1 of 1
The information contained in this drawing & the sole property of Noble Industries and prohibited.		Created	DEA	01/28/20
		Modified	DEA	01/28/20
		Eng Appr	DEA	09/01/20
		Q.A.		
				Rev A.00
				Rev A.00