

OR

DENOTES TERMINAL BLOCK

SUPER SYSTEMS INC.
(800) 666-4330
www.supersystems.com

1 - 24VDC (COM)	22 - SLAVE 2 RS485 (+)
2 - 24VDC (+)	23 - SLAVE 2 RS485 (-)
3 - RS485 RT (-)	24 - 4-20mA OUT 1 (-)
4 - RS485 RT (+)	25 - 4-20mA OUT 1 (+)
5 - SLAVE 1 RS485 (+)	26 - 4-20mA OUT 2 (-)
6 - SLAVE 1 RS485 (-)	27 - ANALOG IN 3 (+)
7 - RELAY COMMON	17 - DIGITAL IN 1
8 - RELAY OUT 1	18 - ANALOG IN 3 (-)
9 - RELAY OUT 2	19 - DIGITAL IN 2
10 - RELAY OUT 3	20 - ANALOG IN 2 (+)
11 - RELAY OUT 4	21 - DIGITAL IN 4
	31 - ANALOG IN 1 (-)
	32 - ANALOG IN 1 (+)

SERIES 9220 PINDOUT LABEL

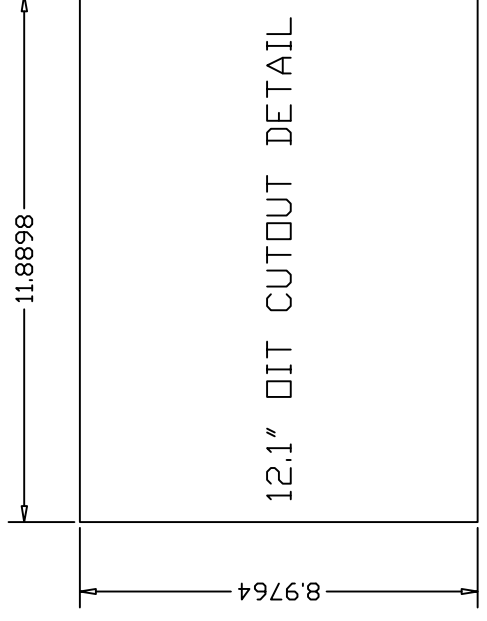
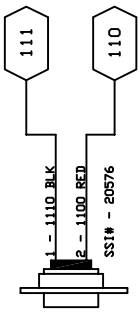
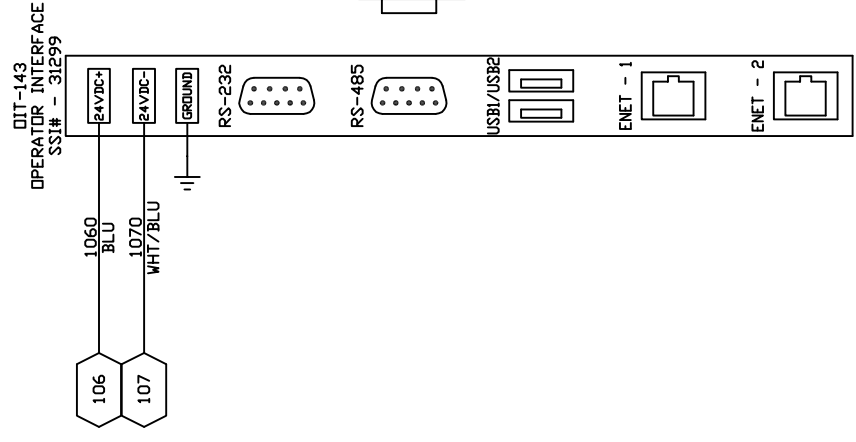
COMMS TO DPVT-123 (RS-485)

139 1002 WHT

139 1001 RED

1002 WHT

OPERATOR INTERFACE
SS1# - 31299



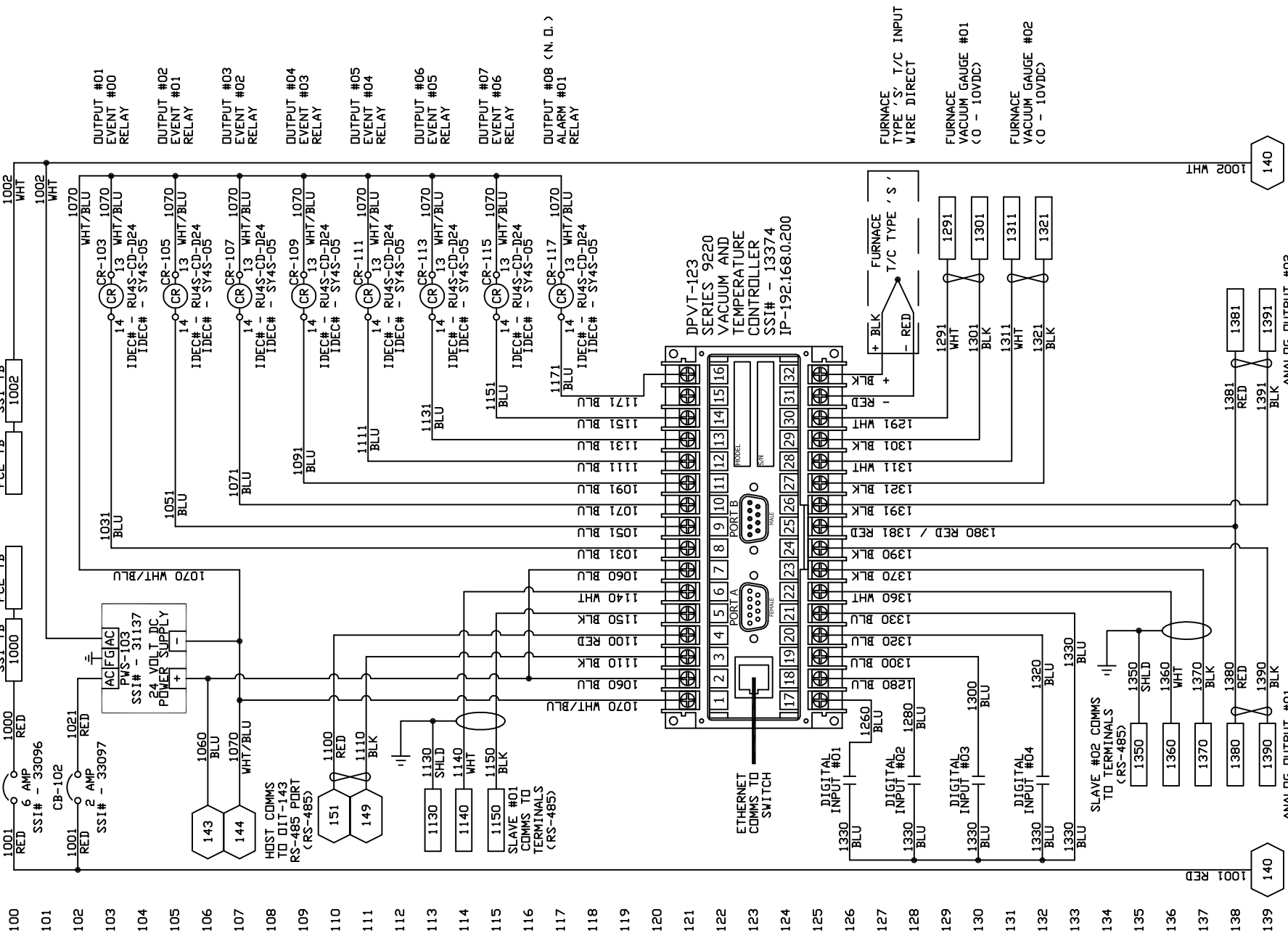
12.1" OIT CUTOUT DETAIL

REFERENCE DRAWING(S)
THIS DRAWING IS FURNISHED AS A GUIDELINE ONLY. FINAL INSTALLATION DIAGRAMS ARE THE RESPONSIBILITY OF OTHERS.
CONFIDENTIAL

A	ECD - 00412	GDG	24 MAR 2017	DATE	APPROVED
REV.	DESCRIPTION	DRAWN	DATE	DATE	APPROVED
SERIES 9220 VACUUM AND TEMPERATURE CONTROL SYSTEM - RS-485 COMMUNICATIONS TO 12.1" OIT BASIC WIRING DIAGRAM					
APPROVALS	DATE	DWG. NO.	19531	REV.	A
DRAWN	GDG	03 MAR 2014	DATE	CHKD	VELETRONICS\13531\
ISSUED	DATE	ISSUED	SCALE	1:1	SHEET 01 OF 02

UNLESS OTHERWISE SPECIFIED DIMENSIONS ARE IN INCHES. FRACTIONS DECIMALS ANGLES X.XX=0.00 X.XXX=0.010 X.XXX=0.001

SSI
CINCINNATI, OHIO



- 140
- 141
- 142
- 143
- 144
- 145
- 146
- 147
- 148
- 149
- 150
- 151
- 152
- 153
- 154
- 155
- 156
- 157
- 158
- 159
- 160
- 161
- 162
- 163
- 164
- 165
- 166
- 167
- 168
- 169
- 170
- 171
- 172
- 173
- 174
- 175
- 176
- 177
- 178
- 179