

OR

DENOTES TERMINAL BLOCK

SUPER SYSTEMS INC.

(800) 666-4330
www.supersystems.com

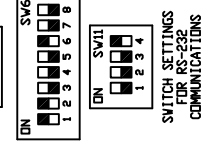
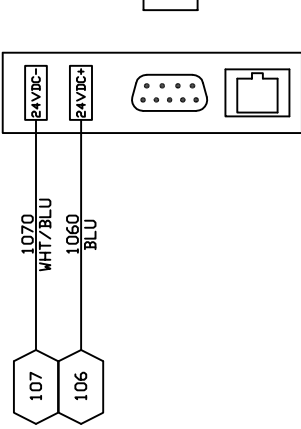
- 1 - 24VDC (COM)
- 2 - 24VDC (+)
- 3 - RS485 RT (-)
- 4 - RS485 RT (+)
- 5 - SLAVE 1 RS485 (+)
- 6 - SLAVE 1 RS485 (-)
- 7 - RELAY COMMON
- 8 - RELAY OUT 1
- 9 - RELAY OUT 2
- 10 - RELAY OUT 3
- 11 - RELAY OUT 4
- 12 - RELAY OUT 5
- 13 - RELAY OUT 6
- 14 - RELAY OUT 7
- 15 - RELAY OUT 8 NC
- 16 - RELAY OUT 8 NO
- 17 - DIGITAL IN 1
- 18 - ANALOG IN 3 (+)
- 19 - ANALOG IN 3 (-)
- 20 - DIGITAL IN 4
- 21 - DIGITAL IN COM
- 22 - SLAVE 2 RS485 (+)
- 23 - SLAVE 2 RS485 (-)
- 24 - 4-20mA OUT 1 (+)
- 25 - 4-20mA OUT 2 (+)
- 26 - 4-20mA OUT 2 (-)
- 27 - ANALOG IN 2 (+)
- 28 - ANALOG IN 2 (-)
- 29 - ANALOG IN 1 (+)
- 30 - ANALOG IN 1 (-)
- 31 - ANALOG IN 1 (+)
- 32 - ANALOG IN 1 (-)

SERIES 9130 PINDOUT LABEL

COMMS TO DPVT-123 PORT 'A' (RS-232)

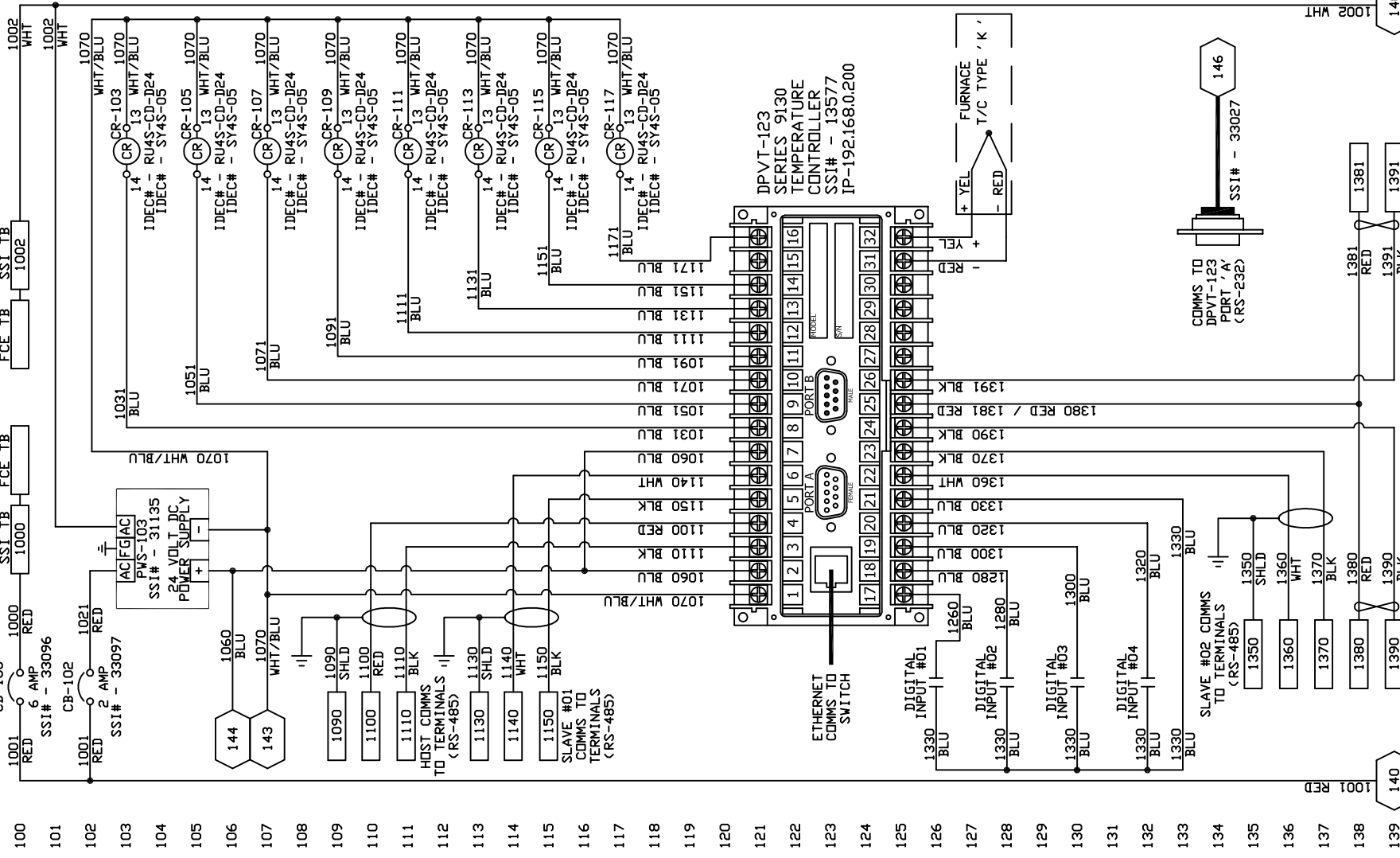
139 WH1 1002 WH1

OPERATOR INTERFACE
SS1# - 31296



139 RED 1001 RED

- 140
- 141
- 142
- 143 OUTPUT #01 TEMPERATURE CONTROL HEAT RELAY (OPTIONAL)
- 144
- 145 OUTPUT #02 TEMPERATURE CONTROL COOL RELAY (OPTIONAL)
- 146
- 147 OUTPUT #03 EVENT #00 RELAY
- 148
- 149 OUTPUT #04 EVENT #01 RELAY
- 150
- 151 OUTPUT #05 EVENT #02 RELAY
- 152
- 153 OUTPUT #06 EVENT #03 RELAY
- 154
- 155 OUTPUT #07 ALARM #01 RELAY
- 156
- 157 OUTPUT #08 (N.D.) ALARM #02 RELAY
- 158
- 159
- 160
- 161
- 162
- 163
- 164
- 165
- 166
- 167 FURNACE TYPE 'K' T/C INPUT WIRE DIRECT
- 168
- 169
- 170
- 171
- 172
- 173
- 174
- 175
- 176
- 177
- 178
- 179



REFERENCE DRAWING(S)
THIS DRAWING IS FURNISHED AS A GUIDELINE ONLY. FINAL INSTALLATION DIAGRAMS ARE THE RESPONSIBILITY OF OTHERS.

CONFIDENTIAL

REV. A	DESCRIPTION	DATE	DWG. NO.	REV. A
00412		24 MAR 2017	13578	
SERIES 9130 TEMPERATURE CONTROL SYSTEM - RS-232 COMMUNICATIONS TO 3.5" DIT BASIC WIRING DIAGRAM				
ISSUED	DATE ISSUED	SCALE	SHEET 01 OF 02	
CHECKED	DATE CHKD	VELOCITIES	1:1	
ELECTRONICS\13578				

UNLESS OTHERWISE SPECIFIED DIMENSIONS ARE IN INCHES. DIMENSIONS ARE IN INCHES. ANGLES TOLERANCES ARE: X.XX=±0.100 ±0.5° X.XX=±0.010 ±1/64" X.XXX=±0.001 SPECIFICATIONS HEREIN IS STRICTLY PROHIBITED.

SSI
CINCINNATI, OHIO