

OR

DENOTES TERMINAL BLOCK

SUPER SYSTEMS INC.  
(800) 666-4330  
www.supersystems.com

1 - 24VDC (COM)	12 - RELAY OUT 5	22 - SLAVE 2 RS485 (+)
2 - 24VDC (+)	13 - RELAY OUT 6	23 - SLAVE 2 RS485 (-)
3 - RS485 RT (-)	14 - RELAY OUT 7	24 - 4-20mA OUT 1 (-)
4 - RS485 RT (+)	15 - RELAY OUT 8 NC	25 - 4-20mA OUT COM (+)
5 - SLAVE 1 RS485 (+)	16 - RELAY OUT 8 NO	26 - 4-20mA OUT 2 (+)
6 - SLAVE 1 RS485 (-)	17 - DIGITAL IN 1	27 - ANALOG IN 3 (+)
7 - RELAY COMMON	18 - DIGITAL IN 2	28 - ANALOG IN 3 (-)
8 - RELAY OUT 1	19 - DIGITAL IN 3	29 - ANALOG IN 2 (+)
9 - RELAY OUT 2	20 - DIGITAL IN 4	30 - ANALOG IN 2 (-)
10 - RELAY OUT 3	21 - DIGITAL IN COM	31 - ANALOG IN 1 (+)
11 - RELAY OUT 4		32 - ANALOG IN 1 (-)

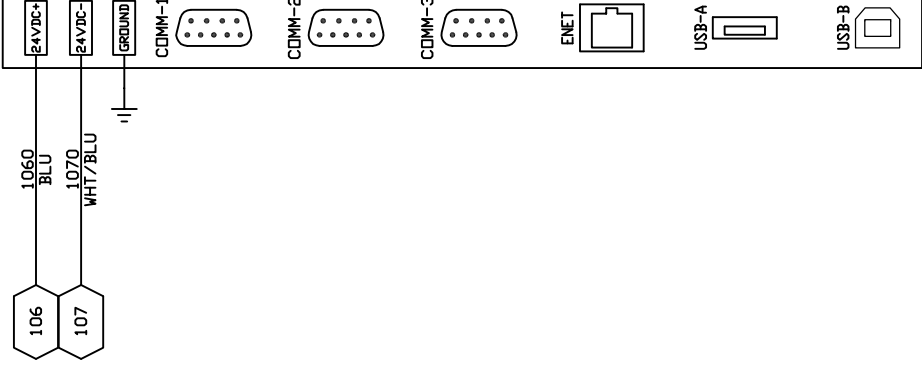
SERIES 9130 PINDOUT LABEL

COMMS TO DPVT-123 PORT 'A' (RS-232)

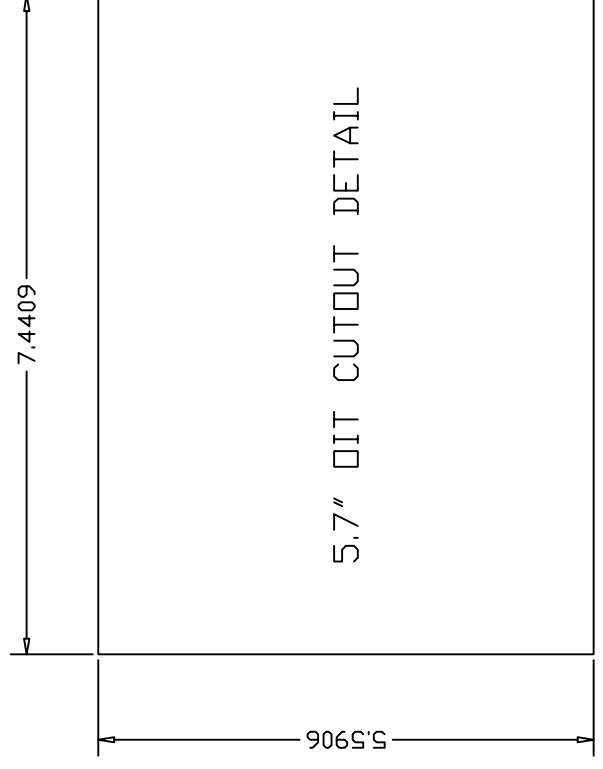
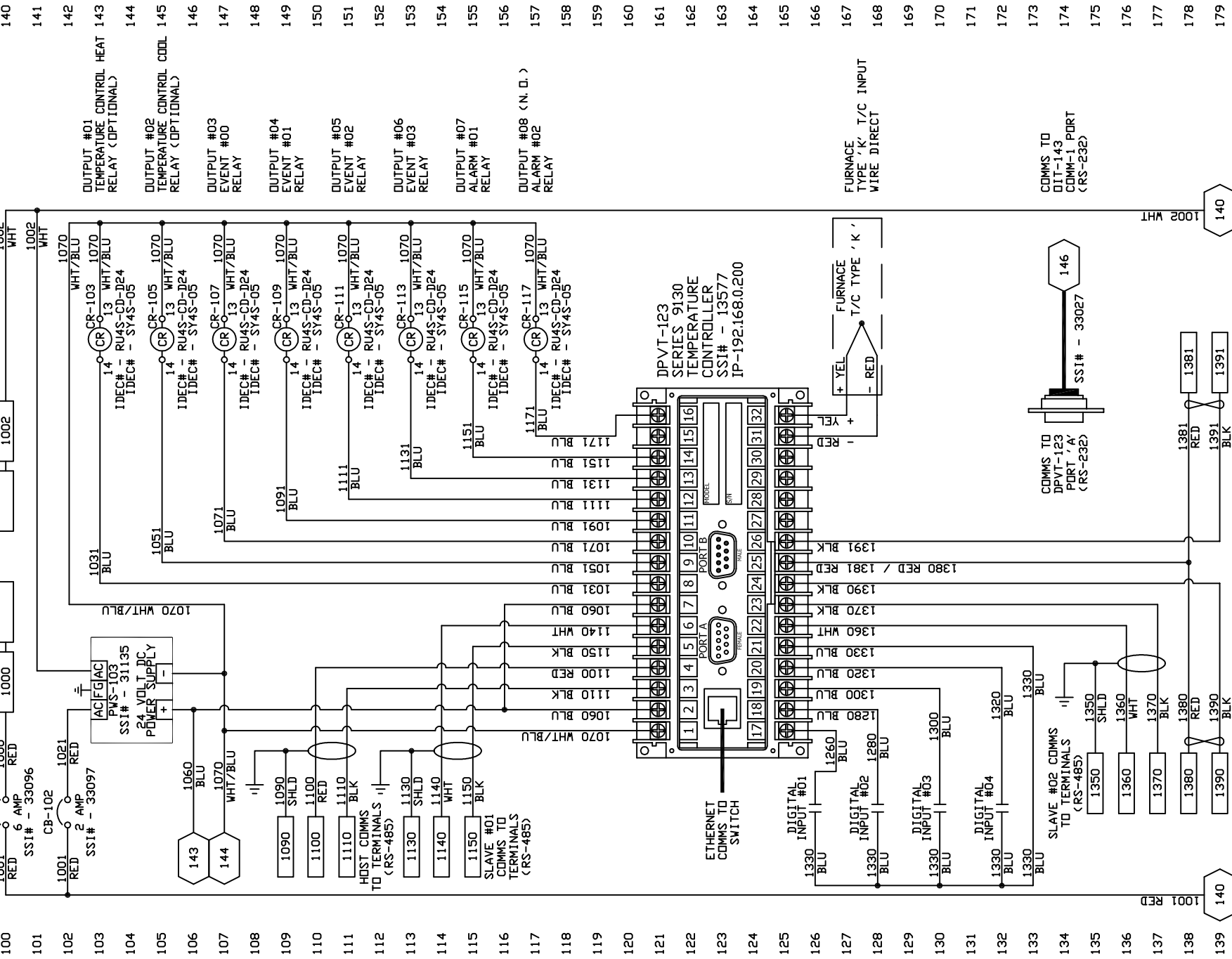
139  
1002 WHT



OPERATOR INTERFACE  
SSI# - 31297



139  
1001 RED



5.7" DIT CUTOFF DETAIL

REFERENCE DRAWING(S)

THIS DRAWING IS FURNISHED AS A GUIDELINE ONLY. FINAL INSTALLATION DIAGRAMS ARE THE RESPONSIBILITY OF OTHERS.

CONFIDENTIAL

A	ECD - 00412	GDG	24 MAR 2017	DATE	APPROVED
REV.	DESCRIPTION	DRAWN	DATE	DATE	APPROVED
SERIES 9130 TEMPERATURE CONTROL SYSTEM - RS-232 COMMUNICATIONS TO 5.7" DIT BASIC WIRING DIAGRAM					
APPROVALS	DATE	DWG. NO.	13579	REV.	A
DRAWN	GDG	26 MAR 2014	DATE	CHKD	VELETRONICS\13579\
CHECKED	CHKD	DATE	ISSUED	SCALE	1:1
SHEET 01 OF 02					

UNLESS OTHERWISE SPECIFIED DIMENSIONS ARE IN INCHES. ANGLES DECIMALS ARE: X.XX=±0.100 ±0.5° X.XXX=±0.010 ±1/64" X.XXX=±0.001

THIS DRAWING AND THE INFORMATION HEREIN IS OWNED BY SUPER SYSTEMS, INC. (SSI). SSI RESERVES ALL RIGHTS INCLUDING TITLE, COPYRIGHT, PATENT RIGHTS AND THE RIGHT OF POSSESSION IN THE DRAWING AND ITS CONTENTS, EXCEPT AS AUTHORIZED BY SSI IN WRITING. ANY DISCLOSURE, REPRODUCTION, OR USE OF THIS DRAWING OR THE INFORMATION AND SPECIFICATIONS HEREIN IS STRICTLY PROHIBITED.



CINCINNATI, OHIO