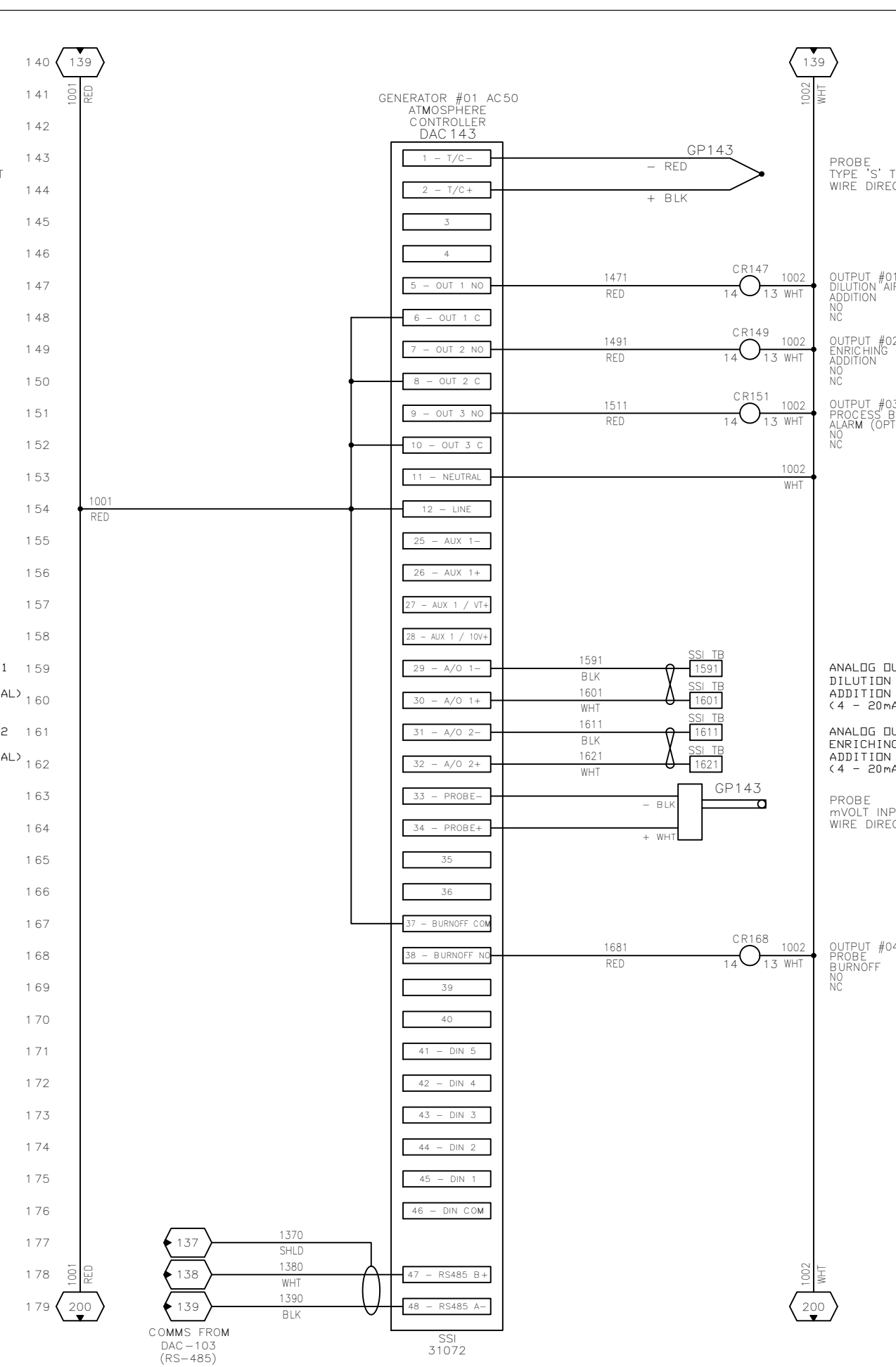
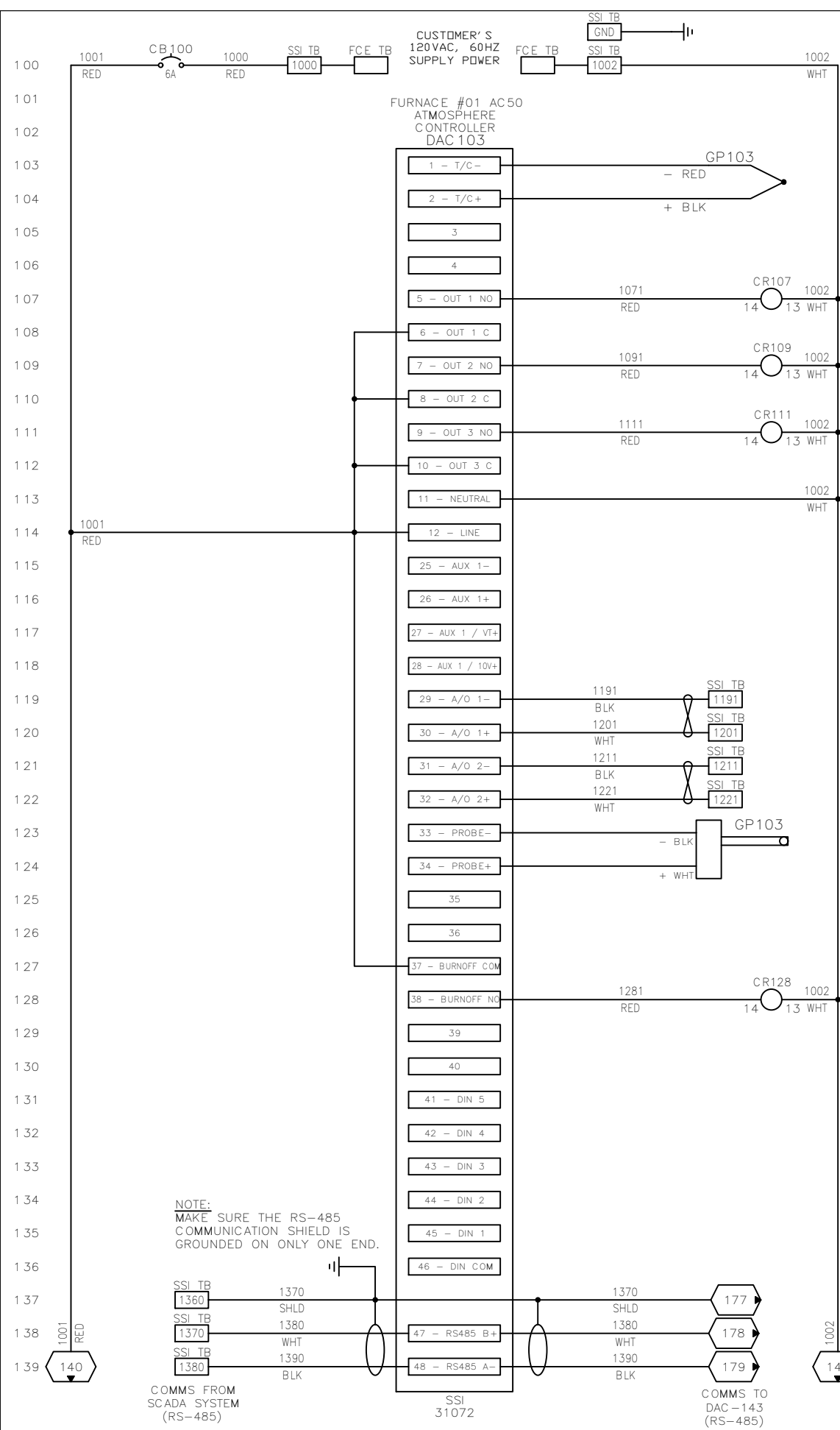


OR □  
DENOTES TERMINAL BLOCK



REFERENCE DRAWING(S)  
THIS DRAWING IS FURNISHED AS A GUIDELINE ONLY. FINAL INSTALLATION DIAGRAMS ARE THE RESPONSIBILITY OF OTHERS.  
**CONFIDENTIAL**

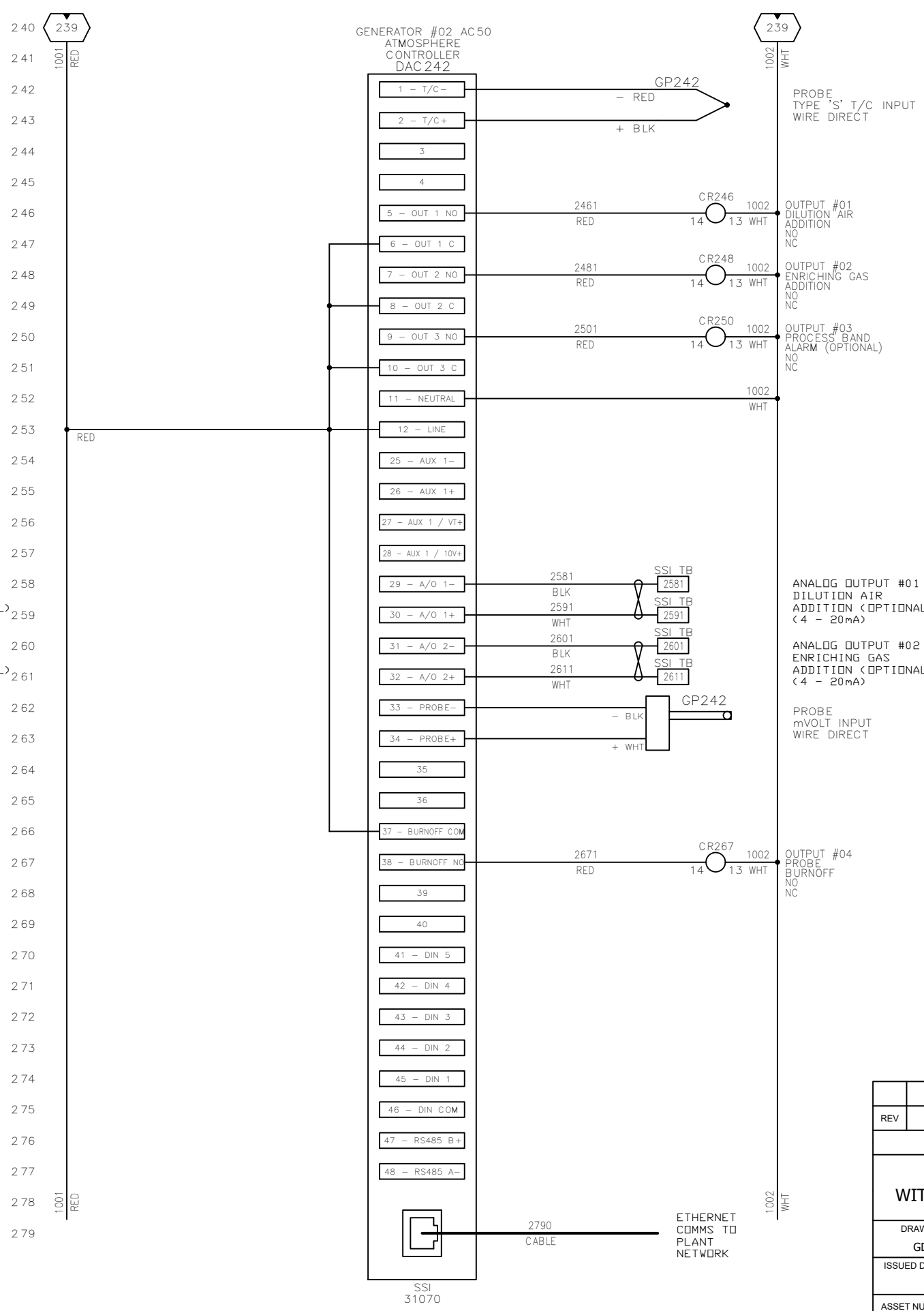
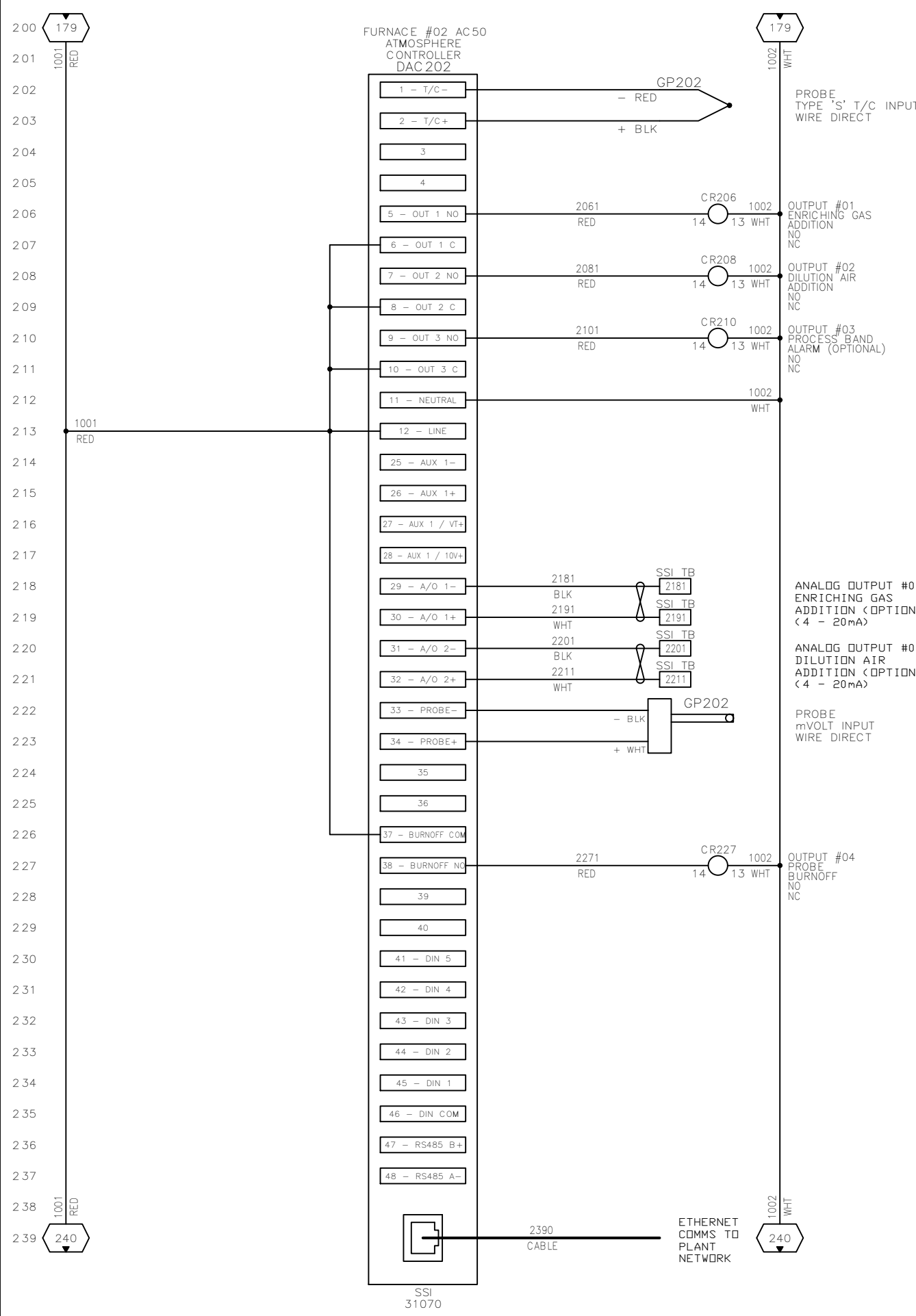
REV	DESCRIPTION	DATE	APPROVED
REVISIONS			
<b>SUPER SYSTEMS INC. AC50 ATMOSPHERE CONTROLLER WITH RS-485 OR ETHERNET COMMUNICATIONS BASIC WIRING DIAGRAM</b>			
DRAWN BY GDG	CHECKED BY -	DRAWN DATE 26 SEPT 2023	CHECKED DATE -
ISSUED DATE -	PROJECT # AC50		REV -
ASSET NUMBER: NONE	SCALE 1:1	SHEET 1 OF 2	

UNLESS OTHERWISE SPECIFIED DIMENSIONS ARE IN INCHES  
TOLERANCES ARE:  
FRACTIONS DECIMALS ANGLES  
±1/64" X.X=±0.100 ±0.5°  
X.XX=±0.010  
X.XXX=±0.001

NOTICE: THIS DRAWING AND THE INFORMATION HEREIN IS OWNED BY SUPER SYSTEMS, INC. (SSI). SSI RESERVES ALL RIGHTS INCLUDING TITLE, COPYRIGHT, PATENT RIGHTS AND THE RIGHT OF POSSESSION IN THE DRAWING AND ITS CONTENTS, EXCEPT AS AUTHORIZED BY SSI IN WRITING. ANY DISCLOSURE, REPRODUCTION, OR USE OF THIS DRAWING OR THE INFORMATION AND SPECIFICATIONS HEREIN IS STRICTLY PROHIBITED.

**SSI**  
CINCINNATI, OHIO

DENOTES TERMINAL BLOCK



REFERENCE DRAWING(S)

THIS DRAWING IS FURNISHED AS A GUIDELINE ONLY. FINAL INSTALLATION DIAGRAMS ARE THE RESPONSIBILITY OF OTHERS.

**CONFIDENTIAL**

REV	DESCRIPTION	DATE	APPROVED
REVISIONS			
<b>SUPER SYSTEMS INC.</b> <b>AC50 ATMOSPHERE CONTROLLER</b> <b>WITH RS-485 OR ETHERNET COMMUNICATIONS</b> <b>BASIC WIRING DIAGRAM</b>			
DRAWN BY	CHECKED BY	DRAWN DATE	CHECKED DATE
GDG	-	26 SEPT 2023	-
ISSUED DATE	PROJECT #	REV	
-	AC50	-	
ASSET NUMBER:	NONE	SCALE 1:1	SHEET 2 OF 2

UNLESS OTHERWISE SPECIFIED DIMENSIONS ARE IN INCHES

TOLERANCES ARE:

FRACTIONS	DECIMALS	ANGLES
±1/64"	X. X=±0.100	±0.5°
	X. XX=±0.010	
	X. XXX=±0.001	

NOTICE: THIS DRAWING AND THE INFORMATION HEREIN IS OWNED BY SUPER SYSTEMS, INC. ("SSI"). SSI RESERVES ALL RIGHTS INCLUDING TITLE, COPYRIGHT, PATENT RIGHTS AND THE RIGHT OF POSSESSION IN THE DRAWING AND ITS CONTENTS, EXCEPT AS AUTHORIZED BY SSI IN WRITING. ANY DISCLOSURE, REPRODUCTION, OR USE OF THIS DRAWING OR THE INFORMATION AND SPECIFICATIONS HEREIN IS STRICTLY PROHIBITED.

**SSI**  
CINCINNATI, OHIO