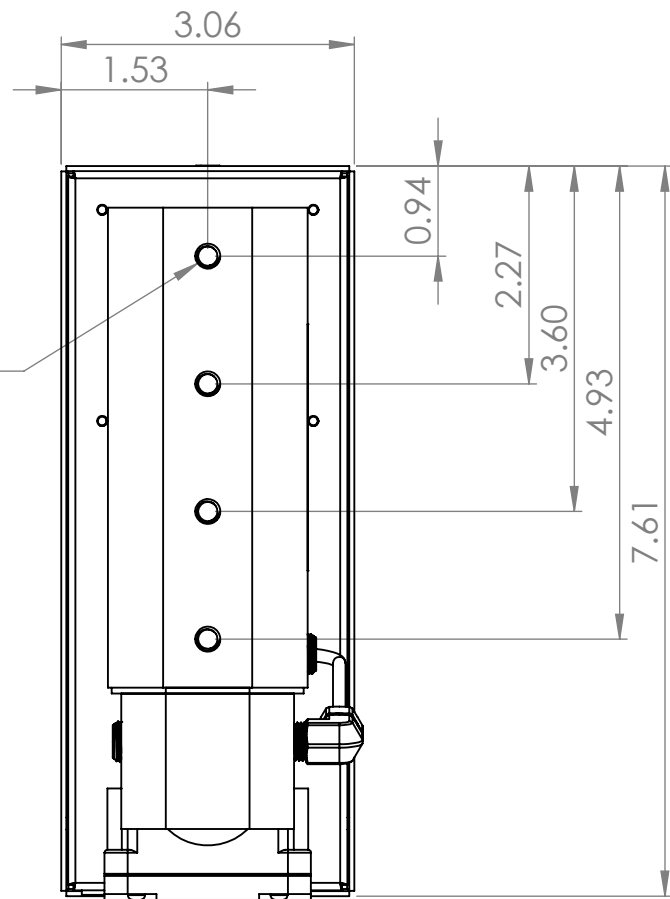
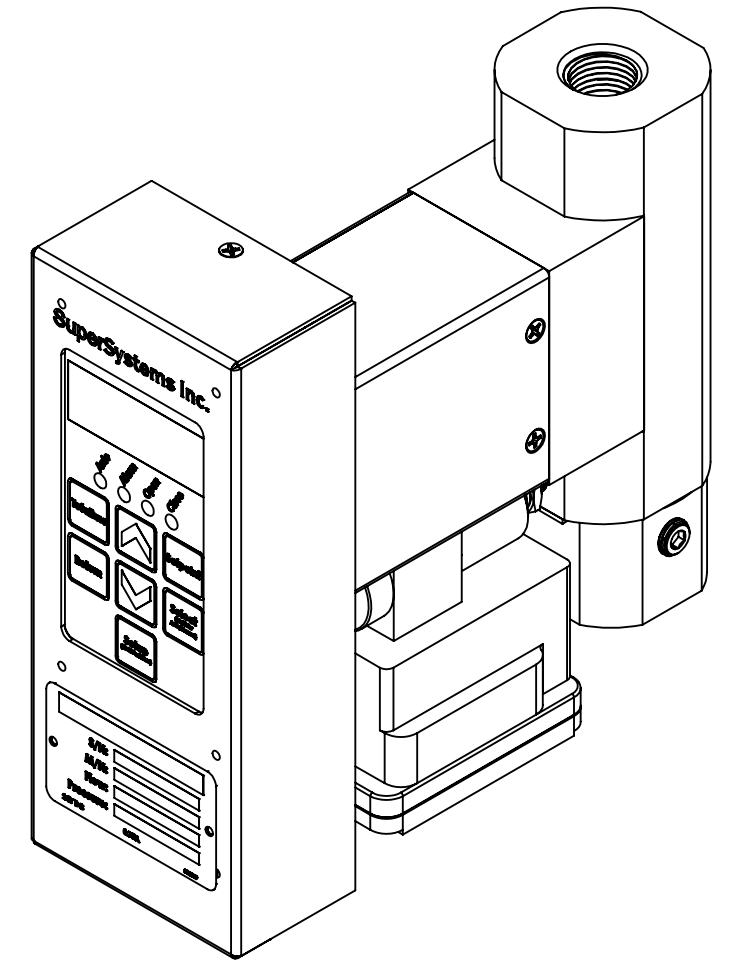
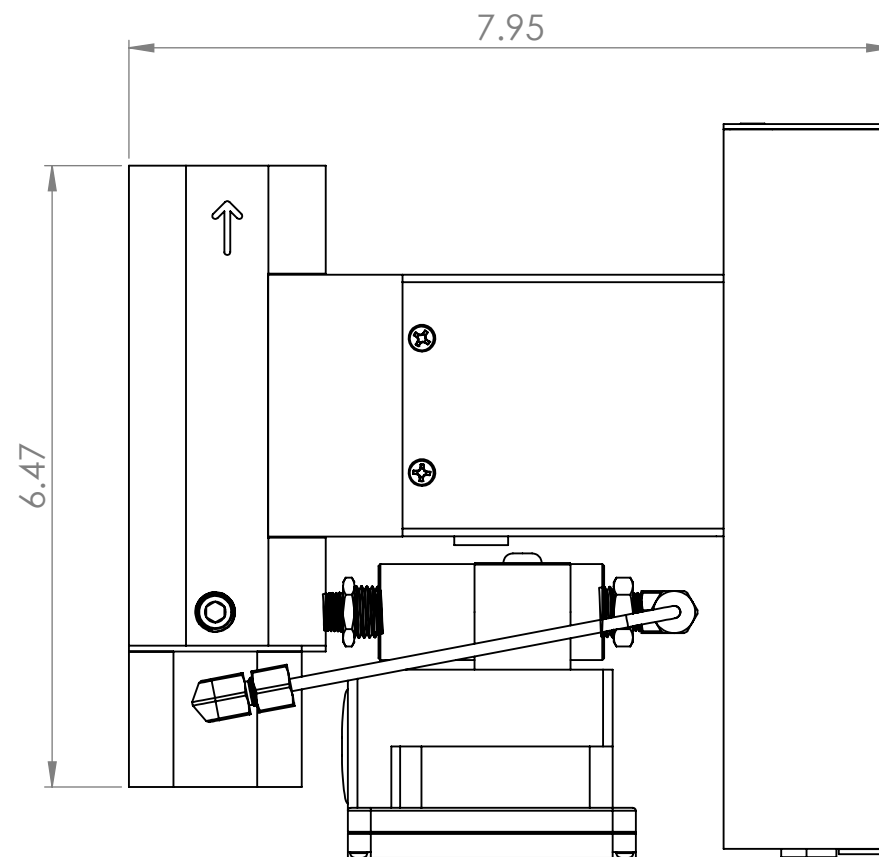


2X 1/2 NPT



4X 1/4-20 UNC



REV.	DESCRIPTION	DRAWN	DATE	APPROVED
EFLO 2.0 HIGH PRESSURE METER FOOTPRINT AND MOUNTING DIMENSIONS				
APPROVALS	DATE	PART NO.	142.KP.A.XXX	REV. -
DRAWN	JPE	10/7/2019	DIRECTORY:	
CHECKED			SCALE	1:2
ISSUED			SHEET NO. 1 of 1	

UNLESS OTHERWISE SPECIFIED
DIMENSIONS ARE IN INCHES
STANDARD TOLERANCES ARE:
FRACTIONS DECIMALS ANGLES
±1/64" X.X = ±0.010 ±0.50°
X.XX = ±0.005
X.XXX = ±0.001

NOTICE: THIS DRAWING AND THE INFORMATION HEREIN IS OWNED BY SUPER SYSTEMS, INC. ("SSI"). SSI RESERVES ALL RIGHTS INCLUDING TITLE, COPYRIGHT, PATENT RIGHTS AND THE RIGHT OF POSSESSION IN THE DRAWING AND ITS CONTENTS, EXCEPT AS AUTHORIZED BY SSI IN WRITING. ANY DISCLOSURE, REPRODUCTION, OR USE OF THIS DRAWING OR THE INFORMATION AND SPECIFICATIONS HEREIN IS STRICTLY PROHIBITED.

