

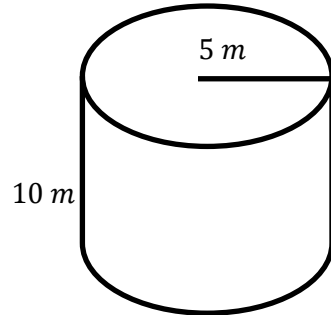


# Volume of a Cylinder

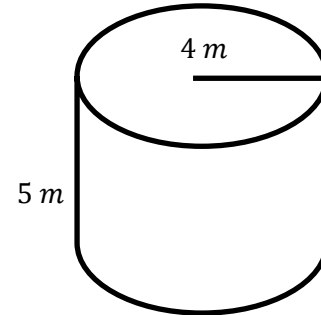


Find the volume of each cylinder.

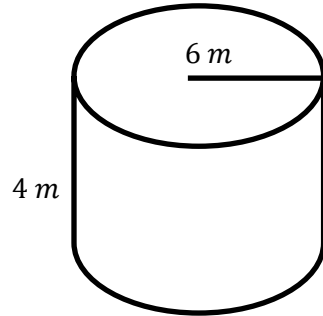
1)



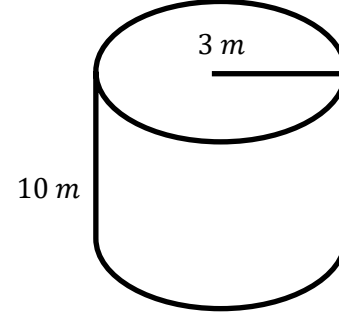
2)



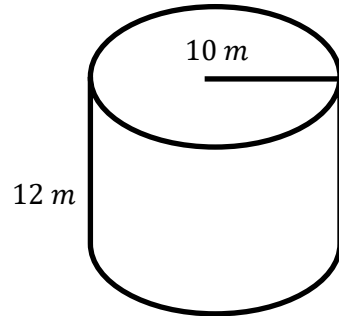
3)



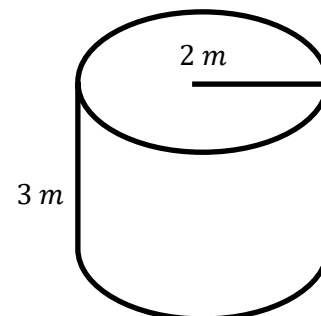
4)



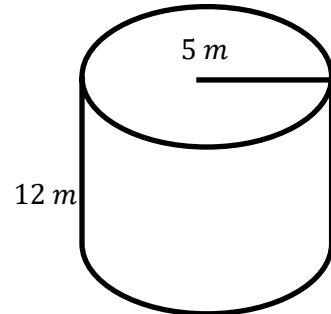
5)



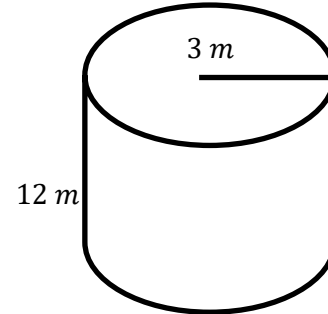
6)



7)



8)



QUIZ ?

So Much More Online! Please visit: [testinar.com](https://testinar.com)



MORE ?

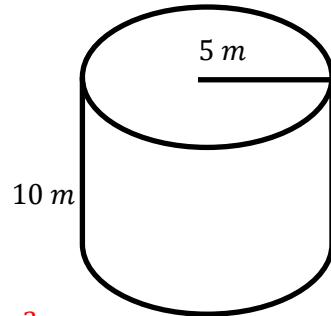


## Answers

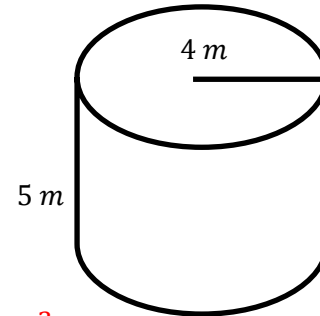


Find the volume of each cylinder.

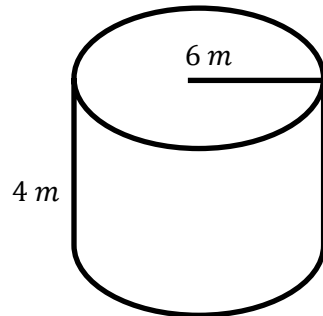
1)  $785 \text{ m}^3$



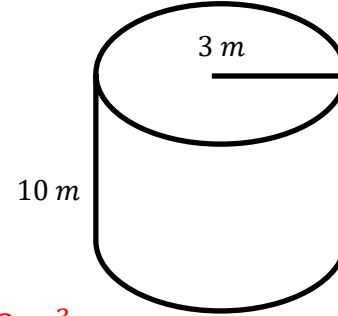
2)  $251.2 \text{ m}^3$



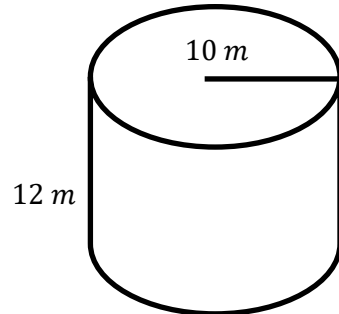
3)  $452.16 \text{ m}^3$



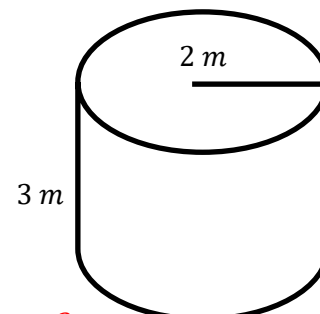
4)  $282.6 \text{ m}^3$



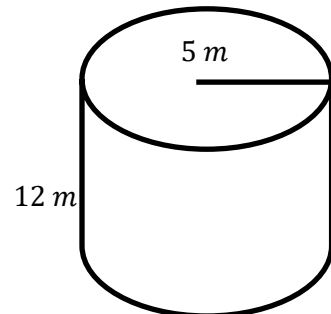
5)  $3768 \text{ m}^3$



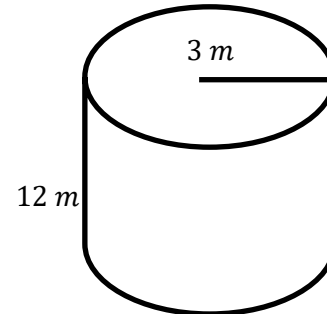
6)  $37.68 \text{ m}^3$



7)  $942 \text{ m}^3$



8)  $339.12 \text{ m}^3$



QUIZ ?

So Much More Online! Please visit: [testinar.com](http://testinar.com)

MORE ?



testinar.com/qr2