

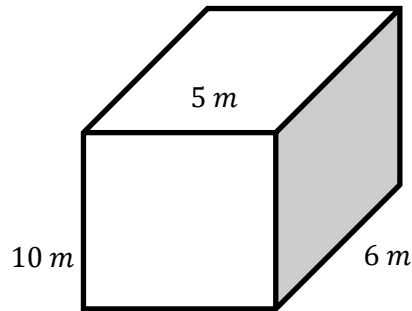


Volume of Rectangle Prisms

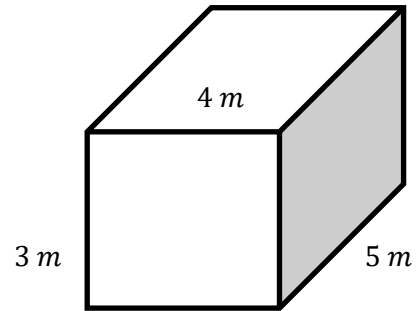


Find the volume of each rectangle prisms.

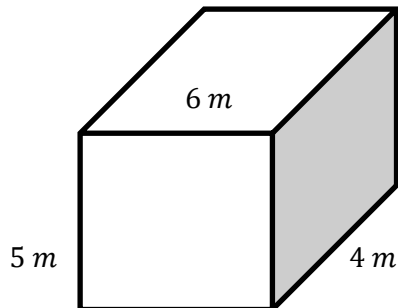
1)



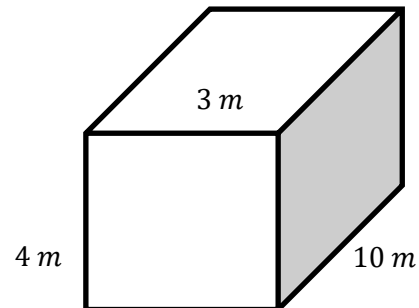
2)



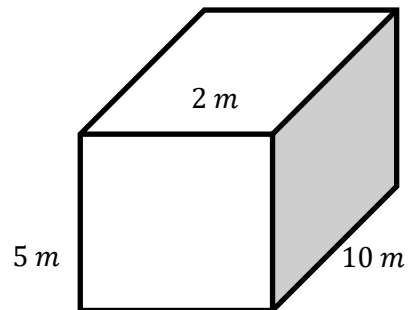
3)



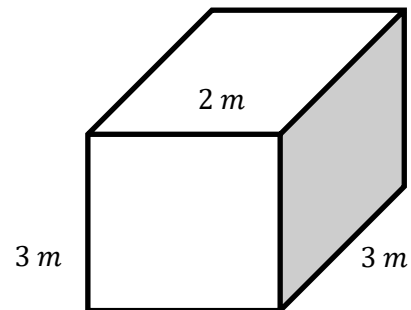
4)



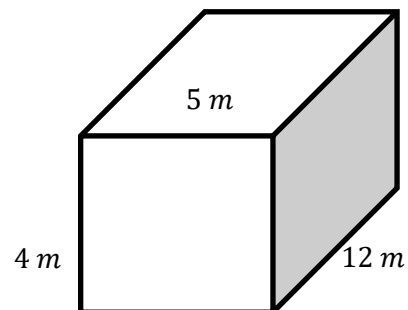
5)



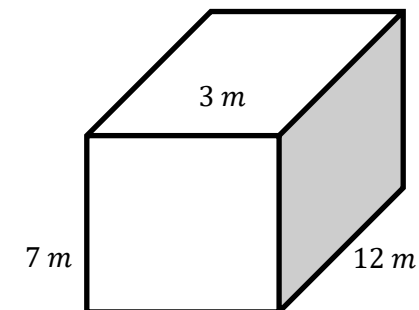
6)



7)



8)



QUIZ ?

So Much More Online! Please visit: testinar.com



MORE ?

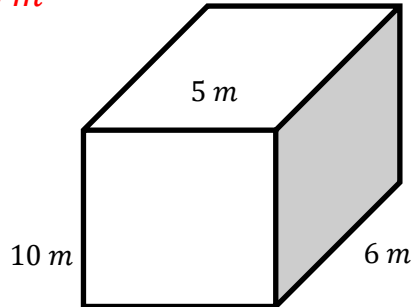


Answers

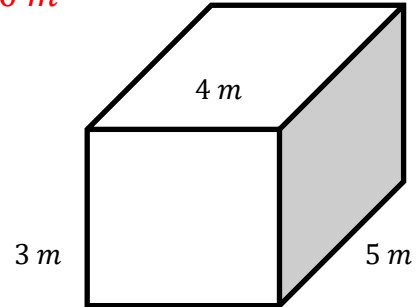


Find the volume of each rectangle prisms.

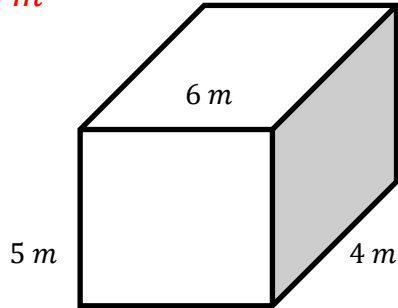
1) $300 m^3$



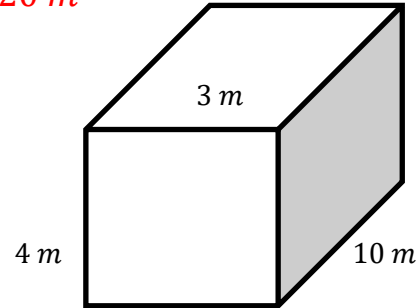
2) $60 m^3$



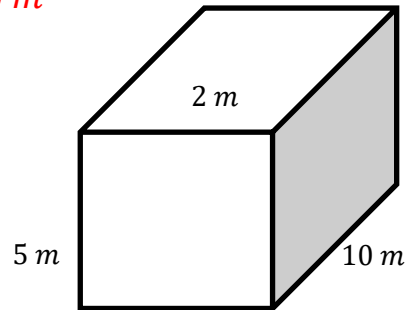
3) $120 m^3$



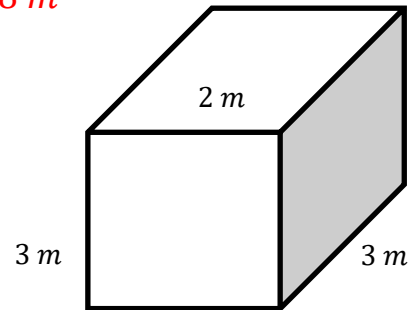
4) $120 m^3$



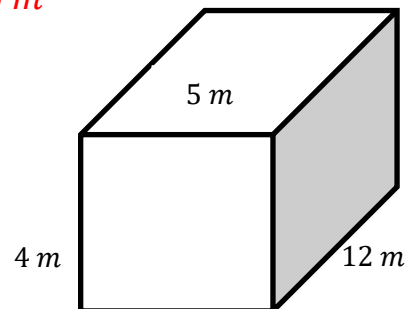
5) $100 m^3$



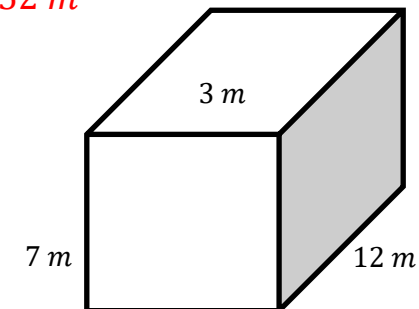
6) $18 m^3$



7) $240 m^3$



8) $252 m^3$



QUIZ ?

So Much More Online! Please visit: testinar.com

MORE ?



testinar.com/qr21