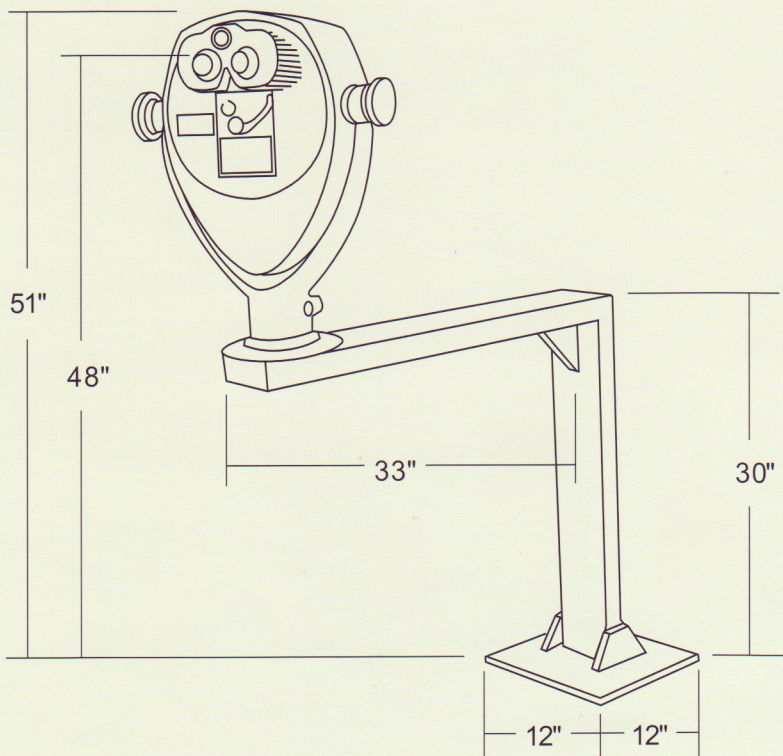




As soon as the Americans with Disabilities Act (ADA) was passed in 1990, Tower Optical created a special base that offers access to our viewers by the physically challenged. Designed with input from the Eastern Association of Paralyzed Veterans, the base is constructed of tubular steel and weighs 90#.



The Tower Optical Co., Inc.

275 East Avenue, P. O. Box 251
 Norwalk, CT 06855
 Phone: 203.866.4535
 Fax: 203.866.2467
 Web: TowerOpticalCo.com
 Email: info@TowerOpticalCo.com