



High Output Boiler Stoves

MODELS:

YEOMAN DEVON 50/COUNTY 60/COUNTY 80

Instructions for Use, Installation and Servicing

For use in GB & IE (Great Britain and Republic of Ireland).

This appliance has been certified for use in countries other than those stated. To install this appliance in these countries, it is essential to obtain the translated instructions and in some cases the appliance will require modification. Contact Stovax for further information.

IMPORTANT

This appliance will become hot whilst in operation, it is therefore recommended that a suitable guard should be used for the protection of young children, the elderly or infirm. Do not attempt to burn rubbish in this appliance.

**Please read these Instructions carefully before installation or use.
Keep them in a safe place for future reference and when servicing the fire.**

The commissioning sheet found on page 3 of these instructions should be completed by the Installer.

CONTENTS

COVERING THE FOLLOWING MODELS: YEOMAN DEVON/COUNTY 60/COUNTY 80

APPLIANCE COMMISSIONING CHECKLIST	3	COMMISSIONING	30
USER INSTRUCTIONS	4	MAINTENANCE & SERVICING	31
General Points	4	Annual Service	31
Heating Controls	5	Removal of Log Guard	32
Using the Appliance for the first time	6	Removal of Baffle	32
Condensation	6	Removal of Riddling grate	32
Recommended Fuels	6	Fitting a New Door Glass	32
Lighting the appliance	7	Fitting a New Door Seal	32
Running the appliance	7	Adjusting Door Hinges	33
Burning Tips	9	Adjusting Door Catch	33
Ash Removal	10		
Wood Burning Tray	10	BASIC SPARE PARTS LIST	34
Extended burning	11	SERVICE RECORDS	38
Over-Firing	11		
Chimney Fire	11		
General Cleaning	12		
Cleaning Glass	12		
Chimney Sweeping	12		
Care of Stove	12		
Seasonal Use	13		
Troubleshooting Tips	13		
INSTALLATION INSTRUCTIONS	14		
Technical Specifications	14		
Boiler output charts	15		
Standard Features	15		
Packing List	15		
Dimensions	16		
SITE REQUIREMENTS	17		
Flue & Chimney	17		
Flue outlet positions	18		
Hearth Dimensions	18		
Walls Next to Hearth	19		
PRE-INSTALLATION	20		
Flues	20		
Ventilation	21		
INSTALLATION	22		
Legal Requirements	22		
Installing the Appliance	22		
Top Flue Installation	22		
Rear Flue Installation	23		
Removal of Log Guard	24		
Fitting & Removal of Baffle	24		
Fitting & Removal of Multi-fuel grate	25		
Central Heating System	26		
Conventional pipe work system	27		
Heating system controls	29		
Link up system	29		

WARRANTY

Your Yeoman retailer provides you with a Two Year Warranty for your new stove. However, this specifically excludes naturally wearing parts or consumables such as glass, firebricks and rope seal and the use of non-authorized fuel such as petro-cookes. Furthermore, for the warranty to be valid, your stove must have been installed in accordance with the manufacturer's instructions and the second year's warranty is dependent on the appliance being serviced 12 months after installation by a HETAS or other similarly qualified engineer.

They also provide a Five Year Casting Warranty for the carcass of all cast iron stoves and the cast iron door of steel stoves. Again, this excludes naturally wearing cast parts such as grate, dampers, log retainers and baffles.

You can help your retailer to provide their warranties by returning the reply card or registering online at yeoman-stoves.co.uk.

APPLIANCE COMMISSIONING CHECKLIST

To assist us in any guarantee claim please complete the following information.
In the unlikely event of a problem, contact your installer or retailer for assistance:

Retailer appliance was purchased from

Name:

Address:

.....

Telephone number:

Essential Information - MUST be completed

Date installed:

Model Description:

Serial number:

Installation Engineer

Company name:

Address:

.....

Telephone number:

Commissioning Checks (to be completed and signed)

Is flue system correct for the appliance YES NO

Flue swept and soundness test complete YES NO

Smoke test completed on installed appliance YES NO

Spillage test completed YES NO

Use of appliance and operation of controls explained YES NO

Instruction book handed to customer YES NO

Hot water system commissioned YES NO

Signature:

Print name:

USER INSTRUCTIONS

1. GENERAL POINTS

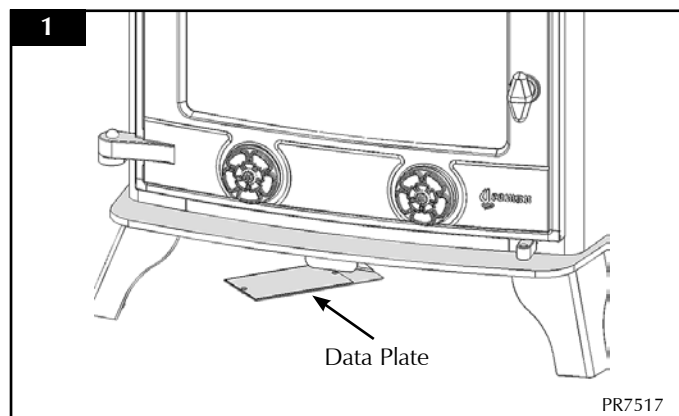
- 1.1 **Before use of this appliance please read these instructions fully.**
- The appliance must be fitted by a registered installer* or approved by your local building control officer.**
- 1.2 **All local regulations, including those referring to national and European Standards need to be complied with when installing the appliance.**
- 1.3 Only use for domestic heating. To achieve the optimum performance from this appliance it must be installed and operated according to these instructions burning the fuels recommended.
- 1.4 You must burn only approved fuels. Do not use with liquid fuels or as an incinerator.
- 1.5 Appliance surfaces become very hot when in use. Use a suitable fireguard if young children, elderly or infirm persons are present. Stovax offer firescreens, sparkguards and hearthgate systems for protection‡. Your Yeoman retailer can advise you about these products.
- 1.6 Do not place photographs, TV's, paintings, porcelain or other combustible items on the wall or near the appliance. Exposure to hot temperatures will cause damage. Do not place furniture, or other items such as drying clothing, closer than 1m from the front of this appliance.
- 1.7 Extractor fans or cooker hoods must not be placed in the same room or space as this can cause appliance to emit fumes into the room.
- 1.8 Do not obstruct inside or outside ventilation required for the safe use of this appliance.
- 1.9 Do not make unauthorised changes to the appliance.
- 1.10 The chimney must be swept at least once a year (see Section 12).
- 1.11 **Do not connect, or share, the same flue or chimney system with another appliance.**
- 1.12 **Do not run the appliance without any water in the system.**

SERIAL NUMBER

- 1.13 This number is required when ordering spare parts or making warranty claims. It is found on the appliance data plate.

All models

For all models the data plate is found under the front of the stove ashlip (see Diagram 1).



THERMOSTAT

The stove is controlled by a thermostat which regulates the rate in which the fuel is burned and the amount of heat produced. A trial and error approach will establish settings to suit personal preference.

AIR CONTROLS

Several Yeoman appliances have air systems providing cleaner burning, and greater efficiency and control:

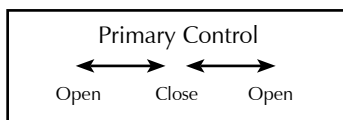
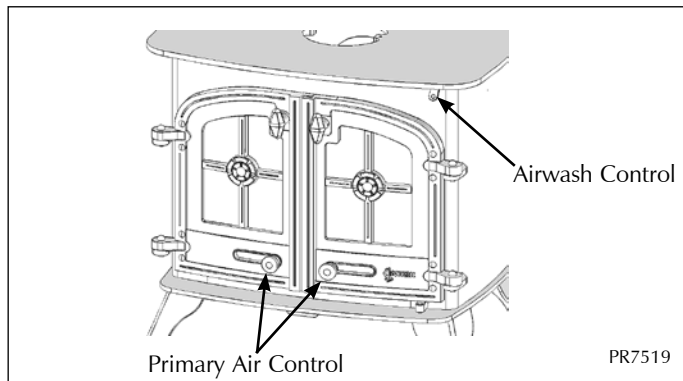
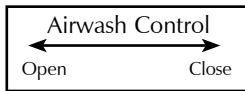
- 1) **Airwash** - air drawn over the window cleans the glass. The source of Primary Combustion air when burning wood.
- 2) **Primary Air** - for use with solid fuel and when lighting wood fires.

‡In the U.K. these products must conform to BS 6539, Fireguards for use with solid fuel appliances. If appliance is operating unattended they must conform to BS 3248
*Registered on the Competent Persons Scheme (GB only) see page 14 / INFO (Republic of Ireland).

USER INSTRUCTIONS

AIRWASH & PRIMARY AIR CONTROLS

1.14 Use a gloved hand to operate air controls.



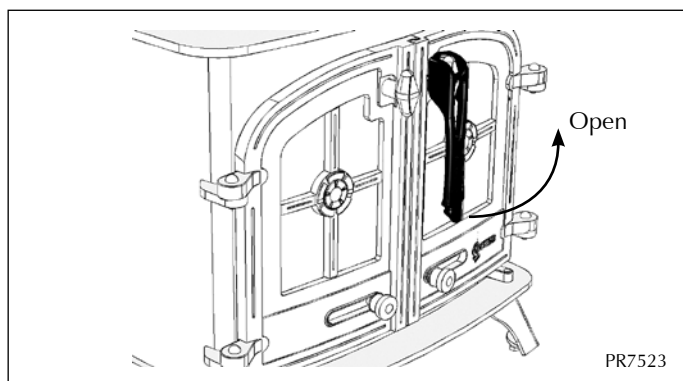
DOOR HANDLE

1.15 Use a protected gloved hand to operate.

DO NOT OPEN THE DOOR WITH BARE HANDS

To Open and Close

Drop door tool over knob to fit.
Rotate 1/2 turn anti-clockwise to open.
Rotate 1/2 turn clockwise to close.
Lift up door tool to remove



1.16 **Never open the door with your bare hands.**

1.17 Closing the door is the reverse of the previous.

HEATING SYSTEM CONTROLS

CONTROLS, GENERAL

1.18 The controls fitted to the system will provide two functions:

- To control the comfort level in the house.
- To maintain safety in the event of misuse or mechanical failure.

COMFORT CONTROLS

1.19 A programmable timer switches the pump on when heat is required and off when it is not.

The timer, when combined with a room thermostat and / or thermostatic radiator valves, enhances the comfort levels in the house.

Some room thermostats combine the function with the timer and can be programmed to reduce the room temperature rather than turning the system off. This is effective in not allowing rooms to become too cold and speeding up recovery time.

1.20 The hot water cylinder can also be fitted with a thermostatic valve which turns off the flow when the cylinder has reached the desired temperature, but the heat leak radiator will have to be bigger to cope with the extra load when the tank is isolated.

SAFETY CONTROLS

1.21 A high limit thermostat is fitted to the gravity flow pipe set at 80°C. This thermostat should be connected to the pump so that the pump is turned on if the temperature exceeds 80°C. This will prevent accidental boiling in the gravity circuit.

1.22 It is also recommended to fit a low limit thermostat on the central heating return set at 45°C. This thermostat will turn the pump off if the return temperature falls below 45°C. This will prevent corrosion and condensation within the stove.

NOTE – Further information on solid fuel central heating systems can be found in the HETAS engineers training manual.

USER INSTRUCTIONS

WARNING

Properly installed, operated and maintained this appliance will not emit fumes into the room.

Occasional fumes from de-ashing and refuelling may occur.

Persistent fume emission is potentially dangerous and must not be tolerated.

If fume emission does persist:

- Open doors and windows to ventilate the room.
- Allow fire to burn out or safely dispose of fuel from the appliance.
- Check for chimney blockage and clean if required.
- Do not attempt to relight until the cause of the emission has been identified and corrected.

If necessary seek expert advice.

— All open flued appliances can be affected by temporary atmospheric conditions which may allow fumes to enter the house. Because of this it is recommended that an electronic carbon monoxide detector conforming to BSEN50291 be fitted and maintained.

2. USING THE APPLIANCE FOR THE FIRST TIME

- 2.1 To allow the appliance to settle and fixing glues and paint to fully cure:
- Operate the appliance at a low temperature for first few days.
- 2.2 **Do not touch the paint during the first period of use.**
- 2.3 During this time the appliance may give off some unpleasant odours:
- Keep the room well ventilated to avoid a build-up of fumes.

CONDENSATION

CAUTION WHEN FILLING

- 2.4 When filling the boiler with water for the first time, the cold water entering the water jacket can cause condensation to form on the surfaces of the appliance (inside and outside).
- 2.5 In certain conditions this condensation could result in a considerable amount of water, in some cases enough to fill the bottom of the appliance. This could be even worse if the house has recently been re-decorated, wet plastered or any other work has been undertaken which could result in high humidity.

- 2.6 Precautions must be taken to ensure that this build up of condensate does not overflow from the appliance onto any surrounding fabric of the room e.g. carpets.

NOTE - THIS CONDENSATION IS NORMAL DURING FILLING AND DOES NOT INDICATE A FAULTY OR LEAKING STOVE.

NORMAL RUNNING

- 2.7 During normal running this condensation should be minimal if the system is fitted with the low limit thermostat as detailed in 1.22 (above). This low limit thermostat prevents the system pump from running until the stove has reached temperature.

SEASONAL USE

- 2.8 If this appliance is unused for lengthy periods of time it should be periodically checked to ensure that condensation is not building up within the stove.

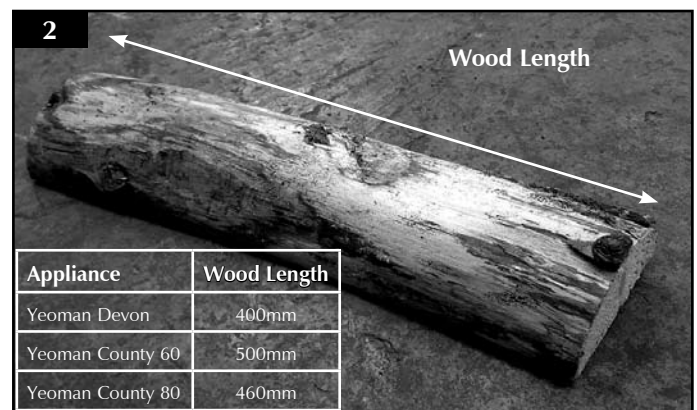
NOTE – THIS CONDENSATION IS NORMAL AND DOES NOT INDICATE A FAULTY OR LEAKING STOVE.

If the stove is going to be unused for very long periods of time it is recommended to drain the system.

3. RECOMMENDED FUELS

- 3.1 **Wood Logs:**

Burn only seasoned timber with a moisture content of less than 20%. To ensure this allow cut wood to dry for 12 to 18 months.



— Dry cut wood for 12 to 18 months before use.

Poor quality timber:

- Causes low combustion efficiency.
- Produces harmful condensation.
- Reduces effectiveness of the airwash and life of the appliance.

Do not burn construction timber, painted, impregnated / treated wood, manufactured board products or pallet wood.

USER INSTRUCTIONS

3.2 Solid fuel:

— Burn only anthracite or manufactured briquette smokeless fuels listed as suitable for use with closed heating appliances

Do not burn bituminous coal, 'petro-coke' or other petroleum based fuels as this will invalidate the product guarantee.

Description	Fuel Consumption	
	Kg/hour Wood	Kg/hour Briquette Smokeless fuel
Yeoman Devon	4.8	2.1
Yeoman County 60	5.5	3.2
Yeoman County 80	6.6	4.5

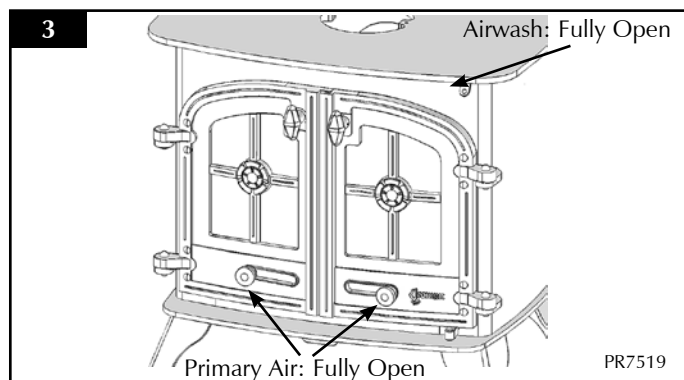
3.4 For advice on suitable solid fuels contact your local approved coal merchant*.

A number of factors can affect the performance of the appliance (see *User Instructions, Section 6*).

4. LIGHTING THE APPLIANCE

4.1 For best results:

— Set air controls (see Diagram 3).



4.2 Fully open the **Airwash control** and the **Primary air control**.

— Place firelighters or paper and dry kindling wood on the grate.

— Light the paper or firelighters (see Diagram 4).

*In the U.K:

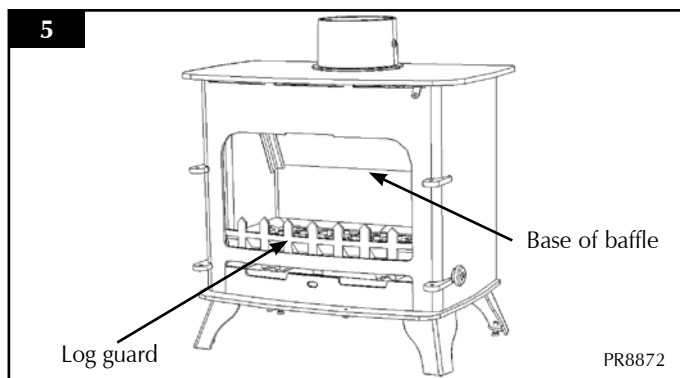
- Ring the Solid Fuel Association advice line on 0845 601 4406 for details
- Visit their web site at www.solidfuel.co.uk



— Leave the door slightly open as the fire establishes and the glass warms to avoid the build-up of condensation.

— Add larger pieces of solid fuel once the fire is established. Do not add too much fuel initially as this may smother the fire.

Do not load fuel above the log guard (see Diagram 5).



— Close the door.

Do not leave the door open as this may cause over-firing which can damage the appliance.

5. RUNNING THE APPLIANCE

BURNING WOOD:

5.1 This appliance gives out its heat in two ways:

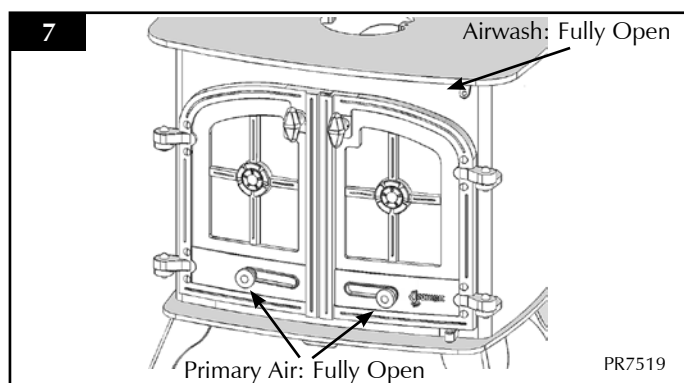
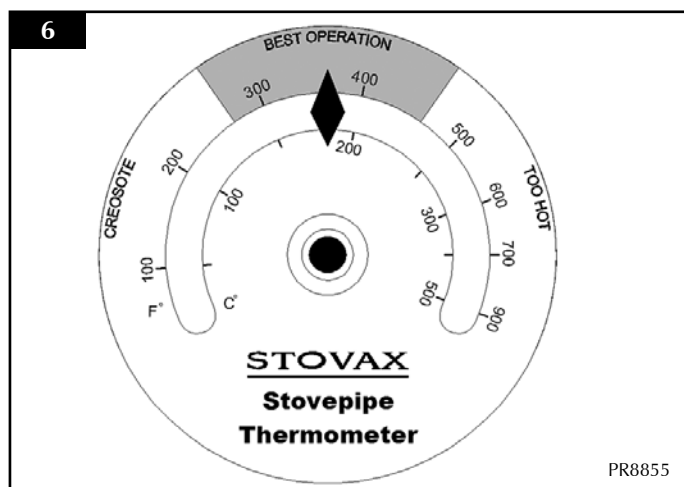
— Directly into the room in which it is fitted through convection and radiation.

— Hot water to heat radiators and domestic hot water. The output to hot water varies depending on how quickly the fuel is being burnt. For more detail see the graph on page 15.

5.2 Only for use with recommended fuels, see *Section 3* for full details.

— Close the **Primary air control** and use the **Airwash** to control the burn rate when the appliance is at optimum operating temperature (see Diagrams 6 & 7).

USER INSTRUCTIONS



— Wood burns best on a bed of ash (approx. 25mm (1") deep).

— Rake the embers evenly over the firebed and open the **Airwash** control fully for a few minutes before re-fuelling.

Do not refuel when a large amount of flames are present in the firebox as this could cause smoke or flames to spill into the room.

Close the doors immediately after refuelling.

- 5.3 Burn new logs at a high temperature for a few minutes before adjusting the **Airwash control**. Refuel little and often for clean, efficient burning.

Do not load above the log guard or base of baffle.

- 5.4 Do not burn large amounts of fuel with the **Airwash** control closed for long periods of time. This reduces the glass cleaning effect of the Airwash and causes tars and creosotes to build-up in the appliance and flue system.
- 5.5 When in use, running the appliance at a high temperature for a short period reduces tars and creosotes.
- 5.6 Experience establishes settings to suit personal preference.

Do not burn construction timber, painted, impregnated / treated wood, manufactured board products or pallet wood.

BURNING SOLID FUEL

- 5.7 To burn smokeless fuels a cast iron multi-fuel kit must be fitted. Set air controls as shown in Diagram 7.
- 5.8 De-ash the firebed before re-fuelling (see *User Instructions, Section 7*).

Open the **Primary air control** fully to establish a glowing bed before adding new fuel.

Burn new fuel at a high temperature (see Diagram 6) for a few minutes before adjusting the **Primary air control** to the desired setting.

Refuel little and often for clean, efficient burning.

- 5.9 Experience establishes settings to suit personal preference.
- 5.10 Do not burn large amounts of fuel with the **Primary air control** on a low combustion setting for long periods of time. This reduces the glass cleaning effect of the Airwash and causes tars and creosotes to build-up in the appliance and flue system.
- 5.11 When in use, burning the appliance at a high temperature for a short period reduces tars and creosotes.
- 5.12 **Only anthracite or smokeless fuels suitable for use in closed appliances must be burned in this appliance.**
- 5.13 **Do not burn bituminous coal, 'petro-coke' or other petroleum based fuels as this invalidates the product guarantee.**
- 5.14 **Do not load fuel above the log guard and the Secondary Air Inlets at the back of the firebox** (see Diagram 5).

REFUELLING

- 5.15 De-ash the fire bed before refuelling, see Ash Removal
- Open the **Primary air control** fully to establish a glowing bed before adding new fuel.
- **Do not refuel when a large amount of flame is present in the firebox as this could cause smoke or flames to spill into the room.**
- **Close the doors immediately after refuelling.**
- Burn new fuel at a high temperature for a few minutes before adjusting the **Primary air control** to the desired setting.
- Refuel little and often for clean, efficient burning.
- 5.16 Do not re-fuel the stove above the level of the log guard or the base of the baffle.

USER INSTRUCTIONS

THERMOSTAT OPERATION

- 5.17 This appliance can be fitted with a thermostat kit to control the temperature of the boiler. See the instructions included in the kit for operation details.

6. BURNING TIPS

6.1 Fuel Quality (Wood)

Use wood with a moisture content of less than 20%. Seasoned logs have the bark beginning to lift and peel away and cracks radiating from the centre. They feel lighter than fresh cut wood of a similar size and sound hollow when struck against each other. Logs should not feel damp or have moss or fungal growths.

Symptoms related to wet wood:

- Difficulty starting and keeping a fire burning well.
- Smoke and small flames.
- Dirty glass.
- Rapid creosote build-up in the chimney.
- Low heat output.
- Short burn times, excessive fuel consumption and blue/grey smoke from the chimney.

Burn at a high temperature for a short period each day to avoid large build-ups of tars and creosotes within the appliance and the flue system.

Use Stovax Protector chimney cleaner to reduce this problem.

6.2 Fuel Quality (Solid Fuel)

Use recommended solid fuels approved for use with closed appliances.

Symptoms related to unsuitable fuels include:

- Difficulty starting and keeping a fire burning well.
- Smoke and small flames.
- Dirty glass and/or fire bricks.
- Short life span for grate and baffle.
- Permanent staining of glass.

6.3 Air inlets puffing smoke

Combustion gases can build up in the firebox and ignite as small explosions, causing smoke to puff out of the air inlets and other openings. This occurs if the air controls are shut soon after adding new fuel to a very hot fire. Stop by opening the air controls to increase combustion air and burning rate.

6.4 Flue Draught

The chimney has two main functions:

- 1) To safely remove the smoke, gases and fumes from the house.
- 2) To provide a sufficient amount of draught (suction) in the appliance ensuring the fire keeps burning.

Draught is caused by the rising hot air in the chimney when the appliance is lit.

Symptoms of poor performance related to flue draught include:

- Excessive fuel consumption (high flue draught).
- Poor burning control and/or overheating (high flue draught).
- Wind noise from air controls (high flue draught).
- Difficulty getting a fire going and keeping it burning well (low flue draught).
- Low heat output (low flue draught).
- Smoke entering room when doors are opened (low flue draught).

The construction, position, size and height of the chimney all affect the performance of the flue draught.

Other factors effecting the flue draught include:

- Nearby trees or buildings causing turbulence.
- Outside temperature.
- Outside weather conditions.
- Incorrect additional ventilation to building.
- Blocked flue or chimney.

For advice on the correction of persistent flue problems consult a qualified heating engineer before continuing to use the appliance.

6.5 Weather conditions

The weather conditions outside the building can effect the burning performance of the appliance. These could include:

Weather Conditions	Problem	Effect
Windy days	Buildings/obstacles cause turbulent air around chimney	Smoky appliance
Calm days	Oversized chimney	Smoky appliance
Damp / Rainy days	Flue temperature not hot enough / rain water inside chimney	Lighting and burning problems

To reduce these problems:

- Use good quality kindling wood to start the fire.
- Burn initially at a high temperature for a short period.
- Fit a rain cowl to the chimney.

Your installer should advise you on possible solutions.

If the appliance emits smoke into the room continuously:

- Close the air controls and allow the appliance to go out.
- Ventilate the room to clear the fumes.

Do not re-light the appliance until the problem is solved.

USER INSTRUCTIONS

7. ASH REMOVAL

Warning: Ash can remain hot long after appliance has been in use.

7.1 Wood:

- Open Doors (see Section 1.14)
- Leave a layer of ash to start the new fire on. Wood burns best on a bed of ash (approx. 25mm (1") deep).
- Remove ash with a small shovel and place into a Stovax Ash Caddy (Stovax Part No. 4227) or other suitable container.

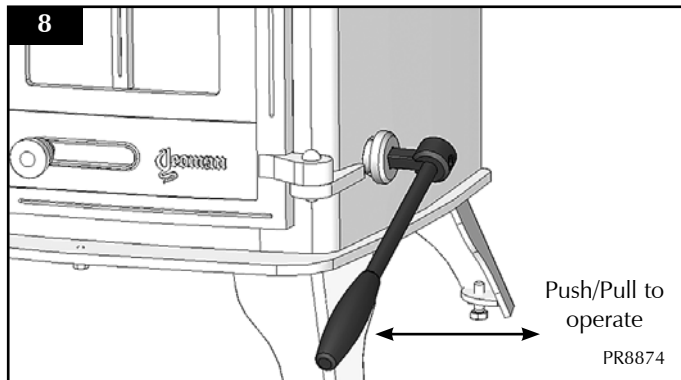
Do not place hot ash in any container made from plastic or any other combustible material.

- De-ash at least once a week.

7.2 Multi-fuel:

De-ash the appliance before filling with new fuel. Do not allow ash to build up on the underside of the grate as this can cause premature failure.

- Insert the Riddling Tool into the socket as shown in Diagram 8.

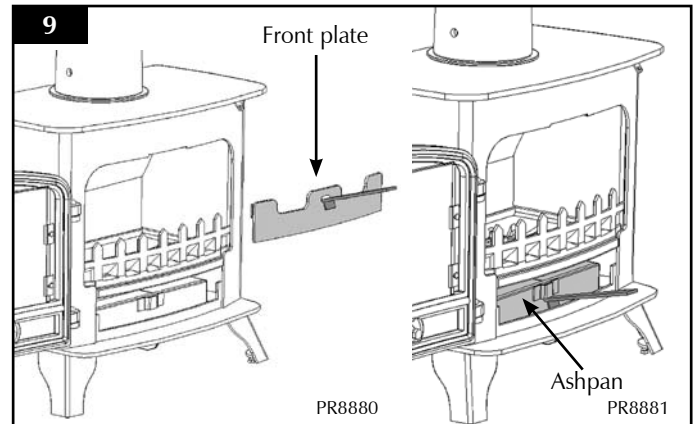


- Rotate the Riddling Tool backward and forward 3 or 4 times to remove the ash. Do not force the handle beyond its natural stop point. The ash will fall into the ashpan.

- Open doors.

Warning: Ash can remain hot long after appliance has been in use.

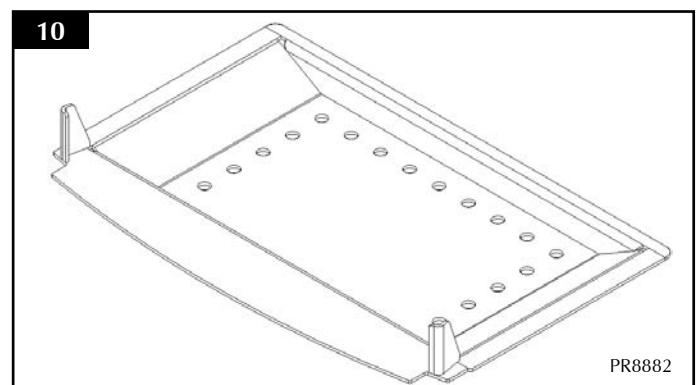
- Remove front plate (see Diagram 9).



- Using gloves, carefully remove ashpan (see Diagram 9).
- Place the ash into a Stovax Ash Caddy (Stovax Part No. 4227) or other suitable container.
- Check and remove ash as often as required when burning solid fuel.
- De-ash at least once a week.
- Do not place hot ash in a container made from plastic or any other combustible material.

8. WOOD BURNING TRAY

- 8.1 In order to burn wood continuously in this appliance a Wood Burning Tray should be fitted (see Diagram 10).

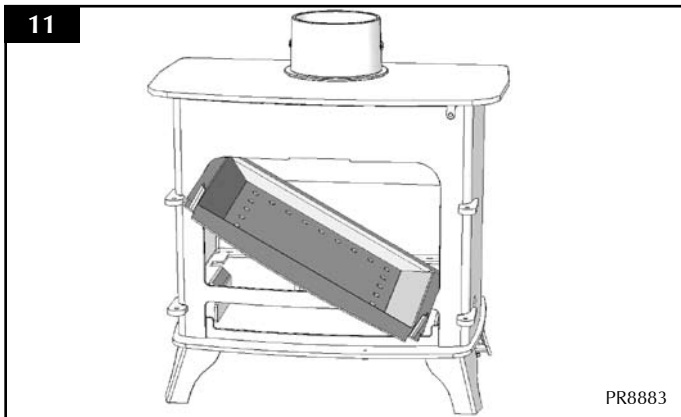


- 8.2 Remove the multi-fuel grate from the appliance (see Installation Instructions, Section 4).

- 8.2 To fit the Wood Burning Tray:

- Remove the log bar and ashlip,
- Hold the tray flat with the front edge pointing forwards (see Diagram 10).
- Tilt diagonally and insert through the front of the stove (see Diagram 11).

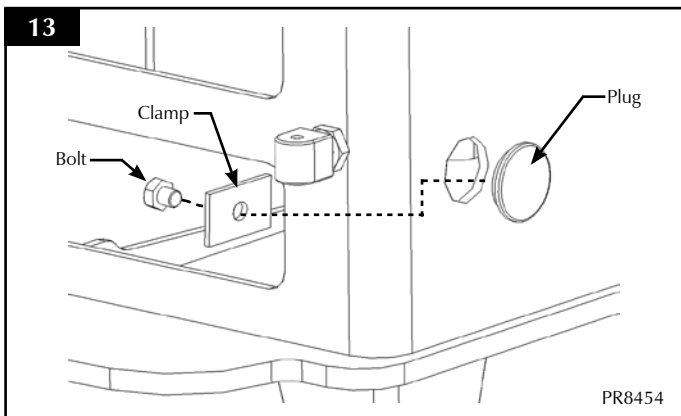
USER INSTRUCTIONS



— Place flat on the fixings on the bottom of the appliance (see Diagram 12).



— Fit the plug supplied in the right hand side where the riddling mechanism is located (see Diagram 13).



— Replace the log bar.

9. EXTENDED BURNING

- 9.1 It is possible to get the appliance to burn for extended periods. In order to do this:
- De-ash prior to final refuelling.
 - Set air controls to low combustion settings. This will blacken the glass over night but it will clear when operated at high output for a short period.
 - Use smokeless fuel or small, thick logs depending on fuel desired.

10. OVER-FIRING

- 10.1 Do not over-fill with fuel or use at maximum output for long periods or over-firing can occur. If the flue pipe, flue collar or top plate glow red the appliance is over-firing.
- Close the air controls to reduce the output.
- 10.2 Over-firing can cause permanent damage to the appliance.

11. CHIMNEY FIRE

- 11.1 If a chimney fire occurs:
- Shut all air controls immediately.
 - Evacuate the building.
 - Call the fire brigade.
 - Do not re-enter the building until it is confirmed safe.
- 11.2 **Do not use the appliance after a chimney fire until:**
- It has been inspected by a registered installer, confirming the appliance is safe to use*.**
 - The chimney system inspected and swept by a chimney sweep, confirming the system is structurally sound and free from obstruction before re-use**.
 - It is repaired as required before re-use.** Use only genuine Stovax replacement parts to keep your appliance in safe and efficient working order.

* Registered on the Competent Persons Scheme (UK only) see page 14 / INFO (Republic of Ireland).

**This should be done by a HETAS Approved Chimney Sweep (UK only) see page 14 / INFO registered (Republic of Ireland only) who will issue you with a certificate.

USER INSTRUCTIONS

12. GENERAL CLEANING

- 12.1 Clean and inspect the appliance regularly, especially in periods of heavy use. Regular cleaning and maintenance will help give many years of safe use.

Allow appliance to cool thoroughly to avoid risk of burns.

Clean regularly, according to level of use.

- Remove the ash completely (see *User Instructions, Section 7*).
- Check the internal components for damage (grate, baffle and log guard). Do not use the appliance if any parts are broken or damaged. Replace damaged parts with genuine Stovax replacement parts to keep the appliance in safe, efficient working order.
- Check for obvious build up of soot, ash or debris above the flue baffle(s) (these can be found in the upper part of the firebox). Use a torch if necessary.
- If there are any signs of a build up of debris above the flue baffle(s) either:
 - Arrange for the chimney to be swept (see *User Instructions, Section 13*).
 - Remove the baffle and clear the debris (see *Installation Instructions, Section 4*).
 - Clean matt black appliances using Stovax Colloidal black or Stovax Grate Polish.
 - To refresh painted finishes use Stovax Thermolac paint.
 - Clean enamel finishes using warm soapy water and a soft clean cloth.
 - Wipe dry with a soft clean cloth before relighting. Always dry appliance to avoid rust.
- **Do not use abrasive cleaner or cleaning pads.**
- Check that the door shuts properly and creates an effective seal. Leaking door seals prevent the appliance working properly.
- **Do not use aerosol sprays near an operating appliance.**

In the U.K.

* registered with HETAS (GB only) see page 14 /

INFO (Republic of Ireland only)

** This should be done by a HETAS registered chimney sweep who will issue you with a certificate.

13. CLEANING GLASS

- 13.1 Keep the glass clean with correct use of the Airwash system and good quality fuel. Sometimes additional cleaning may be required. This can be done as follows:
- Allow appliance to cool fully. **Do not clean hot glass.**
 - Use a soft cloth and Stovax Glass Cleaner.
- 13.2 Before re-lighting the appliance:
- Dry the glass fully.
- 13.3 **Do not use abrasive cleaner or cleaning pads.**

14. CHIMNEY SWEEPING

- 14.1 To maintain safe and efficient use of the appliance the chimney/flue must be inspected and swept at least once a year by a qualified chimney sweep.*

If the appliance is used continuously throughout the year or it is used to burn wood or smokeless fuel, more frequent sweeping is recommended.

The best time to have the chimney swept is at the start of the heating season.

The above applies even if burning smokeless fuels.

- 14.2 The chimney, any connecting flue pipe and the appliance flue ways if incorporated, must be regularly cleaned.
- 14.3 Ensure adequate access to cleaning doors where it is not possible to sweep through the chimney.
- 14.4 If the appliance is believed to have previously served an open fire the chimney must be swept a second time within a month of regular use after installation.

15. CARE OF STOVE

Stovax has a range of cleaning and maintenance products and accessories to keep your appliance in good working order. Your Yeoman retailer can advise you on suitable items for your stove and provide genuine spare parts such as replacement glass, door sealing rope and firebricks. View the extensive range at www.stovax.com by clicking on *Accessories*. In addition, an annual service by a competent engineer is recommended to keep your stove in the best possible condition.



USER INSTRUCTIONS

16. SEASONAL USE

- 16.1 Clean and service the appliance if it is not used during the warmer periods of the year as detailed in the *Maintenance and Servicing* section.
- 16.2 Set the air controls 50% open to keep the appliance ventilated and stop the build-up of any moisture inside.
- 16.3 Before re-lighting the appliance:
 - Remove the baffle.
 - Clear any debris that may have accumulated.
 - Check the flue is clear of any blockages.
- 16.4 If this appliance is unused for lengthy periods of time it should be periodically checked to ensure that condensation is not building up within the stove.

NOTE – THIS CONDENSATION IS NORMAL AND DOES NOT INDICATE A FAULTY OR LEAKING STOVE.

- 16.5 If the stove is going to be unused for very long periods of time it is recommended to drain the system.

17. TROUBLESHOOTING TIPS

17.1 Stove glass blackening

This has four possible causes:

1. **Incorrect use of Airwash**
See *User Instructions, Sections 1, 4 and 5* for the correct use of the air controls.
2. **Burning unseasoned wood**
See *User Instructions, Section 3* to identify when wood is ready for burning.
3. **Stove operated at too low a temperature**
A stove pipe thermometer can identify this problem (Stovax part no. 3046). **The ideal working temperature range** is 130°C - 250°C (270°F - 480°F). Failing to close down the Primary Air Control once the appliance has heated up to this range may cause the appliance to exceed the ideal temperature range and to over-fire. Over-firing can cause permanent damage to the appliance and invalidates your warranty. Burn with the Airwash Control fully open for approximately 20 minutes to cure this.

The problem may be caused by damping down the appliance during periods of extended burning.
4. **Problems with the flue**, in particular insufficient air pull. If the flue is not working efficiently the glass can blacken. A flue which has too much downdraft may be too short, needs lining, or has too many bends. This can also cause blackening of the stove glass. Contact the installer or a flue specialist for advice.

17.2 Riddling mechanism jamming

This occurs when fine ash builds up under the riddling bars preventing movement. To prevent this:
 — Follow a regular cleaning routine for the inside of your appliance.
 — Lift out the riddling mechanism and remove all ash.
 — Replace riddling mechanism when cleaning is complete.

17.3 Glass cracking

Do not over tighten the screws on the glass clips when replacing the glass. This causes stress and the intense temperature changes can cause the glass to crack. For replacement glass contact your local Yeoman retailer.

17.4 Appliance is producing tar

This can be identified by:

- A very strong pungent smell shortly after the appliance is lit and heats up.
- Glass blackening.
- Thick, brown, sticky tar oozing from the pipe joints.

This is caused by burning damp wood and running the appliance at too low a temperature.

Use well seasoned wood and operate the appliance within the ideal temperature range.

Tar is a major cause of chimney fires. If the appliance experiences problems with tar build up consult a chimney sweep before continued use of the appliance.

17.5 All or some of the radiators do not get hot

Burning wood	Wood is burning too slowly	Open up the airwash to make a hotter fire
		If fitted set the thermostat to a higher setting
		Burn dryer wood
		Burn better quality wood
		Reduce ashbed to 1" thick
Burning Solid Mineral fuels	Fuel is burning too slowly	Open up the primary air to make a hotter fire. If fitted, set the thermostat to a higher setting
		The fire needs riddling to remove ash. De-ash the fire
		Empty the ash pan.
All Fuels	Stove is not producing much heat.	Not enough fuel.
	System faults	Bleed the radiators to ensure there are no air locks.
		Incorrect system design seek professional assistance
		Too many radiators in the system exceeding the stoves capabilities.

17.6 **In the unlikely event of a problem that cannot be solved by these tips contact your installer or retailer for help.**

TECHNICAL SPECIFICATION

YEOMAN

Model			Yeoman Devon 50	Yeoman County 60	Yeoman County 80
Yeoman Devon 50					
Yeoman County 60					
Yeoman County 80					
Nominal Heat Output to Room	Solid Fuel	kW	5.0	7.0	9.0
Nominal Heat Output to Water		kW	8.0	11.0	14.0
Flue Draught at Nominal Heat Output	All Fuels	mm Wg	1.25	1.25	1.25
		inch Wg	0.05	0.05	0.05
Flue Outlet Size (Top or Rear option)		mm	150	150	150
		inch	6	6	6
Minimum Hearth Type Required	Constructional = CH 12mm hearth = 12mm		CH	CH	CH
Weight		kg	135	172	235
Recommended Fuels	Solid Fuels	Briquette smokeless fuel suitable for closed appliances. (Ancit - Phurnacite - Taybrite - Homefire ovals)			

Organisations authorised to certify competence in the installation of domestic solid fuel appliances (Competent Persons Scheme):

APHC - Association of Plumbing and Heating Contractors (Certification) Ltd.
www.aphc.co.uk

BESCA - Building Engineering Services Competence Accreditation Ltd.
www.besca.org.uk

HETAS - Heating Equipment Testing and Approval Scheme Ltd.
www.hetas.co.uk

NAPIT - National Association of Professional Inspectors and Testers Ltd.
www.napit.org.uk

NICEIC - NICEIC Group Ltd.
www.niceic.org.uk

HETAS Approved Chimney Sweeps:

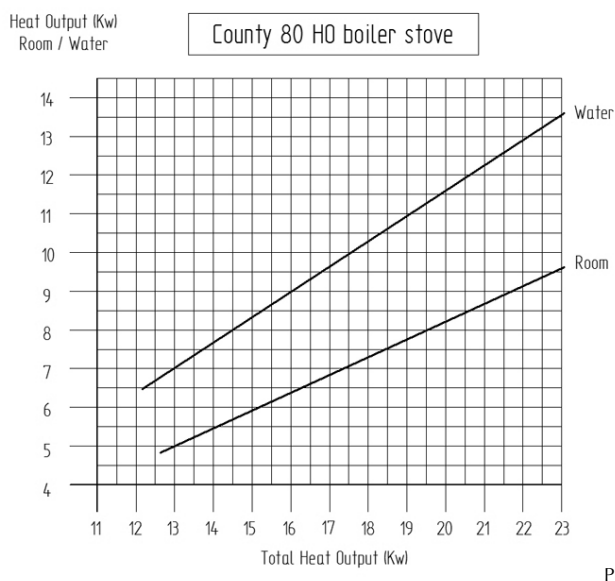
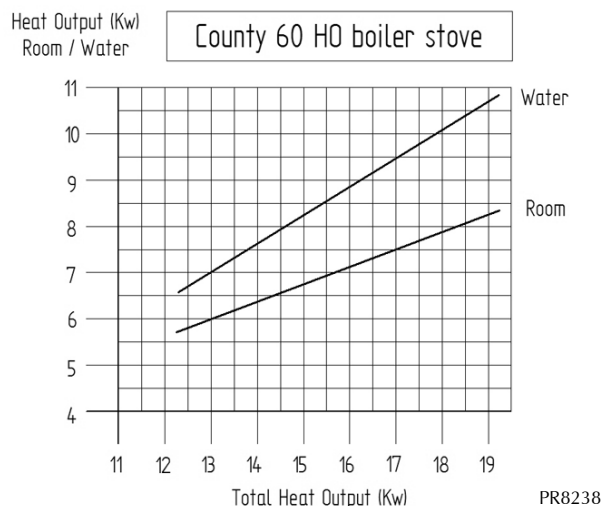
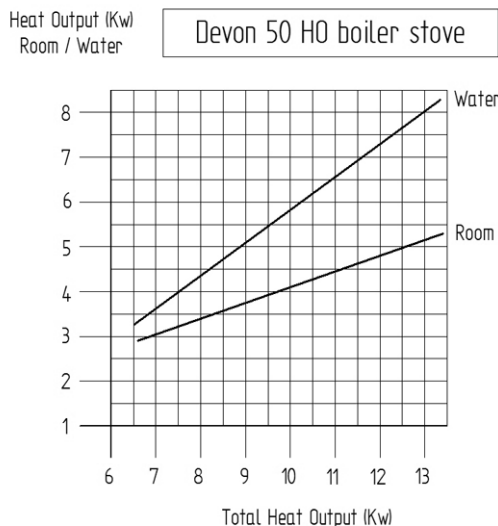
NACS - The National Association of Chimney Sweeps
www.chimneyworks.co.uk

APICS - The Association of Master Chimney Sweeps Ltd.
www.apics.org

The Guild of Master Chimney Sweeps
guildofmasterchimneysweeps.co.uk

TECHNICAL SPECIFICATION

BOILER OUTPUT CHARTS



1. STANDARD FEATURES

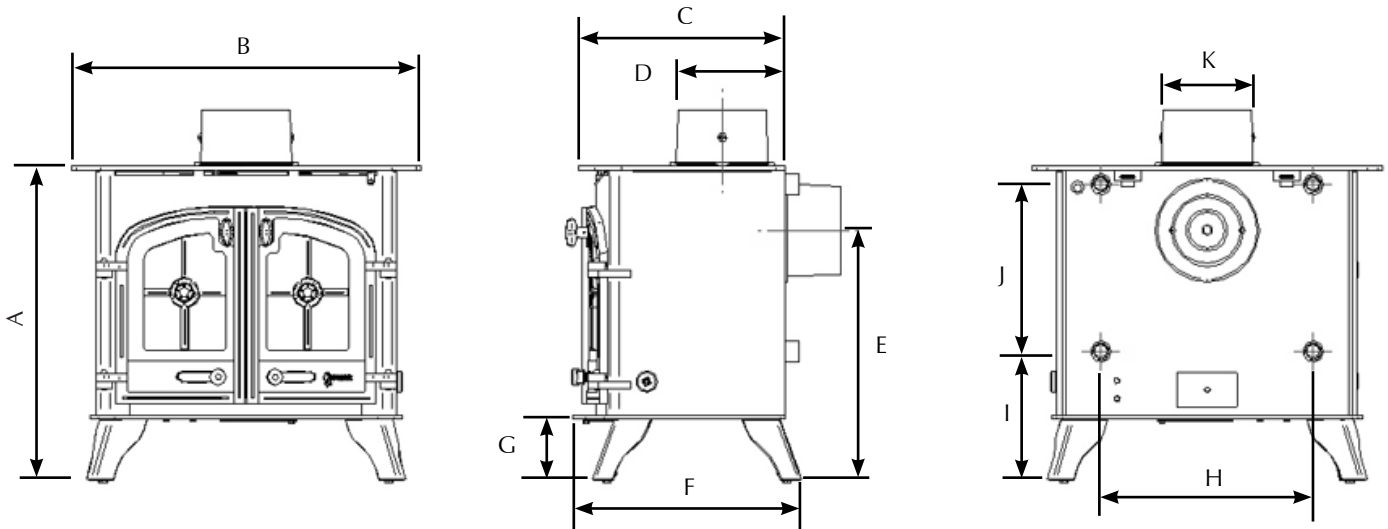
- Primary air (under grate air for full multi fuel use)
- Airwash (for wood burning / clean glass)
- Riddling grate system for clean de-ashing when fitted with multi-fuel kit (excludes County models)
- Removable door handle tool
- Top or rear flue exit option
- Removable door cross option (2 door only)
- Rose or plain primary air spinners (1 door only)

2. PACKING LIST

- User Instructions
- Installer Instructions
- Guarantee card
- Pair leather gloves
- Door handle tool
- Fire bricks
- Ashpan (MF Only)
- Riddling tool (MF Only)

TECHNICAL SPECIFICATION

YEOMAN DIMENSIONS



PR8249

Description	Model	A	B	C	D	E	F	G	H	I	J	K (dia)
Devon	50	590	659	389	118	469	430	120	400	241	315	153
County	60	632	772	446	125	507	508	126	530	246	343	153
County	80	691	857	508	125	566	572	138	608	258	397	153

SITE REQUIREMENTS

1. FLUE OR CHIMNEY

- 1.1 The flue or chimney system must be in good condition. It must be inspected by a competent person and passed for use with the appliance before installation.

Products of combustion entering the room can cause serious health risks.

- 1.2 The following must be checked:
- The construction of the masonry chimneys, flue block chimneys and connecting flue pipe system must meet the requirements of the Building Regulations†.
 - A flexible flue liner system can be used if certified for use with solid fuel systems and installation complies with manufacturer's instructions and Building Regulations†. The flue liner must be replaced when an appliance is replaced, unless proven to be recently installed and in good condition.
 - If it is necessary to fit a register plate it must conform to the Building Regulations†.
 - The minimum height of the flue or chimney must be 4.5m from the hearth to the top of the flue, with no horizontal sections and a maximum of 4 bends. Bends must have angles of less than 45 degrees from the vertical.
 - Ensure the connecting flue pipe is kept a suitable distance from any combustible material and does not form part of the supporting structure of the building.
 - Make provision to remove the appliance without the need to dismantle the chimney.
 - Any existing flue must be confirmed as suitable for the new intended use as defined in the Building Regulations†.
 - The flue or chimney systems must be inspected and swept to confirm the system is structurally sound and free from obstructions**.
 - If the chimney is believed to have previously served an open fire it must be swept a second time within a month of regular use after installation to clear any soot falls that may have occurred due to difference in combustion levels.
 - The flue exit from the building must comply with local building control rules†.
 - Do not connect or share the flue or chimney system with another heating appliance.
- 1.3 Do not connect to systems containing large voids or spaces over 230mm square.

- 1.4 Suitable access must be provided to enable the collection and removal of debris.
- 1.5 The flue must be swept and inspected when the appliance is installed.
- 1.6 The flue draught must be checked with all windows and doors closed and any extraction fans in this, or adjoining rooms, running at maximum speed (see next section for additional ventilation requirements).

Max. Draught = 2.0mm Wg
Min. Draught = 1.0mm Wg

In the U.K.

*The design of the flue and chimney systems and products used should meet the requirements of ADJ along with any other relevant, National or European standards that may apply. Products should be specified with regard to the type of appliance, position within the building, fuels to be used and appliance operating temperatures.

**This should be done by a HETAS Approved Chimney Sweep (UK only) see page 14 / INFO registered (Republic of Ireland only) who will issue you with a certificate.

† Building Regulations Document J

Flue Plate:

Where a hearth, fireplace, flue or chimney is provided or extended (including cases where a flue is provided as part of refurbishment work) information essential to the correct appliance and use of these should be permanently posted in the building, to meet Requirement J4 of the Building Regulations (England and Wales) F3.12 (Scotland).

Additional:

A new factory made system that complies to EN 1856; Part 1 can be used providing installation is to the requirements of:

- i) BS 7566 Parts 1 - 4
- ii) the manufacturer's instructions
- iii) Building Regulations.

For a guide containing information on Chimneys and Flues contact:

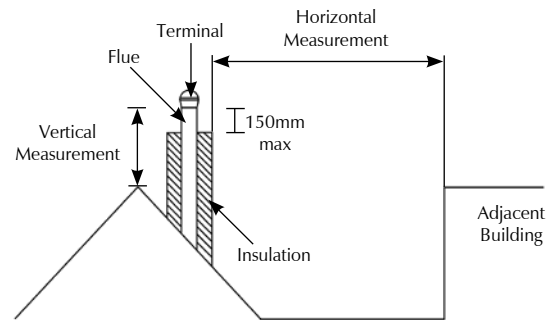
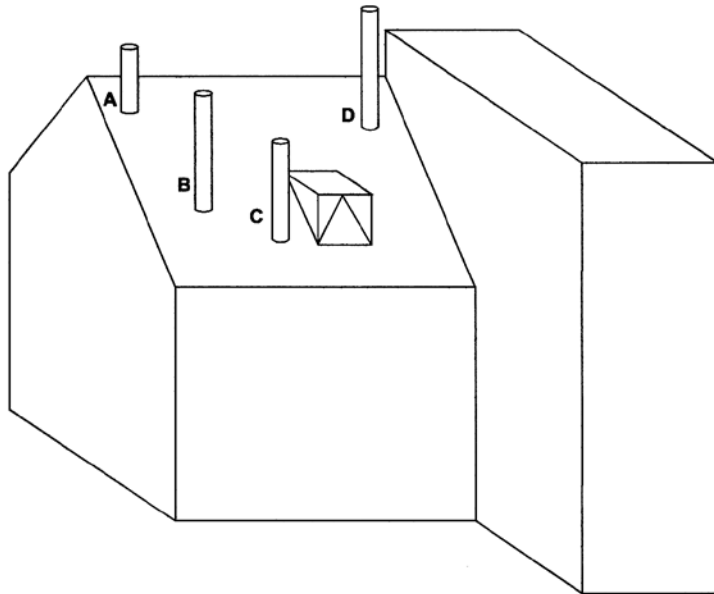
The British Flue & Chimney Manufacturers' Association,
FETA
2 Waltham Court
Milley Lane
Hare Hatch
Reading
Berkshire RG10 9TH

Tel: 0118 9403416

e-mail: info@feta.co.uk

SITE REQUIREMENTS

1. FLUE OUTLET POSITIONS

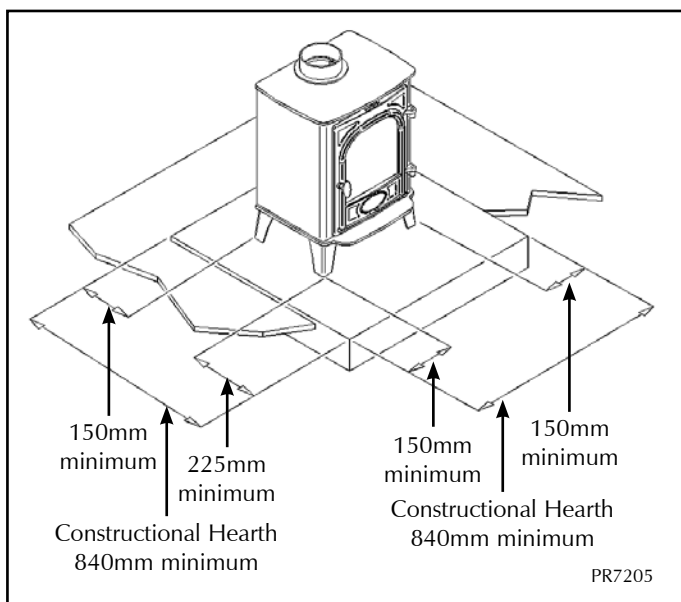


The vertical measurement is the lowest from either the point of discharge or 150mm above insulation.

	Position On Roof	Minimum Clearances
A	On ridge or within 600mm	600mm above ridge
B	Elsewhere on roof	2300mm horizontally from roof surface and: a) 1000mm above highest point of flue exit from roof or b) as high as the ridge
C	On pitched, within 2300mm horizontally to openable window, dormer	1000mm above top of opening
D	Within 2300mm of another building	600mm above top of building

IMPORTANT: Seek specialist advice if installing in a dwelling with a thatched roof

1. HEARTH DIMENSIONS

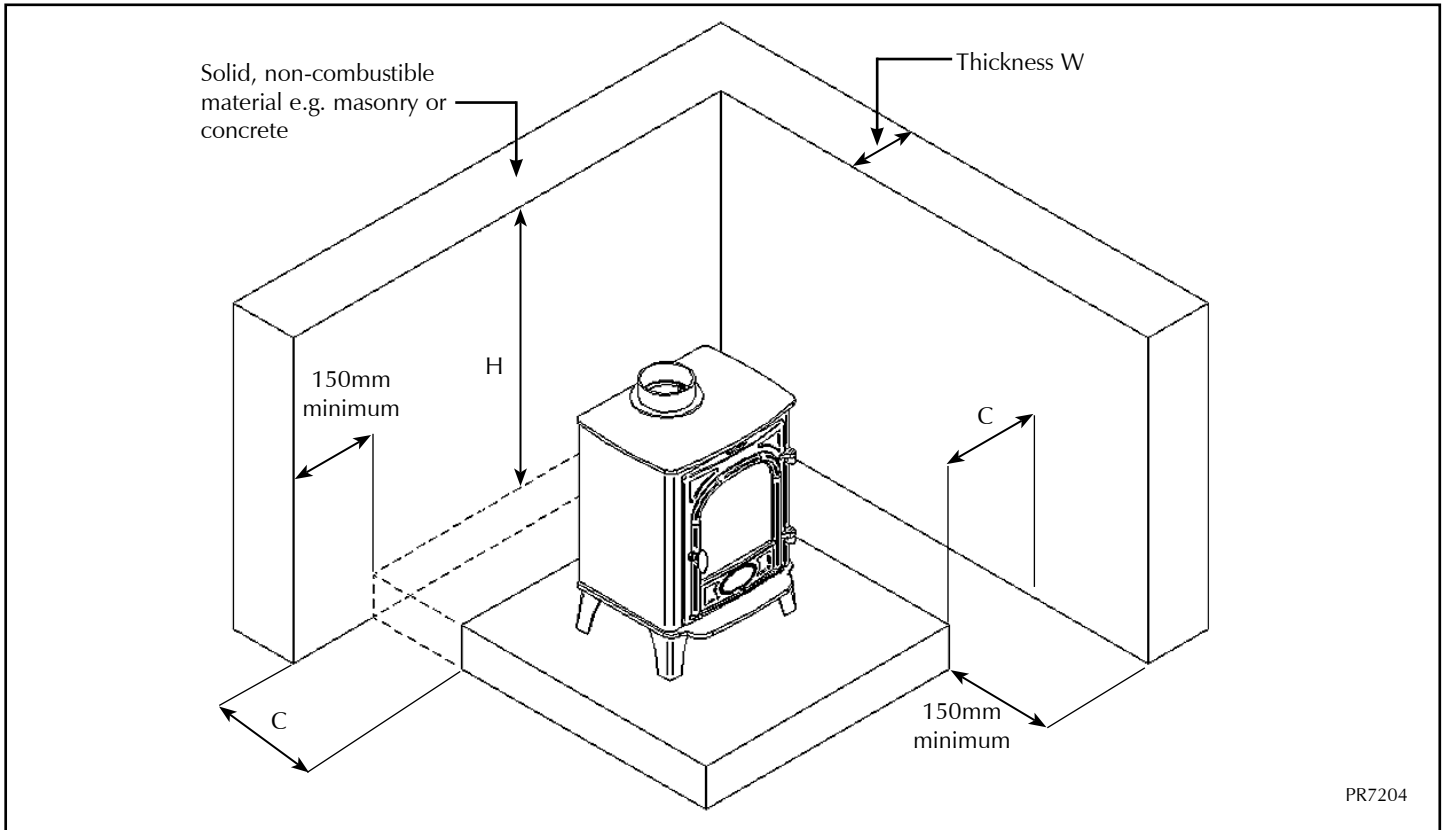


- 2.1 The appliance must stand on a constructional hearth which is at least 125mm thick with the minimum dimensions as shown in the diagram opposite.
- 2.2 The building must have a suitable load-bearing capacity for the hearth and appliance.
 - Consult a structural engineer for advice before proceeding.

Caution: These appliances are heavy.
- 2.3 When fitting into an existing hearth check that the appliance complies with current construction regulations and is at least the minimum sizes shown.
- 2.4 If there is no existing fireplace or chimney it is possible to construct a suitable non-combustible housing and hearth setting. The flue must be installed in accordance with all local and national regulations and current rules in force.
 - Check if adding a new chimney to your property requires planning permission.

SITE REQUIREMENTS

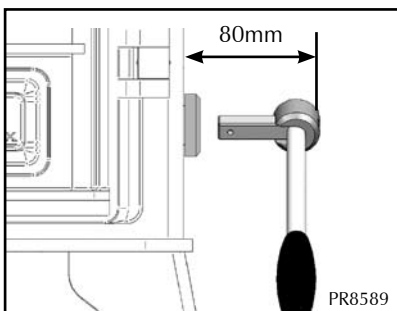
WALLS NEXT TO A HEARTH



Position of Appliance & Hearth in relation to walls		Requirement for the walls	
Distance of hearth from wall 'C'	Distance of Appliance to wall	Min thickness of Wall 'W'	Min height of wall 'H'
0mm	0mm - 50mm	200mm	Height of appliance + 300mm Or 1200mm from the hearth (take largest dimension)
0mm	51mm - 300mm	75mm	
0 - 150mm	150mm +	75mm	1200mm
150mm +	300mm +	No Minimum Requirement	

Suitable clearance should be allowed around the stove to enable the correct fitting and maintenance of the appliance.

Any clearances should be confirmed by making a site survey and a physical check of wall thickness and dimensions.



Note:

When installing a Multi-fuel appliance a minimum gap of 80mm must be left on the Right Hand Side so that the riddling tool can be comfortably engaged in the socket.

PRE-INSTALLATION CHECKS

1. FLUES

Model			Yeoman Devon 50	Yeoman County 60	Yeoman County 80
Yeoman Devon 50					
Yeoman County 60					
Yeoman County 80					
Flue / Chimney Size	Without Liner System (round) Diameter	mm	150	150	150
		inch	6	6	6
	Without Liner System (square) Minimum Dimension	mm	135	135	135
		inch	5½	5½	5½
	With Liner or Factory Made System (diameter)	mm	150	150	150
		inch	6	6	6
Flue / Chimney minimum height*		m	4.5	4.5	4.5
		feet	15	15	15
* When measured from the top of the flue, with no horizontal sections and a maximum of 4 bends with angles of less than 45°					

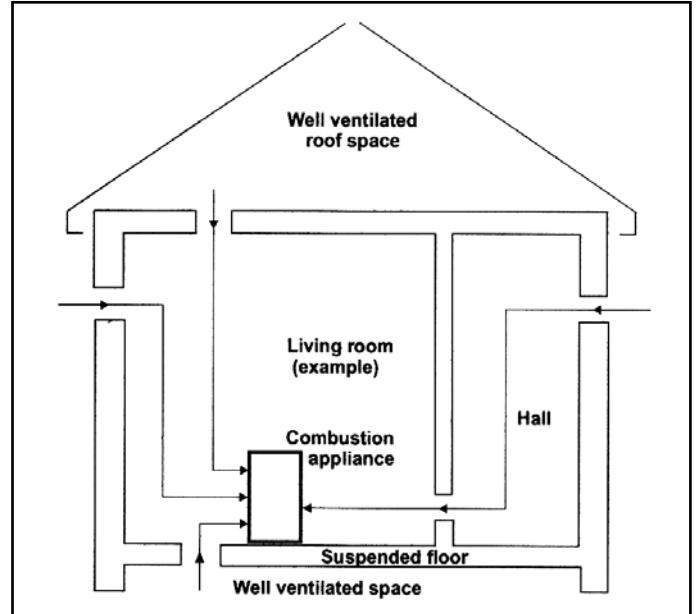
PRE-INSTALLATION CHECKS

2. VENTILATION

- 2.1 Additional ventilation will be required to suit the requirements of Building Regulations. This must be provided using a permanently open air vent, of the size listed, which is positioned so that it is not liable to be blocked both inside and outside the building.
- 2.2 The appliance will require additional ventilation as listed*:
- A) Building design permeability greater than 5.0m^3 (h.m²).
- B) Building design permeability less than 5.0m^3 (h.m²).

Model			Yeoman Devon 50	Yeoman County 60	Yeoman County 80
Yeoman Devon 50					
Yeoman County 60					
Yeoman County 80					
A	Additional Ventilation	mm ²	4400	7150	9900
		cm ²	44.00	71.50	99.00
		in ²	7.10	11.54	15.97
B	Additional Ventilation	mm ²	7150	9900	12650
		cm ²	71.50	99.00	126.50
		in ²	11.54	15.97	20.41

- 2.3 Permanent air vents should be non-adjustable and positioned where they are unlikely to be become blocked.
- 2.4 If vents open into adjoining rooms or spaces there must be an air vent of at least the same size direct to the outside.
- 2.5 Site the vents where cold draught is unlikely to cause discomfort. This can be avoided by placing vents near ceilings or close to the appliance, see diagram.



- 2.6 Extractor fans or cooker hoods must not be placed in the same room or space as this can cause the appliance to emit fumes into the room.
- 2.7 Increase air supply provisions where a room contains multiple appliances.
- 2.8 The need for additional ventilation may also be identified during the commissioning procedure and should be provided if needed.
- An inadequate air supply to the room is potentially dangerous.**
- 2.9 **If any checks reveal problems do not proceed with the fitting of the appliance until they have been rectified.**

* Changes to Document J, England & Wales, from 01/10/2010

INSTALLATION INSTRUCTIONS

LEGAL REQUIREMENTS

Before installation and/or use of this appliance please read these instructions carefully to ensure that all requirements are fully understood.

The appliance must be fitted by a registered installer*, or approved by your local building control officer.

It is very important to understand the requirements of the national Building Regulations† and standards‡, along with any local regulations and working practices that may apply. Should any conflict occur between these instructions and these regulations then the regulations must apply.

Your local Building Control Office can advise regarding the requirements of the regulations.

The appliance must be fitted by a registered installer* or approved by your local building control officer.

Works must be carried out with care to meet the requirements of Health and Safety** and comply with the Health and Safety rules**, and any new regulations introduced during the lifetime of these instructions. Particular attention should be drawn to:

- **Handling:** The appliance is heavy. Adequate facilities must be available for loading, unloading and on site handling.
- **Fire Cement:** Some fire cement is caustic and must not come into contact with the skin. Protective gloves must be worn. Wash hands thoroughly with plenty of water after contact with skin.
- **Asbestos:** This appliance contains no asbestos. If there is the possibility of disturbing any asbestos in the course of installation seek specialist guidance and use appropriate equipment.
- **Metal Parts:** Take care when installing or servicing the stove to avoid personal injury.

A faulty installation can cause danger to the inhabitants and structure of the building.

For users of this appliance:

Your building insurance company may require you to inform them that a new heating appliance has been installed on your property. Check that your cover is still valid after installing the appliance.

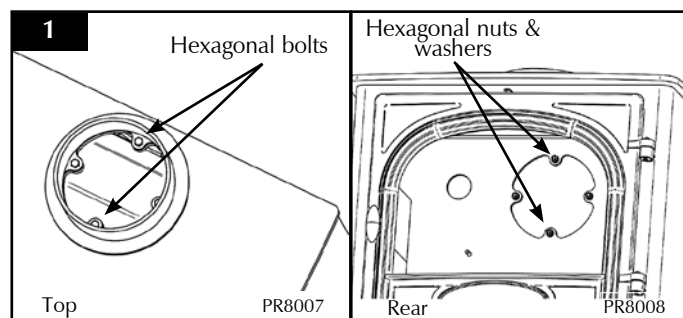
1. INSTALLING THE APPLIANCE

Each installation is unique to the property so it is not possible to give details to suit every setting. The installation must comply with Building Regulations and be made using "best practice" construction methods.

Many fireplace openings have a supporting lintel. Do not remove without supporting the remaining structure of the building. **Do not support the structure with the appliance or the flue system.**

1.1 Take care when installing the appliance. Careless handling and use of tools can damage the finish and/or area.

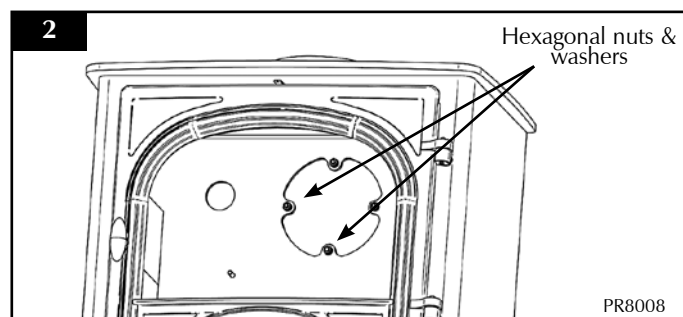
- Choose top or rear flue exit:



- Fit flue collar and blanking plate to suit.

Note: The Stockton 7 Inset does not have or require a flue collar.

- Attach flue collar to top or rear with hexagonal bolts (see Diagram 1).
- Seal with fire cement if desired.
- Secure blanking plate with hexagonal bolts (see Diagram 2).



1.2 Top flue pipe installation

- Lift appliance into position taking care not to damage the hearth finish.
- Level the appliance.
- Connect appliance to the chimney using flue pipe.
- Secure with self tapping screw.
- Seal the connecting joints.

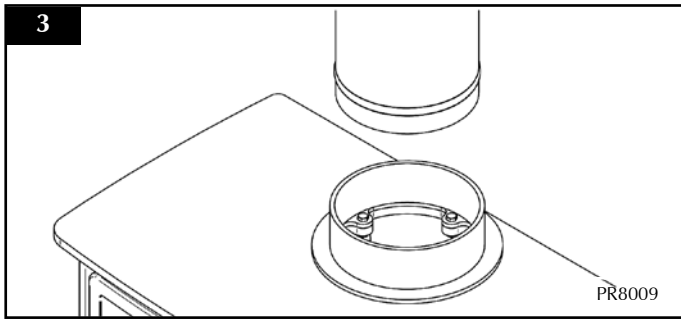
† England and Wales – Document J / Scotland - Part F / Document J (Republic of Ireland only)

‡ BS 8303, BS 6461, BS 7566

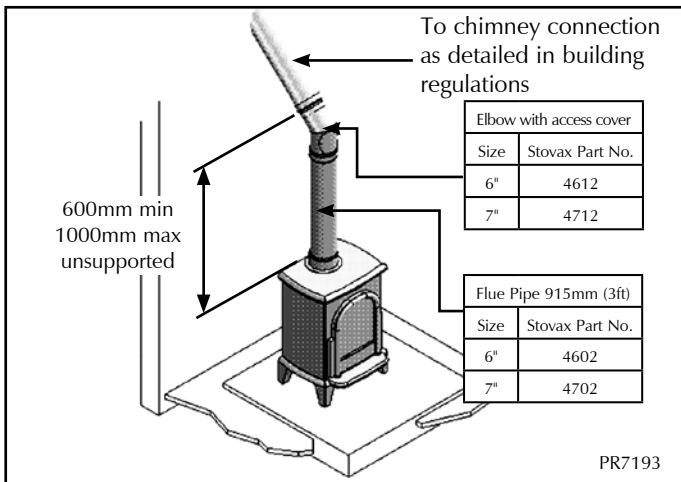
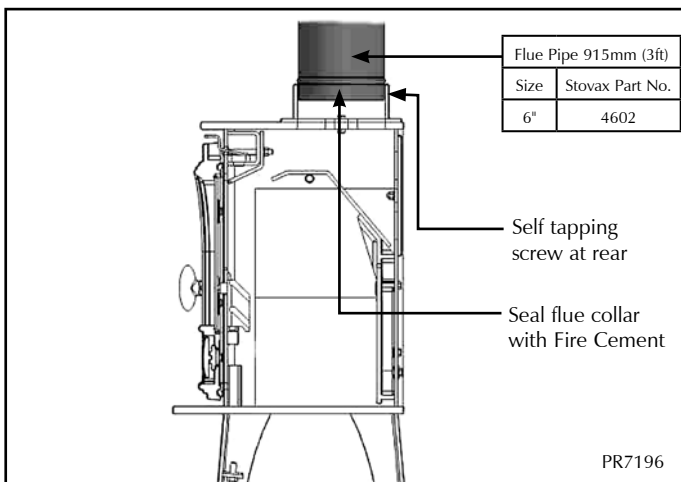
*Registered on the Competent Persons Scheme (GB only) see page 14 / INFO (Republic of Ireland).

**Health and Safety at Work Act 1974

INSTALLATION INSTRUCTIONS



The Flue must be installed in accordance with manufacturers instructions.



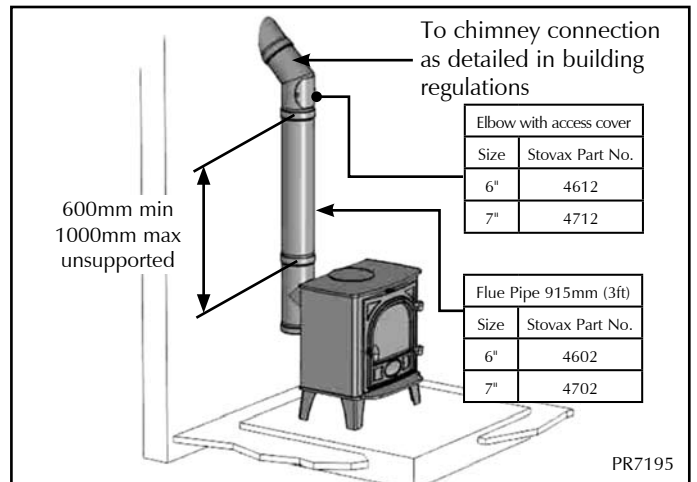
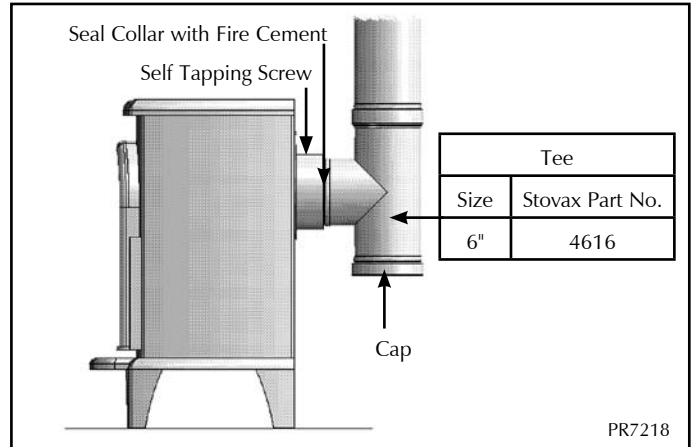
1.3 Rear flue pipe installation

- Insert a tee into the flue collar. The tee piece is used as cleaning access.
- Lift appliance into position taking care not to damage the hearth finish.
- Level using adjustable bolts.

- Connect tee to the chimney using flue pipe.
- Secure with self tapping screw.
- Seal the connecting joints.

Do not use a 90° elbow to make this connection.

The Flue must be installed in accordance with manufacturers instructions.



INSTALLATION INSTRUCTIONS

2. REMOVAL OF THE LOG GUARD

2.1 To remove the Log guard:

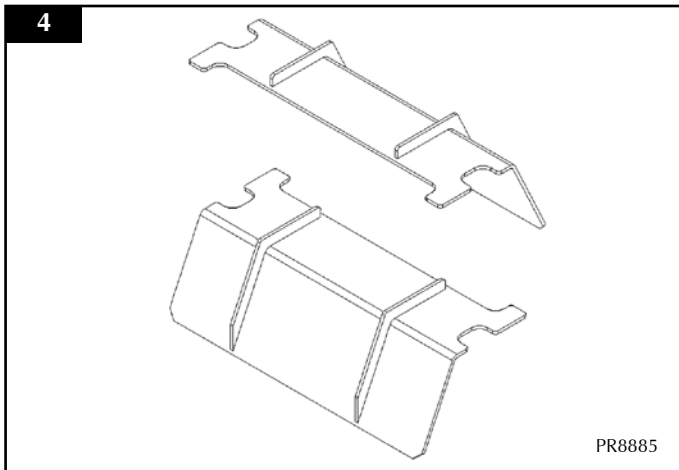
- Lift Log Guard clear of the supporting brackets.
- Rotate to clear the sides of the door opening.

Do not use appliance without the log guard in position.

3. FITTING AND REMOVAL OF THE BAFFLE

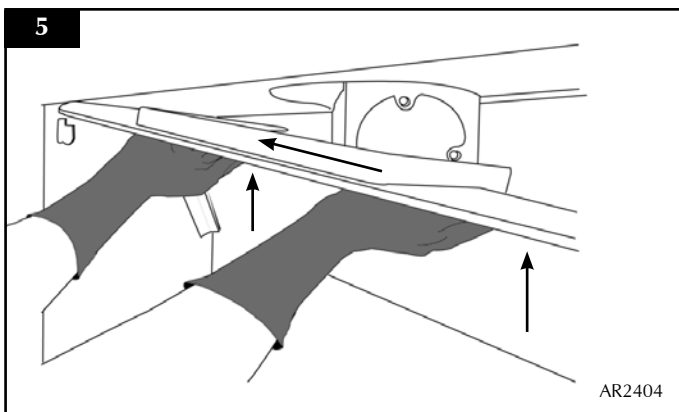
No tools are required.

3.1 To maintain efficient combustion the appliance is fitted with a baffle system that allows for secondary combustion (see Diagram 4).



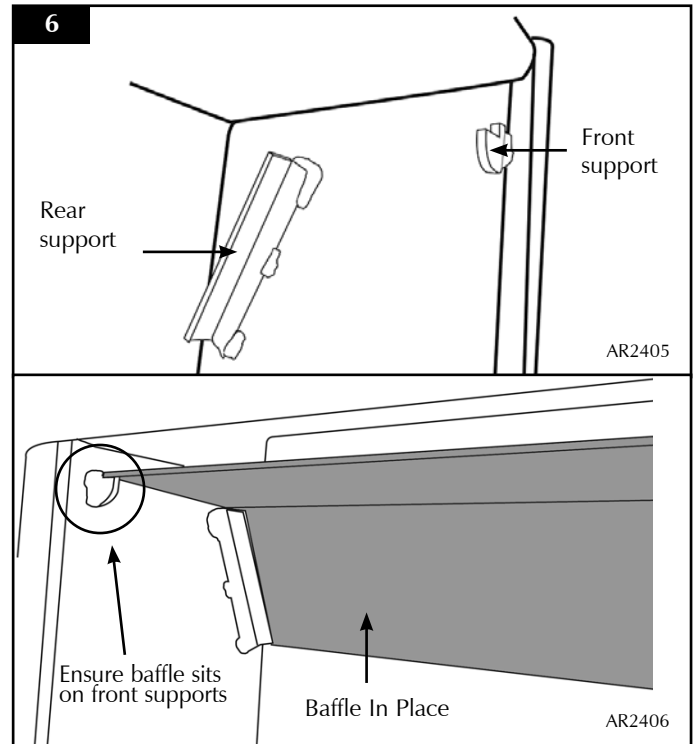
3.2 First remove the log guard from the stove to give access to the firebox.

3.3 Use both hands to lift the baffle vertically and slide to one side (see Diagram 5). Always wear gloves when handling appliance parts.



- Using both hands rotate the baffle to remove from the firebox through the door opening.

3.4 To replace the baffle repeat the above steps in reverse, ensuring the baffle fits over the supports on the sides of the interior (see Diagram 6).



Do not modify the baffle.

INSTALLATION INSTRUCTIONS

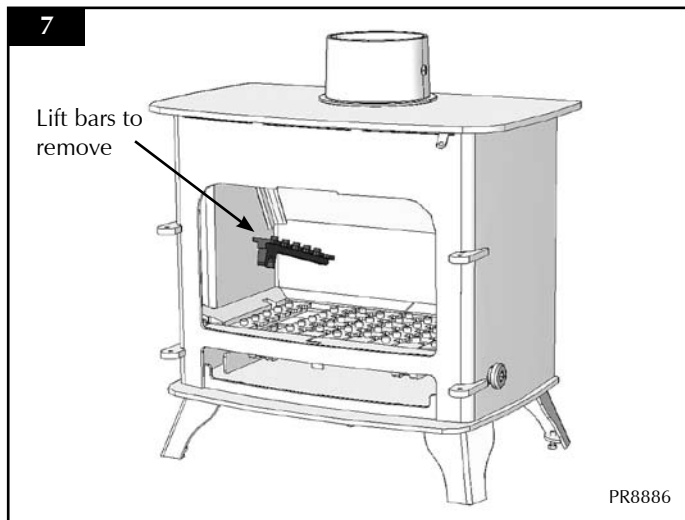
4. FITTING AND REMOVAL OF THE MULTI-FUEL GRATE

4.1 The multi-fuel grate can be removed for cleaning to maintain good working condition.

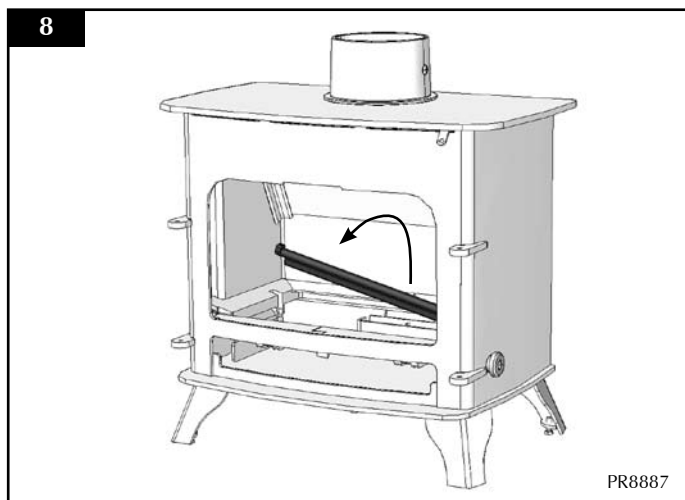
To remove the grate:

- Remove the baffle (see Section 3).
- Remove the log guard to enable access (see Section 2).
- Remove the ashpan.
- Remove the riddling bars (see Diagram 7).

FOR CLARITY, THE FOLLOWING DIAGRAMS DO NOT INCLUDE ILLUSTRATIONS OF THE DOORS.

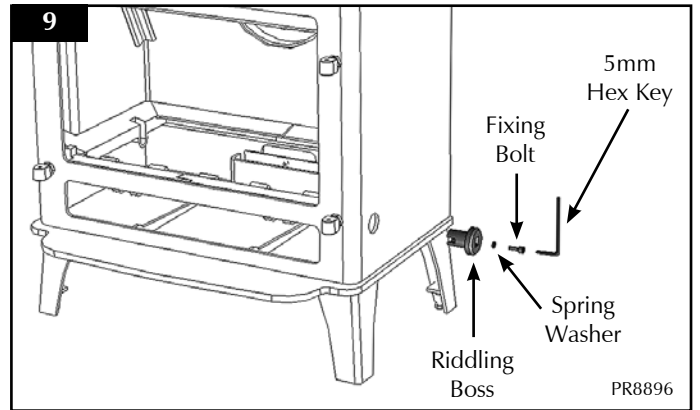


- Remove Rear Bar (see Diagram 8).

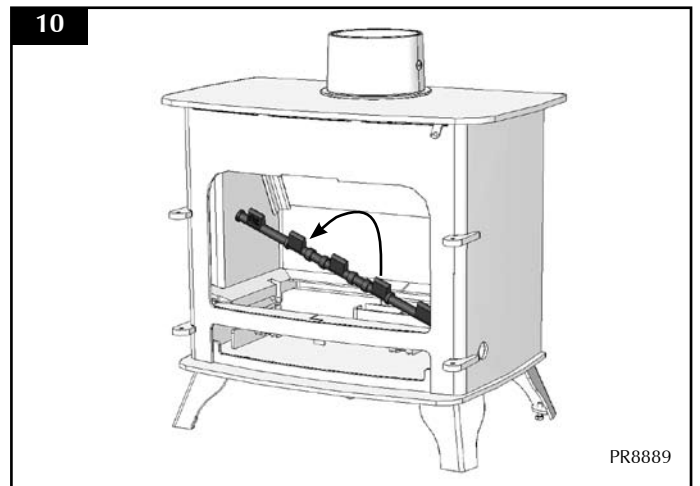


To remove the Riddling Boss:

- Use the 5mm hex key as shown in Diagram 9.

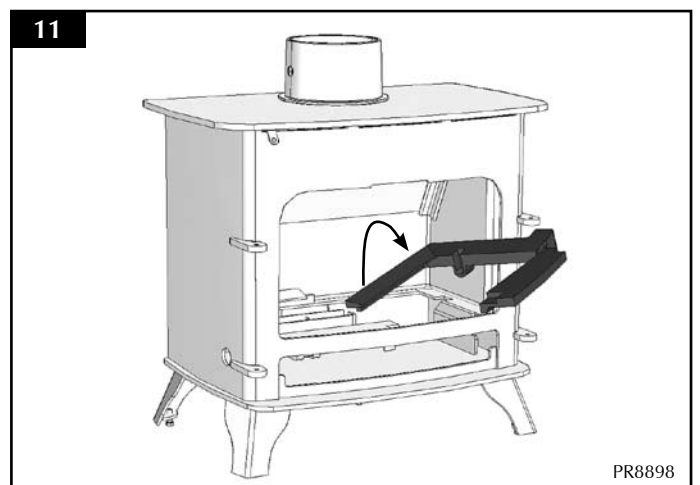


- Unscrew the boss.
- Remove Riddling Cam Bar (see Diagram 10).



To remove Multi-fuel frames:

- Lift frames from the front.
- Remove right hand side first through the front of the stove.
- Repeat for the left hand side.



- Replace in reverse order.

INSTALLATION INSTRUCTIONS

CENTRAL HEATING SYSTEM

1. General

This appliance gives out heat in two ways:

- Directly into the room in which it is fitted through convection and radiation.
- Hot water to heat radiators and domestic hot water.

The installation must comply with building regulations and use best practice advice.

2. Boiler Sizing

- 2.1 It is very important to determine the correct size of appliance for the house:
- Too big a boiler will run too hot and will not be efficient.
 - Too small a boiler will not maintain the desired temperature.

- 2.2 Size the boiler correctly by calculating the following heat loads:

RADIATORS - the amount of heat required to run the radiators efficiently. The correct size of radiator depends on the required temperature for the room, the room heat losses and the radiator manufacturer's guides.

HOT WATER - the amount of heat required to provide the desired amount of domestic hot water.

LOSSES – the amount of heat lost in pipe work - typically 10% of the combined radiators and hot water loads. There are national guidelines for calculating these figures*.

- 2.3 Careful consideration must be given to where the appliance is fitted. It must be sized correctly for the heat load required and the size of the room. These requirements can be found in the *Technical Specifications*.
- 2.4 All Yeoman appliances are thermostatically controlled. The burning rate is adjusted to the demands of the connected heat load. If the radiators do not require heat then the thermostat will act to shut down the appliance and the direct heat output to the room where it is fitted will reduce (see heat output graph on page 15 to show the ratio between direct heat output and water heat output). To prevent the room becoming too cold, fit a thermostatically controlled radiator as well as the appliance.

3. Hot Water Cylinder

- 3.1 The domestic hot water cylinder must be an indirect vented double feed type to meet national standards** and should have a minimum capacity of 117 litres. Houses with more than one bathroom or a separate shower will need a bigger tank.

Fully insulate the tank.

The water draw off pipes to the taps should be in a dead leg connection from the vent pipe.

4. Open Vent And Cold Feed System

- 4.1 This system must be fitted with a minimum of 22mm diameter open vent discharging into a heat resisting feed and expansion tank. There must be at least 25mm air gap between the end of the pipe and the water level. The cistern tank should have an overflow with a minimum diameter of 22mm

The cold feed must be a minimum 22mm and enter the system as the last connection on the common boiler return.

The open vent and cold feed must not be fitted with any valves, manual or automatic.

Do not use plastic pipe in any part of the flow and return.

5. Heat Leak Radiator

- 5.1 A heat leak radiator must be fitted in the gravity circuit to dissipate any excess heat produced from the boiler when connected demand is low. The domestic hot water cylinder may not be able to disperse heat at all times due to modern insulation. This radiator is commonly fitted in the bathroom and should be rated at 2kW (6500 btu) or 10% of the total boiler output.

This radiator ensures that the appliance is not shut down completely for long periods resulting in the fire going out.

Fit the heat leak radiator in the gravity circuit using 22mm pipe reducing to 15mm for no more than 300mm before the radiator.

Fit the radiator with two 'lock-shield' valves that are set in the fully open position and cannot be shut down. Use diagonal connections. Do not fit thermostatic valves or manually adjustable valves to the heat leak radiator.

In the UK:

* See BS 5449:1

** See BS1566 Part 1 grade 3 minimum

INSTALLATION INSTRUCTIONS

6. Pump

- 6.1 Where a pump is fitted into the circuit it should be adjustable so that the flow can match the system requirements. Fit isolation valves to enable removal for servicing. The pump must have at least 1.5 meters of static head.

7. Electrical Supply

- 7.1 Electrical connections must meet the requirements of national Building Regulations* and standards**, along with any European, local regulations and working practices that may apply. Should conflict occur between these instructions and these regulations then the regulations must be followed.

The connection to the mains supply should allow complete electrical isolation and only serve the heating circuit pump.

All water connections should be completed by a competent person to meet the requirements of local water authority by-laws.

CONVENTIONAL PIPE WORK SYSTEMS

All pipe work must be able to operate at above 100 degrees Celsius. Any pipe work installed in an exposed position e.g. loft space must have provision to prevent freezing.

Ensure the pipe work system has sufficient drain points to enable the complete removal of water for the purposes of servicing.

8. Gravity Pipe Circuit

- 8.1 To prevent the risk of boiling it is essential to arrange the pipe work and position the hot water cylinder and heat leak radiator so that gravity circulation can take place when the pump is not running. Position the cylinder and the radiator vertically above the boiler with sufficient height to encourage gravity flow.
- 8.2 Horizontal pipe work in a gravity system must have an incline of at least 5mm in every 1000mm and a minimum diameter of 28mm. Vertical pipe must have a minimum diameter of 22mm.
- 8.3 Any motorised valves fitted in this circuit must return to the fully open position when the power is interrupted.

9. Pump Assisted Central Heating

- 9.1 The most common arrangement is to have a pumped central heating circuit combined with a gravity hot water circuit. This arrangement requires careful balancing of the two in order to avoid the gravity circuit being starved when the pump is running.

To overcome this problem it is common practice to fit an injector tee where the pumped central heating return re-joins the gravity return from the hot water cylinder. This injector tee induces a much stronger gravity flow when the pump runs.

Only use proprietary injector tees, homemade ones are difficult to get right.

- 9.2 When installing a system that has pumped central heating and gravity hot water it is recommended to use all 4 boiler tapings. Each flow and return should be diagonally opposite each other.

10. Fully Pumped System

- 10.1 In many installations (especially new build) a fully pumped system is the best choice to give increased control.

WARNING - To prevent the risk of boiling it is essential to arrange the pipe work and position the hot water cylinder and heat leak radiator so that gravity circulation can take place when the pump is not running. Any motorised valves fitted in this circuit must return to the fully open position when the power is interrupted.

11. Sealed (Pressurised) System

- 11.1 Do not fit this appliance to sealed or pressurised systems or an unvented hot water cylinder.

12. Pipe work Diagrams

- 12.1 See over for a typical layout of a pumped central heating and gravity hot water circuit.

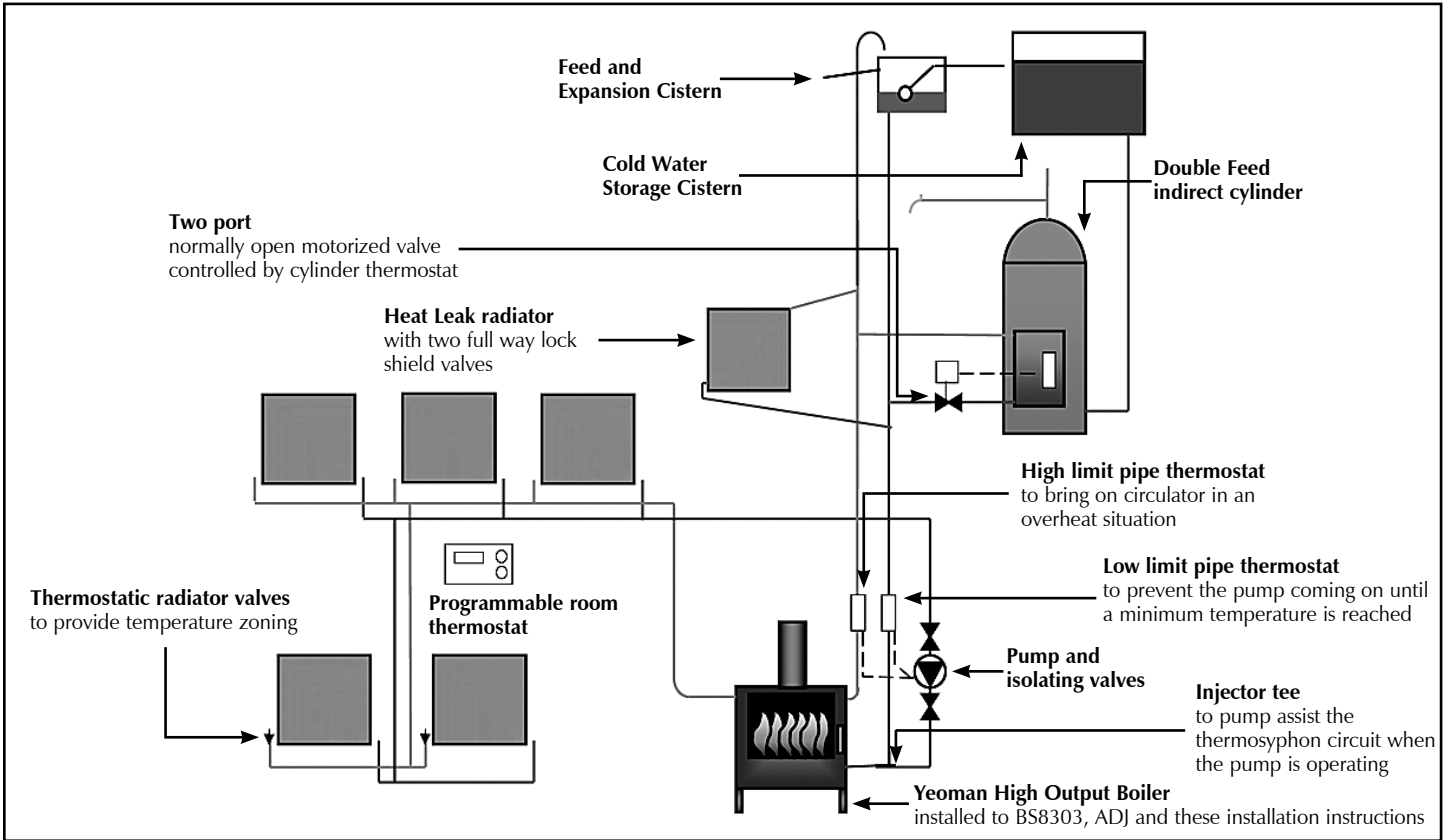
In the U.K:

* England and Wales – Document P / Scotland - Part N, Building Regulations,

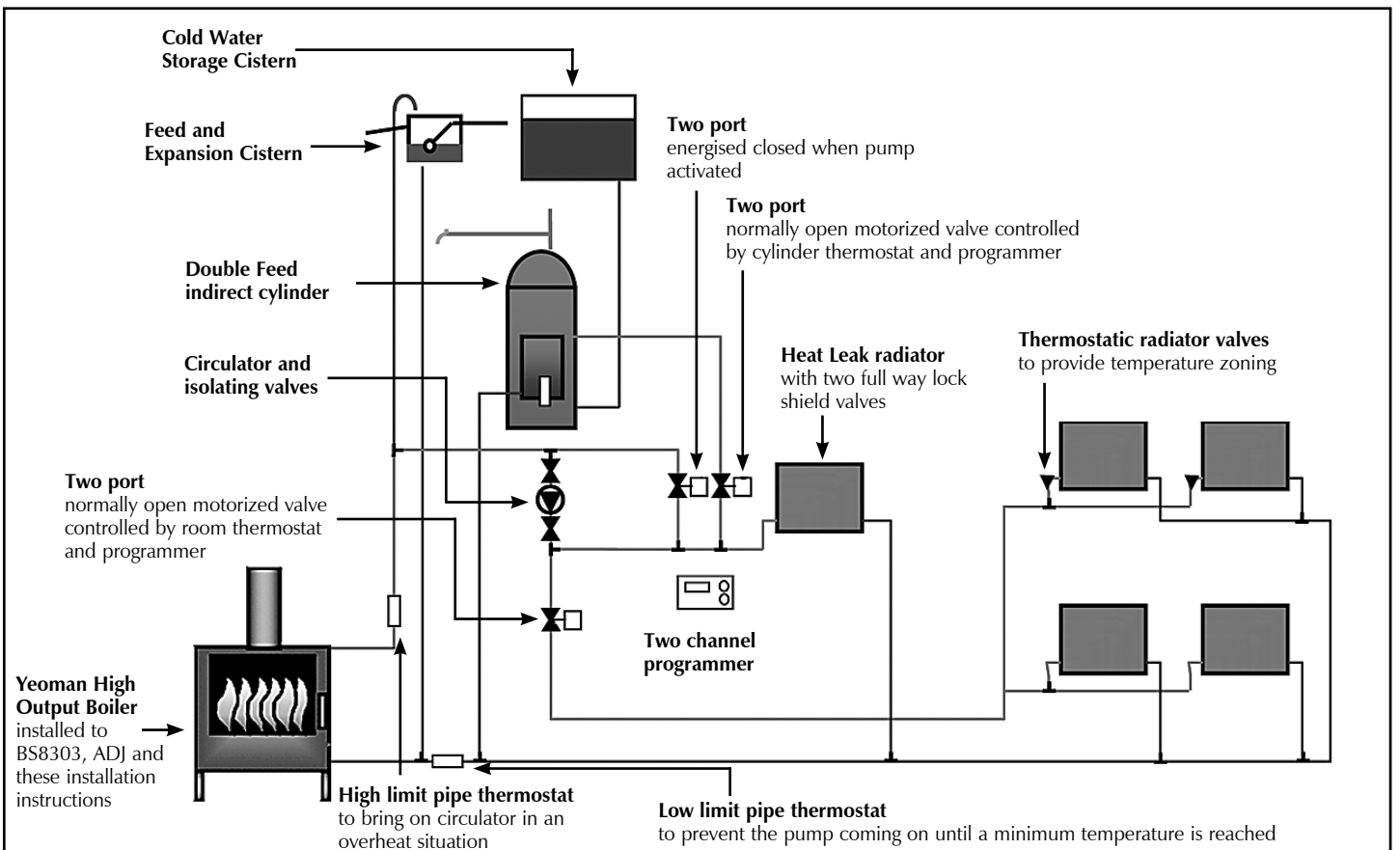
** Registered body: HETAS (GB only)/INFO (Republic of Ireland)

INSTALLATION INSTRUCTIONS

See below typical layout of a pumped central heating hot water circuit with gravity.



See below typical layout of a fully pumped central heating and hot water circuit.



INSTALLATION INSTRUCTIONS

HEATING SYSTEM CONTROLS

CONTROLS GENERAL

1.1 The controls fitted to the system will provide two functions:

- To control the comfort level in the house.
- To maintain safety in the event of misuse or mechanical failure.

COMFORT CONTROLS

1.2 This primarily consists of a time clock wired into the pump. The pump is switched on when heat is required and when it is not, the pump is switched off.

The time clock, when combined with a room thermostat and or thermostatic radiator valves, enhances the comfort levels in the house.

Some room thermostats combine the function with the time clock and can be programmed to reduce the room temperature rather than turning the system off. This is effective in not allowing the rooms to become too cold and speeding up recovery time.

1.3 The hot water cylinder can also be fitted with a thermostatic valve which turns off the flow when the cylinder has reached the desired temperature but the heat leak radiator will have to be bigger to cope with the extra load when the tank is isolated.

SAFETY CONTROLS

1.4 This primarily consists of a high limit thermostat fitted to the gravity flow pipe set at 80°C, this thermostat should be connected to the pump so that the pump is turned on if the temperature exceeds 80°C. This will prevent accidental boiling in the gravity circuit.

1.5 It is also recommended to fit a low limit thermostat on the central heating return set at 45°C, this thermostat will turn the pump off if the return temperature falls below 45°C. This will prevent corrosion and condensation within the stove.

CONDENSATION

1.6 When filling the boiler with water for the first time, the cold water entering the water jacket can cause condensation to form on the surfaces of the appliance (inside and outside).

1.7 In certain conditions this condensation could result in a considerable amount of water, in some cases enough to fill the bottom of the appliance. This could be even worse if the house has recently been re-decorated, wet plastered or any other work has been undertaken which could result in high humidity.

1.8 Precautions must be taken to ensure that this build up of condensate does not overflow from the appliance onto any surrounding fabric of the room e.g. carpets.

**NOTE - THIS CONDENSATION IS NORMAL DURING FILLING AND DOES NOT INDICATE A FAULTY OR LEAKING STOVE.
NORMAL RUNNING**

1.9 During normal running this condensation should be minimal if the system is fitted with the low limit thermostat as detailed in 1.22 (above). This low limit thermostat prevents the system pump from running until the stove has reached temperature.

SEASONAL USE

1.10 If this appliance is unused for lengthy periods of time it should be periodically checked to ensure that condensation is not building up within the stove.

NOTE – THIS CONDENSATION IS NORMAL AND DOES NOT INDICATE A FAULTY OR LEAKING STOVE.

If the stove is going to be unused for very long periods of time it is recommended to drain the system.

NOTE – Further information on solid fuel central heating systems can be found in the HETAS engineers training manual.

LINK UP SYSTEMS

For information on how to link solid fuel boilers to other heating appliances see Information For Dual System Link Up Methods (PM286). This can be obtained through Stovax.

Call (01392) 474011, email info@stovax.com or visit www.stovax.com for details.

Always seek the advice of a competent person* before linking another heating system to a solid fuel boiler.

In the U.K:

* Registered body: HETAS (GB only)/INFO (Republic of Ireland)

COMMISSIONING

COMMISSIONING

- 1.1 To commission:
- Replace the log retainer.
 - Check the door alignment and catch operation, adjust if required, see Installation Instructions, Section 6, Adjusting Door Hinges.
 - Check the soundness of door seals, castings and joints.
 - Check the operation of the air controls.
 - Ensure the system has been filled with water and includes a suitable inhibitor.
- 1.2 Now carry out a final smoke draw test:
- First warming the flue with a blowlamp, or similar, for about 10 minutes.
 - Place a smoke pellet on the centre of the grate, with the air controls open.
 - Close the door. Smoke should now be drawn up the flue and be seen to exit from the flue terminal.
 - Complete test with all doors and windows closed in the room where the appliance is fitted.
 - If there are any extractor fans in adjacent rooms, the test must be repeated with the fans running on maximum and interconnecting doors open.
 - Check the effect of ceiling fans during the test.

If the test fails, re-check the suitability of the flue system and ventilation. An inadequate air supply to the room is potentially dangerous.

- Light the appliance and slowly increase the temperature to operating levels.
- Ensure no combustion products enter the room.
- Open the main fire door when the appliance reaches operating condition and carry out a spillage test with a smoke match or pellet around the door opening.
- Run the system up to temperature.

BALANCING THE SYSTEM

It is essential to balance the central heating system in order to achieve an even heating performance across all of the radiators in the house. Balanced means each radiator having a 10°C difference in temperature between the flow and the return, ideally 80°C flow and 70°C return.

Have the system running and adjust the appliance thermostat so that the flow temperature measured near the appliance is approximately 80°C. Ensure that all valves including lock-shield valves are in the fully open position and the pump is at its estimated correct speed. If there are thermostatic radiator valves, have these on maximum setting and ensure that they do not activate.

Ensure that the radiators have been bled of air.

Write down the return temperature of each radiator in turn and its difference to the flow temperature at the appliance. Make sure that the flow temperature remains constant.

The radiator with the greatest difference (the index radiator) and any other radiator within 1 degree should be left with the lock-shield fully open. The remainder of the lock-shield valves should be closed to about 1/3 open. Leave the system to stabilise, this could take some time.

When the system has stabilised, write down the new difference between the flow and return temperatures and any which differ from the index radiator by more than 1 degree will need further adjustment, some valves will have been closed too much and others not enough, usually the adjustments need to be only a fraction of a turn at a time. Leave sufficient time for the system to stabilise after each adjustment.

When the radiator temperatures are starting to become consistent, but before final adjustments, the index radiator needs to be considered, if the return temperature of this radiator is not near 70 degrees then the pump will need to be adjusted to either provide more (to increase the temperature) or less flow to decrease the temperature. Again, sufficient time will need to be left to allow the system to stabilise after adjusting the pump speed.

When the radiator flow and return temperatures are correct the final adjustments can be made and the lock-shield covers replaced.

Knowing how far to shut down a valve to get the desired change in flow and return temperature, and knowing how long to wait for the system to stabilise, takes a little time and practice.

- 1.3 If excessive spillage occurs:
- Allow the appliance to cool and re-check the flue system and ventilation.
- 1.4 **Finally:**
- **Explain the safe operation of the appliance and the use of the controls to the user and the importance of only using suitable fuels.**
- All open flued appliances can be affected by temporary atmospheric conditions which may allow fumes to enter the house. Because of this it is recommended that an electronic carbon monoxide detector conforming to BSEN50291 be fitted and maintained.**
- **Explain the cleaning and routine maintenance requirements.**
 - **Explain the requirement to use a suitable fireguard when children, elderly or infirm persons are near the appliance.**
 - **Record dealer/supplier and installer details in Appliance Commissioning Checklist (page 3, Instructions for Use).**
 - **Record serial number in Appliance Commissioning Checklist (page 3, Instructions for Use).** This number is required when ordering spare parts and making warranty claims.
 - **Give the copy of the Instructions to the customer.**

MAINTENANCE and SERVICING

For a complete list of spare parts and accessories contact your Yeoman retailer or call 01392 474011

1. ANNUAL SERVICE

1.1 Before the start of the heating season strip, inspect and clean the appliance as detailed:

- Allow appliance to cool.
- Remove all internal parts; baffle, log guard and, for multi-fuel versions, grate system and ashpan (see *Installation Instructions, Sections 2, 3 & 4*).
- Sweep the flue at this point if necessary.
- Vacuum clean any remaining ash and debris from the inside of the appliance. Stovax offer a filter/collection attachment for vacuum cleaners to protect them from fire ash: Ash Clean (Stovax Part No. 2091).
- Clean the internal surfaces of the appliance using a wire brush and scraper as required. Vacuum and brush the resulting debris from the appliance.
- Clean the grate parts with a wire brush, and check the parts for any damage. Replace any damaged parts using genuine Stovax replacements parts (see below for details).
- Re-fit cleaned internal parts.
- Remove glass from door, discard all old rope seals and fit new (see *Maintenance and Servicing, Section 4*).
- Clean the door glass using Stovax Glass cleaner and a soft cloth. **Do not use abrasive cleaners on glass.**
- Do not use acidic cleaners on printed glass.**
- Fit new door rope seal (see *Maintenance and Servicing, Section 5*).
- Lightly oil the door catch mechanism and hinge pins. Avoid getting oil onto the door seals and glass.
- To refresh painted finishes use Stovax Thermolac paint.

1.2 Use genuine Stovax replacement parts to keep the appliance in safe, efficient working order. This is a list of the maintenance products that may need be required:

Task	Product name	Stovax Code Number
Glass cleaning	Stove glass cleaner (spray on)	4103
Preventing build-up of creosote in flue	Protector (15 sachets)	7002
	Protector (1kg tub)	7025
Sealing flue pipe joints	Fire Cement (500g tub)	2020
	Fire Cement (600g cartridge)	2021
Re-painting	Thermolac Black (400ml aerosol)	2019
	Thermolac Black (200ml brush-on)	2057
Cleaning matt black Appliances	Colloidal black (85ml)	7000
Protecting your hands	Heat resistant leather gloves	4008
Door sealing rope	14mm Black rope seal (handy pack)	5000
	14mm Black rope seal (25m reel)	4670
Glass sealing tape	3mm Black rope seal (handy pack)	4975
	3mm Black rope seal (25m reel)	4974
Thermic seal glue	(50ml bottle)	5037
Soft rope	10mm diameter	4965
Ash Clean	Vacuum Cleaner Attachment	2091

These products, available from your local Yeoman retailer, along with regular maintenance and use of correct fuels, will keep the appliance in the best possible condition.

- 1.3 For more information about the Stovax Group products please visit our web site at www.stovax.com
- 1.4 Burn at a low temperature for the first day of use after any maintenance. This allows the seals, fixing glues and paint to fully cure.
- 1.5 During this time the appliance may give off some unpleasant odours. Keep the room well ventilated to avoid a build-up of fumes.
- 1.6 Your Yeoman retailer can carry out service and maintenance.

MAINTENANCE and SERVICING

2. REMOVAL OF THE LOG GUARD

- 2.1 To remove the Log guard:
- Lift Log Guard clear of the supporting brackets.
 - Rotate to clear the sides of the door opening.
- 2.2 **Do not use appliance without the log guard in position.**

3. FITTING AND REMOVAL OF BAFFLE

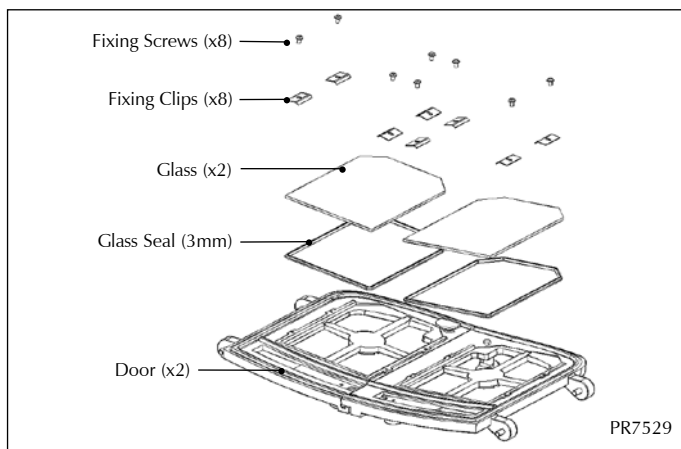
- 3.1 It is important to remove and clean the baffle system to ensure the flue ways are clear of soot and debris and to ensure the safe and efficient operation of the stove. The frequency of cleaning will depend on the stove operating conditions. See Installation Instructions, Section 4, Fitting & Removal of Baffle.
- 3.2 The baffle system is designed to give safe and efficient operation of the stove. Replace any damaged baffle immediately.

4. RIDDLING GRATE

- 4.1 See Installation Instructions, Section 4, Fitting and Removal of Grate.

5. FITTING A NEW DOOR GLASS

- 5.1 To maintain the safe use of your stove you may need to replace a damaged door glass.
- 5.2 To do this, remove the door, by opening and lifting the door free of the hinge blocks. Then lie the door face down on a soft flat surface, to protect the paintwork and glass.

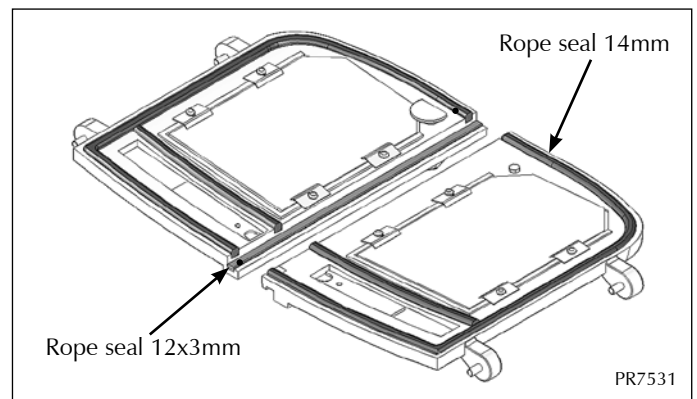


- 5.3 Using a screwdriver remove the glass clip fixing screws. The old glass can then be lifted clear of the door. (Note how the 3mm sealing rope is placed between the glass and the door.) Remember to dispose of the old glass safely.

- 5.4 Clean, and re-paint, the rear of the door if required. Clean the screws with light oil and coat with high temperature anti-seize grease, this will aid future removal.
- 5.5 Fit a new sealing rope between the new glass and the door, and place the glass into position in the door. Place the glass fixing clips into position and re-fix with the clean fixing screws, tighten the screws evenly until the clips hold the glass. Do not over tighten the clips as this could break the glass.
- 5.6 Fit only Yeoman ceramic glass, which is suitable to use in high temperature applications.
- 5.7 Using the stove with a damaged door glass could cause dangerous fumes to enter the room, or the stove to over-fire, resulting in damage.

6. FITTING A NEW DOOR SEAL

- 6.1 To maintain the safe use of your stove you may need to replace a damaged or worn door sealing rope. To complete this operation, use this method.
- 6.2 Remove the door from the stove, by opening and lifting the door free of the hinge blocks. Then lie the door face down on a soft flat surface, to protect the paintwork and glass.



- 6.3 Remove the old rope and scrape old glue from the locating grooves. Clean the locating groove with a clean dry cloth to remove all old dust and debris.
- 6.4 Squeeze a generous bead of fresh Stovax Thermic Seal glue into the rope locating grooves (part no. 5037). Press the new 14mm Stovax rope into the locating groove around the edge of the door with the ends of the rope reaching the straight edge of the door. Press the 12x3mm rope along the groove on the straight edge of the door ensuring it reaches both top and bottom of the door (this seal is only found on one door).
- 6.5 Refit the door and close the door to apply pressure to new rope. Leave the stove closed for at least 12 hours before lighting the stove and using at a low output for approximately one day.

MAINTENANCE and SERVICING

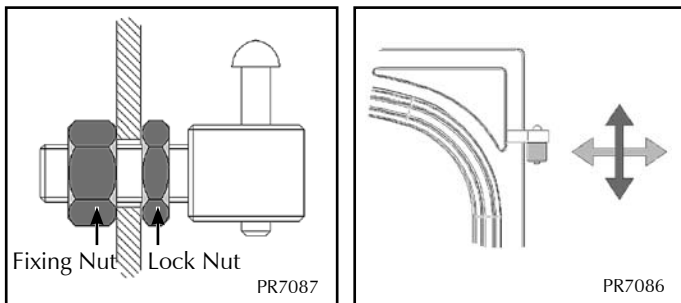
- 6.6 Using the stove with a damaged door seal could cause dangerous fumes to enter the room, or the stove to over-fire, resulting in damage.
- 6.7 If you require help, your local Yeoman retailer will be able to carry out all of your service and maintenance requirements for a reasonable cost.

7. ADJUSTING DOOR CATCH

- 7.1 To adjust the fit of the door catch rotate the door knob clockwise to loosen the fit or anti-clockwise to tighten the fit. This adjustment should be made in steps of one full turn of the door knob. The flat edge of the door cam should be parallel with the door opening on the stove body when the door is open.

8. ADJUSTING DOOR HINGES

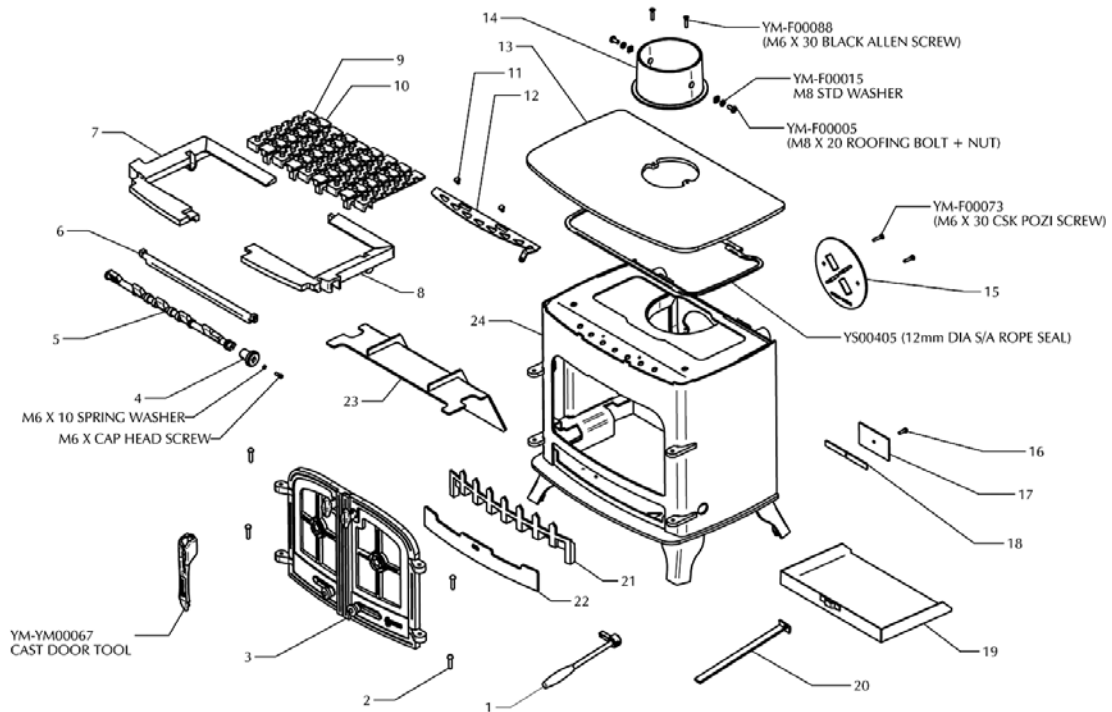
- 8.1 To maintain the safe use of your appliance, you may need to adjust the door hinges to ensure the door closes safely and correctly.
- 8.2 To complete this operation:
- Open the door to give access to the fixed part of the door hinge as shown.



- Use a 19mm A/F spanner to loosen the fixing nuts.
- Reposition the hinge blocks to achieve a correct fit. This may require several adjustments to find the correct position.

SPARE PARTS

DEVON 50



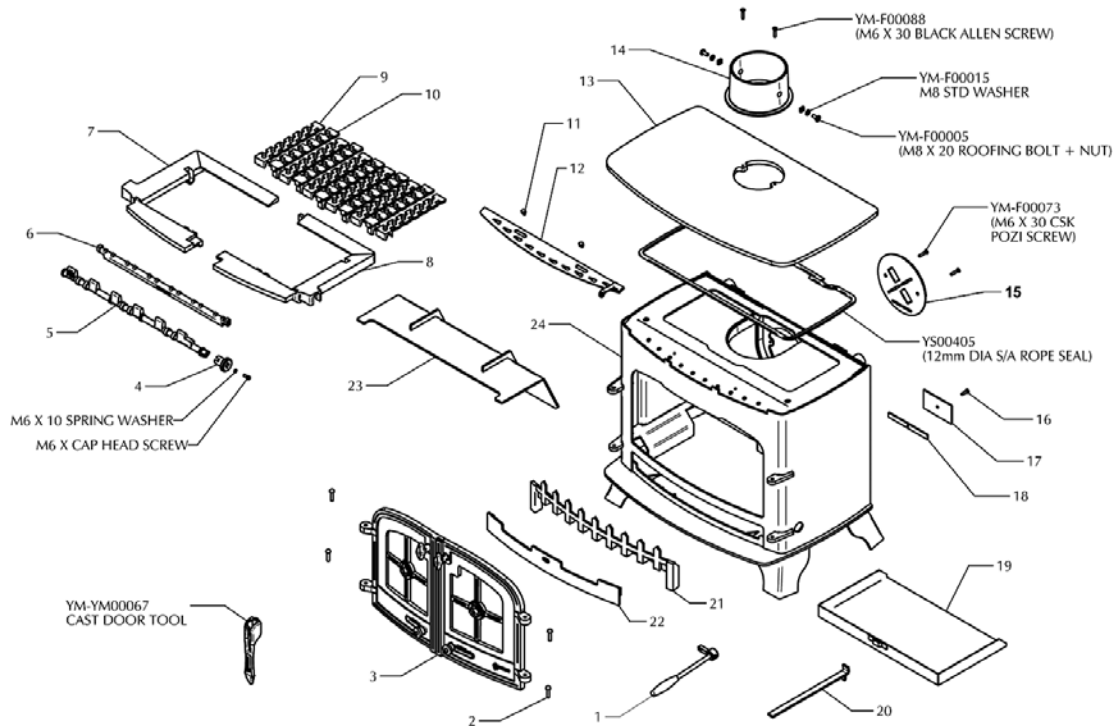
YM-W9202HB

PR8695

Ref. No.	Product Code	Drawing No. (if different)	Description
1	ST8-MEC8158	MEC8158	RIDDLING TOOL ASSEMBLY
2	YF00106		HINGE PIN
3	-	YM-YA2DDEVWD	DEVON TWIN DOOR ASSEMBLY
4	RVPX-CA7588	CA7588	MULTI-FUEL RIDDLING SOCKET
5	ST8-CA7584	CA7584	RIDDLING BAR
6	ST8-CA7500	CA7500	BACK RIDDLING BAR
7	YM-YM10057	YM10057	MULTI-FUEL RIDDLING GRATE LEFT HAND SIDE INFILL
8	YM-YM10056	YM10056	MULTI-FUEL RIDDLING GRATE RIGHT HAND SIDE INFILL
9	ST8-CA7480	CA7480	GRATE BAR - MOVING
10	ST8-CA7479	CA7479	GRATE BAR - FIXED
11	YM-B81309	YB81309	M6 AIRWASH SLIDER SCREW
12	-	YC81019	AIRWASH SLIDER
13	-	YM-A1031FL	FLAT TOP WELDED ASSEMBLY
14	YM-YM00545	YM00545	6" CAST FLUE SPIGOT
15	YM-YM00510	YM00510	6" CAST BLANKING PLATE
16	-	M0620HHS	M6 X 20 HEX HEAD SCREW
17	-	ME501805	THERMOSTAT BLANKING PLATE
18	-	ME501806	THERMOSTAT BLANKING BAR
19	YM-YA10003	YA10003	ASHPAN ASSEMBLY
20	YM-YA00006	YA00006	ASHPAN TOOL
21	YM-YM81080	YM81080	LOGBAR
22	-	YA10422-CE	DROP IN FRONT ASHCOVER ASSEMBLY
23	ST8-MEC8802	MEC8802	BAFFLE ASSEMBLY
24	-	YM-M1002AERA	BODY FABRICATION

SPARE PARTS

COUNTY 60



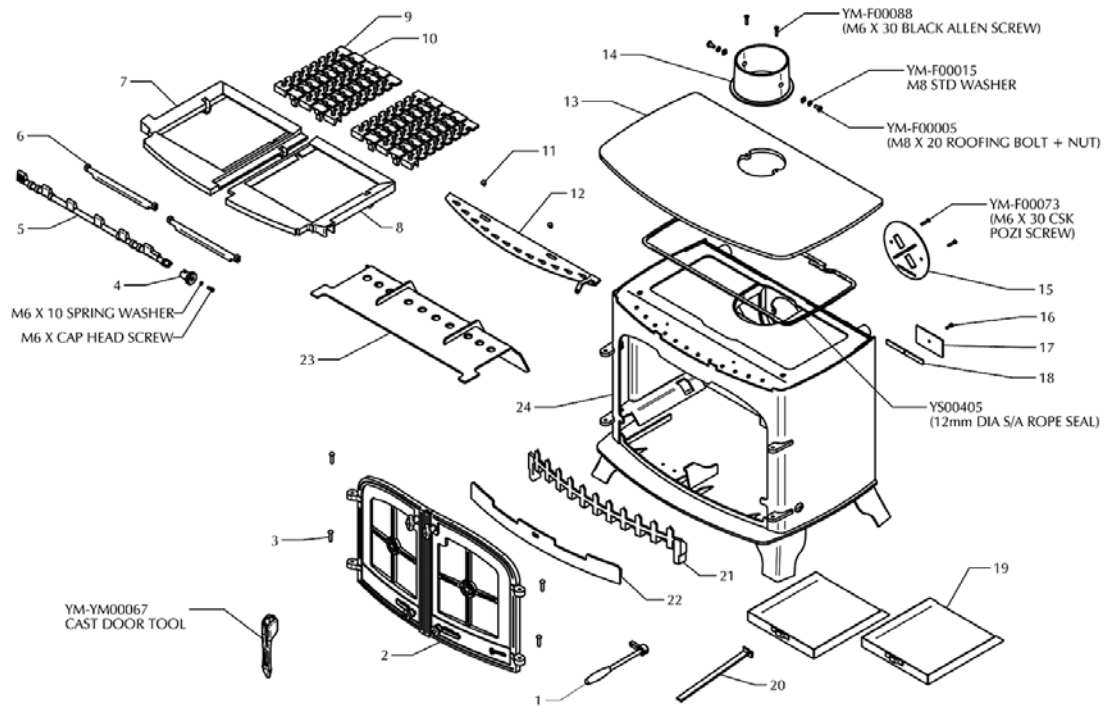
YM-W9302HB

PR8696

Ref. No.	Product Code	Drawing No. (if different)	Description
1	ST8-MEC8158	MEC8158	RIDDLING TOOL ASSEMBLY
2	YF00106		HINGE PIN
3	-	YM-YA2DCOUWD	2 DOOR ASSEMBLY
4	RVPX-CA7588	CA7588	MULTI-FUEL RIDDLING SOCKET
5	ST11-CA7585	CA7585	RIDDLING BAR
6	ST11-CA7503	CA7503	BACK RIDDLING BAR
7	YM-YM95057	YM95057	MULTI-FUEL RIDDLING GRATE LEFT HAND SIDE INFILL
8	YM-YM95056	YM95056	MULTI-FUEL RIDDLING GRATE RIGHT HAND SIDE INFILL
9	ST11-CA7486	CA7486	GRATE BAR - MOVING
10	ST11-CA7485	CA7485	GRATE BAR - FIXED
11	YM-B81309	YB81309	M6 AIRWASH SLIDER SCREW
12	-	YC05018	AIRWASH SLIDER
13	-	YM-A9531FL	FLAT TOP WELDED ASSEMBLY
14	YM-YM00545	YM00545	6" CAST FLUE SPIGOT
15	YM-YM00510	YM00510	6" CAST BLANKING PLATE
16	-	M0620HHS	M6 X 20 HEX HEAD SCREW
17	-	ME501805	THERMOSTAT BLANKING PLATE
18	-	ME501806	THERMOSTAT BLANKING BAR
19	YM-YA95003	YA95003	ASHPAN ASSEMBLY
20	YM-YA00006	YA00006	ASHPAN TOOL
21	YM-YM05080	YM05080	LOGBAR
22	-	YA95442	DROP IN FRONT ASHCOVER ASSEMBLY
23	ST11-MEC8803	MEC8803	BAFFLE ASSEMBLY
24	-	YM-M9502AERA	BODY FABRICATION (ADJUSTABLE HINGE)

SPARE PARTS

COUNTY 80



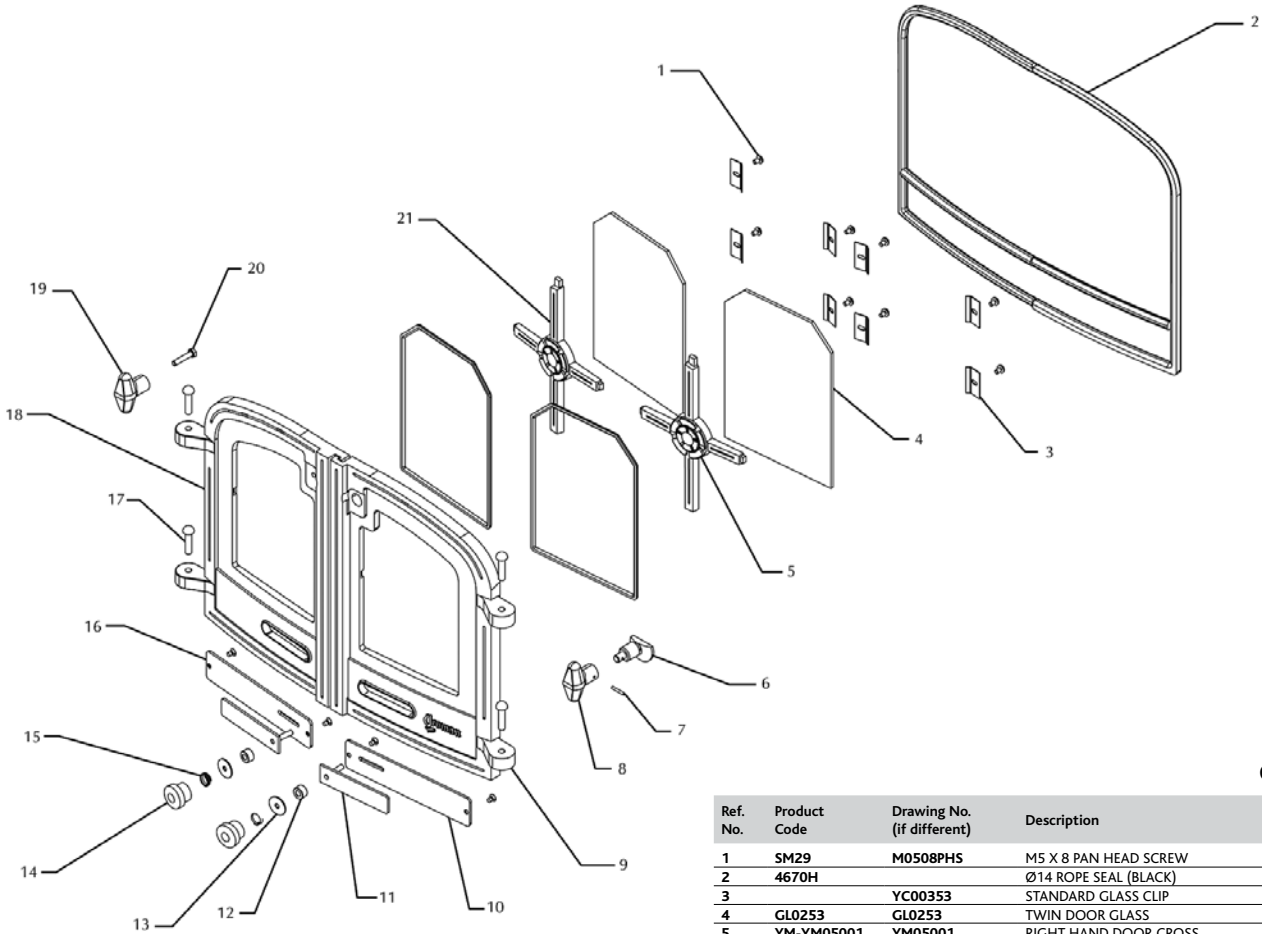
YM-W9902HB

PR8697

Ref. No.	Product Code	Drawing No. (if different)	Description
1	ST8-MEC8158	MEC8158	RIDDLING TOOL ASSEMBLY
2	-	YM-YA2DC14WD	DOOR ASSEMBLY
3	YF00106		HINGE PIN
4	RVPX-CA7588	CA7588	MULTI-FUEL RIDDLING SOCKET
5	ST11-CA7586	CA7586	RIDDLING BAR
6	ST11-CA7504	CA7504	BACK RIDDLING BAR
7	YM-YM99057	YM99057	MULTI-FUEL RIDDLING GRATE LEFT HAND SIDE INFILL
8	YM-YM99056	YM99056	MULTI-FUEL RIDDLING GRATE RIGHT HAND SIDE INFILL
9	ST11-CA7496	CA7496	GRATE BAR - MOVING
10	ST11-CA7495	CA7495	GRATE BAR - FIXED
11	YM-B81309	YB81309	M6 AIRWASH SLIDER SCREW
12	-	YA99018	AIRWASH SLIDER
13	-	YM-A9931FL	FLAT TOP WELDED ASSEMBLY
14	YM-YM00545	YM00545	6" CAST FLUE SPIGOT
15	YM-YM00510	YM00510	6" CAST BLANKING PLATE
16	-	M0620HHS	M6 X 20 HEX HEAD SCREW
17	-	ME501805	THERMOSTAT BLANKING PLATE
18	-	ME501806	THERMOSTAT BLANKING BAR
19	YM-YA95003	YA99003	ASHPAN ASSEMBLY
20	YM-YA00006	YA00006	ASHPAN TOOL
21	YM-YM99080	YM99080	LOGBAR
22	-	YA99442	DROP IN FRONT ASHCOVER ASSEMBLY
23	ST11-MEC8829	MEC8829	BAFFLE ASSEMBLY
24	-	YM-M9902AERA	BODY FABRICATION (ADJUSTABLE HINGE)

SPARE PARTS

DOOR ASSEMBLY (ALL MODELS)



COUNTY 60

Ref. No.	Product Code	Drawing No. (if different)	Description
1	SM29	M0508PHS	M5 X 8 PAN HEAD SCREW
2	4670H		Ø14 ROPE SEAL (BLACK)
3		YC00353	STANDARD GLASS CLIP
4	GL0253	GL0253	TWIN DOOR GLASS
5	YM-YM05001	YM05001	RIGHT HAND DOOR CROSS
6		YB00030	M18 DOOR CAM
7	YM-F00004	YF00004	SPIROL PIN Ø3 X 18 LG
8	YM-A9905	YC00228	RIGHT HAND MULTI-FUEL DOOR KNOB
9	YM-YM05907	YM05907	RIGHT HAND DOOR
10	N/A	N/A	NOT REQUIRED
11		YA00057	PRIMARY AIR SLIDER ASSEMBLY
12		YB00258	AIR SLIDER SPACER
13		YF00075	M6 X 25 PENNY WASHER
14		YB00158	SPRING AIR SLIDER KNOB
15	YM-F00258	YF00258	AIR SLIDER SPRING
16	N/A	N/A	NOT REQUIRED
17		YF00106	HINGE PIN
18	YM-YM05908	YM05908	LEFT HAND DOOR CASTING
19	YM-A9904	YC00128	LEFT HAND MULTI-FUEL DOOR KNOB
20			M6 X 30 HEX HEAD SET SCREW
21	YM-YM05101	YM05101	LEFT HAND TWIN DOOR CROSS

DEVON 50

Ref. No.	Product Code	Drawing No. (if different)	Description
1	SM29	M0508PHS	M5 X 8 PAN HEAD SCREW
2	4670H		Ø14 ROPE SEAL (BLACK)
3		YC00353	STANDARD GLASS CLIP
4		GL0251	TWIN DOOR GLASS
5	YM-YM81001	YM81001	RIGHT HAND DOOR CROSS
6		YB00030	M18 DOOR CAM
7	YM-F00004	YF00004	SPIROL PIN Ø3 X 18 LG
8	YM-A9905	YC00228	RIGHT HAND MULTI-FUEL DOOR KNOB
9	YM-YM81907	YM81907	RIGHT HAND DOOR
10	N/A	N/A	NOT REQUIRED
11		YA82057	PRIMARY AIR SLIDER ASSEMBLY
12		YB00258	AIR SLIDER SPACER
13		YF00075	M6 X 25 PENNY WASHER
14		YB00158	SPRING AIR SLIDER KNOB
15	YM-F00258	YF00258	AIR SLIDER SPRING
16	N/A	N/A	NOT REQUIRED
17		YF00106	HINGE PIN
18	YM-YM81908	YM81908	LEFT HAND DOOR CASTING
19	YM-A9904	YC00128	LEFT HAND MULTI-FUEL DOOR KNOB
20			M6 X 30 HEX HEAD SET SCREW
21	YM-YM81101	YM81101	LEFT HAND TWIN DOOR CROSS

COUNTY 80

Ref. No.	Product Code	Drawing No. (if different)	Description
1	SM29	M0508PHS	M5 X 8 PAN HEAD SCREW
2	4670H		Ø14 ROPE SEAL (BLACK)
3		YC00353	STANDARD GLASS CLIP
4		GL0261	TWIN DOOR GLASS
5	YM-YM99001	YM99001	RIGHT HAND DOOR CROSS
6		YB00030	M18 DOOR CAM
7	YM-F00004	YF00004	SPIROL PIN Ø3 X 18 LG
8	YM-A9905	YC00228	RIGHT HAND MULTI-FUEL DOOR KNOB
9	YM-YM99907	YM99907	RIGHT HAND DOOR
10	N/A	N/A	NOT REQUIRED
11		YA00057	PRIMARY AIR SLIDER ASSEMBLY
12		YB00258	AIR SLIDER SPACER
13		YF00075	M6 X 25 PENNY WASHER
14		YB00158	SPRING AIR SLIDER KNOB
15	YM-F00258	YF00258	AIR SLIDER SPRING
16	N/A	N/A	NOT REQUIRED
17		YF00106	HINGE PIN
18	YM-YM99908	YM99908	LEFT HAND DOOR CASTING
19	YM-A9904	YC00128	LEFT HAND MULTI-FUEL DOOR KNOB
20			M6 X 30 HEX HEAD SET SCREW
21	YM-YM99101	YM99101	LEFT HAND TWIN DOOR CROSS

SERVICE RECORDS

1ST SERVICE

Date of Service:.....

Next Service Due:.....

Signed:.....

Retailer's Stamp/HETAS Registration Number

2ND SERVICE

Date of Service:.....

Next Service Due:.....

Signed:.....

Retailer's Stamp/HETAS Registration Number

3RD SERVICE

Date of Service:.....

Next Service Due:.....

Signed:.....

Retailer's Stamp/HETAS Registration Number

4TH SERVICE

Date of Service:.....

Next Service Due:.....

Signed:.....

Retailer's Stamp/HETAS Registration Number

5TH SERVICE

Date of Service:.....

Next Service Due:.....

Signed:.....

Retailer's Stamp/HETAS Registration Number

6TH SERVICE

Date of Service:.....

Next Service Due:.....

Signed:.....

Retailer's Stamp/HETAS Registration Number

7TH SERVICE

Date of Service:.....

Next Service Due:.....

Signed:.....

Retailer's Stamp/HETAS Registration Number

8TH SERVICE

Date of Service:.....

Next Due:.....

Signed:.....

Retailer's Stamp/HETAS Registration Number

9TH SERVICE

Date of Service:.....

Next Due:.....

Signed:.....

Retailer's Stamp/HETAS Registration Number

10TH SERVICE

Date of Service:.....

Next Service Due:.....

Signed:.....

Retailer's Stamp/HETAS Registration Number



Yeoman

A division of Stovax

Stovax Ltd, Falcon Road, Sowton Industrial Estate, Exeter, Devon, England EX2 7LF

Tel: (01392) 474011 Fax: (01392) 219932 E-mail: info@stovax.com www.stovax.com