

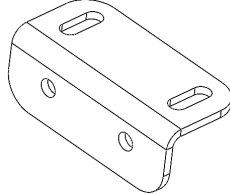
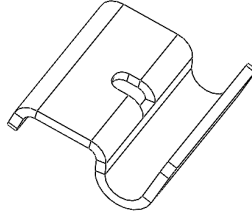
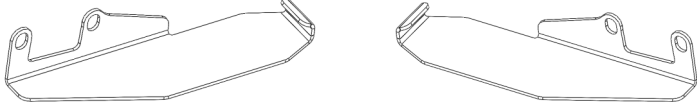

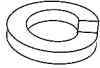
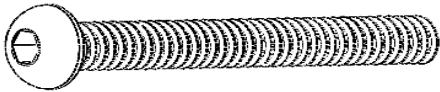

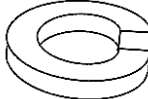
# Mitsubishi Triton Canopy

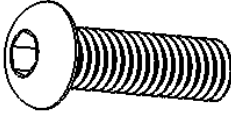
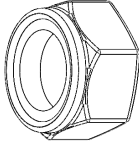
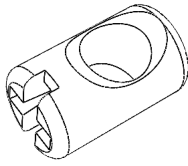

## Fitting Instructions

 Despatched by:
   
 \_\_\_\_\_

**Fitting Time:**
**30-60 mins**

### Despatch List:

ID#	DESCRIPTION	IMAGE	QTY
[1]	Front Mounting Bracket <i>(PRT-005923)</i>		<b>x2</b>
[2]	Bracket Thread Plate <i>(PRT-006473)</i>		<b>x4</b>
[3]	Tailgate locking Tab <i>(PRT-001724L)</i> <i>(PRT-001724R)</i>		<b>X1</b> <b>X1</b>
[4]	M6 Washer		<b>x4</b>
[5]	M6 Spring Washer		<b>x4</b>
[6]	M6x60mm Btn Head Bolt		<b>x4</b>
[7]	M8 Washer		<b>x10</b>
[8]	M8 Spring Washer		<b>x4</b>

ID#	DESCRIPTION	IMAGE	QTY
[9]	M8x25mm Btn Head Bolt		x8
[10]	M8 Nyloc Nut		x4
[11]	M6 Barrell Nut		x4
[12]	Jig (PRT-002018)		x1

**We recommend watching the installation video before attempting to install**

Enter this address into your web browser to view the fitting video:

**<https://bit.ly/4bLDIKu>**

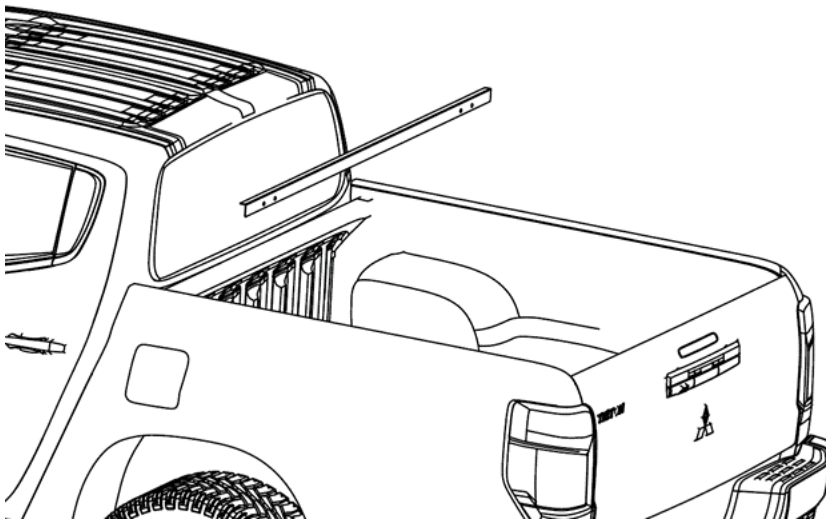


1



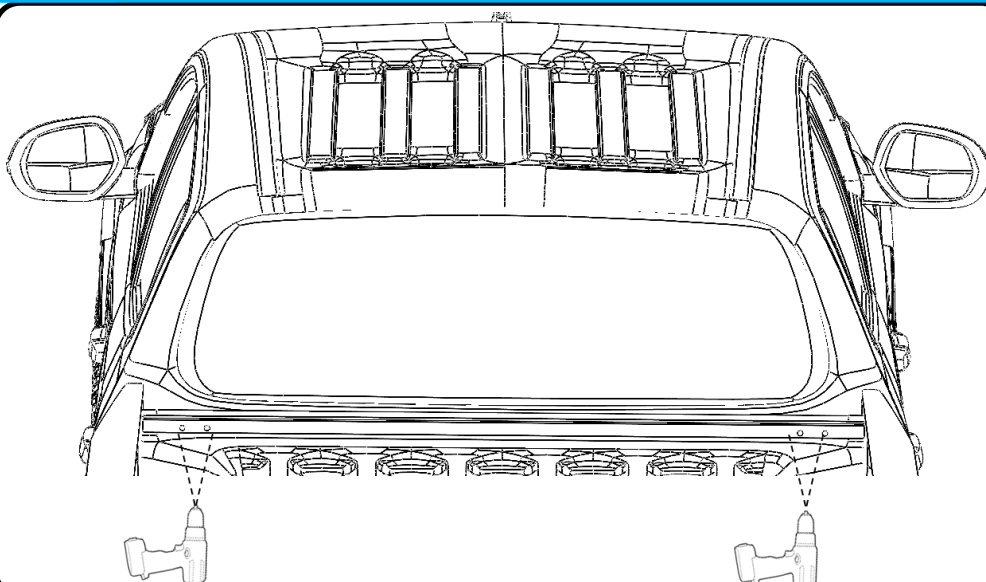
Remove the bolts from the rear corners of the wellside and keep them

2



If you have a liner installed on your tub, sit the provided jig **[12]** over the front edge and centred along the front

3



Mark the holes on the liner and drill through the jig and the tub with a 10mm drill bit. This should expose the threads in the front wall of the wellside

4



Install the provided brackets **[1]** to the front of the wellside using;

- [7]** 2x M8 Spring washers
- [7]** 2x M8 x 25 bolts

**Repeat this for both sides**

5



Lift the canopy onto the vehicle

6



Re-install the rear bolts through the canopy frame and the tub

**Repeat this for both sides**



7



Bolt the canopy through the pre-installed brackets using the following fasteners:

**[9]** 2xM8x25mm Btn Head Bolt

8



Hook the Bracket Thread Plate **[2]** through the two slots in the frame

9



Sit the barrel nut **[11]** under the Bracket Thread Plate **[2]**, lined up with the hole (as indicated below)

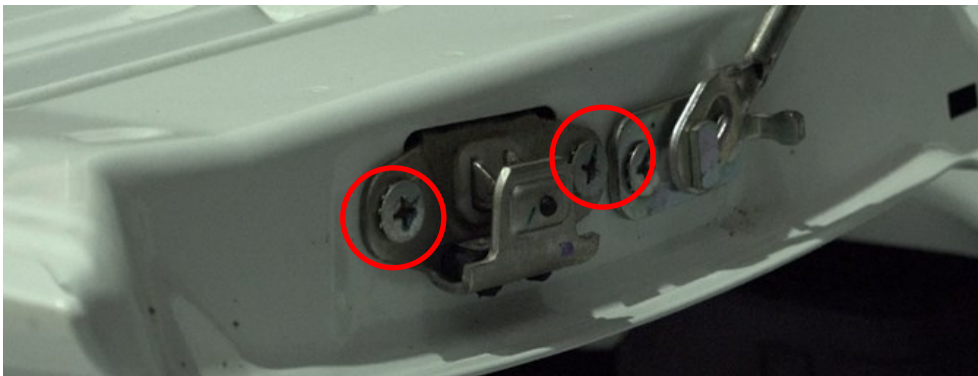
10



Bolt through the top face into the barrel nut, pulling the Bracket Thread Plate **[2]** using:

**[6]** 2xM6x60mm Btn-Head Bolt

11



Hook the clamps through the two slots in the frame

12



Sit the Tailgate locking Tab **[3]** in place as shown, bolt in place using the original bolts.

Ensure the bracket sits underneath the latches.

Your Ute Master canopy is now fully installed.