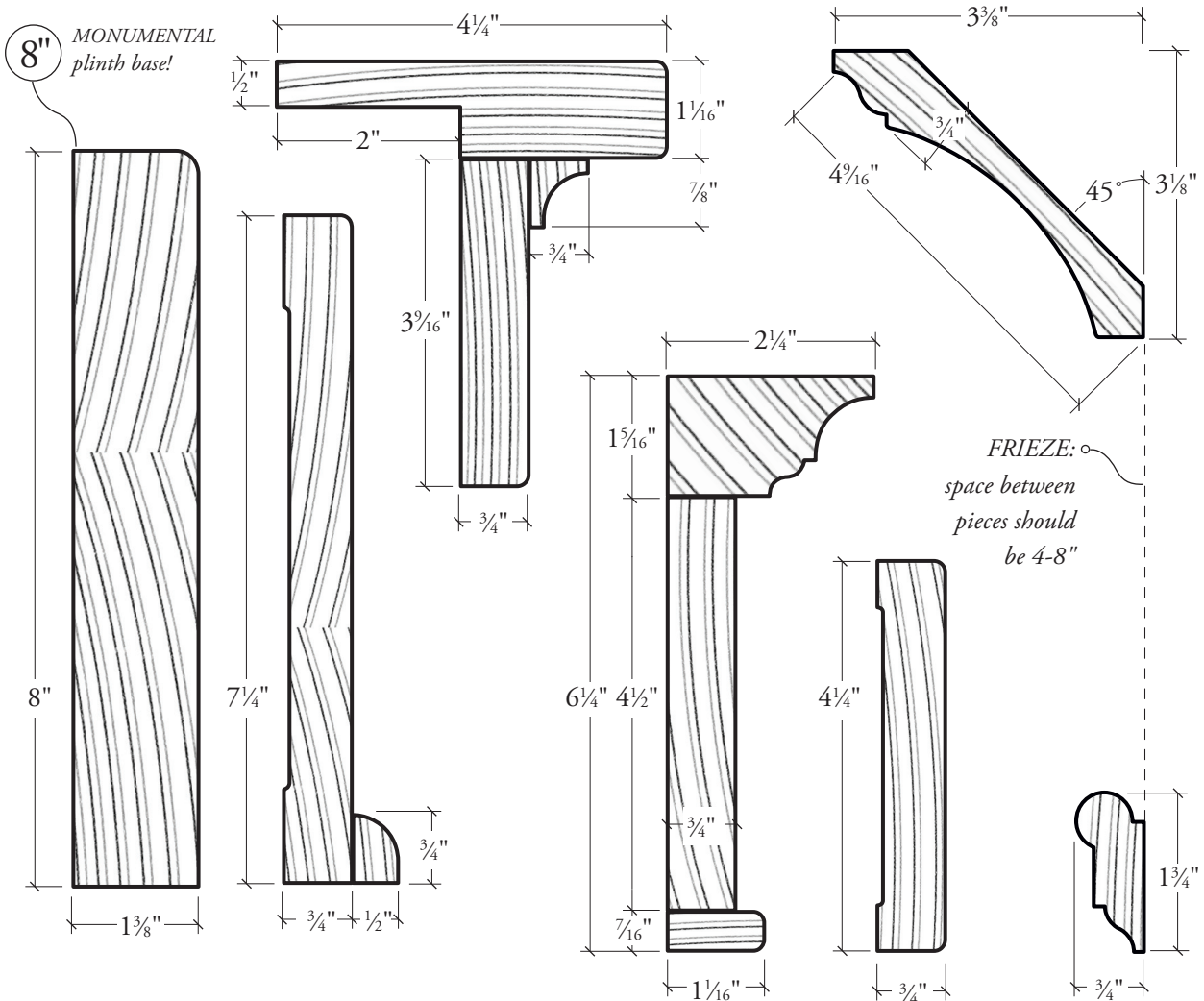


1/2

CLASSICAL CRAFTSMAN COLLECTION

SCALE



PROFILE	DESCRIPTION	PATTERN#	NET THICK	NET WIDTH	LENGTH
	Picture Mold	WOPM004	3/4"	1 3/4"	16'
	Base Shoe	WOBS001	1/2"	3/4"	16'
	Header Cap	WOHC001	1 5/16"	2 1/4"	16'
	Header-Frieze	1x5 S4SSE	3/4"	4 1/2"	16'
	Header-Stop	WOST001	7/16"	1 1/16"	16'
	Base Molding	WOBM003	3/4"	7 1/4"	16'
	Plinth	WOPB001	1 3/8"	8"	4 1/2" (36pc/box)
	Casing	WOCS003	3/4"	4 1/4"	17'
	Window Stool	WOWS002	1 1/16"	4 1/4"	16'
	Apron	WOCS004	3/4"	3 9/16"	17'
	Cove	WOCV001	3/4"	7/8"	16'
	Crown	WOCM005	3/4"	4 9/16"	16'