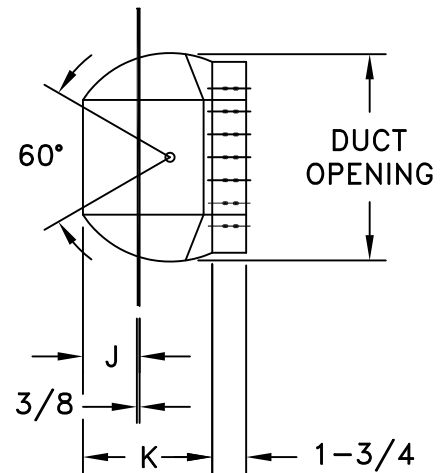
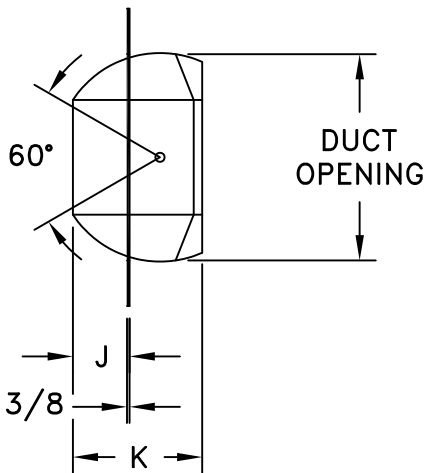
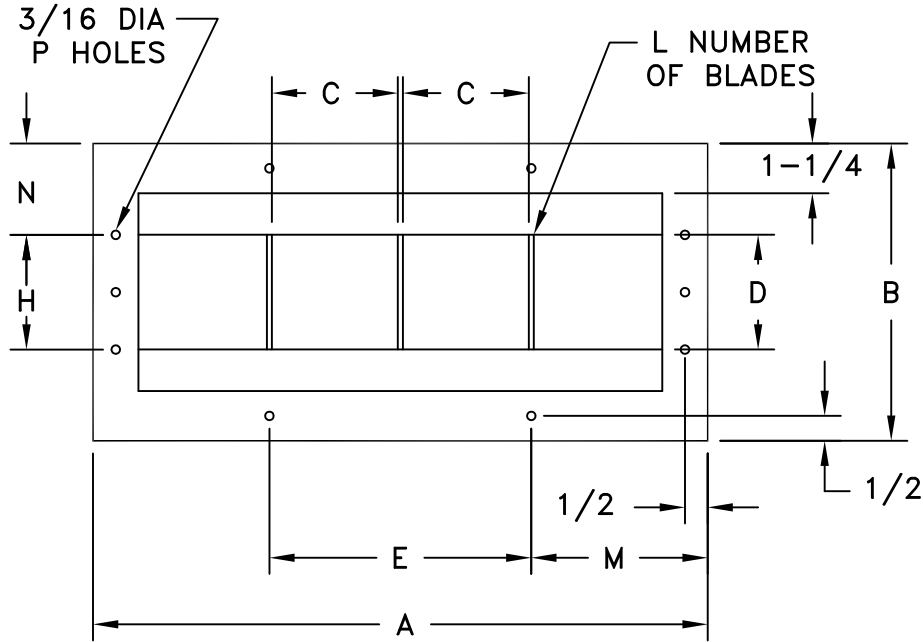


- ALUMINUM CONSTRUCTION WITH OPTIONAL GALVANIZED OBD
- ADJUSTABLE DRUM AND VANE DESIGN PROVIDES HORIZONTAL OR VERTICAL AIR STREAM AND THROW CONTROL
- AVAILABLE WITH OPTIONAL SCREWDRIVER OPERATED GALVANIZED OPPOSED BLADE DAMPER
- SIZES: 6, 10, 12 AND 15 INCH HEIGHTS WITH VARIABLE WIDTHS AVAILABLE
- FINISH: WHITE (W) OR MILL (M)



Listed Height Size	Duct Opening Height	Duct Opening Width
6	Listed Size Plus 5/8	Listed Size Plus 1-1/8
10	Listed Size Plus 3/8	Listed Size Plus 1-1/8
12	Listed Size Plus 3/8	Listed Size Plus 1-1/8
15	Listed Size Plus 3/8	Listed Size Plus 1-1/8

*See DGDS for dimensional details

JOB NAME: _____

LOCATION: _____

ARCHITECT: _____

ENGINEER: _____

CONTRACTOR: _____

SUBMITTED BY: _____

DATE: 4/26/11

DG
Drum Louver