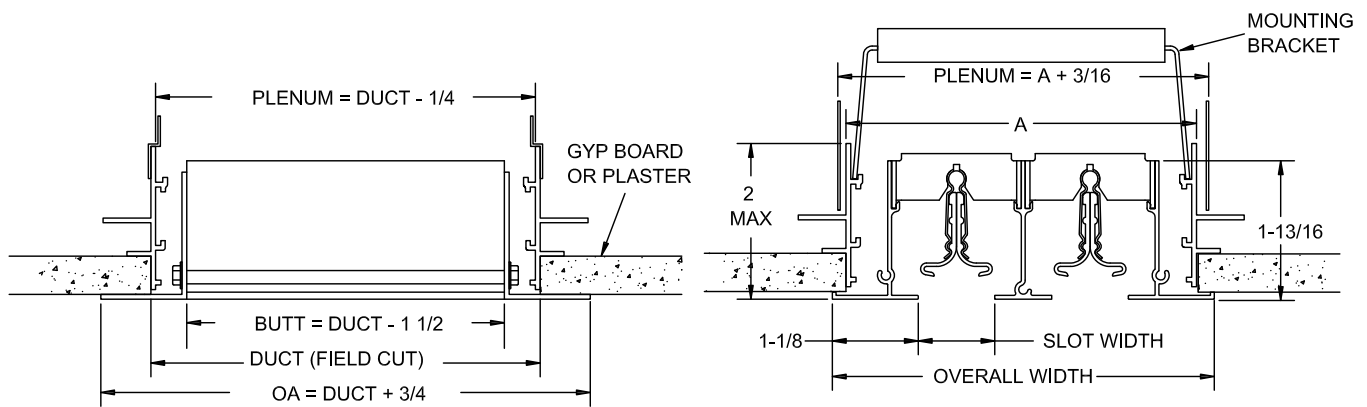


- EXTRUDED ALUMINUM CONSTRUCTION
- MINIMUM SIZE = 12 INCHES
- MAXIMUM SIZE = 72 INCHES ONE PIECE CONSTRUCTION
- MULTIPLE SECTIONS KEYED FOR PROPER ALIGNMENT
- DIFFUSERS AVAILABLE WITH ONE TO EIGHT SLOTS, WITH OR WITHOUT PATTERN CONTROLLER
- FINISH: WHITE (W) ENAMEL OR SATIN ANODIZED (SA)
- PATTERN CONTROLLER BLACK



- FOR CONCEALED MOUNTING WITH NON-FLUSH FRAME IN DRY WALL, PLASTER OR TILE
- CONTRACTOR TO FRAME OPENING TO INSURE STRAIGHT LINE INSTALLATION (TYPICAL ALL INSTALLATIONS)

| Dimension | Slot Width | Type | Number of Slots |       |       |       |       |        |        |        | Overall Width |
|-----------|------------|------|-----------------|-------|-------|-------|-------|--------|--------|--------|---------------|
|           |            |      | 1               | 2     | 3     | 4     | 5     | 6      | 7      | 8      |               |
| A         | 1/2        | 50   | 2               | 3 1/4 | 4 1/2 | 5 3/4 | 7     | 8 1/4  | 9 1/2  | 10 3/4 | A + 3/4       |
|           | 3/4        | 75   | 2 1/4           | 3 3/4 | 5 1/4 | 6 3/4 | 8 1/4 | 9 3/4  | 11 1/4 | 12 3/4 | A + 3/4       |
|           | 1          | 10   | 2 1/2           | 4 1/4 | 6     | 7 3/4 | 9 1/2 | 11 1/4 | 13     | 14 3/4 | A + 3/4       |

|                   |                     |  |            |
|-------------------|---------------------|--|------------|
| JOB NAME: _____   | SUBMITTED BY: _____ | DATE: 05/07/2019   | AM-ESCD E2 |
| LOCATION: _____   |                     | <b>S SERIES</b><br>Slot Diffuser<br>Margin E2-Surface Mount with<br>Dry wall Frame |            |
| ARCHITECT: _____  |                     |  |            |
| ENGINEER: _____   |                     |  |            |
| CONTRACTOR: _____ |                     |  |            |