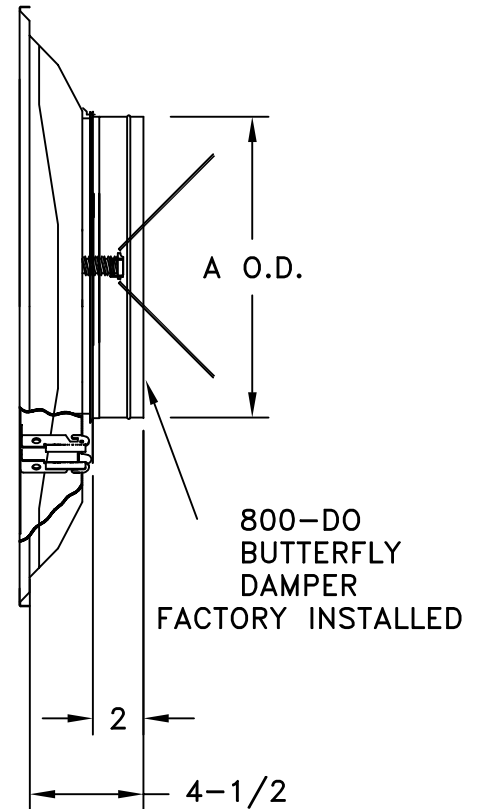
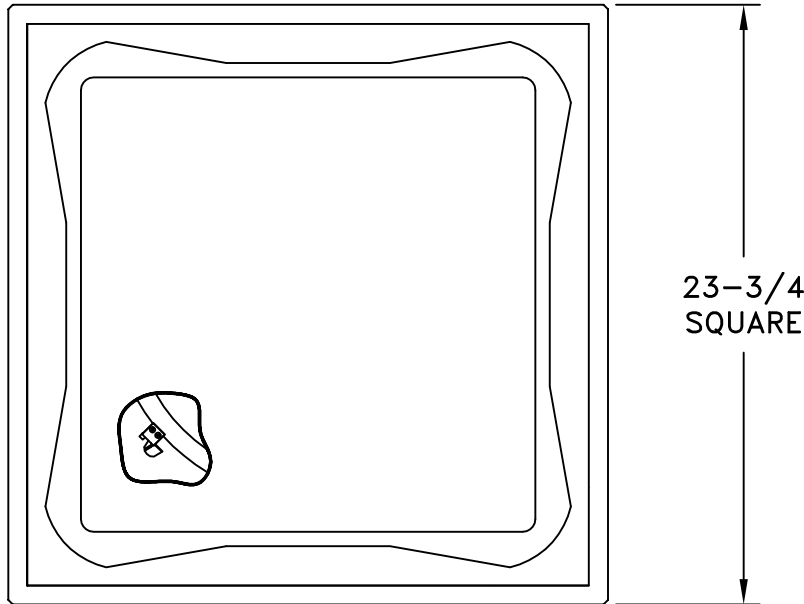


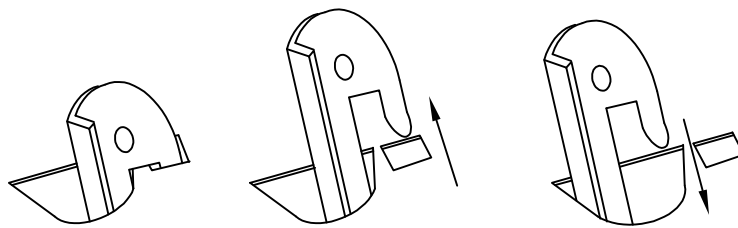
- ALL STEEL CONSTRUCTION
- FITS STANDARD 2' X 2' T-BAR CEILING SYSTEMS
- AVAILABLE IN 6-14 INCH FIXED COLLAR SIZES
- REMOVABLE FACE PLATE 360° PATTERN DELIVERY
- 800-DO STEEL BUTTERFLY DAMPER (PLATE MUST BE REMOVED)
- 360° PATTERN DELIVERY
- FINISH: WHITE (W) ENAMEL



REMOVING FACE PLATE:

1. REMOVE BLACK PUSH PINS FROM HOOKS.
2. PUSH THE FACE PLATE TOWARDS THE BACK PANEL. THIS WILL DIS-ENGAGE THE HOOKS FROM THE BACKSIDE PANEL SLOTS (DETAIL A).
3. ROTATE THE FACE PLATE COUNTER-CLOCKWISE AND PULL PLATE AWAY FROM BACK PANEL AND HOOKS THRU THE SLOTS.

SIZE	A O.D.
6	5-7/8
8	7-7/8
10	9-7/8
12	11-7/8
14	13-7/8



DETAIL A

JOB NAME: _____
 LOCATION: _____
 ARCHITECT: _____
 ENGINEER: _____
 CONTRACTOR: _____

SUBMITTED BY: _____

DATE: 07/29/2014 AM-1301FP

1301FP
 Steel T-BAR
 Detachable Plate Diffuser