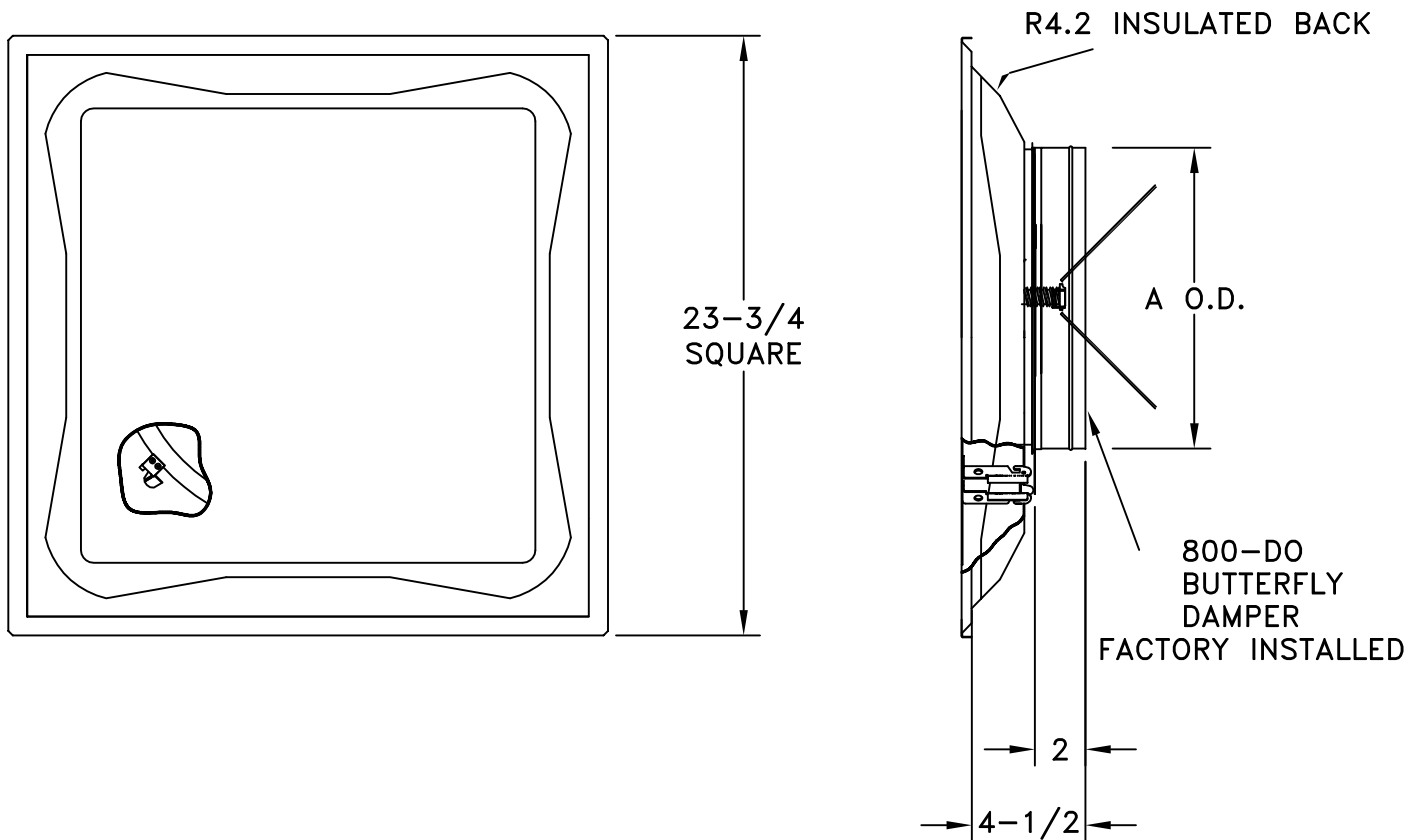
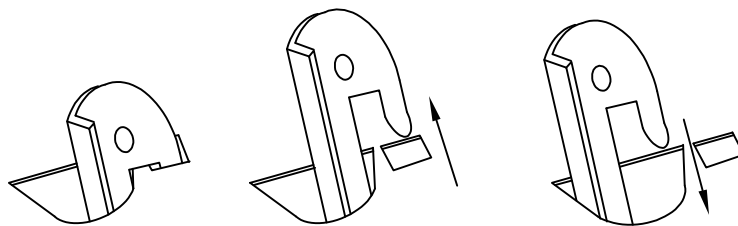


- ALL STEEL CONSTRUCTION
- FITS STANDARD 2' X 2' T-BAR CEILING SYSTEMS
- AVAILABLE IN 6-14 INCH FIXED COLLAR SIZES
- REMOVABLE FACE PLATE 360° PATTERN DELIVERY
- 800-DO STEEL BUTTERFLY DAMPER (PLATE MUST BE REMOVED)
- R4.2 MOLDED INSULATED BACK
- FINISH: WHITE (W) ENAMEL



### REMOVING FACE PLATE:

1. REMOVE BLACK PUSH PINS FROM HOOKS.
2. PUSH THE FACE PLATE TOWARDS THE BACK PANEL. THIS WILL DIS-ENGAGE THE HOOKS FROM THE BACKSIDE PANEL SLOTS (DETAIL A).
3. ROTATE THE FACE PLATE COUNTER-CLOCKWISE AND PULL PLATE AWAY FROM BACK PANEL AND HOOKS THRU THE SLOTS.



DETAIL A

SIZE	A O.D.
6	5-7/8
8	7-7/8
10	9-7/8
12	11-7/8
14	13-7/8

JOB NAME: \_\_\_\_\_  
 LOCATION: \_\_\_\_\_  
 ARCHITECT: \_\_\_\_\_  
 ENGINEER: \_\_\_\_\_  
 CONTRACTOR: \_\_\_\_\_

SUBMITTED BY: \_\_\_\_\_

DATE: 07/29/2014 | AM-1301FP-INS

**1301FP-INS**  
 Steel T-BAR  
 Detachable Plate Diffuser  
 WITH R4.2 INSULATED BACK